



CAST BRONZE BEARINGS

**CONTINUOUS AND CENTRIFUGAL
CAST BRONZE BAR AND WEARPLATE**

POWDERED METAL PRODUCTS

CUSTOM MACHINED PRODUCTS

LUBE-ALIGN[®] MOUNTED BEARINGS

PERMANENT MOLD CAST PRODUCTS

ENGINEERED PLASTIC BEARINGS

BUNTING GREEN PRODUCTS

We Manufacture • Stock • Distribute

Bunting Bearings manufacture a complete range of Bearings and Cast Materials all of which are made to the highest standards to optimize your products' performance.



Bunting Bearings, LLC was established in 1907. Bunting combines into one source its experience generated by over a century of producing quality products for many industries.

Bunting has supplied and continues to provide quality engineered solutions to a wide range of industries. Bunting manufactures a complete range of bearings and cast materials, all of which are made to the highest standards to optimize the performance of your equipment.

If you are purchasing cast bronze bar stock, or fully machined bearings, you can be sure you are buying a quality product made in the USA. This guarantee also applies to our powdered metal, metal composite and engineered plastic bearing products.

A large number of OEM's, the U.S. Military and the aviation industry trust Bunting to produce a quality approved product on time at a competitive price.

Bunting products are sold direct as well as through a nationwide network of distributors and metal service centers. The Bunting direct sales team and representatives are always available to help you make the correct material/bearing decision.

On the following pages, you will find Bunting's standard cast and powdered metal products tabled for your convenience. It is good to remember that Bunting can and does produce a large range of customer specific products. Bunting is also able to produce over 100 different alloys not listed in this catalog.

Bunting has maintained certification to ISO 9001 through QMI-SAI Global since April 2005. All of the manufacturing facilities are covered under one corporate certificate making the Quality Management System uniform.

Material traceability is second to none with the casting facilities each having full metallurgical lab facilities capable of chemical and physical testing, as well as hardness testing and metallurgical examination. Material can be certified to ASTM Specifications including B22, B148, B271, B369, B427, B505, B584, B763, B770, and B806 as well as AMS, SAE, QQC, Military specifications and special customer specifications.

Chemical and physical certifications including density, porosity and radial crush strength to MIL-B-5687, ASTM B438, ASTM B439, AMS 4805 and special customer specifications are also available from Bunting's powdered metal facility.

Bunting's inspection and testing capabilities also include final inspection to ANSI/ASQC Z1.4 using a full complement of precision gages including coordinate measuring machines and digital optical comparators.

For a nominal charge, certifications for chemical composition and physical properties can be included with your shipment.



Table of Contents:

Bunting® Products

Introduction.....	Front Inside Cover
PV Data Chart.....	3-5
Cast Bronze Bearings	6-32
Sleeve (Plain).....	8-25
Metric Sleeve (Plain)	26-27
Metric Flanged	28-30
Grooving and Graphiting Standard Bearings	31-32
Custom Machined Products	33
C93200 Continuous Cast Bar, Wearplate and Centrifugal Cast Bronze Bar.....	34-46
Solid Bronze Bars	35
Cored Bronze Bars.....	36-41
Bronze Wearplate.....	42
Centrifugal Cast Bronze Bars.....	43-46
C89835 Continuous Cast and Centrifugal Cast Bronze Bar.....	47-52
Solid Bronze Bars	48
Cored Bronze Bars.....	48
Centrifugal Cast Bronze Bars.....	49-52
C93700 Continuous Cast and Centrifugal Cast Bronze Bar.....	53-58
Solid Bronze Bars	54
Cored Bronze Bars.....	54
Centrifugal Cast Bronze Bars.....	55-58
C93800 Continuous Cast and Centrifugal Cast Bronze Bar.....	59-64
Solid Bronze Bars	60
Cored Bronze Bars.....	60
Centrifugal Cast Bronze Bars.....	61-64
C90300 Continuous Cast and Centrifugal Cast Bronze Bar.....	65-70
Solid Bronze Bars	66
Centrifugal Cast Bronze Bars.....	66-70
C90700 Continuous Cast and Centrifugal Cast Bronze Bar.....	71-76
Solid Bronze Bars	72
Centrifugal Cast Bronze Bars.....	72-76
C86300 Continuous Cast and Centrifugal Cast Manganese Bronze Bar	77-82
Solid Manganese Bronze Bars.....	78
Cored Manganese Bronze Bars	78
Centrifugal Cast Manganese Bronze Bars.....	79-82
C95400 Continuous Cast Bar, Wearplate and Centrifugal Cast Aluminum Bronze Bar	83-94
Solid Aluminum Bronze Bars.....	84
Cored Aluminum Bronze Bars.....	85-87
Aluminum Bronze Wearplate.....	88-90
Centrifugal Cast Aluminum Bronze Bars.....	91-94
C95500 Continuous Cast and Centrifugal Cast Aluminum Bronze Bar	95-100
Solid Aluminum Bronze Bars.....	96
Cored Aluminum Bronze Bars.....	96
Centrifugal Cast Aluminum Bronze Bars.....	97-100
C95900 Continuous Cast Aluminum Bronze Bar and Wearplate	101-102
Solid Aluminum Bronze Bars.....	101
Aluminum Bronze Wearplate.....	102
Powdered Metal Products.....	103-222
Powdered Metal Structural Parts	104
Sleeve (Plain) Bearings.....	109-139
Flanged Bearings.....	140-147

Table of Contents:

Bunting® Products

Powdered Metal Products (Continued)

Thrust Washers	148-150
Metric Sleeve (Plain) Bearings	151-154
Metric Flanged Bearings	155-156
Extra Sleeve (Plain) Bearings	157-170
Extra Flanged Bearings.....	171-173
Extra Thrust Washers.....	174
ECO Sleeve (Plain) Bearings.....	175-188
ECO Flanged Bearings	189-191
ECO Thrust Washers	192
Dri-Plane® Sleeve (Plain) Bearings	193-206
Dri-Plane® Flanged Bearings.....	207-209
Dri-Plane® Thrust Washers.....	210
BB-16® Sleeve (Plain) Bearings	211-214
BB-16® Flanged Bearings.....	215
BB-16® Thrust Washers.....	216
Powdered Metal Cored Bars	217-218
Powdered Metal Solid Bars.....	219
Powdered Metal Circular Discs	219
Powdered Metal Plate	220
SAE 863 Powdered Metal Iron Copper Solid Bar	221
SAE 863 Powdered Metal Iron Copper Cored Bar.....	221
Lube-Align® Mounted Bearings.....	222-226
Standard Mounting.....	223
2 Bolt Flanged Mounting	224
3 Bolt Flanged Mounting	225
Bore Mounting	226
Lube-Align® Platinum Mounted Bearings.....	227-231
Standard Mounting.....	228
2 Bolt Flanged Mounting	229
3 Bolt Flanged Mounting	230
Bore Mounting.....	231
Engineered Plastic Bearings.....	232-262
Nylon Sleeve (Plain) Bearings	233-234
Nylon Flanged Bearings.....	235-236
Nylon Thrust Washers.....	237
PTFE Bearings and Bars (JLON 2100, 4200, 5500 and 7000).....	238-247
PTFE Composite BNW Sleeve (Plain) Bearings	248-251
BPT Teflon® Composite Sleeve (Plain) Bearings	252-253
BTCW and BTCWW PTFE Composite Thrust Washers	254
“BU” Dry Lubricant Bearings	255-259
VESPEL® Precision Machined Bearings	260-262
Permanent Mold Cast Products	263-264
ECO Products	265
Bunting History.....	Inside Back Cover
Manufacturing and Service Centers	Back Cover

Information contained in this publication should be used as a guideline for your information and verification. This information does not constitute a warranty, and we assume no legal obligation or responsibility with respect to or the use of information contained herein.

Registered Trademarks

Bunting®, Lube-Align®, Dri-Plane®, BB-16®, VESPEL®, Teflon®

PV CALCULATION

PV is a means of measuring the performance capabilities of bearings.

P is expressed as pressure or pounds per square inch on the projected area of the bearing. V is velocity in feet per minute of the wear surface (surface feet per minute).

For sleeve (plain) bearings, the surface speed is $0.262 (\pi \div 12) \times \text{RPM} \times \text{shaft diameter in inches}$. P is equal to the load on the bearing in pounds divided by the projected area in square inches. For sleeve (plain) bearings, the projected area is the length x the inside diameter of the bearing.

PV is then obtained by multiplying P x V as shown in the following example:

3/4" shaft @ 341 RPM, 90 lb. total load, bearing length 1".

$V = 0.262 \times \text{RPM} \times \text{shaft diameter}$, or $0.262 \times 341 \times 0.750 = 67$ sfpm.

$P = \text{total load} \div \text{projected area}$ (area = $0.750 \times 1.0 = .75$ sq. in.), or $90 \text{ lbs.} \div 0.75 = 120$ psi.

$PV = 120 \text{ psi} \times 67 \text{ sfpm} = 8040$ PV.

Bunting Bearings PV Data Chart

	P VALUE (MAX)	V VALUE (MAX)	PV VALUE (MAX)
Cast Bronze C93200 Sleeve (Plain) Bearings	4,000	750	75,000
Cast Bronze C93200 Sleeve (Plain) Metric Bearings	4,000	750	75,000
Cast Bronze C93200 Flanged Metric Bearings	4,000	750	75,000
C93200 Solid Bronze Bars	4,000	750	75,000
C93200 Cored Bronze Bars	4,000	750	75,000
C93200 Centrifugal Bronze Bars	4,000	750	75,000
C93200 Bronze Wearplate	4,000	750	75,000
C89835 Solid Bronze Bars	4,000	500	75,000
C89835 Cored Bronze Bars	4,000	500	75,000
C89835 Centrifugal Bronze Bars	4,000	500	75,000
C93700 Solid Bronze Bars	4,000	1,000	85,000
C93700 Cored Bronze Bars	4,000	1,000	85,000
C93700 Centrifugal Bronze Bars	4,000	1,000	85,000
C93800 Solid Bronze Bars	2,500	1,000	75,000
C93800 Cored Bronze Bars	2,500	1,000	75,000
C93800 Centrifugal Bronze Bars	2,500	1,000	75,000
C90300 Solid Bronze Bars	5,000	250	90,000
C90300 Centrifugal Bronze Bars	5,000	250	90,000
C90700 Solid Bronze Bars	5,000	250	100,000
C90700 Centrifugal Bronze Bars	5,000	250	100,000
C86300 Solid Manganese Bronze Bars	8,000	150	150,000
C86300 Cored Manganese Bronze Bars	8,000	150	150,000
C86300 Centrifugal Manganese Bronze Bars	8,000	150	150,000
C95400 Solid Aluminum Bronze Bars	6,000	250	125,000
C95400 Cored Aluminum Bronze Bars	6,000	250	125,000
C95400 Centrifugal Aluminum Bronze Bars	6,000	250	125,000
C95400 Aluminum Bronze Wearplate	6,000	250	125,000

	P VALUE (MAX)	V VALUE (MAX)	PV VALUE (MAX)
C95500 Solid Aluminum Bronze Bars	7,000	300	135,000
C95500 Cored Aluminum Bronze Bars	7,000	300	135,000
C95500 Centrifugal Aluminum Bronze Bars	7,000	300	135,000
C95900 Solid Aluminum Bronze Bars	8,000	100	150,000
C95900 Aluminum Bronze Wearplate	8,000	100	150,000
Powdered Metal Sleeve (Plain) Bearings	2,000	1,200	50,000
Powdered Metal Sleeve (Plain) Metric Bearings	2,000	1,200	50,000
Powdered Metal Flanged Bearings	2,000	1,200	50,000
Powdered Metal Flanged Metric Bearings	2,000	1,200	50,000
Powdered Metal Thrust Washers	2,000	1,200	50,000
Powdered Metal Extra Sleeve (Plain) Bearings	2,000	1,200	50,000
Powdered Metal Extra Flanged Bearings	2,000	1,200	50,000
Powdered Metal Extra Thrust Washers	2,000	1,200	50,000
Powdered Metal ECO Sleeve (Plain) Bearings	2,000	1,200	50,000
Powdered Metal ECO Flanged Bearings	2,000	1,200	50,000
Powdered Metal ECO Thrust Washers	2,000	1,200	50,000
Powdered Metal Dri-Plane® Sleeve (Plain) Bearings	1,600	1,000	40,000
Powdered Metal Dri-Plane® Flanged Bearings	1,600	1,000	40,000
Powdered Metal Dri-Plane® Thrust Washers	1,600	1,000	40,000
Powdered Metal BB-16® Sleeve (Plain) Bearings	8,000	35	75,000
Powdered Metal BB-16® Flanged Bearings	8,000	35	75,000
Powdered Metal BB-16® Thrust Washers	8,000	35	75,000
Powdered Metal Cored Bars	2,000	1,200	50,000
Powdered Metal Solid Bars	2,000	1,200	50,000
Powdered Metal Circular Discs	2,000	1,200	50,000
Powdered Metal Plate	1,600	1,000	40,000
Powdered Metal Iron Copper Solid Bar	4,000	225	35,000
Powdered Metal Iron Copper Cored Bar	4,000	225	35,000
Lube-Align® Platinum Standard	2,000	1,200	50,000
Lube-Align® Platinum 2-Bolt Flanged	2,000	1,200	50,000
Lube-Align® Platinum 3-Bolt Flanged	2,000	1,200	50,000
Lube-Align® Platinum Bore Mounting	2,000	1,200	50,000
Lube-Align® Standard	2,000	1,200	50,000
Lube-Align® 2-Bolt Flanged	2,000	1,200	50,000
Lube-Align® 3-Bolt Flanged	2,000	1,200	50,000
Lube-Align® Bore Mounting	2,000	1,200	50,000
Nylon Sleeve (Plain) Bearings	400	360	3,000
Nylon Flanged Bearings	400	360	3,000
Nylon Thrust Washers	400	360	3,000
PTFE BJ2S Sleeve (Plain) Bearings	1,100	400	30,000
PTFE BJ4S Sleeve (Plain) Bearings	1,100	400	30,000
PTFE BJ5S Sleeve (Plain) Bearings	800	400	20,000
PTFE BJ7S Sleeve (Plain) Bearings	1,050	400	40,000
PTFE BJ2F Flanged Bearings	1,100	400	30,000
PTFE BJ4F Flanged Bearings	1,100	400	30,000
PTFE BJ5F Flanged Bearings	800	400	20,000
PTFE BJ7F Flanged Bearings	1,050	400	40,000
PTFE BJ2T Thrust Washers	1,100	400	30,000

	P VALUE (MAX)	V VALUE (MAX)	PV VALUE (MAX)
PTFE BJ4T Thrust Washers	1,100	400	30,000
PTFE BJ5T Thrust Washers	800	400	20,000
PTFE BJ2B Solid Bars	1,100	400	30,000
PTFE BJ4B Solid Bars	1,100	400	30,000
PTFE BJ5B Solid Bars	800	400	20,000
PTFE BJ7B Solid Bars	1,050	400	40,000
PTFE BJ Liner Bearings	1,500	400	20,000
PTFE Composite BNW Sleeve (Plain) Bearings	30,450	19.6	79,500
Teflon® Composite BPT Sleeve (Plain) Bearings	20,000	500	34,200
PTFE Composite Thrust Washers 0.074"	15,000	150	10,000
PTFE Composite Thrust Washers 0.078"	15,000	150	10,000
BU Sleeve (Plain) Bearings INCH	36,250	1,000	51,000
BU Sleeve (Plain) Bearings METRIC	36,250	1,000	51,000
VESPEL® Sleeve (Plain) Bearings	4,900	3,000	300,000
VESPEL® Flanged Bearings	4,900	3,000	300,000
VESPEL® Thrust Bearings	4,900	3,000	300,000

All values are based on 72° room temperature and the standard lubricant for the bearing in question. All of the V's (and therefore the PV's) can be raised by special lubricating techniques.

Cast Bronze C93200 (SAE 660) Sleeve (Plain) Bearings

Bunting cast bronze bearings are machined from continuous cast C93200 (SAE 660) bronze for superior quality and performance. The continuous casting process assures a uniform bronze structure throughout the bearing, free from porosity and hard particle inclusions commonly found in other cast processes.

Our standard bearing line features over 900 sizes that are carried in stock at Bunting and our Authorized Distributors. These standards provide off-the-shelf economy for most applications, and may be easily resized, oil grooved, or graphited to meet special requirements.

We also offer in addition to standard sleeve (plain) bearings...

- Machined to print bearings
- Precision finished bearings
- Grease or oil grooved bearings
- Graphite-filled grooved bearings
- Graphite-filled plug type bearings
- Special alloy bearings

Temperature range: -450°F/+500°F



C93200 Cast Bronze Bearing Engineering Data

High-Leaded Tin Bronze

CDA 932

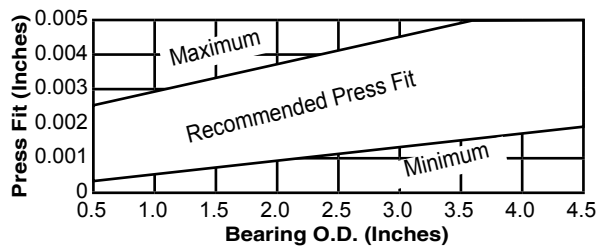
SAE 660

83-7-7-3

ASTM B505

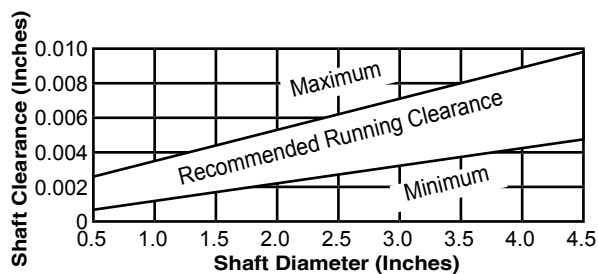
Press Fit

Less than normal press fit proves satisfactory: (1) if the bearing is long and the wall is not exceptionally thin and (2) if the bearing is also carrying a moderate load exerted only in one direction.



Clearance

Greater than normal clearance must be allowed: (1) if exceptionally high speed is involved or (2) if higher than normal loading is encountered.



Typical Properties: (Not to be used for specification purposes.)

Copper.....	81.00 – 85.00%
Tin.....	6.25 – 7.50%
Lead.....	6.00 – 8.00%
Zinc.....	2.00 – 4.00%

Physical Properties:

Tensile Strength, PSI.....	35,000 min.
Yield Strength, PSI.....	20,000 min.
Elongation.....	10% min.

Brinell Hardness (500 kg load).....	65 typical
Machinability Rating.....	70
Minimum Operating Temperature.....	-450°F
Maximum Operating Temperature.....	+500°F

C93200 is a general purpose bearing, bushing and washer material with good anti-frictional properties, moderate load-carrying ability and good machinability.



Cast Bronze C93200 (SAE 660) Sleeve (Plain) Bearings

PART NUMBER	NOMINAL SIZES			I.D. Min.	I.D. Max.	O.D. Min.	O.D. Max.	LENGTH ±0.005"
	I.D.		O.D.					
CB030504	3/16	x	5/16	0.1865	0.1885	0.3145	0.3155	1/2
CB030506	3/16	x	5/16	0.1865	0.1885	0.3145	0.3155	3/4
CB030508	3/16	x	5/16	0.1865	0.1885	0.3145	0.3155	1
CB040602	1/4	x	3/8	0.2490	0.2510	0.3770	0.3780	1/4
CB040603	1/4	x	3/8	0.2490	0.2510	0.3770	0.3780	3/8
CB040604	1/4	x	3/8	0.2490	0.2510	0.3770	0.3780	1/2
CB040606	1/4	x	3/8	0.2490	0.2510	0.3770	0.3780	3/4
CB040608	1/4	x	3/8	0.2490	0.2510	0.3770	0.3780	1
CB040610	1/4	x	3/8	0.2490	0.2510	0.3770	0.3780	1 1/4
CB040706	1/4	x	7/16	0.2490	0.2510	0.4395	0.4405	3/4
CB040708	1/4	x	7/16	0.2490	0.2510	0.4395	0.4405	1
CB040710	1/4	x	7/16	0.2490	0.2510	0.4395	0.4405	1 1/4
CB050703	5/16	x	7/16	0.3115	0.3135	0.4395	0.4405	3/8
CB050704	5/16	x	7/16	0.3115	0.3135	0.4395	0.4405	1/2
CB050706	5/16	x	7/16	0.3115	0.3135	0.4395	0.4405	3/4
CB050708	5/16	x	7/16	0.3115	0.3135	0.4395	0.4405	1
CB050710	5/16	x	7/16	0.3115	0.3135	0.4395	0.4405	1 1/4
CB050806	5/16	x	1/2	0.3115	0.3135	0.5020	0.5030	3/4
CB050808	5/16	x	1/2	0.3115	0.3135	0.5020	0.5030	1
CB050810	5/16	x	1/2	0.3115	0.3135	0.5020	0.5030	1 1/4
CB060803	3/8	x	1/2	0.3740	0.3760	0.5020	0.5030	3/8
CB060804	3/8	x	1/2	0.3740	0.3760	0.5020	0.5030	1/2
CB060806	3/8	x	1/2	0.3740	0.3760	0.5020	0.5030	3/4
CB060808	3/8	x	1/2	0.3740	0.3760	0.5020	0.5030	1
CB060810	3/8	x	1/2	0.3740	0.3760	0.5020	0.5030	1 1/4
CB060812	3/8	x	1/2	0.3740	0.3760	0.5020	0.5030	1 1/2
CB060906	3/8	x	9/16	0.3740	0.3760	0.5645	0.5655	3/4
CB060908	3/8	x	9/16	0.3740	0.3760	0.5645	0.5655	1
CB060910	3/8	x	9/16	0.3740	0.3760	0.5645	0.5655	1 1/4
CB061006	3/8	x	5/8	0.3740	0.3760	0.6270	0.6280	3/4
CB061008	3/8	x	5/8	0.3740	0.3760	0.6270	0.6280	1
CB061010	3/8	x	5/8	0.3740	0.3760	0.6270	0.6280	1 1/4
CB061012	3/8	x	5/8	0.3740	0.3760	0.6270	0.6280	1 1/2
CB070908	7/16	x	9/16	0.4365	0.4385	0.5645	0.5655	1
CB070910	7/16	x	9/16	0.4365	0.4385	0.5645	0.5655	1 1/4
CB070912	7/16	x	9/16	0.4365	0.4385	0.5645	0.5655	1 1/2
CB070914	7/16	x	9/16	0.4365	0.4385	0.5645	0.5655	1 3/4
CB070916	7/16	x	9/16	0.4365	0.4385	0.5645	0.5655	2
CB071008	7/16	x	5/8	0.4365	0.4385	0.6270	0.6280	1
CB071010	7/16	x	5/8	0.4365	0.4385	0.6270	0.6280	1 1/4
CB071012	7/16	x	5/8	0.4365	0.4385	0.6270	0.6280	1 1/2
CB071016	7/16	x	5/8	0.4365	0.4385	0.6270	0.6280	2
CB071112	7/16	x	11/16	0.4365	0.4385	0.6895	0.6905	1 1/2
CB071208	7/16	x	3/4	0.4365	0.4385	0.7520	0.7530	1
CB071210	7/16	x	3/4	0.4365	0.4385	0.7520	0.7530	1 1/4
CB071212	7/16	x	3/4	0.4365	0.4385	0.7520	0.7530	1 1/2
CB071312	7/16	x	13/16	0.4365	0.4385	0.8145	0.8155	1 1/2
CB081005	1/2	x	5/8	0.4990	0.5010	0.6270	0.6280	5/8
CB081006	1/2	x	5/8	0.4990	0.5010	0.6270	0.6280	3/4
CB081007	1/2	x	5/8	0.4990	0.5010	0.6270	0.6280	7/8
CB081008	1/2	x	5/8	0.4990	0.5010	0.6270	0.6280	1

*When current inventory is depleted, these sizes will be supplied on special order basis only. Minimum order quantities may apply.



Cast Bronze C93200 (SAE 660) Sleeve (Plain) Bearings

PART NUMBER	NOMINAL SIZES			I.D. Min.	I.D. Max.	O.D. Min.	O.D. Max.	LENGTH ±0.005"
	I.D.		O.D.					
CB081010	1/2	x	5/8	0.4990	0.5010	0.6270	0.6280	1 1/4
CB081011	1/2	x	5/8	0.4990	0.5010	0.6270	0.6280	1 3/8
CB081012	1/2	x	5/8	0.4990	0.5010	0.6270	0.6280	1 1/2
CB081014	1/2	x	5/8	0.4990	0.5010	0.6270	0.6280	1 3/4
CB081016	1/2	x	5/8	0.4990	0.5010	0.6270	0.6280	2
CB081018	1/2	x	5/8	0.4990	0.5010	0.6270	0.6280	2 1/4
CB081106	1/2	x	11/16	0.4990	0.5010	0.6895	0.6905	3/4
CB081108	1/2	x	11/16	0.4990	0.5010	0.6895	0.6905	1
CB081110	1/2	x	11/16	0.4990	0.5010	0.6895	0.6905	1 1/4
CB081112	1/2	x	11/16	0.4990	0.5010	0.6895	0.6905	1 1/2
CB081114	1/2	x	11/16	0.4990	0.5010	0.6895	0.6905	1 3/4
CB081116	1/2	x	11/16	0.4990	0.5010	0.6895	0.6905	2
CB081118	1/2	x	11/16	0.4990	0.5010	0.6895	0.6905	2 1/4
CB081120	1/2	x	11/16	0.4990	0.5010	0.6895	0.6905	2 1/2
CB081206	1/2	x	3/4	0.4990	0.5010	0.7520	0.7530	3/4
CB081208	1/2	x	3/4	0.4990	0.5010	0.7520	0.7530	1
CB081210	1/2	x	3/4	0.4990	0.5010	0.7520	0.7530	1 1/4
CB081212	1/2	x	3/4	0.4990	0.5010	0.7520	0.7530	1 1/2
CB081216	1/2	x	3/4	0.4990	0.5010	0.7520	0.7530	2
CB081218	1/2	x	3/4	0.4990	0.5010	0.7520	0.7530	2 1/4
CB081220	1/2	x	3/4	0.4990	0.5010	0.7520	0.7530	2 1/2
CB081222	1/2	x	3/4	0.4990	0.5010	0.7520	0.7530	2 3/4
CB081308	1/2	x	13/16	0.4990	0.5010	0.8145	0.8155	1
CB081312	1/2	x	13/16	0.4990	0.5010	0.8145	0.8155	1 1/2
CB081318	1/2	x	13/16	0.4990	0.5010	0.8145	0.8155	2 1/4
CB081408	1/2	x	7/8	0.4990	0.5010	0.8770	0.8780	1
CB081410	1/2	x	7/8	0.4990	0.5010	0.8770	0.8780	1 1/4
CB081412	1/2	x	7/8	0.4990	0.5010	0.8770	0.8780	1 1/2
CB081414	1/2	x	7/8	0.4990	0.5010	0.8770	0.8780	1 3/4
CB081416	1/2	x	7/8	0.4990	0.5010	0.8770	0.8780	2
CB081608	1/2	x	1	0.4990	0.5010	1.0020	1.0030	1
CB081612	1/2	x	1	0.4990	0.5010	1.0020	1.0030	1 1/2
CB081616	1/2	x	1	0.4990	0.5010	1.0020	1.0030	2
CB081618	1/2	x	1	0.4990	0.5010	1.0020	1.0030	2 1/4
CB091108	9/16	x	11/16	0.5615	0.5635	0.6895	0.6905	1
CB091110	9/16	x	11/16	0.5615	0.5635	0.6895	0.6905	1 1/4
CB091112	9/16	x	11/16	0.5615	0.5635	0.6895	0.6905	1 1/2
CB091114	9/16	x	11/16	0.5615	0.5635	0.6895	0.6905	1 3/4
CB091116	9/16	x	11/16	0.5615	0.5635	0.6895	0.6905	2
CB091118*	9/16	x	11/16	0.5615	0.5635	0.6895	0.6905	2 1/4
CB091120	9/16	x	11/16	0.5615	0.5635	0.6895	0.6905	2 1/2
CB091208	9/16	x	3/4	0.5615	0.5635	0.7520	0.7530	1
CB091210	9/16	x	3/4	0.5615	0.5635	0.7520	0.7530	1 1/4
CB091212	9/16	x	3/4	0.5615	0.5635	0.7520	0.7530	1 1/2
CB091214	9/16	x	3/4	0.5615	0.5635	0.7520	0.7530	1 3/4
CB091216	9/16	x	3/4	0.5615	0.5635	0.7520	0.7530	2
CB091218	9/16	x	3/4	0.5615	0.5635	0.7520	0.7530	2 1/4
CB091220	9/16	x	3/4	0.5615	0.5635	0.7520	0.7530	2 1/2
CB091308*	9/16	x	13/16	0.5615	0.5635	0.8145	0.8155	1
CB091310	9/16	x	13/16	0.5615	0.5635	0.8145	0.8155	1 1/4
CB091312	9/16	x	13/16	0.5615	0.5635	0.8145	0.8155	1 1/2

*When current inventory is depleted, these sizes will be supplied on special order basis only. Minimum order quantities may apply.



Cast Bronze C93200 (SAE 660) Sleeve (Plain) Bearings

PART NUMBER	NOMINAL SIZES			I.D. Min.	I.D. Max.	O.D. Min.	O.D. Max.	LENGTH ±0.005"
	I.D.		O.D.					
CB091314	9/16	x	13/16	0.5615	0.5635	0.8145	0.8155	1 3/4
CB091316	9/16	x	13/16	0.5615	0.5635	0.8145	0.8155	2
CB091320*	9/16	x	13/16	0.5615	0.5635	0.8145	0.8155	2 1/2
CB091408	9/16	x	7/8	0.5615	0.5635	0.8770	0.8780	1
CB091412	9/16	x	7/8	0.5615	0.5635	0.8770	0.8780	1 1/2
CB091416	9/16	x	7/8	0.5615	0.5635	0.8770	0.8780	2
CB101204	5/8	x	3/4	0.6240	0.6260	0.7520	0.7530	1/2
CB101206	5/8	x	3/4	0.6240	0.6260	0.7520	0.7530	3/4
CB101208	5/8	x	3/4	0.6240	0.6260	0.7520	0.7530	1
CB101209	5/8	x	3/4	0.6240	0.6260	0.7520	0.7530	1 1/8
CB101210	5/8	x	3/4	0.6240	0.6260	0.7520	0.7530	1 1/4
CB101212	5/8	x	3/4	0.6240	0.6260	0.7520	0.7530	1 1/2
CB101214	5/8	x	3/4	0.6240	0.6260	0.7520	0.7530	1 3/4
CB101216	5/8	x	3/4	0.6240	0.6260	0.7520	0.7530	2
CB101218	5/8	x	3/4	0.6240	0.6260	0.7520	0.7530	2 1/4
CB101220	5/8	x	3/4	0.6240	0.6260	0.7520	0.7530	2 1/2
CB101224	5/8	x	3/4	0.6240	0.6260	0.7520	0.7530	3
CB101308	5/8	x	13/16	0.6240	0.6260	0.8145	0.8155	1
CB101310	5/8	x	13/16	0.6240	0.6260	0.8145	0.8155	1 1/4
CB101312	5/8	x	13/16	0.6240	0.6260	0.8145	0.8155	1 1/2
CB101314	5/8	x	13/16	0.6240	0.6260	0.8145	0.8155	1 3/4
CB101316	5/8	x	13/16	0.6240	0.6260	0.8145	0.8155	2
CB101318	5/8	x	13/16	0.6240	0.6260	0.8145	0.8155	2 1/4
CB101320	5/8	x	13/16	0.6240	0.6260	0.8145	0.8155	2 1/2
CB101404	5/8	x	7/8	0.6240	0.6260	0.8770	0.8780	1/2
CB101406	5/8	x	7/8	0.6240	0.6260	0.8770	0.8780	3/4
CB101408	5/8	x	7/8	0.6240	0.6260	0.8770	0.8780	1
CB101409	5/8	x	7/8	0.6240	0.6260	0.8770	0.8780	1 1/8
CB101410	5/8	x	7/8	0.6240	0.6260	0.8770	0.8780	1 1/4
CB101412	5/8	x	7/8	0.6240	0.6260	0.8770	0.8780	1 1/2
CB101414	5/8	x	7/8	0.6240	0.6260	0.8770	0.8780	1 3/4
CB101416	5/8	x	7/8	0.6240	0.6260	0.8770	0.8780	2
CB101418	5/8	x	7/8	0.6240	0.6260	0.8770	0.8780	2 1/4
CB101420	5/8	x	7/8	0.6240	0.6260	0.8770	0.8780	2 1/2
CB101424	5/8	x	7/8	0.6240	0.6260	0.8770	0.8780	3
CB101508	5/8	x	15/16	0.6240	0.6260	0.9395	0.9405	1
CB101512	5/8	x	15/16	0.6240	0.6260	0.9395	0.9405	1 1/2
CB101516	5/8	x	15/16	0.6240	0.6260	0.9395	0.9405	2
CB101520	5/8	x	15/16	0.6240	0.6260	0.9395	0.9405	2 1/2
CB101608	5/8	x	1	0.6240	0.6260	1.0020	1.0030	1
CB101612	5/8	x	1	0.6240	0.6260	1.0020	1.0030	1 1/2
CB101616	5/8	x	1	0.6240	0.6260	1.0020	1.0030	2
CB101618	5/8	x	1	0.6240	0.6260	1.0020	1.0030	2 1/4
CB101620	5/8	x	1	0.6240	0.6260	1.0020	1.0030	2 1/2
CB101624	5/8	x	1	0.6240	0.6260	1.0020	1.0030	3
CB101812	5/8	x	1 1/8	0.6240	0.6260	1.1270	1.1280	1 1/2
CB101816	5/8	x	1 1/8	0.6240	0.6260	1.1270	1.1280	2
CB101818	5/8	x	1 1/8	0.6240	0.6260	1.1270	1.1280	2 1/4
CB111308	11/16	x	13/16	0.6865	0.6885	0.8145	0.8155	1
CB111310	11/16	x	13/16	0.6865	0.6885	0.8145	0.8155	1 1/4
CB111312	11/16	x	13/16	0.6865	0.6885	0.8145	0.8155	1 1/2

*When current inventory is depleted, these sizes will be supplied on special order basis only. Minimum order quantities may apply.



Cast Bronze C93200 (SAE 660) Sleeve (Plain) Bearings

PART NUMBER	NOMINAL SIZES			I.D. Min.	I.D. Max.	O.D. Min.	O.D. Max.	LENGTH ±0.005"
	I.D.		O.D.					
CB111314	11/16	x	13/16	0.6865	0.6885	0.8145	0.8155	1 3/4
CB111316	11/16	x	13/16	0.6865	0.6885	0.8145	0.8155	2
CB111320	11/16	x	13/16	0.6865	0.6885	0.8145	0.8155	2 1/2
CB111408	11/16	x	7/8	0.6865	0.6885	0.8770	0.8780	1
CB111410	11/16	x	7/8	0.6865	0.6885	0.8770	0.8780	1 1/4
CB111412	11/16	x	7/8	0.6865	0.6885	0.8770	0.8780	1 1/2
CB111414*	11/16	x	7/8	0.6865	0.6885	0.8770	0.8780	1 3/4
CB111416	11/16	x	7/8	0.6865	0.6885	0.8770	0.8780	2
CB111418*	11/16	x	7/8	0.6865	0.6885	0.8770	0.8780	2 1/4
CB111420	11/16	x	7/8	0.6865	0.6885	0.8770	0.8780	2 1/2
CB111508	11/16	x	15/16	0.6865	0.6885	0.9395	0.9405	1
CB111510	11/16	x	15/16	0.6865	0.6885	0.9395	0.9405	1 1/4
CB111512*	11/16	x	15/16	0.6865	0.6885	0.9395	0.9405	1 1/2
CB111514*	11/16	x	15/16	0.6865	0.6885	0.9395	0.9405	1 3/4
CB111516*	11/16	x	15/16	0.6865	0.6885	0.9395	0.9405	2
CB111520*	11/16	x	15/16	0.6865	0.6885	0.9395	0.9405	2 1/2
CB111610	11/16	x	1	0.6865	0.6885	1.0020	1.0030	1 1/4
CB111618	11/16	x	1	0.6865	0.6885	1.0020	1.0030	2 1/4
CB111620	11/16	x	1	0.6865	0.6885	1.0020	1.0030	2 1/2
CB121406	3/4	x	7/8	0.7490	0.7510	0.8770	0.8780	3/4
CB121408	3/4	x	7/8	0.7490	0.7510	0.8770	0.8780	1
CB121410	3/4	x	7/8	0.7490	0.7510	0.8770	0.8780	1 1/4
CB121412	3/4	x	7/8	0.7490	0.7510	0.8770	0.8780	1 1/2
CB121414	3/4	x	7/8	0.7490	0.7510	0.8770	0.8780	1 3/4
CB121416	3/4	x	7/8	0.7490	0.7510	0.8770	0.8780	2
CB121418	3/4	x	7/8	0.7490	0.7510	0.8770	0.8780	2 1/4
CB121420	3/4	x	7/8	0.7490	0.7510	0.8770	0.8780	2 1/2
CB121508	3/4	x	15/16	0.7490	0.7510	0.9395	0.9405	1
CB121510	3/4	x	15/16	0.7490	0.7510	0.9395	0.9405	1 1/4
CB121511	3/4	x	15/16	0.7490	0.7510	0.9395	0.9405	1 3/8
CB121512	3/4	x	15/16	0.7490	0.7510	0.9395	0.9405	1 1/2
CB121514	3/4	x	15/16	0.7490	0.7510	0.9395	0.9405	1 3/4
CB121516	3/4	x	15/16	0.7490	0.7510	0.9395	0.9405	2
CB121518*	3/4	x	15/16	0.7490	0.7510	0.9395	0.9405	2 1/4
CB121520	3/4	x	15/16	0.7490	0.7510	0.9395	0.9405	2 1/2
CB121522	3/4	x	15/16	0.7490	0.7510	0.9395	0.9405	2 3/4
CB121524	3/4	x	15/16	0.7490	0.7510	0.9395	0.9405	3
CB121604	3/4	x	1	0.7490	0.7510	1.0020	1.0030	1/2
CB121606	3/4	x	1	0.7490	0.7510	1.0020	1.0030	3/4
CB121607	3/4	x	1	0.7490	0.7510	1.0020	1.0030	7/8
CB121608	3/4	x	1	0.7490	0.7510	1.0020	1.0030	1
CB121609	3/4	x	1	0.7490	0.7510	1.0020	1.0030	1 1/8
CB121610	3/4	x	1	0.7490	0.7510	1.0020	1.0030	1 1/4
CB121611	3/4	x	1	0.7490	0.7510	1.0020	1.0030	1 3/8
CB121612	3/4	x	1	0.7490	0.7510	1.0020	1.0030	1 1/2
CB121614	3/4	x	1	0.7490	0.7510	1.0020	1.0030	1 3/4
CB121615	3/4	x	1	0.7490	0.7510	1.0020	1.0030	1 7/8
CB121616	3/4	x	1	0.7490	0.7510	1.0020	1.0030	2
CB121617*	3/4	x	1	0.7490	0.7510	1.0020	1.0030	2 1/8
CB121618	3/4	x	1	0.7490	0.7510	1.0020	1.0030	2 1/4
CB121620	3/4	x	1	0.7490	0.7510	1.0020	1.0030	2 1/2

*When current inventory is depleted, these sizes will be supplied on special order basis only. Minimum order quantities may apply.



Cast Bronze C93200 (SAE 660) Sleeve (Plain) Bearings

PART NUMBER	NOMINAL SIZES			I.D. Min.	I.D. Max.	O.D. Min.	O.D. Max.	LENGTH ±0.005"
	I.D.		O.D.					
CB121622	3/4	x	1	0.7490	0.7510	1.0020	1.0030	2 3/4
CB121624	3/4	x	1	0.7490	0.7510	1.0020	1.0030	3
CB121628	3/4	x	1	0.7490	0.7510	1.0020	1.0030	3 1/2
CB121708	3/4	x	1 1/16	0.7490	0.7510	1.0645	1.0655	1
CB121712	3/4	x	1 1/16	0.7490	0.7510	1.0645	1.0655	1 1/2
CB121716	3/4	x	1 1/16	0.7490	0.7510	1.0645	1.0655	2
CB121718*	3/4	x	1 1/16	0.7490	0.7510	1.0645	1.0655	2 1/4
CB121720	3/4	x	1 1/16	0.7490	0.7510	1.0645	1.0655	2 1/2
CB121724	3/4	x	1 1/16	0.7490	0.7510	1.0645	1.0655	3
CB121808	3/4	x	1 1/8	0.7490	0.7510	1.1270	1.1280	1
CB121812	3/4	x	1 1/8	0.7490	0.7510	1.1270	1.1280	1 1/2
CB121816	3/4	x	1 1/8	0.7490	0.7510	1.1270	1.1280	2
CB121818*	3/4	x	1 1/8	0.7490	0.7510	1.1270	1.1280	2 1/4
CB121820	3/4	x	1 1/8	0.7490	0.7510	1.1270	1.1280	2 1/2
CB121824	3/4	x	1 1/8	0.7490	0.7510	1.1270	1.1280	3
CB121912	3/4	x	1 3/16	0.7490	0.7510	1.1895	1.1905	1 1/2
CB121916	3/4	x	1 3/16	0.7490	0.7510	1.1895	1.1905	2
CB122014	3/4	x	1 1/4	0.7490	0.7510	1.2520	1.2530	1 3/4
CB122016	3/4	x	1 1/4	0.7490	0.7510	1.2520	1.2530	2
CB122018	3/4	x	1 1/4	0.7490	0.7510	1.2520	1.2530	2 1/4
CB122020	3/4	x	1 1/4	0.7490	0.7510	1.2520	1.2530	2 1/2
CB122024	3/4	x	1 1/4	0.7490	0.7510	1.2520	1.2530	3
CB131508	13/16	x	15/16	0.8115	0.8135	0.9395	0.9405	1
CB131512	13/16	x	15/16	0.8115	0.8135	0.9395	0.9405	1 1/2
CB131516	13/16	x	15/16	0.8115	0.8135	0.9395	0.9405	2
CB131612	13/16	x	1	0.8115	0.8135	1.0020	1.0030	1 1/2
CB131614*	13/16	x	1	0.8115	0.8135	1.0020	1.0030	1 3/4
CB131616	13/16	x	1	0.8115	0.8135	1.0020	1.0030	2
CB131620	13/16	x	1	0.8115	0.8135	1.0020	1.0030	2 1/2
CB131712	13/16	x	1 1/16	0.8115	0.8135	1.0645	1.0655	1 1/2
CB131716	13/16	x	1 1/16	0.8115	0.8135	1.0645	1.0655	2
CB131720	13/16	x	1 1/16	0.8115	0.8135	1.0645	1.0655	2 1/2
CB131722*	13/16	x	1 1/16	0.8115	0.8135	1.0645	1.0655	2 3/4
CB131724	13/16	x	1 1/16	0.8115	0.8135	1.0645	1.0655	3
CB131812	13/16	x	1 1/8	0.8115	0.8135	1.1270	1.1280	1 1/2
CB131816	13/16	x	1 1/8	0.8115	0.8135	1.1270	1.1280	2
CB131920	13/16	x	1 3/16	0.8115	0.8135	1.1895	1.1905	2 1/2
CB131924*	13/16	x	1 3/16	0.8115	0.8135	1.1895	1.1905	3
CB141608	7/8	x	1	0.8740	0.8760	1.0020	1.0030	1
CB141610	7/8	x	1	0.8740	0.8760	1.0020	1.0030	1 1/4
CB141611	7/8	x	1	0.8740	0.8760	1.0020	1.0030	1 3/8
CB141612	7/8	x	1	0.8740	0.8760	1.0020	1.0030	1 1/2
CB141613	7/8	x	1	0.8740	0.8760	1.0020	1.0030	1 5/8
CB141616	7/8	x	1	0.8740	0.8760	1.0020	1.0030	2
CB141708	7/8	x	1 1/16	0.8740	0.8760	1.0645	1.0655	1
CB141710	7/8	x	1 1/16	0.8740	0.8760	1.0645	1.0655	1 1/4
CB141712	7/8	x	1 1/16	0.8740	0.8760	1.0645	1.0655	1 1/2
CB141714	7/8	x	1 1/16	0.8740	0.8760	1.0645	1.0655	1 3/4
CB141716	7/8	x	1 1/16	0.8740	0.8760	1.0645	1.0655	2
CB141718	7/8	x	1 1/16	0.8740	0.8760	1.0645	1.0655	2 1/4
CB141720	7/8	x	1 1/16	0.8740	0.8760	1.0645	1.0655	2 1/2

*When current inventory is depleted, these sizes will be supplied on special order basis only. Minimum order quantities may apply.



Cast Bronze C93200 (SAE 660) Sleeve (Plain) Bearings

PART NUMBER	NOMINAL SIZES			I.D. Min.	I.D. Max.	O.D. Min.	O.D. Max.	LENGTH ±0.005"
	I.D.		O.D.					
CB141724	7/8	x	1 1/16	0.8740	0.8760	1.0645	1.0655	3
CB141806	7/8	x	1 1/8	0.8740	0.8760	1.1270	1.1280	3/4
CB141808	7/8	x	1 1/8	0.8740	0.8760	1.1270	1.1280	1
CB141810	7/8	x	1 1/8	0.8740	0.8760	1.1270	1.1280	1 1/4
CB141811	7/8	x	1 1/8	0.8740	0.8760	1.1270	1.1280	1 3/8
CB141812	7/8	x	1 1/8	0.8740	0.8760	1.1270	1.1280	1 1/2
CB141814	7/8	x	1 1/8	0.8740	0.8760	1.1270	1.1280	1 3/4
CB141816	7/8	x	1 1/8	0.8740	0.8760	1.1270	1.1280	2
CB141818	7/8	x	1 1/8	0.8740	0.8760	1.1270	1.1280	2 1/4
CB141820	7/8	x	1 1/8	0.8740	0.8760	1.1270	1.1280	2 1/2
CB141824	7/8	x	1 1/8	0.8740	0.8760	1.1270	1.1280	3
CB141826	7/8	x	1 1/8	0.8740	0.8760	1.1270	1.1280	3 1/4
CB141828	7/8	x	1 1/8	0.8740	0.8760	1.1270	1.1280	3 1/2
CB141908	7/8	x	1 3/16	0.8740	0.8760	1.1895	1.1905	1
CB141910	7/8	x	1 3/16	0.8740	0.8760	1.1895	1.1905	1 1/4
CB141912	7/8	x	1 3/16	0.8740	0.8760	1.1895	1.1905	1 1/2
CB141916	7/8	x	1 3/16	0.8740	0.8760	1.1895	1.1905	2
CB141920*	7/8	x	1 3/16	0.8740	0.8760	1.1895	1.1905	2 1/2
CB141924	7/8	x	1 3/16	0.8740	0.8760	1.1895	1.1905	3
CB142012	7/8	x	1 1/4	0.8740	0.8760	1.2520	1.2530	1 1/2
CB142014	7/8	x	1 1/4	0.8740	0.8760	1.2520	1.2530	1 3/4
CB142016	7/8	x	1 1/4	0.8740	0.8760	1.2520	1.2530	2
CB142018	7/8	x	1 1/4	0.8740	0.8760	1.2520	1.2530	2 1/4
CB142020	7/8	x	1 1/4	0.8740	0.8760	1.2520	1.2530	2 1/2
CB142024	7/8	x	1 1/4	0.8740	0.8760	1.2520	1.2530	3
CB142028	7/8	x	1 1/4	0.8740	0.8760	1.2520	1.2530	3 1/2
CB142032	7/8	x	1 1/4	0.8740	0.8760	1.2520	1.2530	4
CB142212	7/8	x	1 3/8	0.8740	0.8760	1.3770	1.3780	1 1/2
CB142214	7/8	x	1 3/8	0.8740	0.8760	1.3770	1.3780	1 3/4
CB142216	7/8	x	1 3/8	0.8740	0.8760	1.3770	1.3780	2
CB142220	7/8	x	1 3/8	0.8740	0.8760	1.3770	1.3780	2 1/2
CB142224	7/8	x	1 3/8	0.8740	0.8760	1.3770	1.3780	3
CB151812	15/16	x	1 1/8	0.9365	0.9385	1.1270	1.1280	1 1/2
CB151816	15/16	x	1 1/8	0.9365	0.9385	1.1270	1.1280	2
CB151820	15/16	x	1 1/8	0.9365	0.9385	1.1270	1.1280	2 1/2
CB151910	15/16	x	1 3/16	0.9365	0.9385	1.1895	1.1905	1 1/4
CB151912*	15/16	x	1 3/16	0.9365	0.9385	1.1895	1.1905	1 1/2
CB151916	15/16	x	1 3/16	0.9365	0.9385	1.1895	1.1905	2
CB151918*	15/16	x	1 3/16	0.9365	0.9385	1.1895	1.1905	2 1/4
CB151924	15/16	x	1 3/16	0.9365	0.9385	1.1895	1.1905	3
CB152008	15/16	x	1 1/4	0.9365	0.9385	1.2520	1.2530	1
CB152012	15/16	x	1 1/4	0.9365	0.9385	1.2520	1.2530	1 1/2
CB152016	15/16	x	1 1/4	0.9365	0.9385	1.2520	1.2530	2
CB152020	15/16	x	1 1/4	0.9365	0.9385	1.2520	1.2530	2 1/2
CB152022	15/16	x	1 1/4	0.9365	0.9385	1.2520	1.2530	2 3/4
CB152112	15/16	x	1 5/16	0.9365	0.9385	1.3145	1.3155	1 1/2
CB152116*	15/16	x	1 5/16	0.9365	0.9385	1.3145	1.3155	2
CB152124	15/16	x	1 5/16	0.9365	0.9385	1.3145	1.3155	3
CB161808	1	x	1 1/8	0.9990	1.0010	1.1270	1.1280	1
CB161811	1	x	1 1/8	0.9990	1.0010	1.1270	1.1280	1 3/8

*When current inventory is depleted, these sizes will be supplied on special order basis only. Minimum order quantities may apply.



Cast Bronze C93200 (SAE 660) Sleeve (Plain) Bearings

PART NUMBER	NOMINAL SIZES		I.D. Min.	I.D. Max.	O.D. Min.	O.D. Max.	LENGTH ±0.005"
	I.D.	O.D.					
CB161812	1	x 1 1/8	0.9990	1.0010	1.1270	1.1280	1 1/2
CB161814	1	x 1 1/8	0.9990	1.0010	1.1270	1.1280	1 3/4
CB161816	1	x 1 1/8	0.9990	1.0010	1.1270	1.1280	2
CB161820	1	x 1 1/8	0.9990	1.0010	1.1270	1.1280	2 1/2
CB161907	1	x 1 3/16	0.9990	1.0010	1.1895	1.1905	7/8
CB161908	1	x 1 3/16	0.9990	1.0010	1.1895	1.1905	1
CB161910	1	x 1 3/16	0.9990	1.0010	1.1895	1.1905	1 1/4
CB161912	1	x 1 3/16	0.9990	1.0010	1.1895	1.1905	1 1/2
CB161914	1	x 1 3/16	0.9990	1.0010	1.1895	1.1905	1 3/4
CB161916	1	x 1 3/16	0.9990	1.0010	1.1895	1.1905	2
CB161920	1	x 1 3/16	0.9990	1.0010	1.1895	1.1905	2 1/2
CB162006	1	x 1 1/4	0.9990	1.0010	1.2520	1.2530	3/4
CB162008	1	x 1 1/4	0.9990	1.0010	1.2520	1.2530	1
CB162009	1	x 1 1/4	0.9990	1.0010	1.2520	1.2530	1 1/8
CB162010	1	x 1 1/4	0.9990	1.0010	1.2520	1.2530	1 1/4
CB162011	1	x 1 1/4	0.9990	1.0010	1.2520	1.2530	1 3/8
CB162012	1	x 1 1/4	0.9990	1.0010	1.2520	1.2530	1 1/2
CB162013	1	x 1 1/4	0.9990	1.0010	1.2520	1.2530	1 5/8
CB162014	1	x 1 1/4	0.9990	1.0010	1.2520	1.2530	1 3/4
CB162015*	1	x 1 1/4	0.9990	1.0010	1.2520	1.2530	1 7/8
CB162016	1	x 1 1/4	0.9990	1.0010	1.2520	1.2530	2
CB162018	1	x 1 1/4	0.9990	1.0010	1.2520	1.2530	2 1/4
CB162020	1	x 1 1/4	0.9990	1.0010	1.2520	1.2530	2 1/2
CB162022	1	x 1 1/4	0.9990	1.0010	1.2520	1.2530	2 3/4
CB162024	1	x 1 1/4	0.9990	1.0010	1.2520	1.2530	3
CB162028	1	x 1 1/4	0.9990	1.0010	1.2520	1.2530	3 1/2
CB162030*	1	x 1 1/4	0.9990	1.0010	1.2520	1.2530	3 3/4
CB162032	1	x 1 1/4	0.9990	1.0010	1.2520	1.2530	4
CB162036	1	x 1 1/4	0.9990	1.0010	1.2520	1.2530	4 1/2
CB162112	1	x 1 5/16	0.9990	1.0010	1.3145	1.3155	1 1/2
CB162116	1	x 1 5/16	0.9990	1.0010	1.3145	1.3155	2
CB162118	1	x 1 5/16	0.9990	1.0010	1.3145	1.3155	2 1/4
CB162120	1	x 1 5/16	0.9990	1.0010	1.3145	1.3155	2 1/2
CB162124	1	x 1 5/16	0.9990	1.0010	1.3145	1.3155	3
CB162128	1	x 1 5/16	0.9990	1.0010	1.3145	1.3155	3 1/2
CB162130*	1	x 1 5/16	0.9990	1.0010	1.3145	1.3155	3 3/4
CB162208	1	x 1 3/8	0.9990	1.0010	1.3770	1.3780	1
CB162210	1	x 1 3/8	0.9990	1.0010	1.3770	1.3780	1 1/4
CB162212	1	x 1 3/8	0.9990	1.0010	1.3770	1.3780	1 1/2
CB162214	1	x 1 3/8	0.9990	1.0010	1.3770	1.3780	1 3/4
CB162216	1	x 1 3/8	0.9990	1.0010	1.3770	1.3780	2
CB162220	1	x 1 3/8	0.9990	1.0010	1.3770	1.3780	2 1/2
CB162222*	1	x 1 3/8	0.9990	1.0010	1.3770	1.3780	2 3/4
CB162224	1	x 1 3/8	0.9990	1.0010	1.3770	1.3780	3
CB162226*	1	x 1 3/8	0.9990	1.0010	1.3770	1.3780	3 1/4
CB162228*	1	x 1 3/8	0.9990	1.0010	1.3770	1.3780	3 1/2
CB162232	1	x 1 3/8	0.9990	1.0010	1.3770	1.3780	4
CB162236	1	x 1 3/8	0.9990	1.0010	1.3770	1.3780	4 1/2
CB162412	1	x 1 1/2	0.9990	1.0010	1.5020	1.5030	1 1/2
CB162414	1	x 1 1/2	0.9990	1.0010	1.5020	1.5030	1 3/4

*When current inventory is depleted, these sizes will be supplied on special order basis only. Minimum order quantities may apply.



Cast Bronze C93200 (SAE 660) Sleeve (Plain) Bearings

PART NUMBER	NOMINAL SIZES			I.D. Min.	I.D. Max.	O.D. Min.	O.D. Max.	LENGTH ±0.005"
	I.D.		O.D.					
CB162416	1	x	1 1/2	0.9990	1.0010	1.5020	1.5030	2
CB162420	1	x	1 1/2	0.9990	1.0010	1.5020	1.5030	2 1/2
CB162424	1	x	1 1/2	0.9990	1.0010	1.5020	1.5030	3
CB162432	1	x	1 1/2	0.9990	1.0010	1.5020	1.5030	4
CB162616	1	x	1 5/8	0.9990	1.0010	1.6270	1.6280	2
CB162620	1	x	1 5/8	0.9990	1.0010	1.6270	1.6280	2 1/2
CB162624	1	x	1 5/8	0.9990	1.0010	1.6270	1.6280	3
CB162628	1	x	1 5/8	0.9990	1.0010	1.6270	1.6280	3 1/2
CB162852	1	x	1 3/4	0.9990	1.0010	1.7520	1.7530	6 1/2
CB163224	1	x	2	0.9990	1.0010	2.0020	2.0030	3
CB163252	1	x	2	0.9990	1.0010	2.0020	2.0030	6 1/2
CB172112	1 1/16	x	1 5/16	1.0615	1.0635	1.3145	1.3155	1 1/2
CB172116	1 1/16	x	1 5/16	1.0615	1.0635	1.3145	1.3155	2
CB172120*	1 1/16	x	1 5/16	1.0615	1.0635	1.3145	1.3155	2 1/2
CB172124*	1 1/16	x	1 5/16	1.0615	1.0635	1.3145	1.3155	3
CB172128	1 1/16	x	1 5/16	1.0615	1.0635	1.3145	1.3155	3 1/2
CB172208	1 1/16	x	1 3/8	1.0615	1.0635	1.3770	1.3780	1
CB172216	1 1/16	x	1 3/8	1.0615	1.0635	1.3770	1.3780	2
CB172220	1 1/16	x	1 3/8	1.0615	1.0635	1.3770	1.3780	2 1/2
CB172320	1 1/16	x	1 7/16	1.0615	1.0635	1.4395	1.4405	2 1/2
CB172324	1 1/16	x	1 7/16	1.0615	1.0635	1.4395	1.4405	3
CB172332	1 1/16	x	1 7/16	1.0615	1.0635	1.4395	1.4405	4
CB182012	1 1/8	x	1 1/4	1.1240	1.1260	1.2520	1.2530	1 1/2
CB182014	1 1/8	x	1 1/4	1.1240	1.1260	1.2520	1.2530	1 3/4
CB182016	1 1/8	x	1 1/4	1.1240	1.1260	1.2520	1.2530	2
CB182118	1 1/8	x	1 5/16	1.1240	1.1260	1.3145	1.3155	2 1/4
CB182120	1 1/8	x	1 5/16	1.1240	1.1260	1.3145	1.3155	2 1/2
CB182208	1 1/8	x	1 3/8	1.1240	1.1260	1.3770	1.3780	1
CB182210	1 1/8	x	1 3/8	1.1240	1.1260	1.3770	1.3780	1 1/4
CB182212	1 1/8	x	1 3/8	1.1240	1.1260	1.3770	1.3780	1 1/2
CB182214	1 1/8	x	1 3/8	1.1240	1.1260	1.3770	1.3780	1 3/4
CB182216	1 1/8	x	1 3/8	1.1240	1.1260	1.3770	1.3780	2
CB182218	1 1/8	x	1 3/8	1.1240	1.1260	1.3770	1.3780	2 1/4
CB182220	1 1/8	x	1 3/8	1.1240	1.1260	1.3770	1.3780	2 1/2
CB182224	1 1/8	x	1 3/8	1.1240	1.1260	1.3770	1.3780	3
CB182226*	1 1/8	x	1 3/8	1.1240	1.1260	1.3770	1.3780	3 1/4
CB182228*	1 1/8	x	1 3/8	1.1240	1.1260	1.3770	1.3780	3 1/2
CB182232	1 1/8	x	1 3/8	1.1240	1.1260	1.3770	1.3780	4
CB182312	1 1/8	x	1 7/16	1.1240	1.1260	1.4395	1.4405	1 1/2
CB182320	1 1/8	x	1 7/16	1.1240	1.1260	1.4395	1.4405	2 1/2
CB182324	1 1/8	x	1 7/16	1.1240	1.1260	1.4395	1.4405	3
CB182328	1 1/8	x	1 7/16	1.1240	1.1260	1.4395	1.4405	3 1/2
CB182412	1 1/8	x	1 1/2	1.1240	1.1260	1.5020	1.5030	1 1/2
CB182416	1 1/8	x	1 1/2	1.1240	1.1260	1.5020	1.5030	2
CB182420	1 1/8	x	1 1/2	1.1240	1.1260	1.5020	1.5030	2 1/2
CB182424	1 1/8	x	1 1/2	1.1240	1.1260	1.5020	1.5030	3
CB182428	1 1/8	x	1 1/2	1.1240	1.1260	1.5020	1.5030	3 1/2
CB182432	1 1/8	x	1 1/2	1.1240	1.1260	1.5020	1.5030	4
CB182614	1 1/8	x	1 5/8	1.1240	1.1260	1.6270	1.6280	1 3/4
CB182616	1 1/8	x	1 5/8	1.1240	1.1260	1.6270	1.6280	2
CB182620	1 1/8	x	1 5/8	1.1240	1.1260	1.6270	1.6280	2 1/2

*When current inventory is depleted, these sizes will be supplied on special order basis only. Minimum order quantities may apply.



Cast Bronze C93200 (SAE 660) Sleeve (Plain) Bearings

PART NUMBER	NOMINAL SIZES		I.D. Min.	I.D. Max.	O.D. Min.	O.D. Max.	LENGTH ±0.005"
	I.D.	O.D.					
CB182624	1 1/8	x 1 5/8	1.1240	1.1260	1.6270	1.6280	3
CB182628*	1 1/8	x 1 5/8	1.1240	1.1260	1.6270	1.6280	3 1/2
CB182632	1 1/8	x 1 5/8	1.1240	1.1260	1.6270	1.6280	4
CB182636	1 1/8	x 1 5/8	1.1240	1.1260	1.6270	1.6280	4 1/2
CB183052	1 1/8	x 1 7/8	1.1240	1.1260	1.8770	1.8780	6 1/2
CB183224	1 1/8	x 2	1.1240	1.1260	2.0020	2.0030	3
CB183244*	1 1/8	x 2	1.1240	1.1260	2.0020	2.0030	5 1/2
CB192214	1 3/16	x 1 3/8	1.1865	1.1885	1.3770	1.3780	1 3/4
CB192216	1 3/16	x 1 3/8	1.1865	1.1885	1.3770	1.3780	2
CB192220	1 3/16	x 1 3/8	1.1865	1.1885	1.3770	1.3780	2 1/2
CB192310	1 3/16	x 1 7/16	1.1865	1.1885	1.4395	1.4405	1 1/4
CB192312	1 3/16	x 1 7/16	1.1865	1.1885	1.4395	1.4405	1 1/2
CB192316	1 3/16	x 1 7/16	1.1865	1.1885	1.4395	1.4405	2
CB192320	1 3/16	x 1 7/16	1.1865	1.1885	1.4395	1.4405	2 1/2
CB192324	1 3/16	x 1 7/16	1.1865	1.1885	1.4395	1.4405	3
CB192328	1 3/16	x 1 7/16	1.1865	1.1885	1.4395	1.4405	3 1/2
CB192416	1 3/16	x 1 1/2	1.1865	1.1885	1.5020	1.5030	2
CB192424	1 3/16	x 1 1/2	1.1865	1.1885	1.5020	1.5030	3
CB192432	1 3/16	x 1 1/2	1.1865	1.1885	1.5020	1.5030	4
CB192512*	1 3/16	x 1 9/16	1.1865	1.1885	1.5645	1.5655	1 1/2
CB192520	1 3/16	x 1 9/16	1.1865	1.1885	1.5645	1.5655	2 1/2
CB192524	1 3/16	x 1 9/16	1.1865	1.1885	1.5645	1.5655	3
CB192528	1 3/16	x 1 9/16	1.1865	1.1885	1.5645	1.5655	3 1/2
CB192616	1 3/16	x 1 5/8	1.1865	1.1885	1.6270	1.6280	2
CB192620	1 3/16	x 1 5/8	1.1865	1.1885	1.6270	1.6280	2 1/2
CB192624	1 3/16	x 1 5/8	1.1865	1.1885	1.6270	1.6280	3
CB192716	1 3/16	x 1 11/16	1.1865	1.1885	1.6895	1.6905	2
CB192720	1 3/16	x 1 11/16	1.1865	1.1885	1.6895	1.6905	2 1/2
CB192724*	1 3/16	x 1 11/16	1.1865	1.1885	1.6895	1.6905	3
CB192728*	1 3/16	x 1 11/16	1.1865	1.1885	1.6895	1.6905	3 1/2
CB202316	1 1/4	x 1 7/16	1.2490	1.2510	1.4395	1.4405	2
CB202320	1 1/4	x 1 7/16	1.2490	1.2510	1.4395	1.4405	2 1/2
CB202324	1 1/4	x 1 7/16	1.2490	1.2510	1.4395	1.4405	3
CB202408	1 1/4	x 1 1/2	1.2490	1.2510	1.5020	1.5030	1
CB202409	1 1/4	x 1 1/2	1.2490	1.2510	1.5020	1.5030	1 1/8
CB202410	1 1/4	x 1 1/2	1.2490	1.2510	1.5020	1.5030	1 1/4
CB202411	1 1/4	x 1 1/2	1.2490	1.2510	1.5020	1.5030	1 3/8
CB202412	1 1/4	x 1 1/2	1.2490	1.2510	1.5020	1.5030	1 1/2
CB202413	1 1/4	x 1 1/2	1.2490	1.2510	1.5020	1.5030	1 5/8
CB202414	1 1/4	x 1 1/2	1.2490	1.2510	1.5020	1.5030	1 3/4
CB202416	1 1/4	x 1 1/2	1.2490	1.2510	1.5020	1.5030	2
CB202418	1 1/4	x 1 1/2	1.2490	1.2510	1.5020	1.5030	2 1/4
CB202420	1 1/4	x 1 1/2	1.2490	1.2510	1.5020	1.5030	2 1/2
CB202422	1 1/4	x 1 1/2	1.2490	1.2510	1.5020	1.5030	2 3/4
CB202424	1 1/4	x 1 1/2	1.2490	1.2510	1.5020	1.5030	3
CB202426	1 1/4	x 1 1/2	1.2490	1.2510	1.5020	1.5030	3 1/4
CB202428	1 1/4	x 1 1/2	1.2490	1.2510	1.5020	1.5030	3 1/2
CB202432	1 1/4	x 1 1/2	1.2490	1.2510	1.5020	1.5030	4
CB202434	1 1/4	x 1 1/2	1.2490	1.2510	1.5020	1.5030	4 1/4
CB202436	1 1/4	x 1 1/2	1.2490	1.2510	1.5020	1.5030	4 1/2
CB202440	1 1/4	x 1 1/2	1.2490	1.2510	1.5020	1.5030	5

*When current inventory is depleted, these sizes will be supplied on special order basis only. Minimum order quantities may apply.



Cast Bronze C93200 (SAE 660) Sleeve (Plain) Bearings

PART NUMBER	NOMINAL SIZES			I.D. Min.	I.D. Max.	O.D. Min.	O.D. Max.	LENGTH ±0.005"
	I.D.		O.D.					
CB202444	1 1/4	x	1 1/2	1.2490	1.2510	1.5020	1.5030	5 1/2
CB202516	1 1/4	x	1 9/16	1.2490	1.2510	1.5645	1.5655	2
CB202520	1 1/4	x	1 9/16	1.2490	1.2510	1.5645	1.5655	2 1/2
CB202524	1 1/4	x	1 9/16	1.2490	1.2510	1.5645	1.5655	3
CB202528*	1 1/4	x	1 9/16	1.2490	1.2510	1.5645	1.5655	3 1/2
CB202530*	1 1/4	x	1 9/16	1.2490	1.2510	1.5645	1.5655	3 3/4
CB202614	1 1/4	x	1 5/8	1.2490	1.2510	1.6270	1.6280	1 3/4
CB202616	1 1/4	x	1 5/8	1.2490	1.2510	1.6270	1.6280	2
CB202620	1 1/4	x	1 5/8	1.2490	1.2510	1.6270	1.6280	2 1/2
CB202624	1 1/4	x	1 5/8	1.2490	1.2510	1.6270	1.6280	3
CB202626*	1 1/4	x	1 5/8	1.2490	1.2510	1.6270	1.6280	3 1/4
CB202628	1 1/4	x	1 5/8	1.2490	1.2510	1.6270	1.6280	3 1/2
CB202632	1 1/4	x	1 5/8	1.2490	1.2510	1.6270	1.6280	4
CB202636*	1 1/4	x	1 5/8	1.2490	1.2510	1.6270	1.6280	4 1/2
CB202638	1 1/4	x	1 5/8	1.2490	1.2510	1.6270	1.6280	4 3/4
CB202716	1 1/4	x	1 11/16	1.2490	1.2510	1.6895	1.6905	2
CB202720*	1 1/4	x	1 11/16	1.2490	1.2510	1.6895	1.6905	2 1/2
CB202726	1 1/4	x	1 11/16	1.2490	1.2510	1.6895	1.6905	3 1/4
CB202728*	1 1/4	x	1 11/16	1.2490	1.2510	1.6895	1.6905	3 1/2
CB202810	1 1/4	x	1 3/4	1.2490	1.2510	1.7520	1.7530	1 1/4
CB202814	1 1/4	x	1 3/4	1.2490	1.2510	1.7520	1.7530	1 3/4
CB202816	1 1/4	x	1 3/4	1.2490	1.2510	1.7520	1.7530	2
CB202818	1 1/4	x	1 3/4	1.2490	1.2510	1.7520	1.7530	2 1/4
CB202820	1 1/4	x	1 3/4	1.2490	1.2510	1.7520	1.7530	2 1/2
CB202822	1 1/4	x	1 3/4	1.2490	1.2510	1.7520	1.7530	2 3/4
CB202824	1 1/4	x	1 3/4	1.2490	1.2510	1.7520	1.7530	3
CB202828	1 1/4	x	1 3/4	1.2490	1.2510	1.7520	1.7530	3 1/2
CB202830*	1 1/4	x	1 3/4	1.2490	1.2510	1.7520	1.7530	3 3/4
CB202832	1 1/4	x	1 3/4	1.2490	1.2510	1.7520	1.7530	4
CB202840	1 1/4	x	1 3/4	1.2490	1.2510	1.7520	1.7530	5
CB203016	1 1/4	x	1 7/8	1.2490	1.2510	1.8770	1.8780	2
CB203020*	1 1/4	x	1 7/8	1.2490	1.2510	1.8770	1.8780	2 1/2
CB203024	1 1/4	x	1 7/8	1.2490	1.2510	1.8770	1.8780	3
CB203032	1 1/4	x	1 7/8	1.2490	1.2510	1.8770	1.8780	4
CB203224	1 1/4	x	2	1.2490	1.2510	2.0020	2.0030	3
CB203232	1 1/4	x	2	1.2490	1.2510	2.0020	2.0030	4
CB203252	1 1/4	x	2	1.2490	1.2510	2.0020	2.0030	6 1/2
CB212414	1 5/16	x	1 1/2	1.3115	1.3135	1.5020	1.5030	1 3/4
CB212424	1 5/16	x	1 1/2	1.3115	1.3135	1.5020	1.5030	3
CB212524*	1 5/16	x	1 9/16	1.3115	1.3135	1.5645	1.5655	3
CB212528	1 5/16	x	1 9/16	1.3115	1.3135	1.5645	1.5655	3 1/2
CB212532	1 5/16	x	1 9/16	1.3115	1.3135	1.5645	1.5655	4
CB212616*	1 5/16	x	1 5/8	1.3115	1.3135	1.6270	1.6280	2
CB212620*	1 5/16	x	1 5/8	1.3115	1.3135	1.6270	1.6280	2 1/2
CB212624	1 5/16	x	1 5/8	1.3115	1.3135	1.6270	1.6280	3
CB212632*	1 5/16	x	1 5/8	1.3115	1.3135	1.6270	1.6280	4
CB212638*	1 5/16	x	1 5/8	1.3115	1.3135	1.6270	1.6280	4 3/4
CB212720*	1 5/16	x	1 11/16	1.3115	1.3135	1.6895	1.6905	2 1/2
CB212724*	1 5/16	x	1 11/16	1.3115	1.3135	1.6895	1.6905	3
CB212732*	1 5/16	x	1 11/16	1.3115	1.3135	1.6895	1.6905	4
CB212924*	1 5/16	x	1 13/16	1.3115	1.3135	1.8145	1.8155	3

*When current inventory is depleted, these sizes will be supplied on special order basis only. Minimum order quantities may apply.



Cast Bronze C93200 (SAE 660) Sleeve (Plain) Bearings

PART NUMBER	NOMINAL SIZES			I.D. Min.	I.D. Max.	O.D. Min.	O.D. Max.	LENGTH ±0.005"
	I.D.		O.D.					
CB212932*	1 5/16	x	1 13/16	1.3115	1.3135	1.8145	1.8155	4
CB213028*	1 5/16	x	1 7/8	1.3115	1.3135	1.8770	1.8780	3 1/2
CB213036*	1 5/16	x	1 7/8	1.3115	1.3135	1.8770	1.8780	4 1/2
CB222414	1 3/8	x	1 1/2	1.3740	1.3760	1.5020	1.5030	1 3/4
CB222416	1 3/8	x	1 1/2	1.3740	1.3760	1.5020	1.5030	2
CB222420	1 3/8	x	1 1/2	1.3740	1.3760	1.5020	1.5030	2 1/2
CB222610	1 3/8	x	1 5/8	1.3740	1.3760	1.6270	1.6280	1 1/4
CB222612	1 3/8	x	1 5/8	1.3740	1.3760	1.6270	1.6280	1 1/2
CB222616	1 3/8	x	1 5/8	1.3740	1.3760	1.6270	1.6280	2
CB222624	1 3/8	x	1 5/8	1.3740	1.3760	1.6270	1.6280	3
CB222626*	1 3/8	x	1 5/8	1.3740	1.3760	1.6270	1.6280	3 1/4
CB222628	1 3/8	x	1 5/8	1.3740	1.3760	1.6270	1.6280	3 1/2
CB222632	1 3/8	x	1 5/8	1.3740	1.3760	1.6270	1.6280	4
CB222636	1 3/8	x	1 5/8	1.3740	1.3760	1.6270	1.6280	4 1/2
CB222728	1 3/8	x	1 11/16	1.3740	1.3760	1.6895	1.6905	3 1/2
CB222816	1 3/8	x	1 3/4	1.3740	1.3760	1.7520	1.7530	2
CB222818	1 3/8	x	1 3/4	1.3740	1.3760	1.7520	1.7530	2 1/4
CB222820	1 3/8	x	1 3/4	1.3740	1.3760	1.7520	1.7530	2 1/2
CB222824	1 3/8	x	1 3/4	1.3740	1.3760	1.7520	1.7530	3
CB222828	1 3/8	x	1 3/4	1.3740	1.3760	1.7520	1.7530	3 1/2
CB222832	1 3/8	x	1 3/4	1.3740	1.3760	1.7520	1.7530	4
CB223024	1 3/8	x	1 7/8	1.3740	1.3760	1.8770	1.8780	3
CB223028*	1 3/8	x	1 7/8	1.3740	1.3760	1.8770	1.8780	3 1/2
CB223032	1 3/8	x	1 7/8	1.3740	1.3760	1.8770	1.8780	4
CB223036	1 3/8	x	1 7/8	1.3740	1.3760	1.8770	1.8780	4 1/2
CB223224	1 3/8	x	2	1.3740	1.3760	2.0020	2.0030	3
CB223232	1 3/8	x	2	1.3740	1.3760	2.0020	2.0030	4
CB223452	1 3/8	x	2 1/8	1.3740	1.3760	2.1270	2.1280	6 1/2
CB232614	1 7/16	x	1 5/8	1.4365	1.4385	1.6270	1.6280	1 3/4
CB232622*	1 7/16	x	1 5/8	1.4365	1.4385	1.6270	1.6280	2 3/4
CB232624	1 7/16	x	1 5/8	1.4365	1.4385	1.6270	1.6280	3
CB232720	1 7/16	x	1 11/16	1.4365	1.4385	1.6895	1.6905	2 1/2
CB232724	1 7/16	x	1 11/16	1.4365	1.4385	1.6895	1.6905	3
CB232728	1 7/16	x	1 11/16	1.4365	1.4385	1.6895	1.6905	3 1/2
CB232732	1 7/16	x	1 11/16	1.4365	1.4385	1.6895	1.6905	4
CB232734*	1 7/16	x	1 11/16	1.4365	1.4385	1.6895	1.6905	4 1/4
CB232818	1 7/16	x	1 3/4	1.4365	1.4385	1.7520	1.7530	2 1/4
CB232824	1 7/16	x	1 3/4	1.4365	1.4385	1.7520	1.7530	3
CB232832	1 7/16	x	1 3/4	1.4365	1.4385	1.7520	1.7530	4
CB232924	1 7/16	x	1 13/16	1.4365	1.4385	1.8145	1.8155	3
CB232926*	1 7/16	x	1 13/16	1.4365	1.4385	1.8145	1.8155	3 1/4
CB232928*	1 7/16	x	1 13/16	1.4365	1.4385	1.8145	1.8155	3 1/2
CB232932*	1 7/16	x	1 13/16	1.4365	1.4385	1.8145	1.8155	4
CB232934	1 7/16	x	1 13/16	1.4365	1.4385	1.8145	1.8155	4 1/4
CB232940	1 7/16	x	1 13/16	1.4365	1.4385	1.8145	1.8155	5
CB233024	1 7/16	x	1 7/8	1.4365	1.4385	1.8770	1.8780	3
CB233032	1 7/16	x	1 7/8	1.4365	1.4385	1.8770	1.8780	4
CB233036*	1 7/16	x	1 7/8	1.4365	1.4385	1.8770	1.8780	4 1/2
CB233040*	1 7/16	x	1 7/8	1.4365	1.4385	1.8770	1.8780	5
CB233116	1 7/16	x	1 15/16	1.4365	1.4385	1.9395	1.9405	2
CB233124	1 7/16	x	1 15/16	1.4365	1.4385	1.9395	1.9405	3

*When current inventory is depleted, these sizes will be supplied on special order basis only. Minimum order quantities may apply.



Cast Bronze C93200 (SAE 660) Sleeve (Plain) Bearings

PART NUMBER	NOMINAL SIZES			I.D. Min.	I.D. Max.	O.D. Min.	O.D. Max.	LENGTH ±0.005"
	I.D.		O.D.					
CB233128	1 7/16	x	1 15/16	1.4365	1.4385	1.9395	1.9405	3 1/2
CB233132	1 7/16	x	1 15/16	1.4365	1.4385	1.9395	1.9405	4
CB233136*	1 7/16	x	1 15/16	1.4365	1.4385	1.9395	1.9405	4 1/2
CB233140*	1 7/16	x	1 15/16	1.4365	1.4385	1.9395	1.9405	5
CB233144*	1 7/16	x	1 15/16	1.4365	1.4385	1.9395	1.9405	5 1/2
CB233232	1 7/16	x	2	1.4365	1.4385	2.0020	2.0030	4
CB242616	1 1/2	x	1 5/8	1.4990	1.5010	1.6270	1.6280	2
CB242722	1 1/2	x	1 11/16	1.4990	1.5010	1.6895	1.6905	2 3/4
CB242808	1 1/2	x	1 3/4	1.4990	1.5010	1.7520	1.7530	1
CB242810	1 1/2	x	1 3/4	1.4990	1.5010	1.7520	1.7530	1 1/4
CB242812	1 1/2	x	1 3/4	1.4990	1.5010	1.7520	1.7530	1 1/2
CB242814	1 1/2	x	1 3/4	1.4990	1.5010	1.7520	1.7530	1 3/4
CB242816	1 1/2	x	1 3/4	1.4990	1.5010	1.7520	1.7530	2
CB242818	1 1/2	x	1 3/4	1.4990	1.5010	1.7520	1.7530	2 1/4
CB242820	1 1/2	x	1 3/4	1.4990	1.5010	1.7520	1.7530	2 1/2
CB242824	1 1/2	x	1 3/4	1.4990	1.5010	1.7520	1.7530	3
CB242828	1 1/2	x	1 3/4	1.4990	1.5010	1.7520	1.7530	3 1/2
CB242832	1 1/2	x	1 3/4	1.4990	1.5010	1.7520	1.7530	4
CB242836	1 1/2	x	1 3/4	1.4990	1.5010	1.7520	1.7530	4 1/2
CB242840	1 1/2	x	1 3/4	1.4990	1.5010	1.7520	1.7530	5
CB242844	1 1/2	x	1 3/4	1.4990	1.5010	1.7520	1.7530	5 1/2
CB242924	1 1/2	x	1 13/16	1.4990	1.5010	1.8145	1.8155	3
CB243012	1 1/2	x	1 7/8	1.4990	1.5010	1.8770	1.8780	1 1/2
CB243016	1 1/2	x	1 7/8	1.4990	1.5010	1.8770	1.8780	2
CB243020	1 1/2	x	1 7/8	1.4990	1.5010	1.8770	1.8780	2 1/2
CB243022	1 1/2	x	1 7/8	1.4990	1.5010	1.8770	1.8780	2 3/4
CB243024	1 1/2	x	1 7/8	1.4990	1.5010	1.8770	1.8780	3
CB243028	1 1/2	x	1 7/8	1.4990	1.5010	1.8770	1.8780	3 1/2
CB243032	1 1/2	x	1 7/8	1.4990	1.5010	1.8770	1.8780	4
CB243036	1 1/2	x	1 7/8	1.4990	1.5010	1.8770	1.8780	4 1/2
CB243040	1 1/2	x	1 7/8	1.4990	1.5010	1.8770	1.8780	5
CB243044	1 1/2	x	1 7/8	1.4990	1.5010	1.8770	1.8780	5 1/2
CB243216	1 1/2	x	2	1.4990	1.5010	2.0020	2.0030	2
CB243220	1 1/2	x	2	1.4990	1.5010	2.0020	2.0030	2 1/2
CB243224	1 1/2	x	2	1.4990	1.5010	2.0020	2.0030	3
CB243228	1 1/2	x	2	1.4990	1.5010	2.0020	2.0030	3 1/2
CB243232	1 1/2	x	2	1.4990	1.5010	2.0020	2.0030	4
CB243236	1 1/2	x	2	1.4990	1.5010	2.0020	2.0030	4 1/2
CB243240	1 1/2	x	2	1.4990	1.5010	2.0020	2.0030	5
CB243424	1 1/2	x	2 1/8	1.4990	1.5010	2.1270	2.1280	3
CB243432	1 1/2	x	2 1/8	1.4990	1.5010	2.1270	2.1280	4
CB243624	1 1/2	x	2 1/4	1.4990	1.5010	2.2520	2.2530	3
CB243632	1 1/2	x	2 1/4	1.4990	1.5010	2.2520	2.2530	4
CB243640	1 1/2	x	2 1/4	1.4990	1.5010	2.2520	2.2530	5
CB243652	1 1/2	x	2 1/4	1.4990	1.5010	2.2520	2.2530	6 1/2
CB252924	1 9/16	x	1 13/16	1.5615	1.5635	1.8145	1.8155	3
CB252928*	1 9/16	x	1 13/16	1.5615	1.5635	1.8145	1.8155	3 1/2
CB252932	1 9/16	x	1 13/16	1.5615	1.5635	1.8145	1.8155	4
CB253128	1 9/16	x	1 15/16	1.5615	1.5635	1.9395	1.9405	3 1/2
CB253136*	1 9/16	x	1 15/16	1.5615	1.5635	1.9395	1.9405	4 1/2
CB263018	1 5/8	x	1 7/8	1.6240	1.6260	1.8770	1.8780	2 1/4

*When current inventory is depleted, these sizes will be supplied on special order basis only. Minimum order quantities may apply.



Cast Bronze C93200 (SAE 660) Sleeve (Plain) Bearings

PART NUMBER	NOMINAL SIZES			I.D. Min.	I.D. Max.	O.D. Min.	O.D. Max.	LENGTH ±0.005"
	I.D.		O.D.					
CB263024	1 5/8	x	1 7/8	1.6240	1.6260	1.8770	1.8780	3
CB263030	1 5/8	x	1 7/8	1.6240	1.6260	1.8770	1.8780	3 3/4
CB263214	1 5/8	x	2	1.6240	1.6260	2.0020	2.0030	1 3/4
CB263220	1 5/8	x	2	1.6240	1.6260	2.0020	2.0030	2 1/2
CB263224	1 5/8	x	2	1.6240	1.6260	2.0020	2.0030	3
CB263228*	1 5/8	x	2	1.6240	1.6260	2.0020	2.0030	3 1/2
CB263232	1 5/8	x	2	1.6240	1.6260	2.0020	2.0030	4
CB263236*	1 5/8	x	2	1.6240	1.6260	2.0020	2.0030	4 1/2
CB263240	1 5/8	x	2	1.6240	1.6260	2.0020	2.0030	5
CB263244	1 5/8	x	2	1.6240	1.6260	2.0020	2.0030	5 1/2
CB263424	1 5/8	x	2 1/8	1.6240	1.6260	2.1270	2.1280	3
CB263432	1 5/8	x	2 1/8	1.6240	1.6260	2.1270	2.1280	4
CB263436*	1 5/8	x	2 1/8	1.6240	1.6260	2.1270	2.1280	4 1/2
CB263440*	1 5/8	x	2 1/8	1.6240	1.6260	2.1270	2.1280	5
CB273124	1 11/16	x	1 15/16	1.6865	1.6885	1.9395	1.9405	3
CB273128	1 11/16	x	1 15/16	1.6865	1.6885	1.9395	1.9405	3 1/2
CB273228	1 11/16	x	2	1.6865	1.6885	2.0020	2.0030	3 1/2
CB273236	1 11/16	x	2	1.6865	1.6885	2.0020	2.0030	4 1/2
CB273324	1 11/16	x	2 1/16	1.6865	1.6885	2.0645	2.0655	3
CB273328*	1 11/16	x	2 1/16	1.6865	1.6885	2.0645	2.0655	3 1/2
CB273332*	1 11/16	x	2 1/16	1.6865	1.6885	2.0645	2.0655	4
CB273336*	1 11/16	x	2 1/16	1.6865	1.6885	2.0645	2.0655	4 1/2
CB273340*	1 11/16	x	2 1/16	1.6865	1.6885	2.0645	2.0655	5
CB273344*	1 11/16	x	2 1/16	1.6865	1.6885	2.0645	2.0655	5 1/2
CB273516	1 11/16	x	2 3/16	1.6865	1.6885	2.1895	2.1905	2
CB273520*	1 11/16	x	2 3/16	1.6865	1.6885	2.1895	2.1905	2 1/2
CB273524	1 11/16	x	2 3/16	1.6865	1.6885	2.1895	2.1905	3
CB273528*	1 11/16	x	2 3/16	1.6865	1.6885	2.1895	2.1905	3 1/2
CB273532*	1 11/16	x	2 3/16	1.6865	1.6885	2.1895	2.1905	4
CB273536*	1 11/16	x	2 3/16	1.6865	1.6885	2.1895	2.1905	4 1/2
CB273544	1 11/16	x	2 3/16	1.6865	1.6885	2.1895	2.1905	5 1/2
CB273624	1 11/16	x	2 1/4	1.6865	1.6885	2.2520	2.2530	3
CB273636	1 11/16	x	2 1/4	1.6865	1.6885	2.2520	2.2530	4 1/2
CB283212	1 3/4	x	2	1.7490	1.7510	2.0020	2.0030	1 1/2
CB283216	1 3/4	x	2	1.7490	1.7510	2.0020	2.0030	2
CB283218	1 3/4	x	2	1.7490	1.7510	2.0020	2.0030	2 1/4
CB283220	1 3/4	x	2	1.7490	1.7510	2.0020	2.0030	2 1/2
CB283224	1 3/4	x	2	1.7490	1.7510	2.0020	2.0030	3
CB283232	1 3/4	x	2	1.7490	1.7510	2.0020	2.0030	4
CB283236	1 3/4	x	2	1.7490	1.7510	2.0020	2.0030	4 1/2
CB283242	1 3/4	x	2	1.7490	1.7510	2.0020	2.0030	5 1/4
CB283328	1 3/4	x	2 1/16	1.7490	1.7510	2.0645	2.0655	3 1/2
CB283420	1 3/4	x	2 1/8	1.7490	1.7510	2.1270	2.1280	2 1/2
CB283422	1 3/4	x	2 1/8	1.7490	1.7510	2.1270	2.1280	2 3/4
CB283426	1 3/4	x	2 1/8	1.7490	1.7510	2.1270	2.1280	3 1/4
CB283428	1 3/4	x	2 1/8	1.7490	1.7510	2.1270	2.1280	3 1/2
CB283432	1 3/4	x	2 1/8	1.7490	1.7510	2.1270	2.1280	4
CB283434*	1 3/4	x	2 1/8	1.7490	1.7510	2.1270	2.1280	4 1/4
CB283440	1 3/4	x	2 1/8	1.7490	1.7510	2.1270	2.1280	5
CB283444	1 3/4	x	2 1/8	1.7490	1.7510	2.1270	2.1280	5 1/2
CB283614	1 3/4	x	2 1/4	1.7490	1.7510	2.2520	2.2530	1 3/4

*When current inventory is depleted, these sizes will be supplied on special order basis only. Minimum order quantities may apply.



Cast Bronze C93200 (SAE 660) Sleeve (Plain) Bearings

PART NUMBER	NOMINAL SIZES		I.D. Min.	I.D. Max.	O.D. Min.	O.D. Max.	LENGTH ±0.005"
	I.D.	O.D.					
CB283616	1 3/4	x 2 1/4	1.7490	1.7510	2.2520	2.2530	2
CB283620	1 3/4	x 2 1/4	1.7490	1.7510	2.2520	2.2530	2 1/2
CB283624	1 3/4	x 2 1/4	1.7490	1.7510	2.2520	2.2530	3
CB283628	1 3/4	x 2 1/4	1.7490	1.7510	2.2520	2.2530	3 1/2
CB283632	1 3/4	x 2 1/4	1.7490	1.7510	2.2520	2.2530	4
CB283634*	1 3/4	x 2 1/4	1.7490	1.7510	2.2520	2.2530	4 1/4
CB283640	1 3/4	x 2 1/4	1.7490	1.7510	2.2520	2.2530	5
CB283828	1 3/4	x 2 3/8	1.7490	1.7510	2.3770	2.3780	3 1/2
CB283836*	1 3/4	x 2 3/8	1.7490	1.7510	2.3770	2.3780	4 1/2
CB283840	1 3/4	x 2 3/8	1.7490	1.7510	2.3770	2.3780	5
CB284052	1 3/4	x 2 1/2	1.7490	1.7510	2.5020	2.5030	6 1/2
CB293532	1 13/16	x 2 3/16	1.8115	1.8135	2.1895	2.1905	4
CB293542	1 13/16	x 2 3/16	1.8115	1.8135	2.1895	2.1905	5 1/4
CB293732*	1 13/16	x 2 5/16	1.8115	1.8135	2.3145	2.3155	4
CB293740*	1 13/16	x 2 5/16	1.8115	1.8135	2.3145	2.3155	5
CB303420	1 7/8	x 2 1/8	1.8740	1.8760	2.1270	2.1280	2 1/2
CB303424	1 7/8	x 2 1/8	1.8740	1.8760	2.1270	2.1280	3
CB303432	1 7/8	x 2 1/8	1.8740	1.8760	2.1270	2.1280	4
CB303624	1 7/8	x 2 1/4	1.8740	1.8760	2.2520	2.2530	3
CB303626	1 7/8	x 2 1/4	1.8740	1.8760	2.2520	2.2530	3 1/4
CB303632	1 7/8	x 2 1/4	1.8740	1.8760	2.2520	2.2530	4
CB303640	1 7/8	x 2 1/4	1.8740	1.8760	2.2520	2.2530	5
CB303824	1 7/8	x 2 3/8	1.8740	1.8760	2.3770	2.3780	3
CB303832	1 7/8	x 2 3/8	1.8740	1.8760	2.3770	2.3780	4
CB303842	1 7/8	x 2 3/8	1.8740	1.8760	2.3770	2.3780	5 1/4
CB313516	1 15/16	x 2 3/16	1.9365	1.9385	2.1895	2.1905	2
CB313524	1 15/16	x 2 3/16	1.9365	1.9385	2.1895	2.1905	3
CB313532	1 15/16	x 2 3/16	1.9365	1.9385	2.1895	2.1905	4
CB313624	1 15/16	x 2 1/4	1.9365	1.9385	2.2520	2.2530	3
CB313636	1 15/16	x 2 1/4	1.9365	1.9385	2.2520	2.2530	4 1/2
CB313728	1 15/16	x 2 5/16	1.9365	1.9385	2.3145	2.3155	3 1/2
CB313732	1 15/16	x 2 5/16	1.9365	1.9385	2.3145	2.3155	4
CB313740	1 15/16	x 2 5/16	1.9365	1.9385	2.3145	2.3155	5
CB313744*	1 15/16	x 2 5/16	1.9365	1.9385	2.3145	2.3155	5 1/2
CB313750	1 15/16	x 2 5/16	1.9365	1.9385	2.3145	2.3155	6 1/4
CB313824	1 15/16	x 2 3/8	1.9365	1.9385	2.3770	2.3780	3
CB313832	1 15/16	x 2 3/8	1.9365	1.9385	2.3770	2.3780	4
CB313844	1 15/16	x 2 3/8	1.9365	1.9385	2.3770	2.3780	5 1/2
CB313924	1 15/16	x 2 7/16	1.9365	1.9385	2.4395	2.4405	3
CB313932	1 15/16	x 2 7/16	1.9365	1.9385	2.4395	2.4405	4
CB313940	1 15/16	x 2 7/16	1.9365	1.9385	2.4395	2.4405	5
CB313944	1 15/16	x 2 7/16	1.9365	1.9385	2.4395	2.4405	5 1/2
CB314024	1 15/16	x 2 1/2	1.9365	1.9385	2.5020	2.5030	3
CB314040	1 15/16	x 2 1/2	1.9365	1.9385	2.5020	2.5030	5
CB323616	2	x 2 1/4	1.9990	2.0010	2.2520	2.2530	2
CB323620	2	x 2 1/4	1.9990	2.0010	2.2520	2.2530	2 1/2
CB323624	2	x 2 1/4	1.9990	2.0010	2.2520	2.2530	3
CB323628	2	x 2 1/4	1.9990	2.0010	2.2520	2.2530	3 1/2
CB323630*	2	x 2 1/4	1.9990	2.0010	2.2520	2.2530	3 3/4
CB323632	2	x 2 1/4	1.9990	2.0010	2.2520	2.2530	4
CB323636	2	x 2 1/4	1.9990	2.0010	2.2520	2.2530	4 1/2

*When current inventory is depleted, these sizes will be supplied on special order basis only. Minimum order quantities may apply.



Cast Bronze C93200 (SAE 660) Sleeve (Plain) Bearings

PART NUMBER	NOMINAL SIZES		I.D. Min.	I.D. Max.	O.D. Min.	O.D. Max.	LENGTH ±0.005"
	I.D.	O.D.					
CB323640	2	x 2 1/4	1.9990	2.0010	2.2520	2.2530	5
CB323820	2	x 2 3/8	1.9990	2.0010	2.3770	2.3780	2 1/2
CB323824	2	x 2 3/8	1.9990	2.0010	2.3770	2.3780	3
CB323828	2	x 2 3/8	1.9990	2.0010	2.3770	2.3780	3 1/2
CB323832	2	x 2 3/8	1.9990	2.0010	2.3770	2.3780	4
CB323836	2	x 2 3/8	1.9990	2.0010	2.3770	2.3780	4 1/2
CB324016	2	x 2 1/2	1.9990	2.0010	2.5020	2.5030	2
CB324020	2	x 2 1/2	1.9990	2.0010	2.5020	2.5030	2 1/2
CB324024	2	x 2 1/2	1.9990	2.0010	2.5020	2.5030	3
CB324028	2	x 2 1/2	1.9990	2.0010	2.5020	2.5030	3 1/2
CB324032	2	x 2 1/2	1.9990	2.0010	2.5020	2.5030	4
CB324036	2	x 2 1/2	1.9990	2.0010	2.5020	2.5030	4 1/2
CB324040	2	x 2 1/2	1.9990	2.0010	2.5020	2.5030	5
CB324044	2	x 2 1/2	1.9990	2.0010	2.5020	2.5030	5 1/2
CB324048	2	x 2 1/2	1.9990	2.0010	2.5020	2.5030	6
CB324232	2	x 2 5/8	1.9990	2.0010	2.6270	2.6280	4
CB324448	2	x 2 3/4	1.9990	2.0010	2.7520	2.7530	6
CB324452	2	x 2 3/4	1.9990	2.0010	2.7520	2.7530	6 1/2
CB344024	2 1/8	x 2 1/2	2.1240	2.1260	2.5020	2.5030	3
CB344032	2 1/8	x 2 1/2	2.1240	2.1260	2.5020	2.5030	4
CB344232	2 1/8	x 2 5/8	2.1240	2.1260	2.6270	2.6280	4
CB344240	2 1/8	x 2 5/8	2.1240	2.1260	2.6270	2.6280	5
CB344248	2 1/8	x 2 5/8	2.1240	2.1260	2.6270	2.6280	6
CB354232	2 3/16	x 2 5/8	2.1865	2.1885	2.6270	2.6280	4
CB354240	2 3/16	x 2 5/8	2.1865	2.1885	2.6270	2.6280	5
CB354328	2 3/16	x 2 11/16	2.1865	2.1885	2.6895	2.6905	3 1/2
CB354332	2 3/16	x 2 11/16	2.1865	2.1885	2.6895	2.6905	4
CB354336	2 3/16	x 2 11/16	2.1865	2.1885	2.6895	2.6905	4 1/2
CB354340	2 3/16	x 2 11/16	2.1865	2.1885	2.6895	2.6905	5
CB354436	2 3/16	x 2 3/4	2.1865	2.1885	2.7520	2.7530	4 1/2
CB354442*	2 3/16	x 2 3/4	2.1865	2.1885	2.7520	2.7530	5 1/4
CB354448	2 3/16	x 2 3/4	2.1865	2.1885	2.7520	2.7530	6
CB354636	2 3/16	x 2 7/8	2.1865	2.1885	2.8770	2.8780	4 1/2
CB364024	2 1/4	x 2 1/2	2.2490	2.2510	2.5020	2.5030	3
CB364028	2 1/4	x 2 1/2	2.2490	2.2510	2.5020	2.5030	3 1/2
CB364032	2 1/4	x 2 1/2	2.2490	2.2510	2.5020	2.5030	4
CB364224	2 1/4	x 2 5/8	2.2490	2.2510	2.6270	2.6280	3
CB364232	2 1/4	x 2 5/8	2.2490	2.2510	2.6270	2.6280	4
CB364240	2 1/4	x 2 5/8	2.2490	2.2510	2.6270	2.6280	5
CB364338*	2 1/4	x 2 11/16	2.2490	2.2510	2.6895	2.6905	4 3/4
CB364424	2 1/4	x 2 3/4	2.2490	2.2510	2.7520	2.7530	3
CB364428	2 1/4	x 2 3/4	2.2490	2.2510	2.7520	2.7530	3 1/2
CB364432	2 1/4	x 2 3/4	2.2490	2.2510	2.7520	2.7530	4
CB364436	2 1/4	x 2 3/4	2.2490	2.2510	2.7520	2.7530	4 1/2
CB364440	2 1/4	x 2 3/4	2.2490	2.2510	2.7520	2.7530	5
CB364448	2 1/4	x 2 3/4	2.2490	2.2510	2.7520	2.7530	6
CB364452*	2 1/4	x 2 3/4	2.2490	2.2510	2.7520	2.7530	6 1/2
CB364828	2 1/4	x 3	2.2490	2.2510	3.0020	3.0030	3 1/2
CB364840	2 1/4	x 3	2.2490	2.2510	3.0020	3.0030	5
CB365052*	2 1/4	x 3 1/8	2.2490	2.2510	3.1280	3.1300	6 1/2
CB384432	2 3/8	x 2 3/4	2.3740	2.3760	2.7520	2.7530	4

*When current inventory is depleted, these sizes will be supplied on special order basis only. Minimum order quantities may apply.



Cast Bronze C93200 (SAE 660) Sleeve (Plain) Bearings

PART NUMBER	NOMINAL SIZES		I.D. Min.	I.D. Max.	O.D. Min.	O.D. Max.	LENGTH ±0.005"
	I.D.	O.D.					
CB384440	2 3/8	x 2 3/4	2.3740	2.3760	2.7520	2.7530	5
CB384448	2 3/8	x 2 3/4	2.3740	2.3760	2.7520	2.7530	6
CB384632	2 3/8	x 2 7/8	2.3740	2.3760	2.8770	2.8780	4
CB384640*	2 3/8	x 2 7/8	2.3740	2.3760	2.8770	2.8780	5
CB384648	2 3/8	x 2 7/8	2.3740	2.3760	2.8770	2.8780	6
CB394432	2 7/16	x 2 3/4	2.4365	2.4385	2.7520	2.7530	4
CB394440	2 7/16	x 2 3/4	2.4365	2.4385	2.7520	2.7530	5
CB394624	2 7/16	x 2 7/8	2.4365	2.4385	2.8770	2.8780	3
CB394640	2 7/16	x 2 7/8	2.4365	2.4385	2.8770	2.8780	5
CB394732	2 7/16	x 2 15/16	2.4365	2.4385	2.9395	2.9405	4
CB394740	2 7/16	x 2 15/16	2.4365	2.4385	2.9395	2.9405	5
CB394750	2 7/16	x 2 15/16	2.4365	2.4385	2.9395	2.9405	6 1/4
CB394830	2 7/16	x 3	2.4365	2.4385	3.0020	3.0030	3 3/4
CB394840	2 7/16	x 3	2.4365	2.4385	3.0020	3.0030	5
CB394850	2 7/16	x 3	2.4365	2.4385	3.0020	3.0030	6 1/4
CB404424	2 1/2	x 2 3/4	2.4990	2.5010	2.7520	2.7530	3
CB404432	2 1/2	x 2 3/4	2.4990	2.5010	2.7520	2.7530	4
CB404440	2 1/2	x 2 3/4	2.4990	2.5010	2.7520	2.7530	5
CB404626	2 1/2	x 2 7/8	2.4990	2.5010	2.8770	2.8780	3 1/4
CB404636	2 1/2	x 2 7/8	2.4990	2.5010	2.8770	2.8780	4 1/2
CB404824	2 1/2	x 3	2.4990	2.5010	3.0020	3.0030	3
CB404830	2 1/2	x 3	2.4990	2.5010	3.0020	3.0030	3 3/4
CB404832	2 1/2	x 3	2.4990	2.5010	3.0020	3.0030	4
CB404840	2 1/2	x 3	2.4990	2.5010	3.0020	3.0030	5
CB404848	2 1/2	x 3	2.4990	2.5010	3.0020	3.0030	6
CB404856	2 1/2	x 3	2.4990	2.5010	3.0020	3.0030	7
CB405028	2 1/2	x 3 1/8	2.4990	2.5010	3.1280	3.1300	3 1/2
CB405032	2 1/2	x 3 1/8	2.4990	2.5010	3.1280	3.1300	4
CB405036	2 1/2	x 3 1/8	2.4990	2.5010	3.1280	3.1300	4 1/2
CB405054*	2 1/2	x 3 1/8	2.4990	2.5010	3.1280	3.1300	6 3/4
CB405232	2 1/2	x 3 1/4	2.4990	2.5010	3.2530	3.2550	4
CB405240	2 1/2	x 3 1/4	2.4990	2.5010	3.2530	3.2550	5
CB405248	2 1/2	x 3 1/4	2.4990	2.5010	3.2530	3.2550	6
CB405258*	2 1/2	x 3 1/4	2.4990	2.5010	3.2530	3.2550	7 1/4
CB405652	2 1/2	x 3 1/2	2.4990	2.5010	3.5030	3.5050	6 1/2
CB424824	2 5/8	x 3	2.6240	2.6260	3.0020	3.0030	3
CB424832	2 5/8	x 3	2.6240	2.6260	3.0020	3.0030	4
CB424840	2 5/8	x 3	2.6240	2.6260	3.0020	3.0030	5
CB425040*	2 5/8	x 3 1/8	2.6240	2.6260	3.1280	3.1300	5
CB425048*	2 5/8	x 3 1/8	2.6240	2.6260	3.1280	3.1300	6
CB425058	2 5/8	x 3 1/8	2.6240	2.6260	3.1280	3.1300	7 1/4
CB425256*	2 5/8	x 3 1/4	2.6240	2.6260	3.2530	3.2550	7
CB425452*	2 5/8	x 3 3/8	2.6240	2.6260	3.3780	3.3800	6 1/2
CB435132	2 11/16	x 3 3/16	2.6865	2.6885	3.1905	3.1925	4
CB435140*	2 11/16	x 3 3/16	2.6865	2.6885	3.1905	3.1925	5
CB435150*	2 11/16	x 3 3/16	2.6865	2.6885	3.1905	3.1925	6 1/4
CB445032	2 3/4	x 3 1/8	2.7490	2.7510	3.1280	3.1300	4
CB445040	2 3/4	x 3 1/8	2.7490	2.7510	3.1280	3.1300	5
CB445048	2 3/4	x 3 1/8	2.7490	2.7510	3.1280	3.1300	6
CB445232	2 3/4	x 3 1/4	2.7490	2.7510	3.2530	3.2550	4
CB445240	2 3/4	x 3 1/4	2.7490	2.7510	3.2530	3.2550	5

*When current inventory is depleted, these sizes will be supplied on special order basis only. Minimum order quantities may apply.



Cast Bronze C93200 (SAE 660) Sleeve (Plain) Bearings

PART NUMBER	NOMINAL SIZES		I.D. Min.	I.D. Max.	O.D. Min.	O.D. Max.	LENGTH ±0.005"
	I.D.	O.D.					
CB445248	2 3/4	x 3 1/4	2.7490	2.7510	3.2530	3.2550	6
CB445256	2 3/4	x 3 1/4	2.7490	2.7510	3.2530	3.2550	7
CB445432	2 3/4	x 3 3/8	2.7490	2.7510	3.3780	3.3800	4
CB445452*	2 3/4	x 3 3/8	2.7490	2.7510	3.3780	3.3800	6 1/2
CB445652	2 3/4	x 3 1/2	2.7490	2.7510	3.5030	3.5050	6 1/2
CB465432	2 7/8	x 3 3/8	2.8740	2.8760	3.3780	3.3800	4
CB465448*	2 7/8	x 3 3/8	2.8740	2.8760	3.3780	3.3800	6
CB465464	2 7/8	x 3 3/8	2.8740	2.8760	3.3780	3.3800	8
CB465636	2 7/8	x 3 1/2	2.8740	2.8760	3.5030	3.5050	4 1/2
CB465654	2 7/8	x 3 1/2	2.8740	2.8760	3.5030	3.5050	6 3/4
CB475528	2 15/16	x 3 7/16	2.9365	2.9385	3.4405	3.4425	3 1/2
CB475540	2 15/16	x 3 7/16	2.9365	2.9385	3.4405	3.4425	5
CB475552	2 15/16	x 3 7/16	2.9365	2.9385	3.4405	3.4425	6 1/2
CB476056	2 15/16	x 3 3/4	2.9365	2.9385	3.7530	3.7550	7
CB485436	3	x 3 3/8	2.9990	3.0010	3.3780	3.3800	4 1/2
CB485464	3	x 3 3/8	2.9990	3.0010	3.3780	3.3800	8
CB485624	3	x 3 1/2	2.9990	3.0010	3.5030	3.5050	3
CB485632	3	x 3 1/2	2.9990	3.0010	3.5030	3.5050	4
CB485636	3	x 3 1/2	2.9990	3.0010	3.5030	3.5050	4 1/2
CB485644	3	x 3 1/2	2.9990	3.0010	3.5030	3.5050	5 1/2
CB485648	3	x 3 1/2	2.9990	3.0010	3.5030	3.5050	6
CB485672	3	x 3 1/2	2.9990	3.0010	3.5030	3.5050	9
CB485840	3	x 3 5/8	2.9990	3.0010	3.6280	3.6300	5
CB485852	3	x 3 5/8	2.9990	3.0010	3.6280	3.6300	6 1/2
CB485864	3	x 3 5/8	2.9990	3.0010	3.6280	3.6300	8
CB486050	3	x 3 3/4	2.9990	3.0010	3.7530	3.7550	6 1/4
CB486452	3	x 4	2.9990	3.0010	4.0030	4.0050	6 1/2
CB525632	3 1/4	x 3 1/2	3.2485	3.2515	3.5030	3.5050	4
CB526040	3 1/4	x 3 3/4	3.2485	3.2515	3.7530	3.7550	5
CB526048	3 1/4	x 3 3/4	3.2485	3.2515	3.7530	3.7550	6
CB526072	3 1/4	x 3 3/4	3.2485	3.2515	3.7530	3.7550	9
CB556336	3 7/16	x 3 15/16	3.4360	3.4390	3.9405	3.9425	4 1/2
CB556352	3 7/16	x 3 15/16	3.4360	3.4390	3.9405	3.9425	6 1/2
CB566432	3 1/2	x 4	3.4985	3.5015	4.0030	4.0050	4
CB566444	3 1/2	x 4	3.4985	3.5015	4.0030	4.0050	5 1/2
CB566448	3 1/2	x 4	3.4985	3.5015	4.0030	4.0050	6
CB566456	3 1/2	x 4	3.4985	3.5015	4.0030	4.0050	7
CB566648	3 1/2	x 4 1/8	3.4985	3.5015	4.1280	4.1300	6
CB566836	3 1/2	x 4 1/4	3.4985	3.5015	4.2530	4.2550	4 1/2
CB566856	3 1/2	x 4 1/4	3.4985	3.5015	4.2530	4.2550	7
CB566878*	3 1/2	x 4 1/4	3.4985	3.5015	4.2530	4.2550	9 3/4
CB606840	3 3/4	x 4 1/4	3.7485	3.7515	4.2530	4.2550	5
CB606856	3 3/4	x 4 1/4	3.7485	3.7515	4.2530	4.2550	7
CB607252	3 3/4	x 4 1/2	3.7485	3.7515	4.5030	4.5050	6 1/2
CB647232	4	x 4 1/2	3.9985	4.0015	4.5030	4.5050	4
CB647248	4	x 4 1/2	3.9985	4.0015	4.5030	4.5050	6
CB647256	4	x 4 1/2	3.9985	4.0015	4.5030	4.5050	7
CB647640	4	x 4 3/4	3.9985	4.0015	4.7530	4.7550	5
CB647648	4	x 4 3/4	3.9985	4.0015	4.7530	4.7550	6
CB647656	4	x 4 3/4	3.9985	4.0015	4.7530	4.7550	7
CB648040	4	x 5	3.9985	4.0015	5.0030	5.0050	5

*When current inventory is depleted, these sizes will be supplied on special order basis only. Minimum order quantities may apply.



Cast Bronze C93200 (SAE 660) Sleeve (Plain) Bearings

PART NUMBER	NOMINAL SIZES			I.D. Min.	I.D. Max.	O.D. Min.	O.D. Max.	LENGTH ±0.005"
	I.D.		O.D.					
CB648048	4	x	5	3.9985	4.0015	5.0030	5.0050	6
CB648056	4	x	5	3.9985	4.0015	5.0030	5.0050	7
CB687640	4 1/4	x	4 3/4	4.2485	4.2515	4.7530	4.7550	5
CB687648*	4 1/4	x	4 3/4	4.2485	4.2515	4.7530	4.7550	6
CB687656	4 1/4	x	4 3/4	4.2485	4.2515	4.7530	4.7550	7
CB688040	4 1/4	x	5	4.2485	4.2515	5.0030	5.0050	5
CB688048	4 1/4	x	5	4.2485	4.2515	5.0030	5.0050	6
CB688056	4 1/4	x	5	4.2485	4.2515	5.0030	5.0050	7
CB728048	4 1/2	x	5	4.4985	4.5015	5.0030	5.0050	6
CB728056	4 1/2	x	5	4.4985	4.5015	5.0030	5.0050	7
CB728064	4 1/2	x	5	4.4985	4.5015	5.0030	5.0050	8
CB728848	4 1/2	x	5 1/2	4.4985	4.5015	5.5030	5.5050	6
CB728856*	4 1/2	x	5 1/2	4.4985	4.5015	5.5030	5.5050	7
CB728864	4 1/2	x	5 1/2	4.4985	4.5015	5.5030	5.5050	8
CB808848	5	x	5 1/2	4.9985	5.0015	5.5030	5.5050	6
CB808856*	5	x	5 1/2	4.9985	5.0015	5.5030	5.5050	7
CB808864	5	x	5 1/2	4.9985	5.0015	5.5030	5.5050	8
CB809656	5	x	6	4.9985	5.0015	6.0030	6.0050	7
CB809664	5	x	6	4.9985	5.0015	6.0030	6.0050	8
CB809672	5	x	6	4.9985	5.0015	6.0030	6.0050	9

*When current inventory is depleted, these sizes will be supplied on special order basis only. Minimum order quantities may apply.



Cast Bronze C93200 (SAE 660) Sleeve (Plain) Metric Bearings

PART NUMBER	NOMINAL SIZES		I.D. Min.	I.D. Max.	O.D. Min.	O.D. Max.	LENGTH ±0.120 mm
	I.D.	O.D.					
CBM006008008	6	x 8	5.975	6.025	8.050	8.076	8.000
CBM006008010	6	x 8	5.975	6.025	8.050	8.076	10.000
CBM006010006	6	x 10	5.975	6.025	10.050	10.076	6.000
CBM006010008	6	x 10	5.975	6.025	10.050	10.076	8.000
CBM006010010	6	x 10	5.975	6.025	10.050	10.076	10.000
CBM006010012	6	x 10	5.975	6.025	10.050	10.076	12.000
CBM006012006*	6	x 12	5.975	6.025	12.050	12.076	6.000
CBM006012010	6	x 12	5.975	6.025	12.050	12.076	10.000
CBM006012012*	6	x 12	5.975	6.025	12.050	12.076	12.000
CBM008012008	8	x 12	7.975	8.025	12.050	12.076	8.000
CBM008012012	8	x 12	7.975	8.025	12.050	12.076	12.000
CBM010014008	10	x 14	9.975	10.025	14.050	14.076	8.000
CBM010014010	10	x 14	9.975	10.025	14.050	14.076	10.000
CBM010014014	10	x 14	9.975	10.025	14.050	14.076	14.000
CBM010014016	10	x 14	9.975	10.025	14.050	14.076	16.000
CBM010016010	10	x 16	9.975	10.025	16.050	16.076	10.000
CBM010016016	10	x 16	9.975	10.025	16.050	16.076	16.000
CBM012015012*	12	x 15	11.975	12.025	15.050	15.076	12.000
CBM012015016	12	x 15	11.975	12.025	15.050	15.076	16.000
CBM012015020	12	x 15	11.975	12.025	15.050	15.076	20.000
CBM012016012	12	x 16	11.975	12.025	16.050	16.076	12.000
CBM012016016	12	x 16	11.975	12.025	16.050	16.076	16.000
CBM012016020	12	x 16	11.975	12.025	16.050	16.076	20.000
CBM012018012*	12	x 18	11.975	12.025	18.050	18.076	12.000
CBM012018016	12	x 18	11.975	12.025	18.050	18.076	16.000
CBM012018020	12	x 18	11.975	12.025	18.050	18.076	20.000
CBM014018014	14	x 18	13.975	14.025	18.050	18.076	14.000
CBM014018018*	14	x 18	13.975	14.025	18.050	18.076	18.000
CBM014018022*	14	x 18	13.975	14.025	18.050	18.076	22.000
CBM014020014*	14	x 20	13.975	14.025	20.050	20.076	14.000
CBM014020016*	14	x 20	13.975	14.025	20.050	20.076	16.000
CBM014020022*	14	x 20	13.975	14.025	20.050	20.076	22.000
CBM015020016	15	x 20	14.975	15.025	20.050	20.076	16.000
CBM015020020*	15	x 20	14.975	15.025	20.050	20.076	20.000
CBM015020025	15	x 20	14.975	15.025	20.050	20.076	25.000
CBM016020016	16	x 20	15.975	16.025	20.050	20.076	16.000
CBM016020020	16	x 20	15.975	16.025	20.050	20.076	20.000
CBM016020025	16	x 20	15.975	16.025	20.050	20.076	25.000
CBM018022018	18	x 22	17.975	18.025	22.050	22.076	18.000
CBM018022022	18	x 22	17.975	18.025	22.050	22.076	22.000
CBM018022028*	18	x 22	17.975	18.025	22.050	22.076	28.000
CBM018025018*	18	x 25	17.975	18.025	25.050	25.076	18.000
CBM018025022	18	x 25	17.975	18.025	25.050	25.076	22.000
CBM018025028*	18	x 25	17.975	18.025	25.050	25.076	28.000
CBM020025016	20	x 25	19.975	20.025	25.050	25.076	16.000
CBM020025020	20	x 25	19.975	20.025	25.050	25.076	20.000
CBM020025025	20	x 25	19.975	20.025	25.050	25.076	25.000
CBM020025030	20	x 25	19.975	20.025	25.050	25.076	30.000
CBM022028018*	22	x 28	21.975	22.025	28.050	28.076	18.000
CBM022028022*	22	x 28	21.975	22.025	28.050	28.076	22.000

*When current inventory is depleted, these sizes will be supplied on special order basis only. Minimum order quantities may apply.



Cast Bronze C93200 (SAE 660) Sleeve (Plain) Metric Bearings

PART NUMBER	NOMINAL SIZES		I.D. Min.	I.D. Max.	O.D. Min.	O.D. Max.	LENGTH ±0.120 mm
	I.D.	O.D.					
CBM022028028*	22	x 28	21.975	22.025	28.050	28.076	28.000
CBM025030020	25	x 30	24.975	25.025	30.050	30.076	20.000
CBM025030025	25	x 30	24.975	25.025	30.050	30.076	25.000
CBM025030030	25	x 30	24.975	25.025	30.050	30.076	30.000
CBM028032022*	28	x 32	27.975	28.025	32.050	32.076	22.000
CBM028032028*	28	x 32	27.975	28.025	32.050	32.076	28.000
CBM028033022	28	x 33	27.975	28.025	33.050	33.076	22.000
CBM028033028*	28	x 33	27.975	28.025	33.050	33.076	28.000
CBM030038025*	30	x 38	29.975	30.025	38.050	38.076	25.000
CBM030038030	30	x 38	29.975	30.025	38.050	38.076	30.000
CBM030040025*	30	x 40	29.975	30.025	40.050	40.076	25.000
CBM030040030	30	x 40	29.975	30.025	40.050	40.076	30.000
CBM032038020	32	x 38	31.975	32.025	38.050	38.076	20.000
CBM032038025	32	x 38	31.975	32.025	38.050	38.076	25.000
CBM032038032*	32	x 38	31.975	32.025	38.050	38.076	32.000
CBM032040020*	32	x 40	31.975	32.025	40.050	40.076	20.000
CBM032040025*	32	x 40	31.975	32.025	40.050	40.076	25.000
CBM032040032*	32	x 40	31.975	32.025	40.050	40.076	32.000
CBM035045025	35	x 45	34.975	35.025	45.050	45.076	25.000
CBM035045030*	35	x 45	34.975	35.025	45.050	45.076	30.000
CBM035045035*	35	x 45	34.975	35.025	45.050	45.076	35.000
CBM036042025*	36	x 42	35.975	36.025	42.050	42.076	25.000
CBM036042030*	36	x 42	35.975	36.025	42.050	42.076	30.000
CBM036042035*	36	x 42	35.975	36.025	42.050	42.076	35.000
CBM038044025*	38	x 44	37.975	38.025	44.050	44.076	25.000
CBM038044035*	38	x 44	37.975	38.025	44.050	44.076	35.000
CBM038044045*	38	x 44	37.975	38.025	44.050	44.076	45.000
CBM040050025*	40	x 50	39.975	40.025	50.050	50.076	25.000
CBM040050030*	40	x 50	39.975	40.025	50.050	50.076	30.000
CBM040050035*	40	x 50	39.975	40.025	50.050	50.076	35.000
CBM040050040	40	x 50	39.975	40.025	50.050	50.076	40.000
CBM045055035*	45	x 55	44.975	45.025	55.050	55.076	35.000
CBM045055040*	45	x 55	44.975	45.025	55.050	55.076	40.000
CBM045055045*	45	x 55	44.975	45.025	55.050	55.076	45.000
CBM045055050*	45	x 55	44.975	45.025	55.050	55.076	50.000
CBM050060035*	50	x 60	49.975	50.025	60.050	60.076	35.000
CBM050060050	50	x 60	49.975	50.025	60.050	60.076	50.000
CBM050060060*	50	x 60	49.975	50.025	60.050	60.076	60.000
CBM050060070	50	x 60	49.975	50.025	60.050	60.076	70.000
CBM060070040*	60	x 70	59.975	60.025	70.050	70.076	40.000
CBM060070050*	60	x 70	59.975	60.025	70.050	70.076	50.000
CBM060070070*	60	x 70	59.975	60.025	70.050	70.076	70.000
CBM070080090*	70	x 80	69.975	70.025	80.076	80.127	90.000
CBM070080120*	70	x 80	69.975	70.025	80.076	80.127	120.000
CBM080100080*	80	x 100	79.962	80.038	100.076	100.127	80.000
CBM080100120	80	x 100	79.962	80.038	100.076	100.127	120.000
CBM100120080*	100	x 120	99.962	100.038	120.076	120.127	80.000
CBM100120120*	100	x 120	99.962	100.038	120.076	120.127	120.000

*When current inventory is depleted, these sizes will be supplied on special order basis only. Minimum order quantities may apply.



Cast Bronze C93200 (SAE 660) Flanged Metric Bearings

PART NUMBER	NOMINAL SIZES		I.D. Min.	I.D. Max.	O.D. Min.	O.D. Max.	LENGTH ±0.120 mm	FLANGE	
	I.D.	O.D.						O.D.	THK.
CFM006010006*	6	x 10	5.975	6.025	10.050	10.076	6	14	2.0
CFM006010010	6	x 10	5.975	6.025	10.050	10.076	10	14	2.0
CFM006010016*	6	x 10	5.975	6.025	10.050	10.076	16	14	2.0
CFM008011006*	8	x 11	7.975	8.025	11.050	11.076	6	14	1.5
CFM008011010	8	x 11	7.975	8.025	11.050	11.076	10	14	1.5
CFM008011012*	8	x 11	7.975	8.025	11.050	11.076	12	14	1.5
CFM008012008*	8	x 12	7.975	8.025	12.050	12.076	8	16	2.0
CFM008012010	8	x 12	7.975	8.025	12.050	12.076	10	16	2.0
CFM008012012*	8	x 12	7.975	8.025	12.050	12.076	12	16	2.0
CFM008012016	8	x 12	7.975	8.025	12.050	12.076	16	16	2.0
CFM009014006*	9	x 14	8.975	9.025	14.050	14.076	6	19	2.5
CFM009014010	9	x 14	8.975	9.025	14.050	14.076	10	19	2.5
CFM009014014*	9	x 14	8.975	9.025	14.050	14.076	14	19	2.5
CFM010013006*	10	x 13	9.975	10.025	13.050	13.076	6	16	1.5
CFM010013008*	10	x 13	9.975	10.025	13.050	13.076	8	16	1.5
CFM010013010	10	x 13	9.975	10.025	13.050	13.076	10	16	1.5
CFM010013012*	10	x 13	9.975	10.025	13.050	13.076	12	16	1.5
CFM010013016*	10	x 13	9.975	10.025	13.050	13.076	16	16	1.5
CFM010015010	10	x 15	9.975	10.025	15.050	15.076	10	21	3.0
CFM010015016*	10	x 15	9.975	10.025	15.050	15.076	16	21	3.0
CFM010015020	10	x 15	9.975	10.025	15.050	15.076	20	21	3.0
CFM010016008*	10	x 16	9.975	10.025	16.050	16.076	8	22	3.0
CFM010016010*	10	x 16	9.975	10.025	16.050	16.076	10	22	3.0
CFM010016016	10	x 16	9.975	10.025	16.050	16.076	16	22	3.0
CFM012015008	12	x 15	11.975	12.025	15.050	15.076	8	18	1.5
CFM012015012	12	x 15	11.975	12.025	15.050	15.076	12	18	1.5
CFM012015016*	12	x 15	11.975	12.025	15.050	15.076	16	18	1.5
CFM012015020	12	x 15	11.975	12.025	15.050	15.076	20	18	1.5
CFM012016008	12	x 16	11.975	12.025	16.050	16.076	8	23	3.0
CFM012016012	12	x 16	11.975	12.025	16.050	16.076	12	23	3.0
CFM012016016*	12	x 16	11.975	12.025	16.050	16.076	16	23	3.0
CFM012016020	12	x 16	11.975	12.025	16.050	16.076	20	23	3.0
CFM012018008	12	x 18	11.975	12.025	18.050	18.076	8	24	3.0
CFM012018012	12	x 18	11.975	12.025	18.050	18.076	12	24	3.0
CFM012018016*	12	x 18	11.975	12.025	18.050	18.076	16	24	3.0
CFM012018020	12	x 18	11.975	12.025	18.050	18.076	20	24	3.0
CFM014018012*	14	x 18	13.975	14.025	18.050	18.076	12	22	2.0
CFM014018014	14	x 18	13.975	14.025	18.050	18.076	14	22	2.0
CFM014018018*	14	x 18	13.975	14.025	18.050	18.076	18	22	2.0
CFM014018022*	14	x 18	13.975	14.025	18.050	18.076	22	22	2.0
CFM014020012*	14	x 20	13.975	14.025	20.050	20.076	12	26	3.0
CFM014020014*	14	x 20	13.975	14.025	20.050	20.076	14	26	3.0
CFM014020018*	14	x 20	13.975	14.025	20.050	20.076	18	26	3.0
CFM014020022*	14	x 20	13.975	14.025	20.050	20.076	22	26	3.0
CFM015019012*	15	x 19	14.975	15.025	19.050	19.076	12	23	2.0
CFM015019016	15	x 19	14.975	15.025	19.050	19.076	16	23	2.0
CFM015019020*	15	x 19	14.975	15.025	19.050	19.076	20	23	2.0
CFM015019025*	15	x 19	14.975	15.025	19.050	19.076	25	23	2.0
CFM015021012*	15	x 21	14.975	15.025	21.050	21.076	12	27	3.0
CFM015021016*	15	x 21	14.975	15.025	21.050	21.076	16	27	3.0

*When current inventory is depleted, these sizes will be supplied on special order basis only. Minimum order quantities may apply.



Cast Bronze C93200 (SAE 660) Flanged Metric Bearings

PART NUMBER	NOMINAL SIZES		I.D. Min.	I.D. Max.	O.D. Min.	O.D. Max.	LENGTH ±0.120 mm	FLANGE	
	I.D.	O.D.						O.D.	THK.
								±0.120 mm	
CFM015021020*	15	x 21	14.975	15.025	21.050	21.076	20	27	3.0
CFM015021025*	15	x 21	14.975	15.025	21.050	21.076	25	27	3.0
CFM016020012*	16	x 20	15.975	16.025	20.050	20.076	12	24	2.0
CFM016020016	16	x 20	15.975	16.025	20.050	20.076	16	24	2.0
CFM016020020*	16	x 20	15.975	16.025	20.050	20.076	20	24	2.0
CFM016020025*	16	x 20	15.975	16.025	20.050	20.076	25	24	2.0
CFM016022012*	16	x 22	15.975	16.025	22.050	22.076	12	28	3.0
CFM016022016*	16	x 22	15.975	16.025	22.050	22.076	16	28	3.0
CFM016022020*	16	x 22	15.975	16.025	22.050	22.076	20	28	3.0
CFM016022025*	16	x 22	15.975	16.025	22.050	22.076	25	28	3.0
CFM018022012*	18	x 22	17.975	18.025	22.050	22.076	12	26	2.0
CFM018022018*	18	x 22	17.975	18.025	22.050	22.076	18	26	2.0
CFM018022022*	18	x 22	17.975	18.025	22.050	22.076	22	26	2.0
CFM018022025*	18	x 22	17.975	18.025	22.050	22.076	25	26	2.0
CFM018024012*	18	x 24	17.975	18.025	24.050	24.076	12	30	3.0
CFM018024018*	18	x 24	17.975	18.025	24.050	24.076	18	30	3.0
CFM018024022*	18	x 24	17.975	18.025	24.050	24.076	22	30	3.0
CFM018024025*	18	x 24	17.975	18.025	24.050	24.076	25	30	3.0
CFM020024012*	20	x 24	19.975	20.025	24.050	24.076	12	28	2.0
CFM020024016	20	x 24	19.975	20.025	24.050	24.076	16	28	2.0
CFM020024020	20	x 24	19.975	20.025	24.050	24.076	20	28	2.0
CFM020024025	20	x 24	19.975	20.025	24.050	24.076	25	28	2.0
CFM020026012*	20	x 26	19.975	20.025	26.050	26.076	12	32	3.0
CFM020026016	20	x 26	19.975	20.025	26.050	26.076	16	32	3.0
CFM020026020	20	x 26	19.975	20.025	26.050	26.076	20	32	3.0
CFM020026025*	20	x 26	19.975	20.025	26.050	26.076	25	32	3.0
CFM022027016*	22	x 27	21.975	22.025	27.050	27.076	16	32	2.5
CFM022027018*	22	x 27	21.975	22.025	27.050	27.076	18	32	2.5
CFM022027022*	22	x 27	21.975	22.025	27.050	27.076	22	32	2.5
CFM022027025*	22	x 27	21.975	22.025	27.050	27.076	25	32	2.5
CFM022028016*	22	x 28	21.975	22.025	28.050	28.076	16	34	3.0
CFM022028020*	22	x 28	21.975	22.025	28.050	28.076	20	34	3.0
CFM022029018*	22	x 29	21.975	22.025	29.050	29.076	18	36	3.5
CFM022029022*	22	x 29	21.975	22.025	29.050	29.076	22	36	3.5
CFM022029025*	22	x 29	21.975	22.025	29.050	29.076	25	36	3.5
CFM025030020	25	x 30	24.975	25.025	30.050	30.076	20	39	3.5
CFM025030025*	25	x 30	24.975	25.025	30.050	30.076	25	39	3.5
CFM025030030*	25	x 30	24.975	25.025	30.050	30.076	30	39	3.5
CFM025032020	25	x 32	24.975	25.025	32.050	32.076	20	39	3.5
CFM025032025*	25	x 32	24.975	25.025	32.050	32.076	25	39	3.5
CFM025032030*	25	x 32	24.975	25.025	32.050	32.076	30	39	3.5
CFM028033020*	28	x 33	27.975	28.025	33.050	33.076	20	40	4.0
CFM028033025*	28	x 33	27.975	28.025	33.050	33.076	25	40	4.0
CFM028033032*	28	x 33	27.975	28.025	33.050	33.076	32	40	4.0
CFM028036020*	28	x 36	27.975	28.025	36.050	36.076	20	44	4.0
CFM028036025*	28	x 36	27.975	28.025	36.050	36.076	25	44	4.0
CFM028036032*	28	x 36	27.975	28.025	36.050	36.076	32	44	4.0
CFM030038020	30	x 38	29.975	30.025	38.050	38.076	20	46	4.0
CFM030038025*	30	x 38	29.975	30.025	38.050	38.076	25	46	4.0

*When current inventory is depleted, these sizes will be supplied on special order basis only. Minimum order quantities may apply.



Cast Bronze C93200 (SAE 660) Flanged Metric Bearings

PART NUMBER	NOMINAL SIZES		I.D. Min.	I.D. Max.	O.D. Min.	O.D. Max.	LENGTH ±0.120 mm	FLANGE	
	I.D.	O.D.						O.D.	THK.
								±0.120 mm	
CFM030038030*	30	x 38	29.975	30.025	38.050	38.076	30	46	4.0
CFM032038020*	32	x 38	31.975	32.025	38.050	38.076	20	46	4.0
CFM032038025*	32	x 38	31.975	32.025	38.050	38.076	25	46	4.0
CFM032038032*	32	x 38	31.975	32.025	38.050	38.076	32	46	4.0
CFM040046020	40	x 46	39.975	40.025	46.050	46.076	20	56	5.0
CFM040046025*	40	x 46	39.975	40.025	46.050	46.076	25	56	5.0
CFM040046030*	40	x 46	39.975	40.025	46.050	46.076	30	56	5.0
CFM040046035*	40	x 46	39.975	40.025	46.050	46.076	35	56	5.0
CFM040046040*	40	x 46	39.975	40.025	46.050	46.076	40	56	5.0
CFM040050025*	40	x 50	39.975	40.025	50.050	50.076	25	60	5.0
CFM040050030	40	x 50	39.975	40.025	50.050	50.076	30	60	5.0
CFM040050035*	40	x 50	39.975	40.025	50.050	50.076	35	60	5.0
CFM040050040*	40	x 50	39.975	40.025	50.050	50.076	40	60	5.0
CFM045051025*	45	x 51	44.975	45.025	51.050	51.076	25	57	3.0
CFM045051028*	45	x 51	44.975	45.025	51.050	51.076	28	57	3.0
CFM045051032	45	x 51	44.975	45.025	51.050	51.076	32	57	3.0
CFM045051045*	45	x 51	44.975	45.025	51.050	51.076	45	57	3.0
CFM045056028*	45	x 56	44.975	45.025	56.050	56.076	28	65	5.0
CFM045056035*	45	x 56	44.975	45.025	56.050	56.076	35	65	5.0
CFM045056045*	45	x 56	44.975	45.025	56.050	56.076	45	65	5.0
CFM050056025*	50	x 56	49.975	50.025	56.050	56.076	25	62	3.0
CFM050056030	50	x 56	49.975	50.025	56.050	56.076	30	62	3.0
CFM050056040*	50	x 56	49.975	50.025	56.050	56.076	40	62	3.0
CFM050056050*	50	x 56	49.975	50.025	56.050	56.076	50	62	3.0
CFM050060032*	50	x 60	49.975	50.025	60.050	60.076	32	70	5.0
CFM050060040	50	x 60	49.975	50.025	60.050	60.076	40	70	5.0
CFM050060050*	50	x 60	49.975	50.025	60.050	60.076	50	70	5.0
CFM060070050	60	x 70	59.975	60.025	70.050	70.076	50	80	5.0
CFM060070060*	60	x 70	59.975	60.025	70.050	70.076	60	80	5.0

*When current inventory is depleted, these sizes will be supplied on special order basis only. Minimum order quantities may apply.

Drilling and Oil Grooving Standard Bearings

Any of the standard bearings or bar stock listed in this catalog can be machined, grooved, graphited, drilled or re-machined in many ways to handle a variety of needs.

Unless otherwise specified, the width and depth of oil grooves will be proportional to the wall thickness and size of bearing, contained within the bearing. Special designs or a combination of standard styles, illustrated below, may be furnished if desired.

In order to form a more perfect oil film between the bearing and shaft, we recommend a V-shaped groove whenever the design permits, as it allows full flow of the lubricant across the bearing surface.



Straight



Circular



Style 1



Style 2



Style 3



Style 4



Style 5



Style 11

Graphiting

Any of the standard stock sizes of sleeve (plain) type bronze bearings listed in this catalog are adaptable to grooving and graphiting. A great many different styles of graphiting are available of which the six styles illustrated are the most popular. The depth and width of the groove depend upon the wall thickness, bearing diameter and other factors that may vary with the individual application. Graphite is mechanically forced into the groove under extreme pressure. A film of lubricant is transferred to the shaft as it starts to turn. Graphited bearings are free reaming. Generally speaking, a graphited bearing should be ordered or reamed at assembly, so the I.D. is from 0.001 to 0.002" greater than would be needed if ungraphited bearings were being used.

The SKR style graphited bearing is excellent for high temperature applications.

SKR style bearings are available in bore sizes from 5/16" through 3" with tolerances to meet standard or special applications.

Slightly greater than normal running clearances are also required for SKR bearings. When it is necessary to finish the bearing at assembly, total stock removal should not exceed 0.005". Contact Bunting or your local Authorized Distributor for additional information.



Style 9



Style 5G



Style SKR



Style 7A



Style 10



Plug

Custom Machined Products

Bunting, in addition to its complete multi-casting capabilities, offers comprehensive custom machining facilities which produce bearings and components that are manufactured to the highest standards by our skilled craftsmen. Bunting's computerized, numerical control machining lathes, mills, and other ancillary equipment can produce components from 1/4" to 20" diameter. Bunting's design and engineering group are available to help our customers with their design of custom bearings free of charge.

Bunting's graphited bearings provide a mechanical dry lubrication system. They are oilless and self-lubricating...designed for long life without downtime.

Our standard alloys of C93200 bronze and aluminum bronze provide for extreme temperatures, from 400°F to 800°F. Graphited bearings can be produced by Bunting in many other bronze alloys, to meet customers' specific needs.



Bunting C93200 Continuous Cast Solid, Cored, Wearplate and Centrifugal Cast Bronze Bar

High-Leaded Tin Bronze

CDA 932

SAE 660

83-7-7-3

ASTM B505

ASTM B271

Bunting continuous cast bronze bars of C93200 give superior quality and performance. Continuous casting achieves a high density grain structure, free of porosity, resulting in a reduction of tool wear and component rejects.

Solid and cored bars are stocked in 13" increments and 105" lengths, and are available in other lengths and non-standard sizes. Consider bars for use when you need special bearings, bearings for prototypes, or for emergency repairs.

Wearplate is stocked in 13" increments or 105" lengths, and is available in other lengths and non-standard sizes.

Centrifugal cast large diameter cored bars are also available in 13" lengths as well as made to order sizes and lengths.

Typical Properties: (Not to be used for specification purposes.)

Copper.....	81.00 – 85.00%
Tin.....	6.25 – 7.50%
Lead.....	6.00 – 8.00%
Zinc.....	2.00 – 4.00%

Physical Properties:

Continuous Cast

Centrifugal Cast

Tensile Strength, PSI.....	35,000 min.	35,000 min.
Yield Strength, PSI.....	20,000 min.	20,000 min.
Elongation.....	10% min.	10% min.
Brinell Hardness (500 kg load).....		65 typical
Machinability Rating.....		70
Minimum Operating Temperature.....		-450°F
Maximum Operating Temperature.....		+500°F

C93200 is a general purpose bearing, bushing and washer material with good anti-frictional properties, moderate load-carrying ability and good machinability.



C93200 (SAE 660) Continuous Cast Bronze Solid Bars

PART NUMBER	NOMINAL SIZES			O.D. Min.	O.D. Max.
	I.D.		O.D.		
B932S000003	SOLID	x	3/8	0.4060	0.4160
B932S000004	SOLID	x	1/2	0.5310	0.5410
B932S000005	SOLID	x	5/8	0.6560	0.6660
B932S000006	SOLID	x	3/4	0.7810	0.7910
B932S000007	SOLID	x	7/8	0.9060	0.9160
B932S000008	SOLID	x	1	1.0310	1.0410
B932S000009	SOLID	x	1 1/8	1.1560	1.1660
B932S000010	SOLID	x	1 1/4	1.2810	1.2910
B932S000011	SOLID	x	1 3/8	1.4060	1.4160
B932S000012	SOLID	x	1 1/2	1.5310	1.5410
B932S000013	SOLID	x	1 5/8	1.6560	1.6660
B932S000014	SOLID	x	1 3/4	1.7810	1.7910
B932S000015*	SOLID	x	1 7/8	1.9060	1.9160
B932S000016	SOLID	x	2	2.0340	2.0440
B932S000017*	SOLID	x	2 1/8	2.1590	2.1690
B932S000018	SOLID	x	2 1/4	2.2840	2.2940
B932S000019*	SOLID	x	2 3/8	2.4090	2.4190
B932S000020	SOLID	x	2 1/2	2.5340	2.5440
B932S000021*	SOLID	x	2 5/8	2.6590	2.6690
B932S000022	SOLID	x	2 3/4	2.7840	2.7940
B932S000024	SOLID	x	3	3.0340	3.0440
B932S000026	SOLID	x	3 1/4	3.2840	3.2940
B932S000028	SOLID	x	3 1/2	3.5340	3.5440
B932S000030	SOLID	x	3 3/4	3.7840	3.7940
B932S000032	SOLID	x	4	4.0550	4.0710
B932S000034	SOLID	x	4 1/4	4.3050	4.3210
B932S000036	SOLID	x	4 1/2	4.5550	4.5710
B932S000038*	SOLID	x	4 3/4	4.8050	4.8210
B932S000040	SOLID	x	5	5.0550	5.0710
B932S000044	SOLID	x	5 1/2	5.5780	5.6100
B932S000048	SOLID	x	6	6.0780	6.1100
B932S000052	SOLID	x	6 1/2	6.5780	6.6100
B932S000056	SOLID	x	7	7.0780	7.1100
B932S000060	SOLID	x	7 1/2	7.5780	7.6100
B932S000064	SOLID	x	8	8.0780	8.1100
B932S000072	SOLID	x	9	9.0780	9.1100
B932S000080	SOLID	x	10	10.0940	10.1340
B932S000088	SOLID	x	11	11.0940	11.1340
B932S000096	SOLID	x	12	12.0940	12.1340

*When current inventory is depleted, these sizes will be supplied on special order basis only. Minimum order quantities may apply.



C93200 (SAE 660) Continuous Cast Bronze Cored Bars

PART NUMBER	NOMINAL SIZES		I.D. Min.	I.D. Max.	O.D. Min.	O.D. Max.
	I.D.	O.D.				
B932C004008	1/2	x 1	0.4360	0.4800	1.0310	1.0410
B932C004009*	1/2	x 1 1/8	0.4360	0.4800	1.1560	1.1660
B932C004010	1/2	x 1 1/4	0.4360	0.4800	1.2810	1.2910
B932C004012	1/2	x 1 1/2	0.4360	0.4800	1.5310	1.5410
B932C004014*	1/2	x 1 3/4	0.4360	0.4800	1.7810	1.7910
B932C004016	1/2	x 2	0.4360	0.4800	2.0340	2.0440
B932C005008	5/8	x 1	0.5610	0.6050	1.0310	1.0410
B932C005009	5/8	x 1 1/8	0.5610	0.6050	1.1560	1.1660
B932C005010*	5/8	x 1 1/4	0.5610	0.6050	1.2810	1.2910
B932C005011*	5/8	x 1 3/8	0.5610	0.6050	1.4060	1.4160
B932C005016*	5/8	x 2	0.5610	0.6050	2.0340	2.0440
B932C006008	3/4	x 1	0.6860	0.7300	1.0310	1.0410
B932C006009	3/4	x 1 1/8	0.6860	0.7300	1.1560	1.1660
B932C006010	3/4	x 1 1/4	0.6860	0.7300	1.2810	1.2910
B932C006011	3/4	x 1 3/8	0.6860	0.7300	1.4060	1.4160
B932C006012	3/4	x 1 1/2	0.6860	0.7300	1.5310	1.5410
B932C006014	3/4	x 1 3/4	0.6860	0.7300	1.7810	1.7910
B932C006016	3/4	x 2	0.6860	0.7300	2.0340	2.0440
B932C006018	3/4	x 2 1/4	0.6860	0.7300	2.2840	2.2940
B932C006020*	3/4	x 2 1/2	0.6860	0.7300	2.5340	2.5440
B932C006022*	3/4	x 2 3/4	0.6860	0.7300	2.7840	2.7940
B932C007009	7/8	x 1 1/8	0.8110	0.8550	1.1560	1.1660
B932C007010	7/8	x 1 1/4	0.8110	0.8550	1.2810	1.2910
B932C007011	7/8	x 1 3/8	0.8110	0.8550	1.4060	1.4160
B932C007012	7/8	x 1 1/2	0.8110	0.8550	1.5310	1.5410
B932C007013*	7/8	x 1 5/8	0.8110	0.8550	1.6560	1.6660
B932C007014*	7/8	x 1 3/4	0.8110	0.8550	1.7810	1.7910
B932C007016*	7/8	x 2	0.8110	0.8550	2.0340	2.0440
B932C008010	1	x 1 1/4	0.9360	0.9800	1.2810	1.2910
B932C008011	1	x 1 3/8	0.9360	0.9800	1.4060	1.4160
B932C008012	1	x 1 1/2	0.9360	0.9800	1.5310	1.5410
B932C008013	1	x 1 5/8	0.9360	0.9800	1.6560	1.6660
B932C008014	1	x 1 3/4	0.9360	0.9800	1.7810	1.7910
B932C008016	1	x 2	0.9360	0.9800	2.0340	2.0440
B932C008018	1	x 2 1/4	0.9360	0.9800	2.2840	2.2940
B932C008019*	1	x 2 3/8	0.9360	0.9800	2.4090	2.4190
B932C008020	1	x 2 1/2	0.9360	0.9800	2.5340	2.5440
B932C008022	1	x 2 3/4	0.9360	0.9800	2.7840	2.7940
B932C008024	1	x 3	0.9360	0.9800	3.0340	3.0440
B932C008026*	1	x 3 1/4	0.9360	0.9800	3.2840	3.2940
B932C008028	1	x 3 1/2	0.9360	0.9800	3.5340	3.5440
B932C008032	1	x 4	0.8910	0.9530	4.0550	4.0710
B932C009011	1 1/8	x 1 3/8	1.0610	1.1050	1.4060	1.4160
B932C009012	1 1/8	x 1 1/2	1.0610	1.1050	1.5310	1.5410
B932C009013*	1 1/8	x 1 5/8	1.0610	1.1050	1.6560	1.6660
B932C009015*	1 1/8	x 1 7/8	1.0610	1.1050	1.9060	1.9160
B932C009016	1 1/8	x 2	1.0610	1.1050	2.0340	2.0440
B932C010012	1 1/4	x 1 1/2	1.1860	1.2300	1.5310	1.5410
B932C010013	1 1/4	x 1 5/8	1.1860	1.2300	1.6560	1.6660
B932C010014	1 1/4	x 1 3/4	1.1860	1.2300	1.7810	1.7910
B932C010015	1 1/4	x 1 7/8	1.1860	1.2300	1.9060	1.9160

*When current inventory is depleted, these sizes will be supplied on special order basis only. Minimum order quantities may apply.



C93200 (SAE 660) Continuous Cast Bronze Cored Bars

PART NUMBER	NOMINAL SIZES		I.D. Min.	I.D. Max.	O.D. Min.	O.D. Max.
	I.D.	O.D.				
B932C010016	1 1/4	x 2	1.1860	1.2300	2.0340	2.0440
B932C010018	1 1/4	x 2 1/4	1.1860	1.2300	2.2840	2.2940
B932C010020	1 1/4	x 2 1/2	1.1860	1.2300	2.5340	2.5440
B932C010022	1 1/4	x 2 3/4	1.1860	1.2300	2.7840	2.7940
B932C010024	1 1/4	x 3	1.1860	1.2300	3.0340	3.0440
B932C010026	1 1/4	x 3 1/4	1.1860	1.2300	3.2840	3.2940
B932C010028	1 1/4	x 3 1/2	1.1860	1.2300	3.5340	3.5440
B932C010032*	1 1/4	x 4	1.1410	1.2030	4.0550	4.0710
B932C011013	1 3/8	x 1 5/8	1.3110	1.3550	1.6560	1.6660
B932C011014	1 3/8	x 1 3/4	1.3110	1.3550	1.7810	1.7910
B932C011015*	1 3/8	x 1 7/8	1.3110	1.3550	1.9060	1.9160
B932C011016	1 3/8	x 2	1.3110	1.3550	2.0340	2.0440
B932C011017	1 3/8	x 2 1/8	1.3110	1.3550	2.1590	2.1690
B932C011018*	1 3/8	x 2 1/4	1.3110	1.3550	2.2840	2.2940
B932C011020	1 3/8	x 2 1/2	1.3110	1.3550	2.5340	2.5440
B932C011024*	1 3/8	x 3	1.3110	1.3550	3.0340	3.0440
B932C012014	1 1/2	x 1 3/4	1.4360	1.4800	1.7810	1.7910
B932C012015	1 1/2	x 1 7/8	1.4360	1.4800	1.9060	1.9160
B932C012016	1 1/2	x 2	1.4360	1.4800	2.0340	2.0440
B932C012017*	1 1/2	x 2 1/8	1.4360	1.4800	2.1590	2.1690
B932C012018	1 1/2	x 2 1/4	1.4360	1.4800	2.2840	2.2940
B932C012019	1 1/2	x 2 3/8	1.4360	1.4800	2.4090	2.4190
B932C012020	1 1/2	x 2 1/2	1.4360	1.4800	2.5340	2.5440
B932C012022	1 1/2	x 2 3/4	1.4360	1.4800	2.7840	2.7940
B932C012024	1 1/2	x 3	1.4360	1.4800	3.0340	3.0440
B932C012026	1 1/2	x 3 1/4	1.4360	1.4800	3.2840	3.2940
B932C012028	1 1/2	x 3 1/2	1.4360	1.4800	3.5340	3.5440
B932C012030	1 1/2	x 3 3/4	1.4360	1.4800	3.7840	3.7940
B932C012032	1 1/2	x 4	1.3910	1.4530	4.0550	4.0710
B932C012036	1 1/2	x 4 1/2	1.3910	1.4530	4.5550	4.5710
B932C013016	1 5/8	x 2	1.5610	1.6050	2.0340	2.0440
B932C013017	1 5/8	x 2 1/8	1.5610	1.6050	2.1590	2.1690
B932C013018*	1 5/8	x 2 1/4	1.5610	1.6050	2.2840	2.2940
B932C013020*	1 5/8	x 2 1/2	1.5610	1.6050	2.5340	2.5440
B932C013022	1 5/8	x 2 3/4	1.5610	1.6050	2.7840	2.7940
B932C013024*	1 5/8	x 3	1.5610	1.6050	3.0340	3.0440
B932C014016	1 3/4	x 2	1.6860	1.7300	2.0340	2.0440
B932C014017	1 3/4	x 2 1/8	1.6860	1.7300	2.1590	2.1690
B932C014018	1 3/4	x 2 1/4	1.6860	1.7300	2.2840	2.2940
B932C014019	1 3/4	x 2 3/8	1.6860	1.7300	2.4090	2.4190
B932C014020	1 3/4	x 2 1/2	1.6860	1.7300	2.5340	2.5440
B932C014021*	1 3/4	x 2 5/8	1.6860	1.7300	2.6590	2.6690
B932C014022	1 3/4	x 2 3/4	1.6860	1.7300	2.7840	2.7940
B932C014024	1 3/4	x 3	1.6860	1.7300	3.0340	3.0440
B932C014026	1 3/4	x 3 1/4	1.6860	1.7300	3.2840	3.2940
B932C014028	1 3/4	x 3 1/2	1.6860	1.7300	3.5340	3.5440
B932C014030	1 3/4	x 3 3/4	1.6860	1.7300	3.7840	3.7940
B932C014032*	1 3/4	x 4	1.6410	1.7030	4.0550	4.0710
B932C014034*	1 3/4	x 4 1/4	1.6410	1.7030	4.3050	4.3210
B932C015018	1 7/8	x 2 1/4	1.8110	1.8550	2.2840	2.2940
B932C015019	1 7/8	x 2 3/8	1.8110	1.8550	2.4090	2.4190

*When current inventory is depleted, these sizes will be supplied on special order basis only. Minimum order quantities may apply.



C93200 (SAE 660) Continuous Cast Bronze Cored Bars

PART NUMBER	NOMINAL SIZES		I.D. Min.	I.D. Max.	O.D. Min.	O.D. Max.
	I.D.	O.D.				
B932C015020*	1 7/8	x 2 1/2	1.8110	1.8550	2.5340	2.5440
B932C015021*	1 7/8	x 2 5/8	1.8110	1.8550	2.6590	2.6690
B932C015024*	1 7/8	x 3	1.8110	1.8550	3.0340	3.0440
B932C016018	2	x 2 1/4	1.9360	1.9800	2.2840	2.2940
B932C016019	2	x 2 3/8	1.9360	1.9800	2.4090	2.4190
B932C016020	2	x 2 1/2	1.9360	1.9800	2.5340	2.5440
B932C016021	2	x 2 5/8	1.9360	1.9800	2.6590	2.6690
B932C016022	2	x 2 3/4	1.9360	1.9800	2.7840	2.7940
B932C016023	2	x 2 7/8	1.9360	1.9800	2.9090	2.9190
B932C016024	2	x 3	1.9360	1.9800	3.0340	3.0440
B932C016026	2	x 3 1/4	1.9360	1.9800	3.2840	3.2940
B932C016028	2	x 3 1/2	1.9360	1.9800	3.5340	3.5440
B932C016030	2	x 3 3/4	1.9360	1.9800	3.7840	3.7940
B932C016032	2	x 4	1.8910	1.9530	4.0550	4.0710
B932C016036	2	x 4 1/2	1.8910	1.9530	4.5550	4.5710
B932C016040	2	x 5	1.8910	1.9530	5.0550	5.0710
B932C016044	2	x 5 1/2	1.8420	1.9380	5.5780	5.6100
B932C016048	2	x 6	1.8420	1.9380	6.0780	6.1100
B932C017021*	2 1/8	x 2 5/8	2.0610	2.1050	2.6590	2.6690
B932C017022*	2 1/8	x 2 3/4	2.0610	2.1050	2.7840	2.7940
B932C017023*	2 1/8	x 2 7/8	2.0610	2.1050	2.9090	2.9190
B932C018022	2 1/4	x 2 3/4	2.1860	2.2300	2.7840	2.7940
B932C018023*	2 1/4	x 2 7/8	2.1860	2.2300	2.9090	2.9190
B932C018024	2 1/4	x 3	2.1860	2.2300	3.0340	3.0440
B932C018026	2 1/4	x 3 1/4	2.1860	2.2300	3.2840	3.2940
B932C018028	2 1/4	x 3 1/2	2.1860	2.2300	3.5340	3.5440
B932C018030	2 1/4	x 3 3/4	2.1860	2.2300	3.7840	3.7940
B932C018032	2 1/4	x 4	2.1410	2.2030	4.0550	4.0710
B932C018034	2 1/4	x 4 1/4	2.1410	2.2030	4.3050	4.3210
B932C019023*	2 3/8	x 2 7/8	2.3110	2.3550	2.9090	2.9190
B932C019024	2 3/8	x 3	2.3110	2.3550	3.0340	3.0440
B932C019026*	2 3/8	x 3 1/4	2.3110	2.3550	3.2840	3.2940
B932C019028*	2 3/8	x 3 1/2	2.3110	2.3550	3.5340	3.5440
B932C020023	2 1/2	x 2 7/8	2.4360	2.4800	2.9090	2.9190
B932C020024	2 1/2	x 3	2.4360	2.4800	3.0340	3.0440
B932C020025*	2 1/2	x 3 1/8	2.4360	2.4800	3.1590	3.1690
B932C020026	2 1/2	x 3 1/4	2.4360	2.4800	3.2840	3.2940
B932C020028	2 1/2	x 3 1/2	2.4360	2.4800	3.5340	3.5440
B932C020030	2 1/2	x 3 3/4	2.4360	2.4800	3.7840	3.7940
B932C020032	2 1/2	x 4	2.3910	2.4530	4.0550	4.0710
B932C020034	2 1/2	x 4 1/4	2.3910	2.4530	4.3050	4.3210
B932C020036	2 1/2	x 4 1/2	2.3910	2.4530	4.5550	4.5710
B932C020038	2 1/2	x 4 3/4	2.3910	2.4530	4.8050	4.8210
B932C020040	2 1/2	x 5	2.3910	2.4530	5.0550	5.0710
B932C020044	2 1/2	x 5 1/2	2.3420	2.4380	5.5780	5.6100
B932C020048	2 1/2	x 6	2.3420	2.4380	6.0780	6.1100
B932C021028*	2 5/8	x 3 1/2	2.5610	2.6050	3.5340	3.5440
B932C022026	2 3/4	x 3 1/4	2.6860	2.7300	3.2840	3.2940
B932C022028	2 3/4	x 3 1/2	2.6860	2.7300	3.5340	3.5440
B932C022030	2 3/4	x 3 3/4	2.6860	2.7300	3.7840	3.7940
B932C022032	2 3/4	x 4	2.6410	2.7030	4.0550	4.0710

*When current inventory is depleted, these sizes will be supplied on special order basis only. Minimum order quantities may apply.



C93200 (SAE 660) Continuous Cast Bronze Cored Bars

PART NUMBER	NOMINAL SIZES			I.D. Min.	I.D. Max.	O.D. Min.	O.D. Max.
	I.D.		O.D.				
B932C022034	2 3/4	x	4 1/4	2.6410	2.7030	4.3050	4.3210
B932C022036	2 3/4	x	4 1/2	2.6410	2.7030	4.5550	4.5710
B932C022038*	2 3/4	x	4 3/4	2.6410	2.7030	4.8050	4.8210
B932C023032*	2 7/8	x	4	2.7660	2.8280	4.0550	4.0710
B932C024028	3	x	3 1/2	2.9360	2.9800	3.5340	3.5440
B932C024029*	3	x	3 5/8	2.9360	2.9800	3.6590	3.6690
B932C024030	3	x	3 3/4	2.9360	2.9800	3.7840	3.7940
B932C024032	3	x	4	2.8910	2.9530	4.0550	4.0710
B932C024034	3	x	4 1/4	2.8910	2.9530	4.3050	4.3210
B932C024036	3	x	4 1/2	2.8910	2.9530	4.5550	4.5710
B932C024038	3	x	4 3/4	2.8910	2.9530	4.8050	4.8210
B932C024040	3	x	5	2.8910	2.9530	5.0550	5.0710
B932C024044	3	x	5 1/2	2.8420	2.9380	5.5780	5.6100
B932C024048	3	x	6	2.8420	2.9380	6.0780	6.1100
B932C024052	3	x	6 1/2	2.8420	2.9380	6.5780	6.6100
B932C024056	3	x	7	2.8420	2.9380	7.0780	7.1100
B932C024064	3	x	8	2.8420	2.9380	8.0780	8.1100
B932C026030*	3 1/4	x	3 3/4	3.1860	3.2300	3.7840	3.7940
B932C026032	3 1/4	x	4	3.1410	3.2030	4.0550	4.0710
B932C026034	3 1/4	x	4 1/4	3.1410	3.2030	4.3050	4.3210
B932C026036*	3 1/4	x	4 1/2	3.1410	3.2030	4.5550	4.5710
B932C026038*	3 1/4	x	4 3/4	3.1410	3.2030	4.8050	4.8210
B932C026040*	3 1/4	x	5	3.1410	3.2030	5.0550	5.0710
B932C026044*	3 1/4	x	5 1/2	3.0920	3.1880	5.5780	5.6100
B932C028032	3 1/2	x	4	3.3910	3.4530	4.0550	4.0710
B932C028034	3 1/2	x	4 1/4	3.3910	3.4530	4.3050	4.3210
B932C028036	3 1/2	x	4 1/2	3.3910	3.4530	4.5550	4.5710
B932C028038	3 1/2	x	4 3/4	3.3910	3.4530	4.8050	4.8210
B932C028040	3 1/2	x	5	3.3910	3.4530	5.0550	5.0710
B932C028044	3 1/2	x	5 1/2	3.3420	3.4380	5.5780	5.6100
B932C028048	3 1/2	x	6	3.3420	3.4380	6.0780	6.1100
B932C028052	3 1/2	x	6 1/2	3.3420	3.4380	6.5780	6.6100
B932C030036	3 3/4	x	4 1/2	3.6410	3.7030	4.5550	4.5710
B932C030038	3 3/4	x	4 3/4	3.6410	3.7030	4.8050	4.8210
B932C030040	3 3/4	x	5	3.6410	3.7030	5.0550	5.0710
B932C030044*	3 3/4	x	5 1/2	3.5920	3.6880	5.5780	5.6100
B932C030048*	3 3/4	x	6	3.5920	3.6880	6.0780	6.1100
B932C032036	4	x	4 1/2	3.8910	3.9530	4.5550	4.5710
B932C032038	4	x	4 3/4	3.8910	3.9530	4.8050	4.8210
B932C032040	4	x	5	3.8910	3.9530	5.0550	5.0710
B932C032042	4	x	5 1/4	3.8420	3.9380	5.3280	5.3600
B932C032044	4	x	5 1/2	3.8420	3.9380	5.5780	5.6100
B932C032048	4	x	6	3.8420	3.9380	6.0780	6.1100
B932C032052	4	x	6 1/2	3.8420	3.9380	6.5780	6.6100
B932C032056	4	x	7	3.8420	3.9380	7.0780	7.1100
B932C032060	4	x	7 1/2	3.8420	3.9380	7.5780	7.6100
B932C032064	4	x	8	3.8420	3.9380	8.0780	8.1100
B932C032072	4	x	9	3.8420	3.9380	9.0780	9.1100
B932C034038	4 1/4	x	4 3/4	4.1410	4.2030	4.8050	4.8210
B932C034040*	4 1/4	x	5	4.1410	4.2030	5.0550	5.0710
B932C034042	4 1/4	x	5 1/4	4.0920	4.1880	5.3280	5.3600

*When current inventory is depleted, these sizes will be supplied on special order basis only. Minimum order quantities may apply.



C93200 (SAE 660) Continuous Cast Bronze Cored Bars

PART NUMBER	NOMINAL SIZES			I.D. Min.	I.D. Max.	O.D. Min.	O.D. Max.
	I.D.		O.D.				
B932C034044*	4 1/4	x	5 1/2	4.0920	4.1880	5.5780	5.6100
B932C034048*	4 1/4	x	6	4.0920	4.1880	6.0780	6.1100
B932C034052*	4 1/4	x	6 1/2	4.0920	4.1880	6.5780	6.6100
B932C036040	4 1/2	x	5	4.3910	4.4530	5.0550	5.0710
B932C036044	4 1/2	x	5 1/2	4.3420	4.4380	5.5780	5.6100
B932C036048	4 1/2	x	6	4.3420	4.4380	6.0780	6.1100
B932C036052	4 1/2	x	6 1/2	4.3420	4.4380	6.5780	6.6100
B932C036056*	4 1/2	x	7	4.3420	4.4380	7.0780	7.1100
B932C038046	4 3/4	x	5 3/4	4.5920	4.6880	5.8280	5.8600
B932C038048*	4 3/4	x	6	4.5920	4.6880	6.0780	6.1100
B932C038052*	4 3/4	x	6 1/2	4.5920	4.6880	6.5780	6.6100
B932C040044	5	x	5 1/2	4.8420	4.9380	5.5780	5.6100
B932C040048	5	x	6	4.8420	4.9380	6.0780	6.1100
B932C040052	5	x	6 1/2	4.8420	4.9380	6.5780	6.6100
B932C040056	5	x	7	4.8420	4.9380	7.0780	7.1100
B932C040060	5	x	7 1/2	4.8420	4.9380	7.5780	7.6100
B932C040064	5	x	8	4.8420	4.9380	8.0780	8.1100
B932C040072	5	x	9	4.8420	4.9380	9.0780	9.1100
B932C040080	5	x	10	4.8180	4.9380	10.0940	10.1340
B932C042056*	5 1/4	x	7	5.0920	5.1880	7.0780	7.1100
B932C044048*	5 1/2	x	6	5.3420	5.4380	6.0780	6.1100
B932C044052	5 1/2	x	6 1/2	5.3420	5.4380	6.5780	6.6100
B932C044056	5 1/2	x	7	5.3420	5.4380	7.0780	7.1100
B932C044060	5 1/2	x	7 1/2	5.3420	5.4380	7.5780	7.6100
B932C044064	5 1/2	x	8	5.3420	5.4380	8.0780	8.1100
B932C046054	5 3/4	x	6 3/4	5.5920	5.6880	6.8280	6.8600
B932C046060*	5 3/4	x	7 1/2	5.5920	5.6880	7.5780	7.6100
B932C046064*	5 3/4	x	8	5.5920	5.6880	8.0780	8.1100
B932C048052*	6	x	6 1/2	5.8420	5.9380	6.5780	6.6100
B932C048054	6	x	6 3/4	5.8420	5.9380	6.8280	6.8600
B932C048056	6	x	7	5.8420	5.9380	7.0780	7.1100
B932C048060	6	x	7 1/2	5.8420	5.9380	7.5780	7.6100
B932C048064	6	x	8	5.8420	5.9380	8.0780	8.1100
B932C048068	6	x	8 1/2	5.8420	5.9380	8.5780	8.6100
B932C048072	6	x	9	5.8420	5.9380	9.0780	9.1100
B932C048080	6	x	10	5.8180	5.9380	10.0940	10.1340
B932C048088*	6	x	11	5.8180	5.9380	11.0940	11.1340
B932C048096	6	x	12	5.8180	5.9380	12.0940	12.1340
B932C052060	6 1/2	x	7 1/2	6.3420	6.4380	7.5780	7.6100
B932C052064	6 1/2	x	8	6.3420	6.4380	8.0780	8.1100
B932C052068	6 1/2	x	8 1/2	6.3420	6.4380	8.5780	8.6100
B932C052072*	6 1/2	x	9	6.3420	6.4380	9.0780	9.1100
B932C052076*	6 1/2	x	9 1/2	6.3180	6.4380	9.5940	9.6340
B932C056064	7	x	8	6.8420	6.9380	8.0780	8.1100
B932C056068	7	x	8 1/2	6.8420	6.9380	8.5780	8.6100
B932C056072	7	x	9	6.8420	6.9380	9.0780	9.1100
B932C056076	7	x	9 1/2	6.8180	6.9380	9.5780	9.6340
B932C056080	7	x	10	6.8180	6.9380	10.0940	10.1340
B932C056088	7	x	11	6.8180	6.9380	11.0940	11.1340
B932C056096*	7	x	12	6.8180	6.9380	12.0940	12.1340
B932C060068	7 1/2	x	8 1/2	7.3420	7.4380	8.5780	8.6100

*When current inventory is depleted, these sizes will be supplied on special order basis only. Minimum order quantities may apply.



C93200 (SAE 660) Continuous Cast Bronze Cored Bars

PART NUMBER	NOMINAL SIZES			I.D. Min.	I.D. Max.	O.D. Min.	O.D. Max.
	I.D.		O.D.				
B932C060076	7 1/2	x	9 1/2	7.3180	7.4380	9.5780	9.6340
B932C060084*	7 1/2	x	10 1/2	7.3180	7.4380	10.5780	10.6340
B932C064072	8	x	9	7.8420	7.9380	9.0780	9.1100
B932C064076	8	x	9 1/2	7.8180	7.9380	9.0940	9.6340
B932C064080	8	x	10	7.8180	7.9380	10.0940	10.1340
B932C064084	8	x	10 1/2	7.8180	7.9380	10.0940	10.6340
B932C064088*	8	x	11	7.8180	7.9380	11.0940	11.1340
B932C064096	8	x	12	7.8180	7.9380	12.0940	12.1340
B932C068076	8 1/2	x	9 1/2	8.3180	8.4380	9.0940	9.6340
B932C068084*	8 1/2	x	10 1/2	8.3180	8.4380	10.0940	10.6340
B932C068092	8 1/2	x	11 1/2	8.3180	8.4380	11.5780	11.6340
B932C072080	9	x	10	8.8180	8.9380	10.0940	10.1340
B932C072084	9	x	10 1/2	8.8180	8.9380	10.0940	10.6340
B932C072088	9	x	11	8.8180	8.9380	11.0940	11.1340
B932C072092*	9	x	11 1/2	8.8180	8.9380	11.0940	11.6340
B932C072096	9	x	12	8.8180	8.9380	12.0940	12.1340
B932C076084*	9 1/2	x	10 1/2	9.3180	9.4380	10.0940	10.6340
B932C076088*	9 1/2	x	11	9.3180	9.4380	11.0940	11.1340
B932C076092	9 1/2	x	11 1/2	9.3180	9.4380	11.0940	11.6340
B932C076100	9 1/2	x	12 1/2	9.3180	9.4380	12.0940	12.6340
B932C080088	10	x	11	9.8180	9.9380	11.0940	11.1340
B932C080092	10	x	11 1/2	9.8180	9.9380	11.0940	11.6340
B932C080096	10	x	12	9.8180	9.9380	12.0940	12.1340
B932C080112	10	x	14	9.8180	9.9380	14.0940	14.1340
B932C084092*	10 1/2	x	11 1/2	10.3180	10.4380	11.0940	11.6340
B932C084096*	10 1/2	x	12	10.3180	10.4380	12.0940	12.1340
B932C084100*	10 1/2	x	12 1/2	10.3180	10.4380	12.0940	12.6340
B932C084104*	10 1/2	x	13	10.3180	10.4380	13.0940	13.1340
B932C088096*	11	x	12	10.8180	10.9380	12.0940	12.1340
B932C088112*	11	x	14	10.8180	10.9380	14.0940	14.1340
B932C092104	11 1/2	x	13	11.3180	11.4380	13.0940	13.1340
B932C096112	12	x	14	11.8180	11.9380	14.0940	14.1340
B932C096120	12	x	15	11.8180	11.9380	15.0940	15.1340
B932C104120	13	x	15	12.8180	12.9380	15.0940	15.1340

*When current inventory is depleted, these sizes will be supplied on special order basis only. Minimum order quantities may apply.



C93200 (SAE 660) Continuous Cast Bronze Wearplate

PART NUMBER	NOMINAL SIZES			THICKNESS		WIDTH	
	THICKNESS		WIDTH	Min.	Max.	Min.	Max.
B932W002016	1/4	x	2	0.295	0.325	2.045	2.075
B932W002024	1/4	x	3	0.295	0.325	3.045	3.075
B932W002032	1/4	x	4	0.325	0.355	4.075	4.105
B932W002064	1/4	x	8	0.355	0.385	8.105	8.135
B932W002096	1/4	x	12	0.355	0.385	12.105	12.135
B932W003016	3/8	x	2	0.420	0.450	2.045	2.075
B932W003032	3/8	x	4	0.450	0.480	4.075	4.105
B932W003064	3/8	x	8	0.480	0.510	8.105	8.135
B932W003096	3/8	x	12	0.480	0.510	12.105	12.135
B932W004008	1/2	x	1	0.545	0.575	1.045	1.075
B932W004016	1/2	x	2	0.545	0.575	2.045	2.075
B932W004032	1/2	x	4	0.575	0.605	4.075	4.105
B932W004048	1/2	x	6	0.605	0.635	6.105	6.135
B932W004064	1/2	x	8	0.605	0.635	8.105	8.135
B932W004096	1/2	x	12	0.605	0.635	12.105	12.135
B932W006008	3/4	x	1	0.795	0.825	1.045	1.075
B932W006016	3/4	x	2	0.795	0.825	2.045	2.075
B932W006032	3/4	x	4	0.825	0.855	4.075	4.105
B932W006048	3/4	x	6	0.855	0.885	6.105	6.135
B932W006064	3/4	x	8	0.855	0.885	8.105	8.135
B932W006096	3/4	x	12	0.855	0.885	12.105	12.135
B932W008008	1	x	1	1.045	1.075	1.045	1.075
B932W008016	1	x	2	1.045	1.075	2.045	2.075
B932W008032	1	x	4	1.075	1.105	4.075	4.105
B932W008048	1	x	6	1.105	1.135	6.105	6.135
B932W008064	1	x	8	1.105	1.135	8.105	8.135
B932W008080	1	x	10	1.105	1.135	10.105	10.135
B932W008096	1	x	12	1.105	1.135	12.105	12.135
B932W010016	1 1/4	x	2	1.295	1.325	2.045	2.075
B932W010032	1 1/4	x	4	1.325	1.355	4.075	4.105
B932W010048	1 1/4	x	6	1.355	1.385	6.105	6.135
B932W010064	1 1/4	x	8	1.355	1.385	8.105	8.135
B932W012016	1 1/2	x	2	1.545	1.575	2.045	2.075
B932W012032	1 1/2	x	4	1.575	1.605	4.075	4.105
B932W012064	1 1/2	x	8	1.605	1.635	8.105	8.135
B932W012096	1 1/2	x	12	1.605	1.635	12.105	12.135
B932W014032	1 3/4	x	4	1.825	1.855	4.075	4.105
B932W016016	2	x	2	2.045	2.075	2.045	2.075
B932W016032	2	x	4	2.075	2.105	4.075	4.105
B932W016064	2	x	8	2.105	2.135	8.105	8.135
B932W016096	2	x	12	2.105	2.135	12.105	12.135
B932W020032	2 1/2	x	4	2.575	2.605	4.075	4.105
B932W020064	2 1/2	x	8	2.605	2.635	8.105	8.135
B932W024024	3	x	3	3.045	3.075	3.045	3.075
B932W024048	3	x	6	3.105	3.135	6.105	6.135
B932W024096	3	x	12	3.105	3.135	12.105	12.135



C93200 (SAE 660) Centrifugal Cast Bronze Cored Bars

PART NUMBER	NOMINAL SIZES			I.D. Min.	I.D. Max.	O.D. Min.	O.D. Max.
	I.D.		O.D.				
B932F040072	5	x	9	4.8600	4.8900	9.1100	9.1400
B932F040080	5	x	10	4.8600	4.8900	10.1100	10.1400
B932F040084	5	x	10 1/2	4.8600	4.8900	10.6100	10.6400
B932F040088	5	x	11	4.8600	4.8900	11.1100	11.1400
B932F040092	5	x	11 1/2	4.8600	4.8900	11.6100	11.6400
B932F040096	5	x	12	4.8600	4.8900	12.1100	12.1400
B932F040100	5	x	12 1/2	4.8600	4.8900	12.6100	12.6400
B932F044080	5 1/2	x	10	5.3600	5.3900	10.1100	10.1400
B932F044084	5 1/2	x	10 1/2	5.3600	5.3900	10.6100	10.6400
B932F044088	5 1/2	x	11	5.3600	5.3900	11.1100	11.1400
B932F044092	5 1/2	x	11 1/2	5.3600	5.3900	11.6100	11.6400
B932F044096	5 1/2	x	12	5.3600	5.3900	12.1100	12.1400
B932F044100	5 1/2	x	12 1/2	5.3600	5.3900	12.6100	12.6400
B932F048068	6	x	8 1/2	5.8600	5.8900	8.6100	8.6400
B932F048072	6	x	9	5.8600	5.8900	9.1100	9.1400
B932F048080	6	x	10	5.8600	5.8900	10.1100	10.1400
B932F048084	6	x	10 1/2	5.8600	5.8900	10.6100	10.6400
B932F048088	6	x	11	5.8600	5.8900	11.1100	11.1400
B932F048092	6	x	11 1/2	5.8600	5.8900	11.6100	11.6400
B932F048096	6	x	12	5.8600	5.8900	12.1100	12.1400
B932F048100	6	x	12 1/2	5.8600	5.8900	12.6100	12.6400
B932F048104	6	x	13	5.8600	5.8900	13.1100	13.1400
B932F048112	6	x	14	5.8600	5.8900	14.1100	14.1400
B932F052068	6 1/2	x	8 1/2	6.3600	6.3900	8.6100	8.6400
B932F052076	6 1/2	x	9 1/2	6.3600	6.3900	9.6100	9.6400
B932F052080	6 1/2	x	10	6.3600	6.3900	10.1100	10.1400
B932F052084	6 1/2	x	10 1/2	6.3600	6.3900	10.6100	10.6400
B932F052088	6 1/2	x	11	6.3600	6.3900	11.1100	11.1400
B932F052092	6 1/2	x	11 1/2	6.3600	6.3900	11.6100	11.6400
B932F052096	6 1/2	x	12	6.3600	6.3900	12.1100	12.1400
B932F052100	6 1/2	x	12 1/2	6.3600	6.3900	12.6100	12.6400
B932F052104	6 1/2	x	13	6.3600	6.3900	13.1100	13.1400
B932F056068	7	x	8 1/2	6.8600	6.8900	8.6100	8.6400
B932F056072	7	x	9	6.8600	6.8900	9.1100	9.1400
B932F056076	7	x	9 1/2	6.8600	6.8900	9.6100	9.6400
B932F056080	7	x	10	6.8600	6.8900	10.1100	10.1400
B932F056084	7	x	10 1/2	6.8600	6.8900	10.6100	10.6400
B932F056088	7	x	11	6.8600	6.8900	11.1100	11.1400
B932F056092	7	x	11 1/2	6.8600	6.8900	11.6100	11.6400
B932F056096	7	x	12	6.8600	6.8900	12.1100	12.1400
B932F056100	7	x	12 1/2	6.8600	6.8900	12.6100	12.6400
B932F056104	7	x	13	6.8600	6.8900	13.1100	13.1400
B932F056112	7	x	14	6.8600	6.8900	14.1100	14.1400
B932F060068	7 1/2	x	8 1/2	7.3600	7.3900	8.6100	8.6400
B932F060076	7 1/2	x	9 1/2	7.3600	7.3900	9.6100	9.6400
B932F060080	7 1/2	x	10	7.3600	7.3900	10.1100	10.1400
B932F060084	7 1/2	x	10 1/2	7.3600	7.3900	10.6100	10.6400
B932F060088	7 1/2	x	11	7.3600	7.3900	11.1100	11.1400
B932F060092	7 1/2	x	11 1/2	7.3600	7.3900	11.6100	11.6400
B932F060096	7 1/2	x	12	7.3600	7.3900	12.1100	12.1400
B932F060100	7 1/2	x	12 1/2	7.3600	7.3900	12.6100	12.6400



C93200 (SAE 660) Centrifugal Cast Bronze Cored Bars

PART NUMBER	NOMINAL SIZES			I.D. Min.	I.D. Max.	O.D. Min.	O.D. Max.
	I.D.	x	O.D.				
B932F060104	7 1/2	x	13	7.3600	7.3900	13.1100	13.1400
B932F060108	7 1/2	x	13 1/2	7.3600	7.3900	13.6100	13.6400
B932F064072	8	x	9	7.8600	7.8900	9.1100	9.1400
B932F064076	8	x	9 1/2	7.8600	7.8900	9.6100	9.6400
B932F064080	8	x	10	7.8600	7.8900	10.1100	10.1400
B932F064084	8	x	10 1/2	7.8600	7.8900	10.6100	10.6400
B932F064088	8	x	11	7.8600	7.8900	11.1100	11.1400
B932F064092	8	x	11 1/2	7.8600	7.8900	11.6100	11.6400
B932F064096	8	x	12	7.8600	7.8900	12.1100	12.1400
B932F064100	8	x	12 1/2	7.8600	7.8900	12.6100	12.6400
B932F064104	8	x	13	7.8600	7.8900	13.1100	13.1400
B932F064108	8	x	13 1/2	7.8600	7.8900	13.6100	13.6400
B932F064112	8	x	14	7.8600	7.8900	14.1100	14.1400
B932F064128	8	x	16	7.8600	7.8900	16.1100	16.1400
B932F068076	8 1/2	x	9 1/2	8.3600	8.3900	9.6100	9.6400
B932F068080	8 1/2	x	10	8.3600	8.3900	10.1100	10.1400
B932F068084	8 1/2	x	10 1/2	8.3600	8.3900	10.6100	10.6400
B932F068088	8 1/2	x	11	8.3600	8.3900	11.1100	11.1400
B932F068092	8 1/2	x	11 1/2	8.3600	8.3900	11.6100	11.6400
B932F068096	8 1/2	x	12	8.3600	8.3900	12.1100	12.1400
B932F068100	8 1/2	x	12 1/2	8.3600	8.3900	12.6100	12.6400
B932F068104	8 1/2	x	13	8.3600	8.3900	13.1100	13.1400
B932F068108	8 1/2	x	13 1/2	8.3600	8.3900	13.6100	13.6400
B932F068112	8 1/2	x	14	8.3600	8.3900	14.1100	14.1400
B932F072080	9	x	10	8.8600	8.8900	10.1100	10.1400
B932F072084	9	x	10 1/2	8.8600	8.8900	10.6100	10.6400
B932F072088	9	x	11	8.8600	8.8900	11.1100	11.1400
B932F072092	9	x	11 1/2	8.8600	8.8900	11.6100	11.6400
B932F072096	9	x	12	8.8600	8.8900	12.1100	12.1400
B932F072100	9	x	12 1/2	8.8600	8.8900	12.6100	12.6400
B932F072104	9	x	13	8.8600	8.8900	13.1100	13.1400
B932F072108	9	x	13 1/2	8.8600	8.8900	13.6100	13.6400
B932F072112	9	x	14	8.8600	8.8900	14.1100	14.1400
B932F076084	9 1/2	x	10 1/2	9.3600	9.3900	10.6100	10.6400
B932F076088	9 1/2	x	11	9.3600	9.3900	11.1100	11.1400
B932F076092	9 1/2	x	11 1/2	9.3600	9.3900	11.6100	11.6400
B932F076096	9 1/2	x	12	9.3600	9.3900	12.1100	12.1400
B932F076100	9 1/2	x	12 1/2	9.3600	9.3900	12.6100	12.6400
B932F076104	9 1/2	x	13	9.3600	9.3900	13.1100	13.1400
B932F076108	9 1/2	x	13 1/2	9.3600	9.3900	13.6100	13.6400
B932F076112	9 1/2	x	14	9.3600	9.3900	14.1100	14.1400
B932F080088	10	x	11	9.8600	9.8900	11.1100	11.1400
B932F080092	10	x	11 1/2	9.8600	9.8900	11.6100	11.6400
B932F080096	10	x	12	9.8600	9.8900	12.1100	12.1400
B932F080100	10	x	12 1/2	9.8600	9.8900	12.6100	12.6400
B932F080104	10	x	13	9.8600	9.8900	13.1100	13.1400
B932F080108	10	x	13 1/2	9.8600	9.8900	13.6100	13.6400
B932F080112	10	x	14	9.8600	9.8900	14.1100	14.1400
B932F080128	10	x	16	9.8600	9.8900	16.1100	16.1400
B932F080144	10	x	18	9.8600	9.8900	18.1100	18.1400
B932F084092	10 1/2	x	11 1/2	10.3600	10.3900	11.6100	11.6400



C93200 (SAE 660) Centrifugal Cast Bronze Cored Bars

PART NUMBER	NOMINAL SIZES		I.D. Min.	I.D. Max.	O.D. Min.	O.D. Max.
	I.D.	O.D.				
B932F084096	10 1/2	x 12	10.3600	10.3900	12.1100	12.1400
B932F084100	10 1/2	x 12 1/2	10.3600	10.3900	12.6100	12.6400
B932F084104	10 1/2	x 13	10.3600	10.3900	13.1100	13.1400
B932F084108	10 1/2	x 13 1/2	10.3600	10.3900	13.6100	13.6400
B932F084112	10 1/2	x 14	10.3600	10.3900	14.1100	14.1400
B932F084116	10 1/2	x 14 1/2	10.3600	10.3900	14.6100	14.6400
B932F084120	10 1/2	x 15	10.3600	10.3900	15.1100	15.1400
B932F088096	11	x 12	10.8600	10.8900	12.1100	12.1400
B932F088100	11	x 12 1/2	10.8600	10.8900	12.6100	12.6400
B932F088104	11	x 13	10.8600	10.8900	13.1100	13.1400
B932F088108	11	x 13 1/2	10.8600	10.8900	13.6100	13.6400
B932F088112	11	x 14	10.8600	10.8900	14.1100	14.1400
B932F088116	11	x 14 1/2	10.8600	10.8900	14.6100	14.6400
B932F088120	11	x 15	10.8600	10.8900	15.1100	15.1400
B932F092100	11 1/2	x 12 1/2	11.3600	11.3900	12.6100	12.6400
B932F092104	11 1/2	x 13	11.3600	11.3900	13.1100	13.1400
B932F092108	11 1/2	x 13 1/2	11.3600	11.3900	13.6100	13.6400
B932F092112	11 1/2	x 14	11.3600	11.3900	14.1100	14.1400
B932F092116	11 1/2	x 14 1/2	11.3600	11.3900	14.6100	14.6400
B932F092120	11 1/2	x 15	11.3600	11.3900	15.1100	15.1400
B932F096104	12	x 13	11.8600	11.8900	13.1100	13.1400
B932F096108	12	x 13 1/2	11.8600	11.8900	13.6100	13.6400
B932F096112	12	x 14	11.8600	11.8900	14.1100	14.1400
B932F096116	12	x 14 1/2	11.8600	11.8900	14.6100	14.6400
B932F096120	12	x 15	11.8600	11.8900	15.1100	15.1400
B932F096124	12	x 15 1/2	11.8600	11.8900	15.6100	15.6400
B932F096128	12	x 16	11.8600	11.8900	16.1100	16.1400
B932F096144	12	x 18	11.8600	11.8900	18.1100	18.1400
B932F100108	12 1/2	x 13 1/2	12.3600	12.3900	13.6100	13.6400
B932F100112	12 1/2	x 14	12.3600	12.3900	14.1100	14.1400
B932F100116	12 1/2	x 14 1/2	12.3600	12.3900	14.6100	14.6400
B932F100120	12 1/2	x 15	12.3600	12.3900	15.1100	15.1400
B932F100124	12 1/2	x 15 1/2	12.3600	12.3900	15.6100	15.6400
B932F100128	12 1/2	x 16	12.3600	12.3900	16.1100	16.1400
B932F104112	13	x 14	12.8600	12.8900	14.1100	14.1400
B932F104116	13	x 14 1/2	12.8600	12.8900	14.6100	14.6400
B932F104120	13	x 15	12.8600	12.8900	15.1100	15.1400
B932F104124	13	x 15 1/2	12.8600	12.8900	15.6100	15.6400
B932F104128	13	x 16	12.8600	12.8900	16.1100	16.1400
B932F108116	13 1/2	x 14 1/2	13.3600	13.3900	14.6100	14.6400
B932F108120	13 1/2	x 15	13.3600	13.3900	15.1100	15.1400
B932F108124	13 1/2	x 15 1/2	13.3600	13.3900	15.6100	15.6400
B932F108128	13 1/2	x 16	13.3600	13.3900	16.1100	16.1400
B932F108132	13 1/2	x 16 1/2	13.3600	13.3900	16.6100	16.6400
B932F108136	13 1/2	x 17	13.3600	13.3900	17.1100	17.1400
B932F112120	14	x 15	13.8600	13.8900	15.1100	15.1400
B932F112124	14	x 15 1/2	13.8600	13.8900	15.6100	15.6400
B932F112128	14	x 16	13.8600	13.8900	16.1100	16.1400
B932F112132	14	x 16 1/2	13.8600	13.8900	16.6100	16.6400
B932F112136	14	x 17	13.8600	13.8900	17.1100	17.1400
B932F112144	14	x 18	13.8600	13.8900	18.1100	18.1400



C93200 (SAE 660) Centrifugal Cast Bronze Cored Bars

PART NUMBER	NOMINAL SIZES			I.D. Min.	I.D. Max.	O.D. Min.	O.D. Max.
	I.D.		O.D.				
B932F116124	14 1/2	x	15 1/2	14.3600	14.3900	15.6100	15.6400
B932F116128	14 1/2	x	16	14.3600	14.3900	16.1100	16.1400
B932F116132	14 1/2	x	16 1/2	14.3600	14.3900	16.6100	16.6400
B932F116136	14 1/2	x	17	14.3600	14.3900	17.1100	17.1400
B932F120128	15	x	16	14.8600	14.8900	16.1100	16.1400
B932F120132	15	x	16 1/2	14.8600	14.8900	16.6100	16.6400
B932F120136	15	x	17	14.8600	14.8900	17.1100	17.1400
B932F120140	15	x	17 1/2	14.8600	14.8900	17.6100	17.6400
B932F120144	15	x	18	14.8600	14.8900	18.1100	18.1400
B932F120148	15	x	18 1/2	14.8600	14.8900	18.6100	18.6400
B932F124132	15 1/2	x	16 1/2	15.3600	15.3900	16.6100	16.6400
B932F124136	15 1/2	x	17	15.3600	15.3900	17.1100	17.1400
B932F124140	15 1/2	x	17 1/2	15.3600	15.3900	17.6100	17.6400
B932F124144	15 1/2	x	18	15.3600	15.3900	18.1100	18.1400
B932F124148	15 1/2	x	18 1/2	15.3600	15.3900	18.6100	18.6400
B932F128136	16	x	17	15.8600	15.8900	17.1100	17.1400
B932F128140	16	x	17 1/2	15.8600	15.8900	17.6100	17.6400
B932F128144	16	x	18	15.8600	15.8900	18.1100	18.1400
B932F128148	16	x	18 1/2	15.8600	15.8900	18.6100	18.6400
B932F128152	16	x	19	15.8600	15.8900	19.1100	19.1400
B932F132140	16 1/2	x	17 1/2	16.3600	16.3900	17.6100	17.6400
B932F132144	16 1/2	x	18	16.3600	16.3900	18.1100	18.1400
B932F132148	16 1/2	x	18 1/2	16.3600	16.3900	18.6100	18.6400
B932F132152	16 1/2	x	19	16.3600	16.3900	19.1100	19.1400
B932F132156	16 1/2	x	19 1/2	16.3600	16.3900	19.6100	19.6400
B932F136144	17	x	18	16.8600	16.8900	18.1100	18.1400
B932F136148	17	x	18 1/2	16.8600	16.8900	18.6100	18.6400
B932F136152	17	x	19	16.8600	16.8900	19.1100	19.1400
B932F136156	17	x	19 1/2	16.8600	16.8900	19.6100	19.6400
B932F140148	17 1/2	x	18 1/2	17.3600	17.3900	18.6100	18.6400
B932F140152	17 1/2	x	19	17.3600	17.3900	19.1100	19.1400
B932F140156	17 1/2	x	19 1/2	17.3600	17.3900	19.6100	19.6400
B932F140160	17 1/2	x	20	17.3600	17.3900	20.1100	20.1400
B932F144152	18	x	19	17.8600	17.8900	19.1100	19.1400
B932F144156	18	x	19 1/2	17.8600	17.8900	19.6100	19.6400
B932F144160	18	x	20	17.8600	17.8900	20.1100	20.1400
B932F148156	18 1/2	x	19 1/2	18.3600	18.3900	19.6100	19.6400
B932F148160	18 1/2	x	20	18.3600	18.3900	20.1100	20.1400
B932F152160	19	x	20	18.8600	18.8900	20.1100	20.1400

Bunting C89835 Continuous Cast Solid, Cored and Centrifugal Cast Bronze Bar

C89835 is a “GREEN” copper bismuth non-lead alloy
 Copper-Bismuth Bronze C89835 Federalloy III (932 Version)

Bunting continuous cast bronze bars of C89835 give superior quality and performance. Continuous casting achieves a high density grain structure, free of porosity, resulting in a reduction of tool wear and component rejects.

Solid and cored bars are stocked in 13" increments and 105" lengths, and are available in other lengths and non-standard sizes. Consider bars for use when you need special bearings, bearings for prototypes, or for emergency repairs.

Centrifugal cast large diameter cored bars are also available in 13" lengths as well as made to order sizes and lengths.

Typical Properties: (Not to be used for specification purposes.)

Copper.....	85.00 – 89.00%
Tin.....	6.00 – 7.50%
Lead.....	0.05%
Zinc.....	2.00 – 4.00%
Nickel.....	1.00%
Bismuth.....	1.7 – 2.7%

Physical Properties:	Continuous Cast	Centrifugal Cast
-----------------------------	------------------------	-------------------------

Tensile Strength, PSI	30,000 min.	30,000 min.
Yield Strength, PSI	14,000 min.	14,000 min.
Elongation.....	12% min.	12%min.

Machinability Rating	70
Minimum Operating Temperature	-450°F
Maximum Operating Temperature	+500°F

C89835 is used as a no-lead replacement for C93200 material where lead-free material is required. Properties are similar to the C93200 material, however; bismuth does not lubricate as well as lead so a constant supply of lubrication is recommended when using this material.

Bunting also produces lead-free materials that replace C83600, C84400, C93700, C93800 and C94500 with bismuth alloys.



C89835 Continuous Cast Bronze Solid Bars

PART NUMBER	NOMINAL SIZES			O.D. Min.	O.D. Max.
	I.D.		O.D.		
BB04S000008	SOLID	x	1	1.0310	1.0410
BB04S000012	SOLID	x	1 1/2	1.5310	1.5410
BB04S000016	SOLID	x	2	2.0340	2.0440
BB04S000020*	SOLID	x	2 1/2	2.5340	2.5440
BB04S000024	SOLID	x	3	3.0340	3.0440
BB04S000028*	SOLID	x	3 1/2	3.5340	3.5440
BB04S000032	SOLID	x	4	4.0550	4.0710
BB04S000036*	SOLID	x	4 1/2	4.5550	4.5710
BB04S000040	SOLID	x	5	5.0550	5.0710
BB04S000048	SOLID	x	6	6.0780	6.1100
BB04S000064	SOLID	x	8	8.0780	8.1100
BB04S000080	SOLID	x	10	10.0940	10.1340

*When current inventory is depleted, these sizes will be supplied on special order basis only. Minimum order quantities may apply.

C89835 Continuous Cast Bronze Cored Bars

PART NUMBER	NOMINAL SIZES			I.D. Min.	I.D. Max.	O.D. Min.	O.D. Max.
	I.D.		O.D.				
BB04C004008*	1/2	x	1	0.4360	0.4800	1.0310	1.0410
BB04C006010*	3/4	x	1 1/4	0.6860	0.7300	1.2810	1.2910
BB04C008012*	1	x	1 1/2	0.9360	0.9800	1.5310	1.5410
BB04C008016	1	x	2	0.9360	0.9800	2.0340	2.0440
BB04C012016*	1 1/2	x	2	1.4360	1.4800	2.0340	2.0440
BB04C012020*	1 1/2	x	2 1/2	1.4360	1.4800	2.5340	2.5440
BB04C016020*	2	x	2 1/2	1.9360	1.9800	2.5340	2.5440
BB04C016024	2	x	3	1.9360	1.9800	3.0340	3.0440
BB04C020024*	2 1/2	x	3	2.4360	2.4800	3.0340	3.0440
BB04C020028*	2 1/2	x	3 1/2	2.4360	2.4800	3.5340	3.5440
BB04C024028*	3	x	3 1/2	2.9360	2.9800	3.5340	3.5440
BB04C024032*	3	x	4	2.8910	2.9530	4.0550	4.0710
BB04C028032*	3 1/2	x	4	3.3910	3.4530	4.0550	4.0710
BB04C028036*	3 1/2	x	4 1/2	3.3910	3.4530	4.5550	4.5710
BB04C032036*	4	x	4 1/2	3.8910	3.9530	4.5550	4.5710
BB04C032040*	4	x	5	3.8910	3.9530	5.0550	5.0710
BB04C036044*	4 1/2	x	5 1/2	4.3420	4.4380	5.5780	5.6100
BB04C040048*	5	x	6	4.8420	4.9380	6.0780	6.1100

*When current inventory is depleted, these sizes will be supplied on special order basis only. Minimum order quantities may apply.



C89835 Centrifugal Cast Bronze Cored Bars

PART NUMBER	NOMINAL SIZES		I.D. Min.	I.D. Max.	O.D. Min.	O.D. Max.
	I.D.	O.D.				
BB04F040072	5	x 9	4.8600	4.8900	9.1100	9.1400
BB04F040080	5	x 10	4.8600	4.8900	10.1100	10.1400
BB04F040084	5	x 10 1/2	4.8600	4.8900	10.6100	10.6400
BB04F040088	5	x 11	4.8600	4.8900	11.1100	11.1400
BB04F040092	5	x 11 1/2	4.8600	4.8900	11.6100	11.6400
BB04F040096	5	x 12	4.8600	4.8900	12.1100	12.1400
BB04F040100	5	x 12 1/2	4.8600	4.8900	12.6100	12.6400
BB04F044080	5 1/2	x 10	5.3600	5.3900	10.1100	10.1400
BB04F044084	5 1/2	x 10 1/2	5.3600	5.3900	10.6100	10.6400
BB04F044088	5 1/2	x 11	5.3600	5.3900	11.1100	11.1400
BB04F044092	5 1/2	x 11 1/2	5.3600	5.3900	11.6100	11.6400
BB04F044096	5 1/2	x 12	5.3600	5.3900	12.1100	12.1400
BB04F044100	5 1/2	x 12 1/2	5.3600	5.3900	12.6100	12.6400
BB04F048068	6	x 8 1/2	5.8600	5.8900	8.6100	8.6400
BB04F048072	6	x 9	5.8600	5.8900	9.1100	9.1400
BB04F048080	6	x 10	5.8600	5.8900	10.1100	10.1400
BB04F048084	6	x 10 1/2	5.8600	5.8900	10.6100	10.6400
BB04F048088	6	x 11	5.8600	5.8900	11.1100	11.1400
BB04F048092	6	x 11 1/2	5.8600	5.8900	11.6100	11.6400
BB04F048096	6	x 12	5.8600	5.8900	12.1100	12.1400
BB04F048100	6	x 12 1/2	5.8600	5.8900	12.6100	12.6400
BB04F048104	6	x 13	5.8600	5.8900	13.1100	13.1400
BB04F048112	6	x 14	5.8600	5.8900	14.1100	14.1400
BB04F052068	6 1/2	x 8 1/2	6.3600	6.3900	8.6100	8.6400
BB04F052076	6 1/2	x 9 1/2	6.3600	6.3900	9.6100	9.6400
BB04F052080	6 1/2	x 10	6.3600	6.3900	10.1100	10.1400
BB04F052084	6 1/2	x 10 1/2	6.3600	6.3900	10.6100	10.6400
BB04F052088	6 1/2	x 11	6.3600	6.3900	11.1100	11.1400
BB04F052092	6 1/2	x 11 1/2	6.3600	6.3900	11.6100	11.6400
BB04F052096	6 1/2	x 12	6.3600	6.3900	12.1100	12.1400
BB04F052100	6 1/2	x 12 1/2	6.3600	6.3900	12.6100	12.6400
BB04F052104	6 1/2	x 13	6.3600	6.3900	13.1100	13.1400
BB04F056068	7	x 8 1/2	6.8600	6.8900	8.6100	8.6400
BB04F056072	7	x 9	6.8600	6.8900	9.1100	9.1400
BB04F056076	7	x 9 1/2	6.8600	6.8900	9.6100	9.6400
BB04F056080	7	x 10	6.8600	6.8900	10.1100	10.1400
BB04F056084	7	x 10 1/2	6.8600	6.8900	10.6100	10.6400
BB04F056088	7	x 11	6.8600	6.8900	11.1100	11.1400
BB04F056092	7	x 11 1/2	6.8600	6.8900	11.6100	11.6400
BB04F056096	7	x 12	6.8600	6.8900	12.1100	12.1400
BB04F056100	7	x 12 1/2	6.8600	6.8900	12.6100	12.6400
BB04F056104	7	x 13	6.8600	6.8900	13.1100	13.1400
BB04F056112	7	x 14	6.8600	6.8900	14.1100	14.1400
BB04F060068	7 1/2	x 8 1/2	7.3600	7.3900	8.6100	8.6400
BB04F060076	7 1/2	x 9 1/2	7.3600	7.3900	9.6100	9.6400
BB04F060080	7 1/2	x 10	7.3600	7.3900	10.1100	10.1400
BB04F060084	7 1/2	x 10 1/2	7.3600	7.3900	10.6100	10.6400
BB04F060088	7 1/2	x 11	7.3600	7.3900	11.1100	11.1400
BB04F060092	7 1/2	x 11 1/2	7.3600	7.3900	11.6100	11.6400
BB04F060096	7 1/2	x 12	7.3600	7.3900	12.1100	12.1400
BB04F060100	7 1/2	x 12 1/2	7.3600	7.3900	12.6100	12.6400



C89835 Centrifugal Cast Bronze Cored Bars

PART NUMBER	NOMINAL SIZES			I.D. Min.	I.D. Max.	O.D. Min.	O.D. Max.
	I.D.		O.D.				
BB04F060104	7 1/2	x	13	7.3600	7.3900	13.1100	13.1400
BB04F060108	7 1/2	x	13 1/2	7.3600	7.3900	13.6100	13.6400
BB04F064072	8	x	9	7.8600	7.8900	9.1100	9.1400
BB04F064076	8	x	9 1/2	7.8600	7.8900	9.6100	9.6400
BB04F064080	8	x	10	7.8600	7.8900	10.1100	10.1400
BB04F064084	8	x	10 1/2	7.8600	7.8900	10.6100	10.6400
BB04F064088	8	x	11	7.8600	7.8900	11.1100	11.1400
BB04F064092	8	x	11 1/2	7.8600	7.8900	11.6100	11.6400
BB04F064096	8	x	12	7.8600	7.8900	12.1100	12.1400
BB04F064100	8	x	12 1/2	7.8600	7.8900	12.6100	12.6400
BB04F064104	8	x	13	7.8600	7.8900	13.1100	13.1400
BB04F064108	8	x	13 1/2	7.8600	7.8900	13.6100	13.6400
BB04F064112	8	x	14	7.8600	7.8900	14.1100	14.1400
BB04F064128	8	x	16	7.8600	7.8900	16.1100	16.1400
BB04F068076	8 1/2	x	9 1/2	8.3600	8.3900	9.6100	9.6400
BB04F068080	8 1/2	x	10	8.3600	8.3900	10.1100	10.1400
BB04F068084	8 1/2	x	10 1/2	8.3600	8.3900	10.6100	10.6400
BB04F068088	8 1/2	x	11	8.3600	8.3900	11.1100	11.1400
BB04F068092	8 1/2	x	11 1/2	8.3600	8.3900	11.6100	11.6400
BB04F068096	8 1/2	x	12	8.3600	8.3900	12.1100	12.1400
BB04F068100	8 1/2	x	12 1/2	8.3600	8.3900	12.6100	12.6400
BB04F068104	8 1/2	x	13	8.3600	8.3900	13.1100	13.1400
BB04F068108	8 1/2	x	13 1/2	8.3600	8.3900	13.6100	13.6400
BB04F068112	8 1/2	x	14	8.3600	8.3900	14.1100	14.1400
BB04F072080	9	x	10	8.8600	8.8900	10.1100	10.1400
BB04F072084	9	x	10 1/2	8.8600	8.8900	10.6100	10.6400
BB04F072088	9	x	11	8.8600	8.8900	11.1100	11.1400
BB04F072092	9	x	11 1/2	8.8600	8.8900	11.6100	11.6400
BB04F072096	9	x	12	8.8600	8.8900	12.1100	12.1400
BB04F072100	9	x	12 1/2	8.8600	8.8900	12.6100	12.6400
BB04F072104	9	x	13	8.8600	8.8900	13.1100	13.1400
BB04F072108	9	x	13 1/2	8.8600	8.8900	13.6100	13.6400
BB04F072112	9	x	14	8.8600	8.8900	14.1100	14.1400
BB04F076084	9 1/2	x	10 1/2	9.3600	9.3900	10.6100	10.6400
BB04F076088	9 1/2	x	11	9.3600	9.3900	11.1100	11.1400
BB04F076092	9 1/2	x	11 1/2	9.3600	9.3900	11.6100	11.6400
BB04F076096	9 1/2	x	12	9.3600	9.3900	12.1100	12.1400
BB04F076100	9 1/2	x	12 1/2	9.3600	9.3900	12.6100	12.6400
BB04F076104	9 1/2	x	13	9.3600	9.3900	13.1100	13.1400
BB04F076108	9 1/2	x	13 1/2	9.3600	9.3900	13.6100	13.6400
BB04F076112	9 1/2	x	14	9.3600	9.3900	14.1100	14.1400
BB04F080088	10	x	11	9.8600	9.8900	11.1100	11.1400
BB04F080092	10	x	11 1/2	9.8600	9.8900	11.6100	11.6400
BB04F080096	10	x	12	9.8600	9.8900	12.1100	12.1400
BB04F080100	10	x	12 1/2	9.8600	9.8900	12.6100	12.6400
BB04F080104	10	x	13	9.8600	9.8900	13.1100	13.1400
BB04F080108	10	x	13 1/2	9.8600	9.8900	13.6100	13.6400
BB04F080112	10	x	14	9.8600	9.8900	14.1100	14.1400
BB04F080128	10	x	16	9.8600	9.8900	16.1100	16.1400
BB04F080144	10	x	18	9.8600	9.8900	18.1100	18.1400



C89835 Centrifugal Cast Bronze Cored Bars

PART NUMBER	NOMINAL SIZES		I.D. Min.	I.D. Max.	O.D. Min.	O.D. Max.
	I.D.	O.D.				
BB04F084092	10 1/2	x 11 1/2	10.3600	10.3900	11.6100	11.6400
BB04F084096	10 1/2	x 12	10.3600	10.3900	12.1100	12.1400
BB04F084100	10 1/2	x 12 1/2	10.3600	10.3900	12.6100	12.6400
BB04F084104	10 1/2	x 13	10.3600	10.3900	13.1100	13.1400
BB04F084108	10 1/2	x 13 1/2	10.3600	10.3900	13.6100	13.6400
BB04F084112	10 1/2	x 14	10.3600	10.3900	14.1100	14.1400
BB04F084116	10 1/2	x 14 1/2	10.3600	10.3900	14.6100	14.6400
BB04F084120	10 1/2	x 15	10.3600	10.3900	15.1100	15.1400
BB04F088096	11	x 12	10.8600	10.8900	12.1100	12.1400
BB04F088100	11	x 12 1/2	10.8600	10.8900	12.6100	12.6400
BB04F088104	11	x 13	10.8600	10.8900	13.1100	13.1400
BB04F088108	11	x 13 1/2	10.8600	10.8900	13.6100	13.6400
BB04F088112	11	x 14	10.8600	10.8900	14.1100	14.1400
BB04F088116	11	x 14 1/2	10.8600	10.8900	14.6100	14.6400
BB04F088120	11	x 15	10.8600	10.8900	15.1100	15.1400
BB04F092100	11 1/2	x 12 1/2	11.3600	11.3900	12.6100	12.6400
BB04F092104	11 1/2	x 13	11.3600	11.3900	13.1100	13.1400
BB04F092108	11 1/2	x 13 1/2	11.3600	11.3900	13.6100	13.6400
BB04F092112	11 1/2	x 14	11.3600	11.3900	14.1100	14.1400
BB04F092116	11 1/2	x 14 1/2	11.3600	11.3900	14.6100	14.6400
BB04F092120	11 1/2	x 15	11.3600	11.3900	15.1100	15.1400
BB04F096104	12	x 13	11.8600	11.8900	13.1100	13.1400
BB04F096108	12	x 13 1/2	11.8600	11.8900	13.6100	13.6400
BB04F096112	12	x 14	11.8600	11.8900	14.1100	14.1400
BB04F096116	12	x 14 1/2	11.8600	11.8900	14.6100	14.6400
BB04F096120	12	x 15	11.8600	11.8900	15.1100	15.1400
BB04F096124	12	x 15 1/2	11.8600	11.8900	15.6100	15.6400
BB04F096128	12	x 16	11.8600	11.8900	16.1100	16.1400
BB04F096144	12	x 18	11.8600	11.8900	18.1100	18.1400
BB04F100108	12 1/2	x 13 1/2	12.3600	12.3900	13.6100	13.6400
BB04F100112	12 1/2	x 14	12.3600	12.3900	14.1100	14.1400
BB04F100116	12 1/2	x 14 1/2	12.3600	12.3900	14.6100	14.6400
BB04F100120	12 1/2	x 15	12.3600	12.3900	15.1100	15.1400
BB04F100124	12 1/2	x 15 1/2	12.3600	12.3900	15.6100	15.6400
BB04F100128	12 1/2	x 16	12.3600	12.3900	16.1100	16.1400
BB04F104112	13	x 14	12.8600	12.8900	14.1100	14.1400
BB04F104116	13	x 14 1/2	12.8600	12.8900	14.6100	14.6400
BB04F104120	13	x 15	12.8600	12.8900	15.1100	15.1400
BB04F104124	13	x 15 1/2	12.8600	12.8900	15.6100	15.6400
BB04F104128	13	x 16	12.8600	12.8900	16.1100	16.1400
BB04F108116	13 1/2	x 14 1/2	13.3600	13.3900	14.6100	14.6400
BB04F108120	13 1/2	x 15	13.3600	13.3900	15.1100	15.1400
BB04F108124	13 1/2	x 15 1/2	13.3600	13.3900	15.6100	15.6400
BB04F108128	13 1/2	x 16	13.3600	13.3900	16.1100	16.1400
BB04F108132	13 1/2	x 16 1/2	13.3600	13.3900	16.6100	16.6400
BB04F108136	13 1/2	x 17	13.3600	13.3900	17.1100	17.1400
BB04F112120	14	x 15	13.8600	13.8900	15.1100	15.1400
BB04F112124	14	x 15 1/2	13.8600	13.8900	15.6100	15.6400
BB04F112128	14	x 16	13.8600	13.8900	16.1100	16.1400
BB04F112132	14	x 16 1/2	13.8600	13.8900	16.6100	16.6400
BB04F112136	14	x 17	13.8600	13.8900	17.1100	17.1400



C89835 Centrifugal Cast Bronze Cored Bars

PART NUMBER	NOMINAL SIZES			I.D. Min.	I.D. Max.	O.D. Min.	O.D. Max.
	I.D.	x	O.D.				
BB04F112144	14	x	18	13.8600	13.8900	18.1100	18.1400
BB04F116124	14 1/2	x	15 1/2	14.3600	14.3900	15.6100	15.6400
BB04F116128	14 1/2	x	16	14.3600	14.3900	16.1100	16.1400
BB04F116132	14 1/2	x	16 1/2	14.3600	14.3900	16.6100	16.6400
BB04F116136	14 1/2	x	17	14.3600	14.3900	17.1100	17.1400
BB04F120128	15	x	16	14.8600	14.8900	16.1100	16.1400
BB04F120132	15	x	16 1/2	14.8600	14.8900	16.6100	16.6400
BB04F120136	15	x	17	14.8600	14.8900	17.1100	17.1400
BB04F120140	15	x	17 1/2	14.8600	14.8900	17.6100	17.6400
BB04F120144	15	x	18	14.8600	14.8900	18.1100	18.1400
BB04F120148	15	x	18 1/2	14.8600	14.8900	18.6100	18.6400
BB04F124132	15 1/2	x	16 1/2	15.3600	15.3900	16.6100	16.6400
BB04F124136	15 1/2	x	17	15.3600	15.3900	17.1100	17.1400
BB04F124140	15 1/2	x	17 1/2	15.3600	15.3900	17.6100	17.6400
BB04F124144	15 1/2	x	18	15.3600	15.3900	18.1100	18.1400
BB04F124148	15 1/2	x	18 1/2	15.3600	15.3900	18.6100	18.6400
BB04F128136	16	x	17	15.8600	15.8900	17.1100	17.1400
BB04F128140	16	x	17 1/2	15.8600	15.8900	17.6100	17.6400
BB04F128144	16	x	18	15.8600	15.8900	18.1100	18.1400
BB04F128148	16	x	18 1/2	15.8600	15.8900	18.6100	18.6400
BB04F128152	16	x	19	15.8600	15.8900	19.1100	19.1400
BB04F132140	16 1/2	x	17 1/2	16.3600	16.3900	17.6100	17.6400
BB04F132144	16 1/2	x	18	16.3600	16.3900	18.1100	18.1400
BB04F132148	16 1/2	x	18 1/2	16.3600	16.3900	18.6100	18.6400
BB04F132152	16 1/2	x	19	16.3600	16.3900	19.1100	19.1400
BB04F132156	16 1/2	x	19 1/2	16.3600	16.3900	19.6100	19.6400
BB04F136144	17	x	18	16.8600	16.8900	18.1100	18.1400
BB04F136148	17	x	18 1/2	16.8600	16.8900	18.6100	18.6400
BB04F136152	17	x	19	16.8600	16.8900	19.1100	19.1400
BB04F136156	17	x	19 1/2	16.8600	16.8900	19.6100	19.6400
BB04F140148	17 1/2	x	18 1/2	17.3600	17.3900	18.6100	18.6400
BB04F140152	17 1/2	x	19	17.3600	17.3900	19.1100	19.1400
BB04F140156	17 1/2	x	19 1/2	17.3600	17.3900	19.6100	19.6400
BB04F140160	17 1/2	x	20	17.3600	17.3900	20.1100	20.1400
BB04F144152	18	x	19	17.8600	17.8900	19.1100	19.1400
BB04F144156	18	x	19 1/2	17.8600	17.8900	19.6100	19.6400
BB04F144160	18	x	20	17.8600	17.8900	20.1100	20.1400
BB04F148156	18 1/2	x	19 1/2	18.3600	18.3900	19.6100	19.6400
BB04F148160	18 1/2	x	20	18.3600	18.3900	20.1100	20.1400
BB04F152160	19	x	20	18.8600	18.8900	20.1100	20.1400

Bunting C93700 Continuous Cast Solid, Cored and Centrifugal Cast Bronze Bar

High-Leaded Tin Bronze

CDA 937

SAE 64

83-10-10

ASTM B505

ASTM B271

Bunting continuous cast bronze bars of C93700 give superior quality and performance. Continuous casting achieves a high density grain structure, free of porosity, resulting in a reduction of tool wear and component rejects.

Solid and cored bars are stocked in 13" increments and 105" lengths, and are available in other lengths and non-standard sizes. Consider bars for use when you need special bearings, bearings for prototypes, or for emergency repairs.

Centrifugal cast large diameter cored bars are also available in 13" lengths as well as made to order sizes and lengths.

Typical Properties: (Not to be used for specification purposes.)

Copper.....	78.00 – 82.00%
Tin.....	9.00 – 11.00%
Lead.....	8.00 – 11.00%

Physical Properties:

Continuous Cast

Centrifugal Cast

Tensile Strength, PSI.....	35,000 min.	30,000 min.
Yield Strength, PSI.....	20,000 min.	12,000 min.
Elongation.....	6% min.	15% min.
Brinell Hardness (500 kg load).....		60 typical
Machinability Rating.....		80
Minimum Operating Temperature.....		-450°F
Maximum Operating Temperature.....		+500°F

C93700 has higher tin and lead than C93200 and is used in bearings with higher speeds and loads. It has increased corrosion and oxidation resistance, with good anti-frictional properties, good load-carrying ability and excellent machinability. C93700 can be used in applications where lubrication may be low or interrupted.



C93700 (SAE 64) Continuous Cast Bronze Solid Bars

PART NUMBER	NOMINAL SIZES			O.D. Min.	O.D. Max.
	I.D.		O.D.		
B937S000008	SOLID	x	1	1.0310	1.0410
B937S000012	SOLID	x	1 1/2	1.5310	1.5410
B937S000016	SOLID	x	2	2.0340	2.0440
B937S000020*	SOLID	x	2 1/2	2.5340	2.5440
B937S000024	SOLID	x	3	3.0340	3.0440
B937S000028*	SOLID	x	3 1/2	3.5340	3.5440
B937S000032	SOLID	x	4	4.0550	4.0710
B937S000036*	SOLID	x	4 1/2	4.5550	4.5710
B937S000040	SOLID	x	5	5.0550	5.0710
B937S000048	SOLID	x	6	6.0780	6.1100
B937S000064	SOLID	x	8	8.0780	8.1100
B937S000080	SOLID	x	10	10.0940	10.1340

*When current inventory is depleted, these sizes will be supplied on special order basis only. Minimum order quantities may apply.

C93700 (SAE 64) Continuous Cast Bronze Cored Bars

PART NUMBER	NOMINAL SIZES			I.D. Min.	I.D. Max.	O.D. Min.	O.D. Max.
	I.D.		O.D.				
B937C004008*	1/2	x	1	0.4360	0.4800	1.0310	1.0410
B937C006010*	3/4	x	1 1/4	0.6860	0.7300	1.2810	1.2910
B937C008012	1	x	1 1/2	0.9360	0.9800	1.5310	1.5410
B937C008016*	1	x	2	0.9360	0.9800	2.0340	2.0440
B937C012016*	1 1/2	x	2	1.4360	1.4800	2.0340	2.0440
B937C012020*	1 1/2	x	2 1/2	1.4360	1.4800	2.5340	2.5440
B937C016020*	2	x	2 1/2	1.9360	1.9800	2.5340	2.5440
B937C016024*	2	x	3	1.9360	1.9800	3.0340	3.0440
B937C020024*	2 1/2	x	3	2.4360	2.4800	3.0340	3.0440
B937C020028*	2 1/2	x	3 1/2	2.4360	2.4800	3.5340	3.5440
B937C024028*	3	x	3 1/2	2.9360	2.9800	3.5340	3.5440
B937C024032*	3	x	4	2.8910	2.9530	4.0550	4.0710
B937C028032*	3 1/2	x	4	3.3910	3.4530	4.0550	4.0710
B937C028036*	3 1/2	x	4 1/2	3.3910	3.4530	4.5550	4.5710
B937C032036*	4	x	4 1/2	3.8910	3.9530	4.5550	4.5710
B937C032040*	4	x	5	3.8910	3.9530	5.0550	5.0710
B937C034042*	4 1/4	x	5 1/4	4.0920	4.1880	5.3280	5.3600
B937C036044*	4 1/2	x	5 1/2	4.3420	4.4380	5.5780	5.6100
B937C040048*	5	x	6	4.8420	4.9380	6.0780	6.1100

*When current inventory is depleted, these sizes will be supplied on special order basis only. Minimum order quantities may apply.



C93700 (SAE 64) Centrifugal Cast Bronze Cored Bars

PART NUMBER	NOMINAL SIZES			I.D. Min.	I.D. Max.	O.D. Min.	O.D. Max.
	I.D.		O.D.				
B937F040072	5	x	9	4.8600	4.8900	9.1100	9.1400
B937F040080	5	x	10	4.8600	4.8900	10.1100	10.1400
B937F040084	5	x	10 1/2	4.8600	4.8900	10.6100	10.6400
B937F040088	5	x	11	4.8600	4.8900	11.1100	11.1400
B937F040092	5	x	11 1/2	4.8600	4.8900	11.6100	11.6400
B937F040096	5	x	12	4.8600	4.8900	12.1100	12.1400
B937F040100	5	x	12 1/2	4.8600	4.8900	12.6100	12.6400
B937F044080	5 1/2	x	10	5.3600	5.3900	10.1100	10.1400
B937F044084	5 1/2	x	10 1/2	5.3600	5.3900	10.6100	10.6400
B937F044088	5 1/2	x	11	5.3600	5.3900	11.1100	11.1400
B937F044092	5 1/2	x	11 1/2	5.3600	5.3900	11.6100	11.6400
B937F044096	5 1/2	x	12	5.3600	5.3900	12.1100	12.1400
B937F044100	5 1/2	x	12 1/2	5.3600	5.3900	12.6100	12.6400
B937F048068	6	x	8 1/2	5.8600	5.8900	8.6100	8.6400
B937F048072	6	x	9	5.8600	5.8900	9.1100	9.1400
B937F048080	6	x	10	5.8600	5.8900	10.1100	10.1400
B937F048084	6	x	10 1/2	5.8600	5.8900	10.6100	10.6400
B937F048088	6	x	11	5.8600	5.8900	11.1100	11.1400
B937F048092	6	x	11 1/2	5.8600	5.8900	11.6100	11.6400
B937F048096	6	x	12	5.8600	5.8900	12.1100	12.1400
B937F048100	6	x	12 1/2	5.8600	5.8900	12.6100	12.6400
B937F048104	6	x	13	5.8600	5.8900	13.1100	13.1400
B937F048112	6	x	14	5.8600	5.8900	14.1100	14.1400
B937F052068	6 1/2	x	8 1/2	6.3600	6.3900	8.6100	8.6400
B937F052076	6 1/2	x	9 1/2	6.3600	6.3900	9.6100	9.6400
B937F052080	6 1/2	x	10	6.3600	6.3900	10.1100	10.1400
B937F052084	6 1/2	x	10 1/2	6.3600	6.3900	10.6100	10.6400
B937F052088	6 1/2	x	11	6.3600	6.3900	11.1100	11.1400
B937F052092	6 1/2	x	11 1/2	6.3600	6.3900	11.6100	11.6400
B937F052096	6 1/2	x	12	6.3600	6.3900	12.1100	12.1400
B937F052100	6 1/2	x	12 1/2	6.3600	6.3900	12.6100	12.6400
B937F052104	6 1/2	x	13	6.3600	6.3900	13.1100	13.1400
B937F056068	7	x	8 1/2	6.8600	6.8900	8.6100	8.6400
B937F056072	7	x	9	6.8600	6.8900	9.1100	9.1400
B937F056076	7	x	9 1/2	6.8600	6.8900	9.6100	9.6400
B937F056080	7	x	10	6.8600	6.8900	10.1100	10.1400
B937F056084	7	x	10 1/2	6.8600	6.8900	10.6100	10.6400
B937F056088	7	x	11	6.8600	6.8900	11.1100	11.1400
B937F056092	7	x	11 1/2	6.8600	6.8900	11.6100	11.6400
B937F056096	7	x	12	6.8600	6.8900	12.1100	12.1400
B937F056100	7	x	12 1/2	6.8600	6.8900	12.6100	12.6400
B937F056104	7	x	13	6.8600	6.8900	13.1100	13.1400
B937F056112	7	x	14	6.8600	6.8900	14.1100	14.1400
B937F060068	7 1/2	x	8 1/2	7.3600	7.3900	8.6100	8.6400
B937F060076	7 1/2	x	9 1/2	7.3600	7.3900	9.6100	9.6400
B937F060080	7 1/2	x	10	7.3600	7.3900	10.1100	10.1400
B937F060084	7 1/2	x	10 1/2	7.3600	7.3900	10.6100	10.6400
B937F060088	7 1/2	x	11	7.3600	7.3900	11.1100	11.1400
B937F060092	7 1/2	x	11 1/2	7.3600	7.3900	11.6100	11.6400
B937F060096	7 1/2	x	12	7.3600	7.3900	12.1100	12.1400
B937F060100	7 1/2	x	12 1/2	7.3600	7.3900	12.6100	12.6400



C93700 (SAE 64) Centrifugal Cast Bronze Cored Bars

PART NUMBER	NOMINAL SIZES			I.D. Min.	I.D. Max.	O.D. Min.	O.D. Max.
	I.D.	x	O.D.				
B937F060104	7 1/2	x	13	7.3600	7.3900	13.1100	13.1400
B937F060108	7 1/2	x	13 1/2	7.3600	7.3900	13.6100	13.6400
B937F064072	8	x	9	7.8600	7.8900	9.1100	9.1400
B937F064076	8	x	9 1/2	7.8600	7.8900	9.6100	9.6400
B937F064080	8	x	10	7.8600	7.8900	10.1100	10.1400
B937F064084	8	x	10 1/2	7.8600	7.8900	10.6100	10.6400
B937F064088	8	x	11	7.8600	7.8900	11.1100	11.1400
B937F064092	8	x	11 1/2	7.8600	7.8900	11.6100	11.6400
B937F064096	8	x	12	7.8600	7.8900	12.1100	12.1400
B937F064100	8	x	12 1/2	7.8600	7.8900	12.6100	12.6400
B937F064104	8	x	13	7.8600	7.8900	13.1100	13.1400
B937F064108	8	x	13 1/2	7.8600	7.8900	13.6100	13.6400
B937F064112	8	x	14	7.8600	7.8900	14.1100	14.1400
B937F064128	8	x	16	7.8600	7.8900	16.1100	16.1400
B937F068076	8 1/2	x	9 1/2	8.3600	8.3900	9.6100	9.6400
B937F068080	8 1/2	x	10	8.3600	8.3900	10.1100	10.1400
B937F068084	8 1/2	x	10 1/2	8.3600	8.3900	10.6100	10.6400
B937F068088	8 1/2	x	11	8.3600	8.3900	11.1100	11.1400
B937F068092	8 1/2	x	11 1/2	8.3600	8.3900	11.6100	11.6400
B937F068096	8 1/2	x	12	8.3600	8.3900	12.1100	12.1400
B937F068100	8 1/2	x	12 1/2	8.3600	8.3900	12.6100	12.6400
B937F068104	8 1/2	x	13	8.3600	8.3900	13.1100	13.1400
B937F068108	8 1/2	x	13 1/2	8.3600	8.3900	13.6100	13.6400
B937F068112	8 1/2	x	14	8.3600	8.3900	14.1100	14.1400
B937F072080	9	x	10	8.8600	8.8900	10.1100	10.1400
B937F072084	9	x	10 1/2	8.8600	8.8900	10.6100	10.6400
B937F072088	9	x	11	8.8600	8.8900	11.1100	11.1400
B937F072092	9	x	11 1/2	8.8600	8.8900	11.6100	11.6400
B937F072096	9	x	12	8.8600	8.8900	12.1100	12.1400
B937F072100	9	x	12 1/2	8.8600	8.8900	12.6100	12.6400
B937F072104	9	x	13	8.8600	8.8900	13.1100	13.1400
B937F072108	9	x	13 1/2	8.8600	8.8900	13.6100	13.6400
B937F072112	9	x	14	8.8600	8.8900	14.1100	14.1400
B937F076084	9 1/2	x	10 1/2	9.3600	9.3900	10.6100	10.6400
B937F076088	9 1/2	x	11	9.3600	9.3900	11.1100	11.1400
B937F076092	9 1/2	x	11 1/2	9.3600	9.3900	11.6100	11.6400
B937F076096	9 1/2	x	12	9.3600	9.3900	12.1100	12.1400
B937F076100	9 1/2	x	12 1/2	9.3600	9.3900	12.6100	12.6400
B937F076104	9 1/2	x	13	9.3600	9.3900	13.1100	13.1400
B937F076108	9 1/2	x	13 1/2	9.3600	9.3900	13.6100	13.6400
B937F076112	9 1/2	x	14	9.3600	9.3900	14.1100	14.1400
B937F080088	10	x	11	9.8600	9.8900	11.1100	11.1400
B937F080092	10	x	11 1/2	9.8600	9.8900	11.6100	11.6400
B937F080096	10	x	12	9.8600	9.8900	12.1100	12.1400
B937F080100	10	x	12 1/2	9.8600	9.8900	12.6100	12.6400
B937F080104	10	x	13	9.8600	9.8900	13.1100	13.1400
B937F080108	10	x	13 1/2	9.8600	9.8900	13.6100	13.6400
B937F080112	10	x	14	9.8600	9.8900	14.1100	14.1400
B937F080128	10	x	16	9.8600	9.8900	16.1100	16.1400
B937F080144	10	x	18	9.8600	9.8900	18.1100	18.1400
B937F084092	10 1/2	x	11 1/2	10.3600	10.3900	11.6100	11.6400



C93700 (SAE 64) Centrifugal Cast Bronze Cored Bars

PART NUMBER	NOMINAL SIZES			I.D. Min.	I.D. Max.	O.D. Min.	O.D. Max.
	I.D.		O.D.				
B937F084096	10 1/2	x	12	10.3600	10.3900	12.1100	12.1400
B937F084100	10 1/2	x	12 1/2	10.3600	10.3900	12.6100	12.6400
B937F084104	10 1/2	x	13	10.3600	10.3900	13.1100	13.1400
B937F084108	10 1/2	x	13 1/2	10.3600	10.3900	13.6100	13.6400
B937F084112	10 1/2	x	14	10.3600	10.3900	14.1100	14.1400
B937F084116	10 1/2	x	14 1/2	10.3600	10.3900	14.6100	14.6400
B937F084120	10 1/2	x	15	10.3600	10.3900	15.1100	15.1400
B937F088096	11	x	12	10.8600	10.8900	12.1100	12.1400
B937F088100	11	x	12 1/2	10.8600	10.8900	12.6100	12.6400
B937F088104	11	x	13	10.8600	10.8900	13.1100	13.1400
B937F088108	11	x	13 1/2	10.8600	10.8900	13.6100	13.6400
B937F088112	11	x	14	10.8600	10.8900	14.1100	14.1400
B937F088116	11	x	14 1/2	10.8600	10.8900	14.6100	14.6400
B937F088120	11	x	15	10.8600	10.8900	15.1100	15.1400
B937F092100	11 1/2	x	12 1/2	11.3600	11.3900	12.6100	12.6400
B937F092104	11 1/2	x	13	11.3600	11.3900	13.1100	13.1400
B937F092108	11 1/2	x	13 1/2	11.3600	11.3900	13.6100	13.6400
B937F092112	11 1/2	x	14	11.3600	11.3900	14.1100	14.1400
B937F092116	11 1/2	x	14 1/2	11.3600	11.3900	14.6100	14.6400
B937F092120	11 1/2	x	15	11.3600	11.3900	15.1100	15.1400
B937F096104	12	x	13	11.8600	11.8900	13.1100	13.1400
B937F096108	12	x	13 1/2	11.8600	11.8900	13.6100	13.6400
B937F096112	12	x	14	11.8600	11.8900	14.1100	14.1400
B937F096116	12	x	14 1/2	11.8600	11.8900	14.6100	14.6400
B937F096120	12	x	15	11.8600	11.8900	15.1100	15.1400
B937F096124	12	x	15 1/2	11.8600	11.8900	15.6100	15.6400
B937F096128	12	x	16	11.8600	11.8900	16.1100	16.1400
B937F096144	12	x	18	11.8600	11.8900	18.1100	18.1400
B937F100108	12 1/2	x	13 1/2	12.3600	12.3900	13.6100	13.6400
B937F100112	12 1/2	x	14	12.3600	12.3900	14.1100	14.1400
B937F100116	12 1/2	x	14 1/2	12.3600	12.3900	14.6100	14.6400
B937F100120	12 1/2	x	15	12.3600	12.3900	15.1100	15.1400
B937F100124	12 1/2	x	15 1/2	12.3600	12.3900	15.6100	15.6400
B937F100128	12 1/2	x	16	12.3600	12.3900	16.1100	16.1400
B937F104112	13	x	14	12.8600	12.8900	14.1100	14.1400
B937F104116	13	x	14 1/2	12.8600	12.8900	14.6100	14.6400
B937F104120	13	x	15	12.8600	12.8900	15.1100	15.1400
B937F104124	13	x	15 1/2	12.8600	12.8900	15.6100	15.6400
B937F104128	13	x	16	12.8600	12.8900	16.1100	16.1400
B937F108116	13 1/2	x	14 1/2	13.3600	13.3900	14.6100	14.6400
B937F108120	13 1/2	x	15	13.3600	13.3900	15.1100	15.1400
B937F108124	13 1/2	x	15 1/2	13.3600	13.3900	15.6100	15.6400
B937F108128	13 1/2	x	16	13.3600	13.3900	16.1100	16.1400
B937F108132	13 1/2	x	16 1/2	13.3600	13.3900	16.6100	16.6400
B937F108136	13 1/2	x	17	13.3600	13.3900	17.1100	17.1400
B937F112120	14	x	15	13.8600	13.8900	15.1100	15.1400
B937F112124	14	x	15 1/2	13.8600	13.8900	15.6100	15.6400
B937F112128	14	x	16	13.8600	13.8900	16.1100	16.1400
B937F112132	14	x	16 1/2	13.8600	13.8900	16.6100	16.6400
B937F112136	14	x	17	13.8600	13.8900	17.1100	17.1400
B937F112144	14	x	18	13.8600	13.8900	18.1100	18.1400



C93700 (SAE 64) Centrifugal Cast Bronze Cored Bars

PART NUMBER	NOMINAL SIZES			I.D. Min.	I.D. Max.	O.D. Min.	O.D. Max.
	I.D.	x	O.D.				
B937F116124	14 1/2	x	15 1/2	14.3600	14.3900	15.6100	15.6400
B937F116128	14 1/2	x	16	14.3600	14.3900	16.1100	16.1400
B937F116132	14 1/2	x	16 1/2	14.3600	14.3900	16.6100	16.6400
B937F116136	14 1/2	x	17	14.3600	14.3900	17.1100	17.1400
B937F120128	15	x	16	14.8600	14.8900	16.1100	16.1400
B937F120132	15	x	16 1/2	14.8600	14.8900	16.6100	16.6400
B937F120136	15	x	17	14.8600	14.8900	17.1100	17.1400
B937F120140	15	x	17 1/2	14.8600	14.8900	17.6100	17.6400
B937F120144	15	x	18	14.8600	14.8900	18.1100	18.1400
B937F120148	15	x	18 1/2	14.8600	14.8900	18.6100	18.6400
B937F124132	15 1/2	x	16 1/2	15.3600	15.3900	16.6100	16.6400
B937F124136	15 1/2	x	17	15.3600	15.3900	17.1100	17.1400
B937F124140	15 1/2	x	17 1/2	15.3600	15.3900	17.6100	17.6400
B937F124144	15 1/2	x	18	15.3600	15.3900	18.1100	18.1400
B937F124148	15 1/2	x	18 1/2	15.3600	15.3900	18.6100	18.6400
B937F128136	16	x	17	15.8600	15.8900	17.1100	17.1400
B937F128140	16	x	17 1/2	15.8600	15.8900	17.6100	17.6400
B937F128144	16	x	18	15.8600	15.8900	18.1100	18.1400
B937F128148	16	x	18 1/2	15.8600	15.8900	18.6100	18.6400
B937F128152	16	x	19	15.8600	15.8900	19.1100	19.1400
B937F132140	16 1/2	x	17 1/2	16.3600	16.3900	17.6100	17.6400
B937F132144	16 1/2	x	18	16.3600	16.3900	18.1100	18.1400
B937F132148	16 1/2	x	18 1/2	16.3600	16.3900	18.6100	18.6400
B937F132152	16 1/2	x	19	16.3600	16.3900	19.1100	19.1400
B937F132156	16 1/2	x	19 1/2	16.3600	16.3900	19.6100	19.6400
B937F136144	17	x	18	16.8600	16.8900	18.1100	18.1400
B937F136148	17	x	18 1/2	16.8600	16.8900	18.6100	18.6400
B937F136152	17	x	19	16.8600	16.8900	19.1100	19.1400
B937F136156	17	x	19 1/2	16.8600	16.8900	19.6100	19.6400
B937F140148	17 1/2	x	18 1/2	17.3600	17.3900	18.6100	18.6400
B937F140152	17 1/2	x	19	17.3600	17.3900	19.1100	19.1400
B937F140156	17 1/2	x	19 1/2	17.3600	17.3900	19.6100	19.6400
B937F140160	17 1/2	x	20	17.3600	17.3900	20.1100	20.1400
B937F144152	18	x	19	17.8600	17.8900	19.1100	19.1400
B937F144156	18	x	19 1/2	17.8600	17.8900	19.6100	19.6400
B937F144160	18	x	20	17.8600	17.8900	20.1100	20.1400
B937F148156	18 1/2	x	19 1/2	18.3600	18.3900	19.6100	19.6400
B937F148160	18 1/2	x	20	18.3600	18.3900	20.1100	20.1400
B937F152160	19	x	20	18.8600	18.8900	20.1100	20.1400

Bunting C93800 Continuous Cast Solid, Cored and Centrifugal Cast Bronze Bar

High-Leaded Tin Bronze

CDA 938

SAE 67

78-7-15

ASTM B505

ASTM B271

Bunting continuous cast bronze bars of C93800 give superior quality and performance. Continuous casting achieves a high density grain structure, free of porosity, resulting in a reduction of tool wear and component rejects.

Solid and cored bars are stocked in 13" increments and 105" lengths and are available in other lengths and non-standard sizes. Consider bars for use when you need special bearings, bearings for prototypes, or for emergency repairs.

Centrifugal cast large diameter cored bars are also available in 13" lengths as well as made to order sizes and alloys.

Typical Properties: (Not to be used for specification purposes.)

Copper.....	75.00 – 79.00%
Tin.....	6.30 – 7.50%
Lead.....	13.00 – 16.00%

Physical Properties:

Continuous Cast

Centrifugal Cast

Tensile Strength, PSI.....	25,000 min.	26,000 min.
Yield Strength, PSI.....	16,000 min.	14,000 min.
Elongation.....	5% min.	12% min.
Brinell Hardness (500 kg load).....		55 typical
Machinability Rating.....		80
Minimum Operating Temperature.....		-450°F
Maximum Operating Temperature.....		+500°F

C93800 is similar to C93200 but the higher lead content improves the machinability and frictional properties. C93800 can be used in applications where lubrication may be interrupted without seizing.

Bunting also produces other high-leaded alloys including C93400, C93600, C93700, C93900, C94000, C94100, C94300, C94400 and C94500.



C93800 (SAE 67) Continuous Cast Bronze Solid Bars

PART NUMBER	NOMINAL SIZES			O.D. Min.	O.D. Max.
	I.D.		O.D.		
B938S000008	SOLID	x	1	1.0310	1.0410
B938S000012*	SOLID	x	1 1/2	1.5310	1.5410
B938S000016	SOLID	x	2	2.0340	2.0440
B938S000020*	SOLID	x	2 1/2	2.5340	2.5440
B938S000024	SOLID	x	3	3.0340	3.0440
B938S000028*	SOLID	x	3 1/2	3.5340	3.5440
B938S000032	SOLID	x	4	4.0550	4.0710
B938S000036	SOLID	x	4 1/2	4.5550	4.5710
B938S000040	SOLID	x	5	5.0550	5.0710
B938S000048	SOLID	x	6	6.0780	6.1100
B938S000064	SOLID	x	8	8.0780	8.1100
B938S000080	SOLID	x	10	10.0940	10.1340

*When current inventory is depleted, these sizes will be supplied on special order basis only. Minimum order quantities may apply.

C93800 (SAE 67) Continuous Cast Bronze Cored Bars

PART NUMBER	NOMINAL SIZES			I.D. Min.	I.D. Max.	O.D. Min.	O.D. Max.
	I.D.		O.D.				
B938C004008*	1/2	x	1	0.4360	0.4800	1.0310	1.0410
B938C006010*	3/4	x	1 1/4	0.6860	0.7300	1.2810	1.2910
B938C008012*	1	x	1 1/2	0.9360	0.9800	1.5310	1.5410
B938C008016*	1	x	2	0.9360	0.9800	2.0340	2.0440
B938C012016*	1 1/2	x	2	1.4360	1.4800	2.0340	2.0440
B938C012020*	1 1/2	x	2 1/2	1.4360	1.4800	2.5340	2.5440
B938C016020*	2	x	2 1/2	1.9360	1.9800	2.5340	2.5440
B938C016024*	2	x	3	1.9360	1.9800	3.0340	3.0440
B938C020024*	2 1/2	x	3	2.4360	2.4800	3.0340	3.0440
B938C020028*	2 1/2	x	3 1/2	2.4360	2.4800	3.5340	3.5440
B938C024028*	3	x	3 1/2	2.9360	2.9800	3.5340	3.5440
B938C024032*	3	x	4	2.8910	2.9530	4.0550	4.0710
B938C028032*	3 1/2	x	4	3.3910	3.4530	4.0550	4.0710
B938C028036*	3 1/2	x	4 1/2	3.3910	3.4530	4.5550	4.5710
B938C032036*	4	x	4 1/2	3.8910	3.9530	4.5550	4.5710
B938C032040*	4	x	5	3.8910	3.9530	5.0550	5.0710
B938C034042*	4 1/4	x	5 1/4	4.0920	4.1880	5.3280	5.3600
B938C036044*	4 1/2	x	5 1/2	4.3420	4.4380	5.5780	5.6100
B938C040048*	5	x	6	4.8420	4.9380	6.0780	6.1100

*When current inventory is depleted, these sizes will be supplied on special order basis only. Minimum order quantities may apply.



C93800 (SAE 67) Centrifugal Cast Bronze Cored Bars

PART NUMBER	NOMINAL SIZES		I.D. Min.	I.D. Max.	O.D. Min.	O.D. Max.
	I.D.	O.D.				
B938F040072	5	x 9	4.8600	4.8900	9.1100	9.1400
B938F040080	5	x 10	4.8600	4.8900	10.1100	10.1400
B938F040084	5	x 10 1/2	4.8600	4.8900	10.6100	10.6400
B938F040088	5	x 11	4.8600	4.8900	11.1100	11.1400
B938F040092	5	x 11 1/2	4.8600	4.8900	11.6100	11.6400
B938F040096	5	x 12	4.8600	4.8900	12.1100	12.1400
B938F040100	5	x 12 1/2	4.8600	4.8900	12.6100	12.6400
B938F044080	5 1/2	x 10	5.3600	5.3900	10.1100	10.1400
B938F044084	5 1/2	x 10 1/2	5.3600	5.3900	10.6100	10.6400
B938F044088	5 1/2	x 11	5.3600	5.3900	11.1100	11.1400
B938F044092	5 1/2	x 11 1/2	5.3600	5.3900	11.6100	11.6400
B938F044096	5 1/2	x 12	5.3600	5.3900	12.1100	12.1400
B938F044100	5 1/2	x 12 1/2	5.3600	5.3900	12.6100	12.6400
B938F048068	6	x 8 1/2	5.8600	5.8900	8.6100	8.6400
B938F048072	6	x 9	5.8600	5.8900	9.1100	9.1400
B938F048080	6	x 10	5.8600	5.8900	10.1100	10.1400
B938F048084	6	x 10 1/2	5.8600	5.8900	10.6100	10.6400
B938F048088	6	x 11	5.8600	5.8900	11.1100	11.1400
B938F048092	6	x 11 1/2	5.8600	5.8900	11.6100	11.6400
B938F048096	6	x 12	5.8600	5.8900	12.1100	12.1400
B938F048100	6	x 12 1/2	5.8600	5.8900	12.6100	12.6400
B938F048104	6	x 13	5.8600	5.8900	13.1100	13.1400
B938F048112	6	x 14	5.8600	5.8900	14.1100	14.1400
B938F052068	6 1/2	x 8 1/2	6.3600	6.3900	8.6100	8.6400
B938F052076	6 1/2	x 9 1/2	6.3600	6.3900	9.6100	9.6400
B938F052080	6 1/2	x 10	6.3600	6.3900	10.1100	10.1400
B938F052084	6 1/2	x 10 1/2	6.3600	6.3900	10.6100	10.6400
B938F052088	6 1/2	x 11	6.3600	6.3900	11.1100	11.1400
B938F052092	6 1/2	x 11 1/2	6.3600	6.3900	11.6100	11.6400
B938F052096	6 1/2	x 12	6.3600	6.3900	12.1100	12.1400
B938F052100	6 1/2	x 12 1/2	6.3600	6.3900	12.6100	12.6400
B938F052104	6 1/2	x 13	6.3600	6.3900	13.1100	13.1400
B938F056068	7	x 8 1/2	6.8600	6.8900	8.6100	8.6400
B938F056072	7	x 9	6.8600	6.8900	9.1100	9.1400
B938F056076	7	x 9 1/2	6.8600	6.8900	9.6100	9.6400
B938F056080	7	x 10	6.8600	6.8900	10.1100	10.1400
B938F056084	7	x 10 1/2	6.8600	6.8900	10.6100	10.6400
B938F056088	7	x 11	6.8600	6.8900	11.1100	11.1400
B938F056092	7	x 11 1/2	6.8600	6.8900	11.6100	11.6400
B938F056096	7	x 12	6.8600	6.8900	12.1100	12.1400
B938F056100	7	x 12 1/2	6.8600	6.8900	12.6100	12.6400
B938F056104	7	x 13	6.8600	6.8900	13.1100	13.1400
B938F056112	7	x 14	6.8600	6.8900	14.1100	14.1400
B938F060068	7 1/2	x 8 1/2	7.3600	7.3900	8.6100	8.6400
B938F060076	7 1/2	x 9 1/2	7.3600	7.3900	9.6100	9.6400
B938F060080	7 1/2	x 10	7.3600	7.3900	10.1100	10.1400
B938F060084	7 1/2	x 10 1/2	7.3600	7.3900	10.6100	10.6400
B938F060088	7 1/2	x 11	7.3600	7.3900	11.1100	11.1400
B938F060092	7 1/2	x 11 1/2	7.3600	7.3900	11.6100	11.6400
B938F060096	7 1/2	x 12	7.3600	7.3900	12.1100	12.1400
B938F060100	7 1/2	x 12 1/2	7.3600	7.3900	12.6100	12.6400



C93800 (SAE 67) Centrifugal Cast Bronze Cored Bars

PART NUMBER	NOMINAL SIZES			I.D. Min.	I.D. Max.	O.D. Min.	O.D. Max.
	I.D.	x	O.D.				
B938F060104	7 1/2	x	13	7.3600	7.3900	13.1100	13.1400
B938F060108	7 1/2	x	13 1/2	7.3600	7.3900	13.6100	13.6400
B938F064072	8	x	9	7.8600	7.8900	9.1100	9.1400
B938F064076	8	x	9 1/2	7.8600	7.8900	9.6100	9.6400
B938F064080	8	x	10	7.8600	7.8900	10.1100	10.1400
B938F064084	8	x	10 1/2	7.8600	7.8900	10.6100	10.6400
B938F064088	8	x	11	7.8600	7.8900	11.1100	11.1400
B938F064092	8	x	11 1/2	7.8600	7.8900	11.6100	11.6400
B938F064096	8	x	12	7.8600	7.8900	12.1100	12.1400
B938F064100	8	x	12 1/2	7.8600	7.8900	12.6100	12.6400
B938F064104	8	x	13	7.8600	7.8900	13.1100	13.1400
B938F064108	8	x	13 1/2	7.8600	7.8900	13.6100	13.6400
B938F064112	8	x	14	7.8600	7.8900	14.1100	14.1400
B938F064128	8	x	16	7.8600	7.8900	16.1100	16.1400
B938F068076	8 1/2	x	9 1/2	8.3600	8.3900	9.6100	9.6400
B938F068080	8 1/2	x	10	8.3600	8.3900	10.1100	10.1400
B938F068084	8 1/2	x	10 1/2	8.3600	8.3900	10.6100	10.6400
B938F068088	8 1/2	x	11	8.3600	8.3900	11.1100	11.1400
B938F068092	8 1/2	x	11 1/2	8.3600	8.3900	11.6100	11.6400
B938F068096	8 1/2	x	12	8.3600	8.3900	12.1100	12.1400
B938F068100	8 1/2	x	12 1/2	8.3600	8.3900	12.6100	12.6400
B938F068104	8 1/2	x	13	8.3600	8.3900	13.1100	13.1400
B938F068108	8 1/2	x	13 1/2	8.3600	8.3900	13.6100	13.6400
B938F068112	8 1/2	x	14	8.3600	8.3900	14.1100	14.1400
B938F072080	9	x	10	8.8600	8.8900	10.1100	10.1400
B938F072084	9	x	10 1/2	8.8600	8.8900	10.6100	10.6400
B938F072088	9	x	11	8.8600	8.8900	11.1100	11.1400
B938F072092	9	x	11 1/2	8.8600	8.8900	11.6100	11.6400
B938F072096	9	x	12	8.8600	8.8900	12.1100	12.1400
B938F072100	9	x	12 1/2	8.8600	8.8900	12.6100	12.6400
B938F072104	9	x	13	8.8600	8.8900	13.1100	13.1400
B938F072108	9	x	13 1/2	8.8600	8.8900	13.6100	13.6400
B938F072112	9	x	14	8.8600	8.8900	14.1100	14.1400
B938F076084	9 1/2	x	10 1/2	9.3600	9.3900	10.6100	10.6400
B938F076088	9 1/2	x	11	9.3600	9.3900	11.1100	11.1400
B938F076092	9 1/2	x	11 1/2	9.3600	9.3900	11.6100	11.6400
B938F076096	9 1/2	x	12	9.3600	9.3900	12.1100	12.1400
B938F076100	9 1/2	x	12 1/2	9.3600	9.3900	12.6100	12.6400
B938F076104	9 1/2	x	13	9.3600	9.3900	13.1100	13.1400
B938F076108	9 1/2	x	13 1/2	9.3600	9.3900	13.6100	13.6400
B938F076112	9 1/2	x	14	9.3600	9.3900	14.1100	14.1400
B938F080088	10	x	11	9.8600	9.8900	11.1100	11.1400
B938F080092	10	x	11 1/2	9.8600	9.8900	11.6100	11.6400
B938F080096	10	x	12	9.8600	9.8900	12.1100	12.1400
B938F080100	10	x	12 1/2	9.8600	9.8900	12.6100	12.6400
B938F080104	10	x	13	9.8600	9.8900	13.1100	13.1400
B938F080108	10	x	13 1/2	9.8600	9.8900	13.6100	13.6400
B938F080112	10	x	14	9.8600	9.8900	14.1100	14.1400
B938F080128	10	x	16	9.8600	9.8900	16.1100	16.1400
B938F080144	10	x	18	9.8600	9.8900	18.1100	18.1400



C93800 (SAE 67) Centrifugal Cast Bronze Cored Bars

PART NUMBER	NOMINAL SIZES			I.D. Min.	I.D. Max.	O.D. Min.	O.D. Max.
	I.D.		O.D.				
B938F084092	10 1/2	x	11 1/2	10.3600	10.3900	11.6100	11.6400
B938F084096	10 1/2	x	12	10.3600	10.3900	12.1100	12.1400
B938F084100	10 1/2	x	12 1/2	10.3600	10.3900	12.6100	12.6400
B938F084104	10 1/2	x	13	10.3600	10.3900	13.1100	13.1400
B938F084108	10 1/2	x	13 1/2	10.3600	10.3900	13.6100	13.6400
B938F084112	10 1/2	x	14	10.3600	10.3900	14.1100	14.1400
B938F084116	10 1/2	x	14 1/2	10.3600	10.3900	14.6100	14.6400
B938F084120	10 1/2	x	15	10.3600	10.3900	15.1100	15.1400
B938F088096	11	x	12	10.8600	10.8900	12.1100	12.1400
B938F088100	11	x	12 1/2	10.8600	10.8900	12.6100	12.6400
B938F088104	11	x	13	10.8600	10.8900	13.1100	13.1400
B938F088108	11	x	13 1/2	10.8600	10.8900	13.6100	13.6400
B938F088112	11	x	14	10.8600	10.8900	14.1100	14.1400
B938F088116	11	x	14 1/2	10.8600	10.8900	14.6100	14.6400
B938F088120	11	x	15	10.8600	10.8900	15.1100	15.1400
B938F092100	11 1/2	x	12 1/2	11.3600	11.3900	12.6100	12.6400
B938F092104	11 1/2	x	13	11.3600	11.3900	13.1100	13.1400
B938F092108	11 1/2	x	13 1/2	11.3600	11.3900	13.6100	13.6400
B938F092112	11 1/2	x	14	11.3600	11.3900	14.1100	14.1400
B938F092116	11 1/2	x	14 1/2	11.3600	11.3900	14.6100	14.6400
B938F092120	11 1/2	x	15	11.3600	11.3900	15.1100	15.1400
B938F096104	12	x	13	11.8600	11.8900	13.1100	13.1400
B938F096108	12	x	13 1/2	11.8600	11.8900	13.6100	13.6400
B938F096112	12	x	14	11.8600	11.8900	14.1100	14.1400
B938F096116	12	x	14 1/2	11.8600	11.8900	14.6100	14.6400
B938F096120	12	x	15	11.8600	11.8900	15.1100	15.1400
B938F096124	12	x	15 1/2	11.8600	11.8900	15.6100	15.6400
B938F096128	12	x	16	11.8600	11.8900	16.1100	16.1400
B938F096144	12	x	18	11.8600	11.8900	18.1100	18.1400
B938F100108	12 1/2	x	13 1/2	12.3600	12.3900	13.6100	13.6400
B938F100112	12 1/2	x	14	12.3600	12.3900	14.1100	14.1400
B938F100116	12 1/2	x	14 1/2	12.3600	12.3900	14.6100	14.6400
B938F100120	12 1/2	x	15	12.3600	12.3900	15.1100	15.1400
B938F100124	12 1/2	x	15 1/2	12.3600	12.3900	15.6100	15.6400
B938F100128	12 1/2	x	16	12.3600	12.3900	16.1100	16.1400
B938F104112	13	x	14	12.8600	12.8900	14.1100	14.1400
B938F104116	13	x	14 1/2	12.8600	12.8900	14.6100	14.6400
B938F104120	13	x	15	12.8600	12.8900	15.1100	15.1400
B938F104124	13	x	15 1/2	12.8600	12.8900	15.6100	15.6400
B938F104128	13	x	16	12.8600	12.8900	16.1100	16.1400
B938F108116	13 1/2	x	14 1/2	13.3600	13.3900	14.6100	14.6400
B938F108120	13 1/2	x	15	13.3600	13.3900	15.1100	15.1400
B938F108124	13 1/2	x	15 1/2	13.3600	13.3900	15.6100	15.6400
B938F108128	13 1/2	x	16	13.3600	13.3900	16.1100	16.1400
B938F108132	13 1/2	x	16 1/2	13.3600	13.3900	16.6100	16.6400
B938F108136	13 1/2	x	17	13.3600	13.3900	17.1100	17.1400
B938F112120	14	x	15	13.8600	13.8900	15.1100	15.1400
B938F112124	14	x	15 1/2	13.8600	13.8900	15.6100	15.6400
B938F112128	14	x	16	13.8600	13.8900	16.1100	16.1400
B938F112132	14	x	16 1/2	13.8600	13.8900	16.6100	16.6400



C93800 (SAE 67) Centrifugal Cast Bronze Cored Bars

PART NUMBER	NOMINAL SIZES			I.D. Min.	I.D. Max.	O.D. Min.	O.D. Max.
	I.D.	x	O.D.				
B938F112136	14	x	17	13.8600	13.8900	17.1100	17.1400
B938F112144	14	x	18	13.8600	13.8900	18.1100	18.1400
B938F116124	14 1/2	x	15 1/2	14.3600	14.3900	15.6100	15.6400
B938F116128	14 1/2	x	16	14.3600	14.3900	16.1100	16.1400
B938F116132	14 1/2	x	16 1/2	14.3600	14.3900	16.6100	16.6400
B938F116136	14 1/2	x	17	14.3600	14.3900	17.1100	17.1400
B938F120128	15	x	16	14.8600	14.8900	16.1100	16.1400
B938F120132	15	x	16 1/2	14.8600	14.8900	16.6100	16.6400
B938F120136	15	x	17	14.8600	14.8900	17.1100	17.1400
B938F120140	15	x	17 1/2	14.8600	14.8900	17.6100	17.6400
B938F120144	15	x	18	14.8600	14.8900	18.1100	18.1400
B938F120148	15	x	18 1/2	14.8600	14.8900	18.6100	18.6400
B938F124132	15 1/2	x	16 1/2	15.3600	15.3900	16.6100	16.6400
B938F124136	15 1/2	x	17	15.3600	15.3900	17.1100	17.1400
B938F124140	15 1/2	x	17 1/2	15.3600	15.3900	17.6100	17.6400
B938F124144	15 1/2	x	18	15.3600	15.3900	18.1100	18.1400
B938F124148	15 1/2	x	18 1/2	15.3600	15.3900	18.6100	18.6400
B938F128136	16	x	17	15.8600	15.8900	17.1100	17.1400
B938F128140	16	x	17 1/2	15.8600	15.8900	17.6100	17.6400
B938F128144	16	x	18	15.8600	15.8900	18.1100	18.1400
B938F128148	16	x	18 1/2	15.8600	15.8900	18.6100	18.6400
B938F128152	16	x	19	15.8600	15.8900	19.1100	19.1400
B938F132140	16 1/2	x	17 1/2	16.3600	16.3900	17.6100	17.6400
B938F132144	16 1/2	x	18	16.3600	16.3900	18.1100	18.1400
B938F132148	16 1/2	x	18 1/2	16.3600	16.3900	18.6100	18.6400
B938F132152	16 1/2	x	19	16.3600	16.3900	19.1100	19.1400
B938F132156	16 1/2	x	19 1/2	16.3600	16.3900	19.6100	19.6400
B938F136144	17	x	18	16.8600	16.8900	18.1100	18.1400
B938F136148	17	x	18 1/2	16.8600	16.8900	18.6100	18.6400
B938F136152	17	x	19	16.8600	16.8900	19.1100	19.1400
B938F136156	17	x	19 1/2	16.8600	16.8900	19.6100	19.6400
B938F140148	17 1/2	x	18 1/2	17.3600	17.3900	18.6100	18.6400
B938F140152	17 1/2	x	19	17.3600	17.3900	19.1100	19.1400
B938F140156	17 1/2	x	19 1/2	17.3600	17.3900	19.6100	19.6400
B938F140160	17 1/2	x	20	17.3600	17.3900	20.1100	20.1400
B938F144152	18	x	19	17.8600	17.8900	19.1100	19.1400
B938F144156	18	x	19 1/2	17.8600	17.8900	19.6100	19.6400
B938F144160	18	x	20	17.8600	17.8900	20.1100	20.1400
B938F148156	18 1/2	x	19 1/2	18.3600	18.3900	19.6100	19.6400
B938F148160	18 1/2	x	20	18.3600	18.3900	20.1100	20.1400
B938F152160	19	x	20	18.8600	18.8900	20.1100	20.1400

Bunting C90300 Continuous Cast Solid and Centrifugal Cast Bronze Bar

C90300 is a "GREEN" non-lead alloy

Tin Bronze – Navy G

CDA 903

SAE 620

88-8-0-4

QQC-390B Type II and Type III

ASTM B505

ASTM B271

Bunting continuous cast bronze bars of C90300 give superior quality and performance. Continuous casting achieves a high density grain structure, free of porosity, resulting in a reduction of tool wear and component rejects.

Solid bars are stocked 13" increments and 105" lengths, and are available in other lengths and non-standard sizes. Consider bars for use when you need special bearings, bearings for prototypes, or for emergency repairs.

Centrifugal cast large diameter cored bars are also available in 13" lengths as well as made to order sizes and lengths.

Typical Properties: (Not to be used for specification purposes.)

Copper.....	86.00 – 89.00%
Tin.....	7.50 – 9.00%
Lead.....	0.30% max.
Zinc.....	3.00 – 5.00%

Physical Properties:

Continuous Cast

Centrifugal Cast

Tensile Strength, PSI.....	44,000 min.	40,000 min.
Yield Strength, PSI.....	22,000 min.	18,000 min.
Elongation.....	18% min.	20% min.
Brinell Hardness (500 kg load).....		70 typical
Machinability Rating.....		30
Minimum Operating Temperature.....		-450°F
Maximum Operating Temperature.....		+550°F

C90300 is used for bearings, seal rings, gears, piston rings, pump impellers, steam fittings, and valve components. C90300 has good wear resistance but should be used with hardened steel shafts (300-400 HB). Due to the lack of lead, this material requires constant lubrication, generally grease.



C90300 (SAE 620) Continuous Cast Bronze Solid Bars

PART NUMBER	NOMINAL SIZES			O.D. Min.	O.D. Max.
	I.D.		O.D.		
B903S000008	SOLID	x	1	1.0310	1.0410
B903S000012	SOLID	x	1 1/2	1.5310	1.5410
B903S000016	SOLID	x	2	2.0340	2.0440
B903S000020*	SOLID	x	2 1/2	2.5340	2.5440
B903S000024	SOLID	x	3	3.0340	3.0440
B903S000028*	SOLID	x	3 1/2	3.5340	3.5440
B903S000032	SOLID	x	4	4.0550	4.0710
B903S000036	SOLID	x	4 1/2	4.5550	4.5710
B903S000040	SOLID	x	5	5.0550	5.0710
B903S000048	SOLID	x	6	6.0780	6.1100
B903S000064	SOLID	x	8	8.0780	8.1100
B903S000080	SOLID	x	10	10.0940	10.1340

*When current inventory is depleted, these sizes will be supplied on special order basis only. Minimum order quantities may apply.

C90300 (SAE 620) Centrifugal Cast Bronze Cored Bars

PART NUMBER	NOMINAL SIZES			I.D. Min.	I.D. Max.	O.D. Min.	O.D. Max.
	I.D.		O.D.				
B903F040072	5	x	9	4.8600	4.8900	9.1100	9.1400
B903F040080	5	x	10	4.8600	4.8900	10.1100	10.1400
B903F040084	5	x	10 1/2	4.8600	4.8900	10.6100	10.6400
B903F040088	5	x	11	4.8600	4.8900	11.1100	11.1400
B903F040092	5	x	11 1/2	4.8600	4.8900	11.6100	11.6400
B903F040096	5	x	12	4.8600	4.8900	12.1100	12.1400
B903F040100	5	x	12 1/2	4.8600	4.8900	12.6100	12.6400
B903F044080	5 1/2	x	10	5.3600	5.3900	10.1100	10.1400
B903F044084	5 1/2	x	10 1/2	5.3600	5.3900	10.6100	10.6400
B903F044088	5 1/2	x	11	5.3600	5.3900	11.1100	11.1400
B903F044092	5 1/2	x	11 1/2	5.3600	5.3900	11.6100	11.6400
B903F044096	5 1/2	x	12	5.3600	5.3900	12.1100	12.1400
B903F044100	5 1/2	x	12 1/2	5.3600	5.3900	12.6100	12.6400
B903F048068	6	x	8 1/2	5.8600	5.8900	8.6100	8.6400
B903F048072	6	x	9	5.8600	5.8900	9.1100	9.1400
B903F048080	6	x	10	5.8600	5.8900	10.1100	10.1400
B903F048084	6	x	10 1/2	5.8600	5.8900	10.6100	10.6400
B903F048088	6	x	11	5.8600	5.8900	11.1100	11.1400
B903F048092	6	x	11 1/2	5.8600	5.8900	11.6100	11.6400
B903F048096	6	x	12	5.8600	5.8900	12.1100	12.1400
B903F048100	6	x	12 1/2	5.8600	5.8900	12.6100	12.6400
B903F048104	6	x	13	5.8600	5.8900	13.1100	13.1400
B903F048112	6	x	14	5.8600	5.8900	14.1100	14.1400
B903F052068	6 1/2	x	8 1/2	6.3600	6.3900	8.6100	8.6400
B903F052076	6 1/2	x	9 1/2	6.3600	6.3900	9.6100	9.6400



C90300 (SAE 620) Centrifugal Cast Bronze Cored Bars

PART NUMBER	NOMINAL SIZES			I.D. Min.	I.D. Max.	O.D. Min.	O.D. Max.
	I.D.		O.D.				
B903F052080	6 1/2	x	10	6.3600	6.3900	10.1100	10.1400
B903F052084	6 1/2	x	10 1/2	6.3600	6.3900	10.6100	10.6400
B903F052088	6 1/2	x	11	6.3600	6.3900	11.1100	11.1400
B903F052092	6 1/2	x	11 1/2	6.3600	6.3900	11.6100	11.6400
B903F052096	6 1/2	x	12	6.3600	6.3900	12.1100	12.1400
B903F052100	6 1/2	x	12 1/2	6.3600	6.3900	12.6100	12.6400
B903F052104	6 1/2	x	13	6.3600	6.3900	13.1100	13.1400
B903F056068	7	x	8 1/2	6.8600	6.8900	8.6100	8.6400
B903F056072	7	x	9	6.8600	6.8900	9.1100	9.1400
B903F056076	7	x	9 1/2	6.8600	6.8900	9.6100	9.6400
B903F056080	7	x	10	6.8600	6.8900	10.1100	10.1400
B903F056084	7	x	10 1/2	6.8600	6.8900	10.6100	10.6400
B903F056088	7	x	11	6.8600	6.8900	11.1100	11.1400
B903F056092	7	x	11 1/2	6.8600	6.8900	11.6100	11.6400
B903F056096	7	x	12	6.8600	6.8900	12.1100	12.1400
B903F056100	7	x	12 1/2	6.8600	6.8900	12.6100	12.6400
B903F056104	7	x	13	6.8600	6.8900	13.1100	13.1400
B903F056112	7	x	14	6.8600	6.8900	14.1100	14.1400
B903F060068	7 1/2	x	8 1/2	7.3600	7.3900	8.6100	8.6400
B903F060076	7 1/2	x	9 1/2	7.3600	7.3900	9.6100	9.6400
B903F060080	7 1/2	x	10	7.3600	7.3900	10.1100	10.1400
B903F060084	7 1/2	x	10 1/2	7.3600	7.3900	10.6100	10.6400
B903F060088	7 1/2	x	11	7.3600	7.3900	11.1100	11.1400
B903F060092	7 1/2	x	11 1/2	7.3600	7.3900	11.6100	11.6400
B903F060096	7 1/2	x	12	7.3600	7.3900	12.1100	12.1400
B903F060100	7 1/2	x	12 1/2	7.3600	7.3900	12.6100	12.6400
B903F060104	7 1/2	x	13	7.3600	7.3900	13.1100	13.1400
B903F060108	7 1/2	x	13 1/2	7.3600	7.3900	13.6100	13.6400
B903F064072	8	x	9	7.8600	7.8900	9.1100	9.1400
B903F064076	8	x	9 1/2	7.8600	7.8900	9.6100	9.6400
B903F064080	8	x	10	7.8600	7.8900	10.1100	10.1400
B903F064084	8	x	10 1/2	7.8600	7.8900	10.6100	10.6400
B903F064088	8	x	11	7.8600	7.8900	11.1100	11.1400
B903F064092	8	x	11 1/2	7.8600	7.8900	11.6100	11.6400
B903F064096	8	x	12	7.8600	7.8900	12.1100	12.1400
B903F064100	8	x	12 1/2	7.8600	7.8900	12.6100	12.6400
B903F064104	8	x	13	7.8600	7.8900	13.1100	13.1400
B903F064108	8	x	13 1/2	7.8600	7.8900	13.6100	13.6400
B903F064112	8	x	14	7.8600	7.8900	14.1100	14.1400
B903F064128	8	x	16	7.8600	7.8900	16.1100	16.1400
B903F068076	8 1/2	x	9 1/2	8.3600	8.3900	9.6100	9.6400
B903F068080	8 1/2	x	10	8.3600	8.3900	10.1100	10.1400
B903F068084	8 1/2	x	10 1/2	8.3600	8.3900	10.6100	10.6400
B903F068088	8 1/2	x	11	8.3600	8.3900	11.1100	11.1400
B903F068092	8 1/2	x	11 1/2	8.3600	8.3900	11.6100	11.6400
B903F068096	8 1/2	x	12	8.3600	8.3900	12.1100	12.1400
B903F068100	8 1/2	x	12 1/2	8.3600	8.3900	12.6100	12.6400
B903F068104	8 1/2	x	13	8.3600	8.3900	13.1100	13.1400
B903F068108	8 1/2	x	13 1/2	8.3600	8.3900	13.6100	13.6400
B903F068112	8 1/2	x	14	8.3600	8.3900	14.1100	14.1400
B903F072080	9	x	10	8.8600	8.8900	10.1100	10.1400



C90300 (SAE 620) Centrifugal Cast Bronze Cored Bars

PART NUMBER	NOMINAL SIZES			I.D. Min.	I.D. Max.	O.D. Min.	O.D. Max.
	I.D.		O.D.				
B903F072084	9	x	10 1/2	8.8600	8.8900	10.6100	10.6400
B903F072088	9	x	11	8.8600	8.8900	11.1100	11.1400
B903F072092	9	x	11 1/2	8.8600	8.8900	11.6100	11.6400
B903F072096	9	x	12	8.8600	8.8900	12.1100	12.1400
B903F072100	9	x	12 1/2	8.8600	8.8900	12.6100	12.6400
B903F072104	9	x	13	8.8600	8.8900	13.1100	13.1400
B903F072108	9	x	13 1/2	8.8600	8.8900	13.6100	13.6400
B903F072112	9	x	14	8.8600	8.8900	14.1100	14.1400
B903F076084	9 1/2	x	10 1/2	9.3600	9.3900	10.6100	10.6400
B903F076088	9 1/2	x	11	9.3600	9.3900	11.1100	11.1400
B903F076092	9 1/2	x	11 1/2	9.3600	9.3900	11.6100	11.6400
B903F076096	9 1/2	x	12	9.3600	9.3900	12.1100	12.1400
B903F076100	9 1/2	x	12 1/2	9.3600	9.3900	12.6100	12.6400
B903F076104	9 1/2	x	13	9.3600	9.3900	13.1100	13.1400
B903F076108	9 1/2	x	13 1/2	9.3600	9.3900	13.6100	13.6400
B903F076112	9 1/2	x	14	9.3600	9.3900	14.1100	14.1400
B903F080088	10	x	11	9.8600	9.8900	11.1100	11.1400
B903F080092	10	x	11 1/2	9.8600	9.8900	11.6100	11.6400
B903F080096	10	x	12	9.8600	9.8900	12.1100	12.1400
B903F080100	10	x	12 1/2	9.8600	9.8900	12.6100	12.6400
B903F080104	10	x	13	9.8600	9.8900	13.1100	13.1400
B903F080108	10	x	13 1/2	9.8600	9.8900	13.6100	13.6400
B903F080112	10	x	14	9.8600	9.8900	14.1100	14.1400
B903F080128	10	x	16	9.8600	9.8900	16.1100	16.1400
B903F080144	10	x	18	9.8600	9.8900	18.1100	18.1400
B903F084092	10 1/2	x	11 1/2	10.3600	10.3900	11.6100	11.6400
B903F084096	10 1/2	x	12	10.3600	10.3900	12.1100	12.1400
B903F084100	10 1/2	x	12 1/2	10.3600	10.3900	12.6100	12.6400
B903F084104	10 1/2	x	13	10.3600	10.3900	13.1100	13.1400
B903F084108	10 1/2	x	13 1/2	10.3600	10.3900	13.6100	13.6400
B903F084112	10 1/2	x	14	10.3600	10.3900	14.1100	14.1400
B903F084116	10 1/2	x	14 1/2	10.3600	10.3900	14.6100	14.6400
B903F084120	10 1/2	x	15	10.3600	10.3900	15.1100	15.1400
B903F088096	11	x	12	10.8600	10.8900	12.1100	12.1400
B903F088100	11	x	12 1/2	10.8600	10.8900	12.6100	12.6400
B903F088104	11	x	13	10.8600	10.8900	13.1100	13.1400
B903F088108	11	x	13 1/2	10.8600	10.8900	13.6100	13.6400
B903F088112	11	x	14	10.8600	10.8900	14.1100	14.1400
B903F088116	11	x	14 1/2	10.8600	10.8900	14.6100	14.6400
B903F088120	11	x	15	10.8600	10.8900	15.1100	15.1400
B903F092100	11 1/2	x	12 1/2	11.3600	11.3900	12.6100	12.6400
B903F092104	11 1/2	x	13	11.3600	11.3900	13.1100	13.1400
B903F092108	11 1/2	x	13 1/2	11.3600	11.3900	13.6100	13.6400
B903F092112	11 1/2	x	14	11.3600	11.3900	14.1100	14.1400
B903F092116	11 1/2	x	14 1/2	11.3600	11.3900	14.6100	14.6400
B903F092120	11 1/2	x	15	11.3600	11.3900	15.1100	15.1400
B903F096104	12	x	13	11.8600	11.8900	13.1100	13.1400
B903F096108	12	x	13 1/2	11.8600	11.8900	13.6100	13.6400
B903F096112	12	x	14	11.8600	11.8900	14.1100	14.1400
B903F096116	12	x	14 1/2	11.8600	11.8900	14.6100	14.6400
B903F096120	12	x	15	11.8600	11.8900	15.1100	15.1400



C90300 (SAE 620) Centrifugal Cast Bronze Cored Bars

PART NUMBER	NOMINAL SIZES			I.D. Min.	I.D. Max.	O.D. Min.	O.D. Max.
	I.D.		O.D.				
B903F096124	12	x	15 1/2	11.8600	11.8900	15.6100	15.6400
B903F096128	12	x	16	11.8600	11.8900	16.1100	16.1400
B903F096144	12	x	18	11.8600	11.8900	18.1100	18.1400
B903F100108	12 1/2	x	13 1/2	12.3600	12.3900	13.6100	13.6400
B903F100112	12 1/2	x	14	12.3600	12.3900	14.1100	14.1400
B903F100116	12 1/2	x	14 1/2	12.3600	12.3900	14.6100	14.6400
B903F100120	12 1/2	x	15	12.3600	12.3900	15.1100	15.1400
B903F100124	12 1/2	x	15 1/2	12.3600	12.3900	15.6100	15.6400
B903F100128	12 1/2	x	16	12.3600	12.3900	16.1100	16.1400
B903F104112	13	x	14	12.8600	12.8900	14.1100	14.1400
B903F104116	13	x	14 1/2	12.8600	12.8900	14.6100	14.6400
B903F104120	13	x	15	12.8600	12.8900	15.1100	15.1400
B903F104124	13	x	15 1/2	12.8600	12.8900	15.6100	15.6400
B903F104128	13	x	16	12.8600	12.8900	16.1100	16.1400
B903F108116	13 1/2	x	14 1/2	13.3600	13.3900	14.6100	14.6400
B903F108120	13 1/2	x	15	13.3600	13.3900	15.1100	15.1400
B903F108124	13 1/2	x	15 1/2	13.3600	13.3900	15.6100	15.6400
B903F108128	13 1/2	x	16	13.3600	13.3900	16.1100	16.1400
B903F108132	13 1/2	x	16 1/2	13.3600	13.3900	16.6100	16.6400
B903F108136	13 1/2	x	17	13.3600	13.3900	17.1100	17.1400
B903F112120	14	x	15	13.8600	13.8900	15.1100	15.1400
B903F112124	14	x	15 1/2	13.8600	13.8900	15.6100	15.6400
B903F112128	14	x	16	13.8600	13.8900	16.1100	16.1400
B903F112132	14	x	16 1/2	13.8600	13.8900	16.6100	16.6400
B903F112136	14	x	17	13.8600	13.8900	17.1100	17.1400
B903F112144	14	x	18	13.8600	13.8900	18.1100	18.1400
B903F116124	14 1/2	x	15 1/2	14.3600	14.3900	15.6100	15.6400
B903F116128	14 1/2	x	16	14.3600	14.3900	16.1100	16.1400
B903F116132	14 1/2	x	16 1/2	14.3600	14.3900	16.6100	16.6400
B903F116136	14 1/2	x	17	14.3600	14.3900	17.1100	17.1400
B903F120128	15	x	16	14.8600	14.8900	16.1100	16.1400
B903F120132	15	x	16 1/2	14.8600	14.8900	16.6100	16.6400
B903F120136	15	x	17	14.8600	14.8900	17.1100	17.1400
B903F120140	15	x	17 1/2	14.8600	14.8900	17.6100	17.6400
B903F120144	15	x	18	14.8600	14.8900	18.1100	18.1400
B903F120148	15	x	18 1/2	14.8600	14.8900	18.6100	18.6400
B903F124132	15 1/2	x	16 1/2	15.3600	15.3900	16.6100	16.6400
B903F124136	15 1/2	x	17	15.3600	15.3900	17.1100	17.1400
B903F124140	15 1/2	x	17 1/2	15.3600	15.3900	17.6100	17.6400
B903F124144	15 1/2	x	18	15.3600	15.3900	18.1100	18.1400
B903F124148	15 1/2	x	18 1/2	15.3600	15.3900	18.6100	18.6400
B903F128136	16	x	17	15.8600	15.8900	17.1100	17.1400
B903F128140	16	x	17 1/2	15.8600	15.8900	17.6100	17.6400
B903F128144	16	x	18	15.8600	15.8900	18.1100	18.1400
B903F128148	16	x	18 1/2	15.8600	15.8900	18.6100	18.6400
B903F128152	16	x	19	15.8600	15.8900	19.1100	19.1400
B903F132140	16 1/2	x	17 1/2	16.3600	16.3900	17.6100	17.6400
B903F132144	16 1/2	x	18	16.3600	16.3900	18.1100	18.1400
B903F132148	16 1/2	x	18 1/2	16.3600	16.3900	18.6100	18.6400
B903F132152	16 1/2	x	19	16.3600	16.3900	19.1100	19.1400
B903F132156	16 1/2	x	19 1/2	16.3600	16.3900	19.6100	19.6400



C90300 (SAE 620) Centrifugal Cast Bronze Cored Bars

PART NUMBER	NOMINAL SIZES		I.D. Min.	I.D. Max.	O.D. Min.	O.D. Max.
	I.D.	O.D.				
B903F136144	17	x 18	16.8600	16.8900	18.1100	18.1400
B903F136148	17	x 18 1/2	16.8600	16.8900	18.6100	18.6400
B903F136152	17	x 19	16.8600	16.8900	19.1100	19.1400
B903F136156	17	x 19 1/2	16.8600	16.8900	19.6100	19.6400
B903F140148	17 1/2	x 18 1/2	17.3600	17.3900	18.6100	18.6400
B903F140152	17 1/2	x 19	17.3600	17.3900	19.1100	19.1400
B903F140156	17 1/2	x 19 1/2	17.3600	17.3900	19.6100	19.6400
B903F140160	17 1/2	x 20	17.3600	17.3900	20.1100	20.1400
B903F144152	18	x 19	17.8600	17.8900	19.1100	19.1400
B903F144156	18	x 19 1/2	17.8600	17.8900	19.6100	19.6400
B903F144160	18	x 20	17.8600	17.8900	20.1100	20.1400
B903F148156	18 1/2	x 19 1/2	18.3600	18.3900	19.6100	19.6400
B903F148160	18 1/2	x 20	18.3600	18.3900	20.1100	20.1400
B903F152160	19	x 20	18.8600	18.8900	20.1100	20.1400

Bunting C90700 Continuous Cast Solid and Centrifugal Cast Bronze Bar

C90700 is a "GREEN" non-leaded alloy
Tin Bronze

CDA 907

SAE 65

89-11

ASTM B505

ASTM B271

Bunting continuous cast bronze bars of C90700 give superior quality and performance. Continuous casting achieves a high density grain structure, free of porosity, resulting in a reduction of tool wear and component rejects.

Solid bars are stocked in 13" increments and 105" lengths, and are available in other lengths and non-standard sizes. Consider bars for use when you need special bearings, bearings for prototypes, or for emergency repairs.

Centrifugal cast large diameter cored bars are also available in 13" lengths as well as made to order sizes and lengths.

Typical Properties: (Not to be used for specification purposes.)

Copper.....	88.00 – 90.00%
Tin.....	10.00 – 12.00%
Lead.....	0.50% max.
Zinc.....	0.50% max.

Physical Properties:

Continuous Cast

Centrifugal Cast

Tensile Strength, PSI.....	40,000 min.	50,000 min.
Yield Strength, PSI.....	25,000 min.	28,000 min.
Elongation.....	10% min.	12% min.
Brinell Hardness (500 kg load).....		100 typical
Machinability Rating.....		20
Minimum Operating Temperature.....		-450°F
Maximum Operating Temperature.....		+550°F

C90700 is used for bearings and gears where higher strength and load-carrying ability is required. C90700 has good wear resistance but should be used with hardened steel shafts (300-400 HB). Due to the lack of lead, this material requires constant lubrication, generally grease.



C90700 (SAE 65) Continuous Cast Bronze Solid Bars

PART NUMBER	NOMINAL SIZES			O.D. Min.	O.D. Max.
	I.D.		O.D.		
B907S000008	SOLID	x	1	1.0310	1.0410
B907S000012*	SOLID	x	1 1/2	1.5310	1.5410
B907S000016	SOLID	x	2	2.0340	2.0440
B907S000020*	SOLID	x	2 1/2	2.5340	2.5440
B907S000024	SOLID	x	3	3.0340	3.0440
B907S000028*	SOLID	x	3 1/2	3.5340	3.5440
B907S000032	SOLID	x	4	4.0550	4.0710
B907S000036*	SOLID	x	4 1/2	4.5550	4.5710
B907S000040	SOLID	x	5	5.0550	5.0710
B907S000048	SOLID	x	6	6.0780	6.1100
B907S000064	SOLID	x	8	8.0780	8.1100
B907S000080	SOLID	x	10	10.0940	10.1340

*When current inventory is depleted, these sizes will be supplied on special order basis only. Minimum order quantities may apply.

C90700 (SAE 65) Centrifugal Cast Bronze Cored Bars

PART NUMBER	NOMINAL SIZES			I.D. Min.	I.D. Max.	O.D. Min.	O.D. Max.
	I.D.		O.D.				
B907F040072	5	x	9	4.8600	4.8900	9.1100	9.1400
B907F040080	5	x	10	4.8600	4.8900	10.1100	10.1400
B907F040084	5	x	10 1/2	4.8600	4.8900	10.6100	10.6400
B907F040088	5	x	11	4.8600	4.8900	11.1100	11.1400
B907F040092	5	x	11 1/2	4.8600	4.8900	11.6100	11.6400
B907F040096	5	x	12	4.8600	4.8900	12.1100	12.1400
B907F040100	5	x	12 1/2	4.8600	4.8900	12.6100	12.6400
B907F044080	5 1/2	x	10	5.3600	5.3900	10.1100	10.1400
B907F044084	5 1/2	x	10 1/2	5.3600	5.3900	10.6100	10.6400
B907F044088	5 1/2	x	11	5.3600	5.3900	11.1100	11.1400
B907F044092	5 1/2	x	11 1/2	5.3600	5.3900	11.6100	11.6400
B907F044096	5 1/2	x	12	5.3600	5.3900	12.1100	12.1400
B907F044100	5 1/2	x	12 1/2	5.3600	5.3900	12.6100	12.6400
B907F048068	6	x	8 1/2	5.8600	5.8900	8.6100	8.6400
B907F048072	6	x	9	5.8600	5.8900	9.1100	9.1400
B907F048080	6	x	10	5.8600	5.8900	10.1100	10.1400
B907F048084	6	x	10 1/2	5.8600	5.8900	10.6100	10.6400
B907F048088	6	x	11	5.8600	5.8900	11.1100	11.1400
B907F048092	6	x	11 1/2	5.8600	5.8900	11.6100	11.6400
B907F048096	6	x	12	5.8600	5.8900	12.1100	12.1400
B907F048100	6	x	12 1/2	5.8600	5.8900	12.6100	12.6400
B907F048104	6	x	13	5.8600	5.8900	13.1100	13.1400



C90700 (SAE 65) Centrifugal Cast Bronze Cored Bars

PART NUMBER	NOMINAL SIZES			I.D. Min.	I.D. Max.	O.D. Min.	O.D. Max.
	I.D.		O.D.				
B907F048112	6	x	14	5.8600	5.8900	14.1100	14.1400
B907F052068	6 1/2	x	8 1/2	6.3600	6.3900	8.6100	8.6400
B907F052076	6 1/2	x	9 1/2	6.3600	6.3900	9.6100	9.6400
B907F052080	6 1/2	x	10	6.3600	6.3900	10.1100	10.1400
B907F052084	6 1/2	x	10 1/2	6.3600	6.3900	10.6100	10.6400
B907F052088	6 1/2	x	11	6.3600	6.3900	11.1100	11.1400
B907F052092	6 1/2	x	11 1/2	6.3600	6.3900	11.6100	11.6400
B907F052096	6 1/2	x	12	6.3600	6.3900	12.1100	12.1400
B907F052100	6 1/2	x	12 1/2	6.3600	6.3900	12.6100	12.6400
B907F052104	6 1/2	x	13	6.3600	6.3900	13.1100	13.1400
B907F056068	7	x	8 1/2	6.8600	6.8900	8.6100	8.6400
B907F056072	7	x	9	6.8600	6.8900	9.1100	9.1400
B907F056076	7	x	9 1/2	6.8600	6.8900	9.6100	9.6400
B907F056080	7	x	10	6.8600	6.8900	10.1100	10.1400
B907F056084	7	x	10 1/2	6.8600	6.8900	10.6100	10.6400
B907F056088	7	x	11	6.8600	6.8900	11.1100	11.1400
B907F056092	7	x	11 1/2	6.8600	6.8900	11.6100	11.6400
B907F056096	7	x	12	6.8600	6.8900	12.1100	12.1400
B907F056100	7	x	12 1/2	6.8600	6.8900	12.6100	12.6400
B907F056104	7	x	13	6.8600	6.8900	13.1100	13.1400
B907F056112	7	x	14	6.8600	6.8900	14.1100	14.1400
B907F060068	7 1/2	x	8 1/2	7.3600	7.3900	8.6100	8.6400
B907F060076	7 1/2	x	9 1/2	7.3600	7.3900	9.6100	9.6400
B907F060080	7 1/2	x	10	7.3600	7.3900	10.1100	10.1400
B907F060084	7 1/2	x	10 1/2	7.3600	7.3900	10.6100	10.6400
B907F060088	7 1/2	x	11	7.3600	7.3900	11.1100	11.1400
B907F060092	7 1/2	x	11 1/2	7.3600	7.3900	11.6100	11.6400
B907F060096	7 1/2	x	12	7.3600	7.3900	12.1100	12.1400
B907F060100	7 1/2	x	12 1/2	7.3600	7.3900	12.6100	12.6400
B907F060104	7 1/2	x	13	7.3600	7.3900	13.1100	13.1400
B907F060108	7 1/2	x	13 1/2	7.3600	7.3900	13.6100	13.6400
B907F064072	8	x	9	7.8600	7.8900	9.1100	9.1400
B907F064076	8	x	9 1/2	7.8600	7.8900	9.6100	9.6400
B907F064080	8	x	10	7.8600	7.8900	10.1100	10.1400
B907F064084	8	x	10 1/2	7.8600	7.8900	10.6100	10.6400
B907F064088	8	x	11	7.8600	7.8900	11.1100	11.1400
B907F064092	8	x	11 1/2	7.8600	7.8900	11.6100	11.6400
B907F064096	8	x	12	7.8600	7.8900	12.1100	12.1400
B907F064100	8	x	12 1/2	7.8600	7.8900	12.6100	12.6400
B907F064104	8	x	13	7.8600	7.8900	13.1100	13.1400
B907F064108	8	x	13 1/2	7.8600	7.8900	13.6100	13.6400
B907F064112	8	x	14	7.8600	7.8900	14.1100	14.1400
B907F064128	8	x	16	7.8600	7.8900	16.1100	16.1400
B907F068076	8 1/2	x	9 1/2	8.3600	8.3900	9.6100	9.6400
B907F068080	8 1/2	x	10	8.3600	8.3900	10.1100	10.1400
B907F068084	8 1/2	x	10 1/2	8.3600	8.3900	10.6100	10.6400
B907F068088	8 1/2	x	11	8.3600	8.3900	11.1100	11.1400
B907F068092	8 1/2	x	11 1/2	8.3600	8.3900	11.6100	11.6400
B907F068096	8 1/2	x	12	8.3600	8.3900	12.1100	12.1400
B907F068100	8 1/2	x	12 1/2	8.3600	8.3900	12.6100	12.6400
B907F068104	8 1/2	x	13	8.3600	8.3900	13.1100	13.1400



C90700 (SAE 65) Centrifugal Cast Bronze Cored Bars

PART NUMBER	NOMINAL SIZES			I.D. Min.	I.D. Max.	O.D. Min.	O.D. Max.
	I.D.		O.D.				
B907F068108	8 1/2	x	13 1/2	8.3600	8.3900	13.6100	13.6400
B907F068112	8 1/2	x	14	8.3600	8.3900	14.1100	14.1400
B907F072080	9	x	10	8.8600	8.8900	10.1100	10.1400
B907F072084	9	x	10 1/2	8.8600	8.8900	10.6100	10.6400
B907F072088	9	x	11	8.8600	8.8900	11.1100	11.1400
B907F072092	9	x	11 1/2	8.8600	8.8900	11.6100	11.6400
B907F072096	9	x	12	8.8600	8.8900	12.1100	12.1400
B907F072100	9	x	12 1/2	8.8600	8.8900	12.6100	12.6400
B907F072104	9	x	13	8.8600	8.8900	13.1100	13.1400
B907F072108	9	x	13 1/2	8.8600	8.8900	13.6100	13.6400
B907F072112	9	x	14	8.8600	8.8900	14.1100	14.1400
B907F076084	9 1/2	x	10 1/2	9.3600	9.3900	10.6100	10.6400
B907F076088	9 1/2	x	11	9.3600	9.3900	11.1100	11.1400
B907F076092	9 1/2	x	11 1/2	9.3600	9.3900	11.6100	11.6400
B907F076096	9 1/2	x	12	9.3600	9.3900	12.1100	12.1400
B907F076100	9 1/2	x	12 1/2	9.3600	9.3900	12.6100	12.6400
B907F076104	9 1/2	x	13	9.3600	9.3900	13.1100	13.1400
B907F076108	9 1/2	x	13 1/2	9.3600	9.3900	13.6100	13.6400
B907F076112	9 1/2	x	14	9.3600	9.3900	14.1100	14.1400
B907F080088	10	x	11	9.8600	9.8900	11.1100	11.1400
B907F080092	10	x	11 1/2	9.8600	9.8900	11.6100	11.6400
B907F080096	10	x	12	9.8600	9.8900	12.1100	12.1400
B907F080100	10	x	12 1/2	9.8600	9.8900	12.6100	12.6400
B907F080104	10	x	13	9.8600	9.8900	13.1100	13.1400
B907F080108	10	x	13 1/2	9.8600	9.8900	13.6100	13.6400
B907F080112	10	x	14	9.8600	9.8900	14.1100	14.1400
B907F080128	10	x	16	9.8600	9.8900	16.1100	16.1400
B907F080144	10	x	18	9.8600	9.8900	18.1100	18.1400
B907F084092	10 1/2	x	11 1/2	10.3600	10.3900	11.6100	11.6400
B907F084096	10 1/2	x	12	10.3600	10.3900	12.1100	12.1400
B907F084100	10 1/2	x	12 1/2	10.3600	10.3900	12.6100	12.6400
B907F084104	10 1/2	x	13	10.3600	10.3900	13.1100	13.1400
B907F084108	10 1/2	x	13 1/2	10.3600	10.3900	13.6100	13.6400
B907F084112	10 1/2	x	14	10.3600	10.3900	14.1100	14.1400
B907F084116	10 1/2	x	14 1/2	10.3600	10.3900	14.6100	14.6400
B907F084120	10 1/2	x	15	10.3600	10.3900	15.1100	15.1400
B907F088096	11	x	12	10.8600	10.8900	12.1100	12.1400
B907F088100	11	x	12 1/2	10.8600	10.8900	12.6100	12.6400
B907F088104	11	x	13	10.8600	10.8900	13.1100	13.1400
B907F088108	11	x	13 1/2	10.8600	10.8900	13.6100	13.6400
B907F088112	11	x	14	10.8600	10.8900	14.1100	14.1400
B907F088116	11	x	14 1/2	10.8600	10.8900	14.6100	14.6400
B907F088120	11	x	15	10.8600	10.8900	15.1100	15.1400
B907F092100	11 1/2	x	12 1/2	11.3600	11.3900	12.6100	12.6400
B907F092104	11 1/2	x	13	11.3600	11.3900	13.1100	13.1400
B907F092108	11 1/2	x	13 1/2	11.3600	11.3900	13.6100	13.6400
B907F092112	11 1/2	x	14	11.3600	11.3900	14.1100	14.1400
B907F092116	11 1/2	x	14 1/2	11.3600	11.3900	14.6100	14.6400
B907F092120	11 1/2	x	15	11.3600	11.3900	15.1100	15.1400
B907F096104	12	x	13	11.8600	11.8900	13.1100	13.1400
B907F096108	12	x	13 1/2	11.8600	11.8900	13.6100	13.6400



C90700 (SAE 65) Centrifugal Cast Bronze Cored Bars

PART NUMBER	NOMINAL SIZES		I.D. Min.	I.D. Max.	O.D. Min.	O.D. Max.
	I.D.	O.D.				
B907F096112	12	x 14	11.8600	11.8900	14.1100	14.1400
B907F096116	12	x 14 1/2	11.8600	11.8900	14.6100	14.6400
B907F096120	12	x 15	11.8600	11.8900	15.1100	15.1400
B907F096124	12	x 15 1/2	11.8600	11.8900	15.6100	15.6400
B907F096128	12	x 16	11.8600	11.8900	16.1100	16.1400
B907F096144	12	x 18	11.8600	11.8900	18.1100	18.1400
B907F100108	12 1/2	x 13 1/2	12.3600	12.3900	13.6100	13.6400
B907F100112	12 1/2	x 14	12.3600	12.3900	14.1100	14.1400
B907F100116	12 1/2	x 14 1/2	12.3600	12.3900	14.6100	14.6400
B907F100120	12 1/2	x 15	12.3600	12.3900	15.1100	15.1400
B907F100124	12 1/2	x 15 1/2	12.3600	12.3900	15.6100	15.6400
B907F100128	12 1/2	x 16	12.3600	12.3900	16.1100	16.1400
B907F104112	13	x 14	12.8600	12.8900	14.1100	14.1400
B907F104116	13	x 14 1/2	12.8600	12.8900	14.6100	14.6400
B907F104120	13	x 15	12.8600	12.8900	15.1100	15.1400
B907F104124	13	x 15 1/2	12.8600	12.8900	15.6100	15.6400
B907F104128	13	x 16	12.8600	12.8900	16.1100	16.1400
B907F108116	13 1/2	x 14 1/2	13.3600	13.3900	14.6100	14.6400
B907F108120	13 1/2	x 15	13.3600	13.3900	15.1100	15.1400
B907F108124	13 1/2	x 15 1/2	13.3600	13.3900	15.6100	15.6400
B907F108128	13 1/2	x 16	13.3600	13.3900	16.1100	16.1400
B907F108132	13 1/2	x 16 1/2	13.3600	13.3900	16.6100	16.6400
B907F108136	13 1/2	x 17	13.3600	13.3900	17.1100	17.1400
B907F112120	14	x 15	13.8600	13.8900	15.1100	15.1400
B907F112124	14	x 15 1/2	13.8600	13.8900	15.6100	15.6400
B907F112128	14	x 16	13.8600	13.8900	16.1100	16.1400
B907F112132	14	x 16 1/2	13.8600	13.8900	16.6100	16.6400
B907F112136	14	x 17	13.8600	13.8900	17.1100	17.1400
B907F112144	14	x 18	13.8600	13.8900	18.1100	18.1400
B907F116124	14 1/2	x 15 1/2	14.3600	14.3900	15.6100	15.6400
B907F116128	14 1/2	x 16	14.3600	14.3900	16.1100	16.1400
B907F116132	14 1/2	x 16 1/2	14.3600	14.3900	16.6100	16.6400
B907F116136	14 1/2	x 17	14.3600	14.3900	17.1100	17.1400
B907F120128	15	x 16	14.8600	14.8900	16.1100	16.1400
B907F120132	15	x 16 1/2	14.8600	14.8900	16.6100	16.6400
B907F120136	15	x 17	14.8600	14.8900	17.1100	17.1400
B907F120140	15	x 17 1/2	14.8600	14.8900	17.6100	17.6400
B907F120144	15	x 18	14.8600	14.8900	18.1100	18.1400
B907F120148	15	x 18 1/2	14.8600	14.8900	18.6100	18.6400
B907F124132	15 1/2	x 16 1/2	15.3600	15.3900	16.6100	16.6400
B907F124136	15 1/2	x 17	15.3600	15.3900	17.1100	17.1400
B907F124140	15 1/2	x 17 1/2	15.3600	15.3900	17.6100	17.6400
B907F124144	15 1/2	x 18	15.3600	15.3900	18.1100	18.1400
B907F124148	15 1/2	x 18 1/2	15.3600	15.3900	18.6100	18.6400
B907F128136	16	x 17	15.8600	15.8900	17.1100	17.1400
B907F128140	16	x 17 1/2	15.8600	15.8900	17.6100	17.6400
B907F128144	16	x 18	15.8600	15.8900	18.1100	18.1400
B907F128148	16	x 18 1/2	15.8600	15.8900	18.6100	18.6400
B907F128152	16	x 19	15.8600	15.8900	19.1100	19.1400
B907F132140	16 1/2	x 17 1/2	16.3600	16.3900	17.6100	17.6400
B907F132144	16 1/2	x 18	16.3600	16.3900	18.1100	18.1400



C90700 (SAE 65) Centrifugal Cast Bronze Cored Bars

PART NUMBER	NOMINAL SIZES			I.D. Min.	I.D. Max.	O.D. Min.	O.D. Max.
	I.D.		O.D.				
B907F132148	16 1/2	x	18 1/2	16.3600	16.3900	18.6100	18.6400
B907F132152	16 1/2	x	19	16.3600	16.3900	19.1100	19.1400
B907F132156	16 1/2	x	19 1/2	16.3600	16.3900	19.6100	19.6400
B907F136144	17	x	18	16.8600	16.8900	18.1100	18.1400
B907F136148	17	x	18 1/2	16.8600	16.8900	18.6100	18.6400
B907F136152	17	x	19	16.8600	16.8900	19.1100	19.1400
B907F136156	17	x	19 1/2	16.8600	16.8900	19.6100	19.6400
B907F140148	17 1/2	x	18 1/2	17.3600	17.3900	18.6100	18.6400
B907F140152	17 1/2	x	19	17.3600	17.3900	19.1100	19.1400
B907F140156	17 1/2	x	19 1/2	17.3600	17.3900	19.6100	19.6400
B907F140160	17 1/2	x	20	17.3600	17.3900	20.1100	20.1400
B907F144152	18	x	19	17.8600	17.8900	19.1100	19.1400
B907F144156	18	x	19 1/2	17.8600	17.8900	19.6100	19.6400
B907F144160	18	x	20	17.8600	17.8900	20.1100	20.1400
B907F148156	18 1/2	x	19 1/2	18.3600	18.3900	19.6100	19.6400
B907F148160	18 1/2	x	20	18.3600	18.3900	20.1100	20.1400
B907F152160	19	x	20	18.8600	18.8900	20.1100	20.1400

Bunting C86300 Continuous Cast Solid, Cored and Centrifugal Cast Manganese Bronze Bar

C86300 Manganese Bronze is a non-lead “GREEN” Alloy

Manganese Bronze CDA 863 SAE 430B ASTM B505 ASTM B271

Manganese bronze is a very hard and strong bronze. Good applications include heavy earth moving equipment, roll neck bearings, and machine tool bearings.

Solid and cored bars are stocked in 13" increments and 144" lengths, and are available in other lengths and non-standard sizes. Consider bars for use when you need special bearings, bearings for prototypes, or for emergency repairs.

Centrifugal cast large diameter cored bars are also available in 13" lengths as well as made to order sizes and lengths.

Typical Properties: (Not to be used for specification purposes.)

Copper.....	60.00 – 66.00%
Zinc.....	22.00 – 28.00%
Iron	2.00 – 4.00%
Aluminum.....	5.00 – 7.50%
Manganese.....	2.50 – 5.00%

Physical Properties:	Continuous Cast	Centrifugal Cast
Tensile Strength, PSI	110,000 min.	110,000 min.
Yield Strength, PSI	62,000 min.	60,000 min.
Elongation.....	14% min.	12% min.
Brinell Hardness (3000 kg load)		225 typical
Machinability Rating		80
Minimum Operating Temperature		-450°F
Maximum Operating Temperature		+400°F

C86300 Aluminum bronze is used for low speed, and very high load bearing applications. C86300 requires hardened steel shafts and constant lubrication of grease, graphite or molybdenum-disulfide.

Bunting also produces other Manganese Bronzes including C86200, C86400, C86500 and C86700.



C86300 (SAE 430B) Continuous Cast Manganese Bronze Solid Bars

PART NUMBER	NOMINAL SIZES			O.D. Min.	O.D. Max.
	I.D.		O.D.		
B863S000008	SOLID	x	1	1.0800	1.1000
B863S000012	SOLID	x	1 1/2	1.5800	1.6000
B863S000016	SOLID	x	2	2.0800	2.1000
B863S000020	SOLID	x	2 1/2	2.5800	2.6000
B863S000024	SOLID	x	3	3.0800	3.1000
B863S000028	SOLID	x	3 1/2	3.5950	3.6250
B863S000032	SOLID	x	4	4.0950	4.1250
B863S000036	SOLID	x	4 1/2	4.5950	4.6250
B863S000040	SOLID	x	5	5.1050	5.1450
B863S000048	SOLID	x	6	6.1050	6.1450
B863S000052	SOLID	x	6 1/2	6.6000	6.6500
B863S000056	SOLID	x	7	7.1000	7.1500
B863S000060*	SOLID	x	7 1/2	7.6000	7.6500
B863S000064	SOLID	x	8	8.1000	8.1500

*When current inventory is depleted, these sizes will be supplied on special order basis only. Minimum order quantities may apply.

C86300 (SAE 430B) Continuous Cast Manganese Bronze Cored Bars

PART NUMBER	NOMINAL SIZES			I.D. Min.	I.D. Max.	O.D. Min.	O.D. Max.
	I.D.		O.D.				
B863C008012*	1	x	1 1/2	0.8600	0.9000	1.5800	1.6000
B863C008016	1	x	2	0.8600	0.9000	2.0800	2.1000
B863C008020	1	x	2 1/2	0.8600	0.9000	2.5800	2.6000
B863C008024*	1	x	3	0.8600	0.9000	3.0800	3.1000
B863C008032	1	x	4	0.8600	0.9000	4.0950	4.1250
B863C012016*	1 1/2	x	2	1.3600	1.4000	2.0800	2.1000
B863C012024	1 1/2	x	3	1.3600	1.4000	3.0800	3.1000
B863C016020	2	x	2 1/2	1.8600	1.9000	2.5800	2.6000
B863C016024*	2	x	3	1.8600	1.9000	3.0800	3.1000
B863C016028	2	x	3 1/2	1.8550	1.9050	3.5950	3.6250
B863C016032	2	x	4	1.8550	1.9050	4.0950	4.1250
B863C016040	2	x	5	1.8450	1.9050	5.1050	5.1450
B863C016048	2	x	6	1.8450	1.9050	6.1050	6.1450
B863C020024	2 1/2	x	3	2.3600	2.4000	3.0800	3.1000
B863C020028*	2 1/2	x	3 1/2	2.3550	2.4050	3.5950	3.6250
B863C020036	2 1/2	x	4 1/2	2.3550	2.4050	4.5950	4.6250
B863C024028*	3	x	3 1/2	2.8550	2.9050	3.5950	3.6250
B863C024032	3	x	4	2.8550	2.9050	4.0950	4.1250
B863C024040	3	x	5	2.8450	2.9050	5.1050	5.1450
B863C028034*	3 1/2	x	4 1/4	3.3550	3.4050	4.3450	4.3750
B863C028040*	3 1/2	x	5	3.3450	3.4050	5.1050	5.1450
B863C032036*	4	x	4 1/2	3.8550	3.9050	4.5950	4.6250
B863C032040	4	x	5	3.8450	3.9050	5.1050	5.1450
B863C032048	4	x	6	3.8450	3.9050	6.1050	6.1450
B863C040048*	5	x	6	4.8450	4.9050	6.1050	6.1450

*When current inventory is depleted, these sizes will be supplied on special order basis only. Minimum order quantities may apply.



C86300 (SAE 430B) Centrifugal Cast Manganese Bronze Cored Bars

PART NUMBER	NOMINAL SIZES			I.D. Min.	I.D. Max.	O.D. Min.	O.D. Max.
	I.D.		O.D.				
B863F040072	5	x	9	4.8600	4.8900	9.1100	9.1400
B863F040080	5	x	10	4.8600	4.8900	10.1100	10.1400
B863F040084	5	x	10 1/2	4.8600	4.8900	10.6100	10.6400
B863F040088	5	x	11	4.8600	4.8900	11.1100	11.1400
B863F040092	5	x	11 1/2	4.8600	4.8900	11.6100	11.6400
B863F040096	5	x	12	4.8600	4.8900	12.1100	12.1400
B863F040100	5	x	12 1/2	4.8600	4.8900	12.6100	12.6400
B863F044080	5 1/2	x	10	5.3600	5.3900	10.1100	10.1400
B863F044084	5 1/2	x	10 1/2	5.3600	5.3900	10.6100	10.6400
B863F044088	5 1/2	x	11	5.3600	5.3900	11.1100	11.1400
B863F044092	5 1/2	x	11 1/2	5.3600	5.3900	11.6100	11.6400
B863F044096	5 1/2	x	12	5.3600	5.3900	12.1100	12.1400
B863F044100	5 1/2	x	12 1/2	5.3600	5.3900	12.6100	12.6400
B863F048068	6	x	8 1/2	5.8600	5.8900	8.6100	8.6400
B863F048072	6	x	9	5.8600	5.8900	9.1100	9.1400
B863F048080	6	x	10	5.8600	5.8900	10.1100	10.1400
B863F048084	6	x	10 1/2	5.8600	5.8900	10.6100	10.6400
B863F048088	6	x	11	5.8600	5.8900	11.1100	11.1400
B863F048092	6	x	11 1/2	5.8600	5.8900	11.6100	11.6400
B863F048096	6	x	12	5.8600	5.8900	12.1100	12.1400
B863F048100	6	x	12 1/2	5.8600	5.8900	12.6100	12.6400
B863F048104	6	x	13	5.8600	5.8900	13.1100	13.1400
B863F048112	6	x	14	5.8600	5.8900	14.1100	14.1400
B863F052068	6 1/2	x	8 1/2	6.3600	6.3900	8.6100	8.6400
B863F052076	6 1/2	x	9 1/2	6.3600	6.3900	9.6100	9.6400
B863F052080	6 1/2	x	10	6.3600	6.3900	10.1100	10.1400
B863F052084	6 1/2	x	10 1/2	6.3600	6.3900	10.6100	10.6400
B863F052088	6 1/2	x	11	6.3600	6.3900	11.1100	11.1400
B863F052092	6 1/2	x	11 1/2	6.3600	6.3900	11.6100	11.6400
B863F052096	6 1/2	x	12	6.3600	6.3900	12.1100	12.1400
B863F052100	6 1/2	x	12 1/2	6.3600	6.3900	12.6100	12.6400
B863F052104	6 1/2	x	13	6.3600	6.3900	13.1100	13.1400
B863F056068	7	x	8 1/2	6.8600	6.8900	8.6100	8.6400
B863F056072	7	x	9	6.8600	6.8900	9.1100	9.1400
B863F056076	7	x	9 1/2	6.8600	6.8900	9.6100	9.6400
B863F056080	7	x	10	6.8600	6.8900	10.1100	10.1400
B863F056084	7	x	10 1/2	6.8600	6.8900	10.6100	10.6400
B863F056088	7	x	11	6.8600	6.8900	11.1100	11.1400
B863F056092	7	x	11 1/2	6.8600	6.8900	11.6100	11.6400
B863F056096	7	x	12	6.8600	6.8900	12.1100	12.1400
B863F056100	7	x	12 1/2	6.8600	6.8900	12.6100	12.6400
B863F056104	7	x	13	6.8600	6.8900	13.1100	13.1400
B863F056112	7	x	14	6.8600	6.8900	14.1100	14.1400
B863F060068	7 1/2	x	8 1/2	7.3600	7.3900	8.6100	8.6400
B863F060076	7 1/2	x	9 1/2	7.3600	7.3900	9.6100	9.6400
B863F060080	7 1/2	x	10	7.3600	7.3900	10.1100	10.1400
B863F060084	7 1/2	x	10 1/2	7.3600	7.3900	10.6100	10.6400
B863F060088	7 1/2	x	11	7.3600	7.3900	11.1100	11.1400
B863F060092	7 1/2	x	11 1/2	7.3600	7.3900	11.6100	11.6400
B863F060096	7 1/2	x	12	7.3600	7.3900	12.1100	12.1400
B863F060100	7 1/2	x	12 1/2	7.3600	7.3900	12.6100	12.6400



C86300 (SAE 430B) Centrifugal Cast Manganese Bronze Cored Bars

PART NUMBER	NOMINAL SIZES		I.D. Min.	I.D. Max.	O.D. Min.	O.D. Max.
	I.D.	O.D.				
B863F060104	7 1/2	x 13	7.3600	7.3900	13.1100	13.1400
B863F060108	7 1/2	x 13 1/2	7.3600	7.3900	13.6100	13.6400
B863F064072	8	x 9	7.8600	7.8900	9.1100	9.1400
B863F064076	8	x 9 1/2	7.8600	7.8900	9.6100	9.6400
B863F064080	8	x 10	7.8600	7.8900	10.1100	10.1400
B863F064084	8	x 10 1/2	7.8600	7.8900	10.6100	10.6400
B863F064088	8	x 11	7.8600	7.8900	11.1100	11.1400
B863F064092	8	x 11 1/2	7.8600	7.8900	11.6100	11.6400
B863F064096	8	x 12	7.8600	7.8900	12.1100	12.1400
B863F064100	8	x 12 1/2	7.8600	7.8900	12.6100	12.6400
B863F064104	8	x 13	7.8600	7.8900	13.1100	13.1400
B863F064108	8	x 13 1/2	7.8600	7.8900	13.6100	13.6400
B863F064112	8	x 14	7.8600	7.8900	14.1100	14.1400
B863F064128	8	x 16	7.8600	7.8900	16.1100	16.1400
B863F068076	8 1/2	x 9 1/2	8.3600	8.3900	9.6100	9.6400
B863F068080	8 1/2	x 10	8.3600	8.3900	10.1100	10.1400
B863F068084	8 1/2	x 10 1/2	8.3600	8.3900	10.6100	10.6400
B863F068088	8 1/2	x 11	8.3600	8.3900	11.1100	11.1400
B863F068092	8 1/2	x 11 1/2	8.3600	8.3900	11.6100	11.6400
B863F068096	8 1/2	x 12	8.3600	8.3900	12.1100	12.1400
B863F068100	8 1/2	x 12 1/2	8.3600	8.3900	12.6100	12.6400
B863F068104	8 1/2	x 13	8.3600	8.3900	13.1100	13.1400
B863F068108	8 1/2	x 13 1/2	8.3600	8.3900	13.6100	13.6400
B863F068112	8 1/2	x 14	8.3600	8.3900	14.1100	14.1400
B863F072080	9	x 10	8.8600	8.8900	10.1100	10.1400
B863F072084	9	x 10 1/2	8.8600	8.8900	10.6100	10.6400
B863F072088	9	x 11	8.8600	8.8900	11.1100	11.1400
B863F072092	9	x 11 1/2	8.8600	8.8900	11.6100	11.6400
B863F072096	9	x 12	8.8600	8.8900	12.1100	12.1400
B863F072100	9	x 12 1/2	8.8600	8.8900	12.6100	12.6400
B863F072104	9	x 13	8.8600	8.8900	13.1100	13.1400
B863F072108	9	x 13 1/2	8.8600	8.8900	13.6100	13.6400
B863F072112	9	x 14	8.8600	8.8900	14.1100	14.1400
B863F076084	9 1/2	x 10 1/2	9.3600	9.3900	10.6100	10.6400
B863F076088	9 1/2	x 11	9.3600	9.3900	11.1100	11.1400
B863F076092	9 1/2	x 11 1/2	9.3600	9.3900	11.6100	11.6400
B863F076096	9 1/2	x 12	9.3600	9.3900	12.1100	12.1400
B863F076100	9 1/2	x 12 1/2	9.3600	9.3900	12.6100	12.6400
B863F076104	9 1/2	x 13	9.3600	9.3900	13.1100	13.1400
B863F076108	9 1/2	x 13 1/2	9.3600	9.3900	13.6100	13.6400
B863F076112	9 1/2	x 14	9.3600	9.3900	14.1100	14.1400
B863F080088	10	x 11	9.8600	9.8900	11.1100	11.1400
B863F080092	10	x 11 1/2	9.8600	9.8900	11.6100	11.6400
B863F080096	10	x 12	9.8600	9.8900	12.1100	12.1400
B863F080100	10	x 12 1/2	9.8600	9.8900	12.6100	12.6400
B863F080104	10	x 13	9.8600	9.8900	13.1100	13.1400
B863F080108	10	x 13 1/2	9.8600	9.8900	13.6100	13.6400
B863F080112	10	x 14	9.8600	9.8900	14.1100	14.1400
B863F080128	10	x 16	9.8600	9.8900	16.1100	16.1400
B863F080144	10	x 18	9.8600	9.8900	18.1100	18.1400
B863F084092	10 1/2	x 11 1/2	10.3600	10.3900	11.6100	11.6400



C86300 (SAE 430B) Centrifugal Cast Manganese Bronze Cored Bars

PART NUMBER	NOMINAL SIZES		I.D. Min.	I.D. Max.	O.D. Min.	O.D. Max.
	I.D.	O.D.				
B863F084096	10 1/2	x 12	10.3600	10.3900	12.1100	12.1400
B863F084100	10 1/2	x 12 1/2	10.3600	10.3900	12.6100	12.6400
B863F084104	10 1/2	x 13	10.3600	10.3900	13.1100	13.1400
B863F084108	10 1/2	x 13 1/2	10.3600	10.3900	13.6100	13.6400
B863F084112	10 1/2	x 14	10.3600	10.3900	14.1100	14.1400
B863F084116	10 1/2	x 14 1/2	10.3600	10.3900	14.6100	14.6400
B863F084120	10 1/2	x 15	10.3600	10.3900	15.1100	15.1400
B863F088096	11	x 12	10.8600	10.8900	12.1100	12.1400
B863F088100	11	x 12 1/2	10.8600	10.8900	12.6100	12.6400
B863F088104	11	x 13	10.8600	10.8900	13.1100	13.1400
B863F088108	11	x 13 1/2	10.8600	10.8900	13.6100	13.6400
B863F088112	11	x 14	10.8600	10.8900	14.1100	14.1400
B863F088116	11	x 14 1/2	10.8600	10.8900	14.6100	14.6400
B863F088120	11	x 15	10.8600	10.8900	15.1100	15.1400
B863F092100	11 1/2	x 12 1/2	11.3600	11.3900	12.6100	12.6400
B863F092104	11 1/2	x 13	11.3600	11.3900	13.1100	13.1400
B863F092108	11 1/2	x 13 1/2	11.3600	11.3900	13.6100	13.6400
B863F092112	11 1/2	x 14	11.3600	11.3900	14.1100	14.1400
B863F092116	11 1/2	x 14 1/2	11.3600	11.3900	14.6100	14.6400
B863F092120	11 1/2	x 15	11.3600	11.3900	15.1100	15.1400
B863F096104	12	x 13	11.8600	11.8900	13.1100	13.1400
B863F096108	12	x 13 1/2	11.8600	11.8900	13.6100	13.6400
B863F096112	12	x 14	11.8600	11.8900	14.1100	14.1400
B863F096116	12	x 14 1/2	11.8600	11.8900	14.6100	14.6400
B863F096120	12	x 15	11.8600	11.8900	15.1100	15.1400
B863F096124	12	x 15 1/2	11.8600	11.8900	15.6100	15.6400
B863F096128	12	x 16	11.8600	11.8900	16.1100	16.1400
B863F096144	12	x 18	11.8600	11.8900	18.1100	18.1400
B863F100108	12 1/2	x 13 1/2	12.3600	12.3900	13.6100	13.6400
B863F100112	12 1/2	x 14	12.3600	12.3900	14.1100	14.1400
B863F100116	12 1/2	x 14 1/2	12.3600	12.3900	14.6100	14.6400
B863F100120	12 1/2	x 15	12.3600	12.3900	15.1100	15.1400
B863F100124	12 1/2	x 15 1/2	12.3600	12.3900	15.6100	15.6400
B863F100128	12 1/2	x 16	12.3600	12.3900	16.1100	16.1400
B863F104112	13	x 14	12.8600	12.8900	14.1100	14.1400
B863F104116	13	x 14 1/2	12.8600	12.8900	14.6100	14.6400
B863F104120	13	x 15	12.8600	12.8900	15.1100	15.1400
B863F104124	13	x 15 1/2	12.8600	12.8900	15.6100	15.6400
B863F104128	13	x 16	12.8600	12.8900	16.1100	16.1400
B863F108116	13 1/2	x 14 1/2	13.3600	13.3900	14.6100	14.6400
B863F108120	13 1/2	x 15	13.3600	13.3900	15.1100	15.1400
B863F108124	13 1/2	x 15 1/2	13.3600	13.3900	15.6100	15.6400
B863F108128	13 1/2	x 16	13.3600	13.3900	16.1100	16.1400
B863F108132	13 1/2	x 16 1/2	13.3600	13.3900	16.6100	16.6400
B863F108136	13 1/2	x 17	13.3600	13.3900	17.1100	17.1400
B863F112120	14	x 15	13.8600	13.8900	15.1100	15.1400
B863F112124	14	x 15 1/2	13.8600	13.8900	15.6100	15.6400
B863F112128	14	x 16	13.8600	13.8900	16.1100	16.1400
B863F112132	14	x 16 1/2	13.8600	13.8900	16.6100	16.6400
B863F112136	14	x 17	13.8600	13.8900	17.1100	17.1400
B863F112144	14	x 18	13.8600	13.8900	18.1100	18.1400



C86300 (SAE 430B) Centrifugal Cast Manganese Bronze Cored Bars

PART NUMBER	NOMINAL SIZES		I.D. Min.	I.D. Max.	O.D. Min.	O.D. Max.
	I.D.	O.D.				
B863F116124	14 1/2	x 15 1/2	14.3600	14.3900	15.6100	15.6400
B863F116128	14 1/2	x 16	14.3600	14.3900	16.1100	16.1400
B863F116132	14 1/2	x 16 1/2	14.3600	14.3900	16.6100	16.6400
B863F116136	14 1/2	x 17	14.3600	14.3900	17.1100	17.1400
B863F120128	15	x 16	14.8600	14.8900	16.1100	16.1400
B863F120132	15	x 16 1/2	14.8600	14.8900	16.6100	16.6400
B863F120136	15	x 17	14.8600	14.8900	17.1100	17.1400
B863F120140	15	x 17 1/2	14.8600	14.8900	17.6100	17.6400
B863F120144	15	x 18	14.8600	14.8900	18.1100	18.1400
B863F120148	15	x 18 1/2	14.8600	14.8900	18.6100	18.6400
B863F124132	15 1/2	x 16 1/2	15.3600	15.3900	16.6100	16.6400
B863F124136	15 1/2	x 17	15.3600	15.3900	17.1100	17.1400
B863F124140	15 1/2	x 17 1/2	15.3600	15.3900	17.6100	17.6400
B863F124144	15 1/2	x 18	15.3600	15.3900	18.1100	18.1400
B863F124148	15 1/2	x 18 1/2	15.3600	15.3900	18.6100	18.6400
B863F128136	16	x 17	15.8600	15.8900	17.1100	17.1400
B863F128140	16	x 17 1/2	15.8600	15.8900	17.6100	17.6400
B863F128144	16	x 18	15.8600	15.8900	18.1100	18.1400
B863F128148	16	x 18 1/2	15.8600	15.8900	18.6100	18.6400
B863F128152	16	x 19	15.8600	15.8900	19.1100	19.1400
B863F132140	16 1/2	x 17 1/2	16.3600	16.3900	17.6100	17.6400
B863F132144	16 1/2	x 18	16.3600	16.3900	18.1100	18.1400
B863F132148	16 1/2	x 18 1/2	16.3600	16.3900	18.6100	18.6400
B863F132152	16 1/2	x 19	16.3600	16.3900	19.1100	19.1400
B863F132156	16 1/2	x 19 1/2	16.3600	16.3900	19.6100	19.6400
B863F136144	17	x 18	16.8600	16.8900	18.1100	18.1400
B863F136148	17	x 18 1/2	16.8600	16.8900	18.6100	18.6400
B863F136152	17	x 19	16.8600	16.8900	19.1100	19.1400
B863F136156	17	x 19 1/2	16.8600	16.8900	19.6100	19.6400
B863F140148	17 1/2	x 18 1/2	17.3600	17.3900	18.6100	18.6400
B863F140152	17 1/2	x 19	17.3600	17.3900	19.1100	19.1400
B863F140156	17 1/2	x 19 1/2	17.3600	17.3900	19.6100	19.6400
B863F140160	17 1/2	x 20	17.3600	17.3900	20.1100	20.1400
B863F144152	18	x 19	17.8600	17.8900	19.1100	19.1400
B863F144156	18	x 19 1/2	17.8600	17.8900	19.6100	19.6400
B863F144160	18	x 20	17.8600	17.8900	20.1100	20.1400
B863F148156	18 1/2	x 19 1/2	18.3600	18.3900	19.6100	19.6400
B863F148160	18 1/2	x 20	18.3600	18.3900	20.1100	20.1400
B863F152160	19	x 20	18.8600	18.8900	20.1100	20.1400

Bunting C95400 Continuous Cast Solid, Cored, Wearplate and Centrifugal Cast Aluminum Bronze Bar

C95400 Aluminum Bronze is a non-lead "GREEN" Alloy
Aluminum Bronze

CDA 954

9C

ASTM B505

ASTM B271

Aluminum bronze is a very hard, strong, abrasion resistant bronze whose physical properties remain good at elevated temperatures – compressive strength at 500°F is the same as that of tin bronzes at room temperature. Good applications include heavy earth moving equipment, roll neck bearings, and machine tool bearings.

Solid and cored bars are stocked in 13" increments and 144" lengths, and are available in other lengths and non-standard sizes. Solid and cored bars over 8" O.D. are stocked in 105" lengths. Consider bars for use when you need special bearings, bearings for prototypes, or for emergency repairs.

Wearplate is stocked in 13" increments or 144" lengths, and is available in other lengths and non-standard sizes.

Centrifugal cast large diameter cored bars are also available in 13" lengths as well as made to order sizes and lengths.

C95400 is available in either as cast condition or heat-treated.

Typical Properties: (Not to be used for specification purposes.)

Copper.....	83.00% min.
Aluminum.....	10.00 – 11.50%
Iron	3.00 – 5.00%

Physical Properties:

Continuous Cast

Centrifugal Cast

	As Cast	As Cast
Tensile Strength, PSI.....	85,000 min.	75,000 min.
Yield Strength, PSI	32,000 min.	30,000 min.
Elongation.....	12% min.	12% min.

	Heat Treated	Heat Treated
Tensile Strength, PSI.....	95,000 min.	90,000 min.
Yield Strength, PSI	45,000 min.	45,000 min.
Elongation.....	10% min.	6% min.

Brinell Hardness (3000 kg load; As Cast).....	170
Brinell Hardness (3000 kg load; Heat Treated)	195
Machinability Rating	60
Minimum Operating Temperature	-450°F
Maximum Operating Temperature	+750°F intermittent to +1200°F

C95400 Aluminum bronze is used for low speed, and very high load bearing applications. C95400 requires hardened steel shafts and constant lubrication of grease, graphite or molybdenum-disulfide.



C95400 Continuous Cast Aluminum Bronze Solid Bars

PART NUMBER	NOMINAL SIZES		O.D. Min.	O.D. Max.
	I.D.	O.D.		
B954S000004	SOLID	x 1/2	0.5550	0.5750
B954S000006	SOLID	x 3/4	0.8050	0.8250
B954S000008	SOLID	x 1	1.0550	1.0750
B954S000010	SOLID	x 1 1/4	1.3050	1.3250
B954S000012	SOLID	x 1 1/2	1.5550	1.5750
B954S000013	SOLID	x 1 5/8	1.6800	1.7000
B954S000014	SOLID	x 1 3/4	1.8050	1.8250
B954S000016	SOLID	x 2	2.0550	2.0750
B954S000018	SOLID	x 2 1/4	2.3050	2.3250
B954S000020	SOLID	x 2 1/2	2.5550	2.5750
B954S000022	SOLID	x 2 3/4	2.8050	2.8250
B954S000024	SOLID	x 3	3.0550	3.0750
B954S000026	SOLID	x 3 1/4	3.3250	3.3550
B954S000028	SOLID	x 3 1/2	3.5750	3.6050
B954S000030	SOLID	x 3 3/4	3.8250	3.8550
B954S000032	SOLID	x 4	4.0750	4.1050
B954S000034	SOLID	x 4 1/4	4.3250	4.3550
B954S000036	SOLID	x 4 1/2	4.5750	4.6050
B954S000040	SOLID	x 5	5.1050	5.1450
B954S000042	SOLID	x 5 1/4	5.3550	5.3950
B954S000044	SOLID	x 5 1/2	5.6050	5.6450
B954S000046*	SOLID	x 5 3/4	5.8550	5.8950
B954S000048	SOLID	x 6	6.1050	6.1450
B954S000050*	SOLID	x 6 1/4	6.3500	6.4000
B954S000052	SOLID	x 6 1/2	6.6000	6.6500
B954S000056	SOLID	x 7	7.1000	7.1500
B954S000064	SOLID	x 8	8.1000	8.1500
B954S000072	SOLID	x 9	9.1630	9.2130
B954S000080	SOLID	x 10	10.1630	10.2130
B954S000096	SOLID	x 12	12.1630	12.2130

*When current inventory is depleted, these sizes will be supplied on special order basis only. Minimum order quantities may apply.



C95400 Continuous Cast Aluminum Bronze Cored Bars

PART NUMBER	NOMINAL SIZES			I.D. Min.	I.D. Max.	O.D. Min.	O.D. Max.
	I.D.		O.D.				
B954C006010	3/4	x	1 1/4	0.6550	0.6950	1.3050	1.3250
B954C006012*	3/4	x	1 1/2	0.6550	0.6950	1.5550	1.5750
B954C006014	3/4	x	1 3/4	0.6550	0.6950	1.8050	1.8250
B954C006016*	3/4	x	2	0.6550	0.6950	2.0550	2.0750
B954C008012	1	x	1 1/2	0.9050	0.9450	1.5550	1.5750
B954C008014	1	x	1 3/4	0.9050	0.9450	1.8050	1.8250
B954C008016	1	x	2	0.9050	0.9450	2.0550	2.0750
B954C008018	1	x	2 1/4	0.9050	0.9450	2.3050	2.3250
B954C008020	1	x	2 1/2	0.9050	0.9450	2.5550	2.5750
B954C008024	1	x	3	0.9050	0.9450	3.0550	3.0750
B954C010014	1 1/4	x	1 3/4	1.1550	1.1950	1.8050	1.8250
B954C010016	1 1/4	x	2	1.1550	1.1950	2.0550	2.0750
B954C010018*	1 1/4	x	2 1/4	1.1550	1.1950	2.3050	2.3250
B954C010020	1 1/4	x	2 1/2	1.1550	1.1950	2.5550	2.5750
B954C010024*	1 1/4	x	3	1.1550	1.1950	3.0550	3.0750
B954C010028*	1 1/4	x	3 1/2	1.1250	1.1750	3.5750	3.6050
B954C012016	1 1/2	x	2	1.4050	1.4450	2.0550	2.0750
B954C012018	1 1/2	x	2 1/4	1.4050	1.4450	2.3050	2.3250
B954C012020	1 1/2	x	2 1/2	1.4050	1.4450	2.5550	2.5750
B954C012022	1 1/2	x	2 3/4	1.4050	1.4450	2.8050	2.8250
B954C012024	1 1/2	x	3	1.4050	1.4450	3.0550	3.0750
B954C012026	1 1/2	x	3 1/4	1.3750	1.4250	3.3250	3.3550
B954C012028	1 1/2	x	3 1/2	1.3750	1.4250	3.5750	3.6050
B954C012032	1 1/2	x	4	1.3750	1.4250	4.0750	4.1050
B954C012036*	1 1/2	x	4 1/2	1.3750	1.4250	4.5750	4.6050
B954C014018	1 3/4	x	2 1/4	1.6550	1.6950	2.3050	2.3250
B954C014020	1 3/4	x	2 1/2	1.6550	1.6950	2.5550	2.5750
B954C014022	1 3/4	x	2 3/4	1.6550	1.6950	2.8050	2.8250
B954C014024	1 3/4	x	3	1.6550	1.6950	3.0550	3.0750
B954C014026*	1 3/4	x	3 1/4	1.6250	1.6750	3.3250	3.3550
B954C014028*	1 3/4	x	3 1/2	1.6250	1.6750	3.5750	3.6050
B954C014030*	1 3/4	x	3 3/4	1.6250	1.6750	3.8250	3.8550
B954C016019*	2	x	2 3/8	1.9050	1.9450	2.4300	2.4500
B954C016020	2	x	2 1/2	1.9050	1.9450	2.5550	2.5750
B954C016022	2	x	2 3/4	1.9050	1.9450	2.8050	2.8250
B954C016024	2	x	3	1.9050	1.9450	3.0550	3.0750
B954C016026*	2	x	3 1/4	1.8750	1.9250	3.3250	3.3550
B954C016028	2	x	3 1/2	1.8750	1.9250	3.5750	3.6050
B954C016030	2	x	3 3/4	1.8750	1.9250	3.8250	3.8550
B954C016032	2	x	4	1.8750	1.9250	4.0750	4.1050
B954C016036	2	x	4 1/2	1.8750	1.9250	4.5750	4.6050
B954C016040	2	x	5	1.8450	1.9050	5.1050	5.1450
B954C016048	2	x	6	1.8450	1.9050	6.1050	6.1450
B954C018021*	2 1/4	x	2 5/8	2.1550	2.1950	2.6800	2.7000
B954C018022	2 1/4	x	2 3/4	2.1550	2.1950	2.8050	2.8250
B954C018024	2 1/4	x	3	2.1550	2.1950	3.0550	3.0750
B954C018026	2 1/4	x	3 1/4	2.1250	2.1750	3.3250	3.3550
B954C018028	2 1/4	x	3 1/2	2.1250	2.1750	3.5750	3.6050
B954C020024	2 1/2	x	3	2.4050	2.4450	3.0550	3.0750
B954C020026	2 1/2	x	3 1/4	2.3750	2.4250	3.3250	3.3550
B954C020028	2 1/2	x	3 1/2	2.3750	2.4250	3.5750	3.6050

*When current inventory is depleted, these sizes will be supplied on special order basis only. Minimum order quantities may apply.



C95400 Continuous Cast Aluminum Bronze Cored Bars

PART NUMBER	NOMINAL SIZES			I.D. Min.	I.D. Max.	O.D. Min.	O.D. Max.
	I.D.		O.D.				
B954C020030	2 1/2	x	3 3/4	2.3750	2.4250	3.8250	3.8550
B954C020032	2 1/2	x	4	2.3750	2.4250	4.0750	4.1050
B954C020036	2 1/2	x	4 1/2	2.3750	2.4250	4.5750	4.6050
B954C020040	2 1/2	x	5	2.3450	2.4050	5.1050	5.1450
B954C020048*	2 1/2	x	6	2.3450	2.4050	6.1050	6.1450
B954C022026	2 3/4	x	3 1/4	2.6250	2.6750	3.3250	3.3550
B954C022028	2 3/4	x	3 1/2	2.6250	2.6750	3.5750	3.6050
B954C022030	2 3/4	x	3 3/4	2.6250	2.6750	3.8250	3.8550
B954C022032*	2 3/4	x	4	2.6250	2.6750	4.0750	4.1050
B954C022034*	2 3/4	x	4 1/4	2.6250	2.6750	4.3250	4.3550
B954C022036*	2 3/4	x	4 1/2	2.6250	2.6750	4.5750	4.6050
B954C024028	3	x	3 1/2	2.8750	2.9250	3.5750	3.6050
B954C024030	3	x	3 3/4	2.8750	2.9250	3.8250	3.8550
B954C024032	3	x	4	2.8750	2.9250	4.0750	4.1050
B954C024034	3	x	4 1/4	2.8750	2.9250	4.3250	4.3550
B954C024036	3	x	4 1/2	2.8750	2.9250	4.5750	4.6050
B954C024040	3	x	5	2.8450	2.9050	5.1050	5.1450
B954C024044	3	x	5 1/2	2.8450	2.9050	5.6050	5.6450
B954C024048	3	x	6	2.8450	2.9050	6.1050	6.1450
B954C024056	3	x	7	2.8100	2.8800	7.1000	7.1500
B954C026032*	3 1/4	x	4	3.1250	3.1750	4.0750	4.1050
B954C026034*	3 1/4	x	4 1/4	3.1250	3.1750	4.3250	4.3550
B954C026036*	3 1/4	x	4 1/2	3.1250	3.1750	4.5750	4.6050
B954C026040*	3 1/4	x	5	3.0950	3.1550	5.1050	5.1450
B954C028032	3 1/2	x	4	3.3750	3.4250	4.0750	4.1050
B954C028034	3 1/2	x	4 1/4	3.3750	3.4250	4.3250	4.3550
B954C028036	3 1/2	x	4 1/2	3.3750	3.4250	4.5750	4.6050
B954C028040	3 1/2	x	5	3.3450	3.4050	5.1050	5.1450
B954C028044	3 1/2	x	5 1/2	3.3450	3.4050	5.6050	5.6450
B954C028048*	3 1/2	x	6	3.3450	3.4050	6.1050	6.1450
B954C030038*	3 3/4	x	4 3/4	3.5950	3.6550	4.8550	4.8950
B954C032036*	4	x	4 1/2	3.8750	3.9250	4.5750	4.6050
B954C032038	4	x	4 3/4	3.8450	3.9050	4.8550	4.8950
B954C032040	4	x	5	3.8450	3.9050	5.1050	5.1450
B954C032044	4	x	5 1/2	3.8450	3.9050	5.6050	5.6450
B954C032048	4	x	6	3.8450	3.9050	6.1050	6.1450
B954C032056	4	x	7	3.8100	3.8800	7.1000	7.1500
B954C032064	4	x	8	3.8100	3.8800	8.1000	8.1500
B954C034040*	4 1/4	x	5	4.0950	4.1550	5.1050	5.1450
B954C036040*	4 1/2	x	5	4.3450	4.4050	5.1050	5.1450
B954C036042*	4 1/2	x	5 1/4	4.3450	4.4050	5.3550	5.3950
B954C036044	4 1/2	x	5 1/2	4.3450	4.4050	5.6050	5.6450
B954C036048	4 1/2	x	6	4.3450	4.4050	6.1050	6.1450
B954C036052	4 1/2	x	6 1/2	4.3100	4.3800	6.6000	6.6500
B954C036060*	4 1/2	x	7 1/2	4.3100	4.3800	7.6000	7.6500
B954C040044*	5	x	5 1/2	4.8450	4.9050	5.6050	5.6450
B954C040048	5	x	6	4.8450	4.9050	6.1050	6.1450
B954C040056	5	x	7	4.8100	4.8800	7.1000	7.1500
B954C040064	5	x	8	4.8100	4.8800	8.1000	8.1500
B954C044052	5 1/2	x	6 1/2	5.3100	5.3800	6.6000	6.6500
B954C048056	6	x	7	5.8100	5.8800	7.1000	7.1500

*When current inventory is depleted, these sizes will be supplied on special order basis only. Minimum order quantities may apply.



C95400 Continuous Cast Aluminum Bronze Cored Bars

PART NUMBER	NOMINAL SIZES			I.D. Min.	I.D. Max.	O.D. Min.	O.D. Max.
	I.D.		O.D.				
B954C048064	6	x	8	5.8100	5.8800	8.1000	8.1500
B954C048072*	6	x	9	5.7850	5.8650	9.1630	9.2130
B954C052060	6 1/2	x	7 1/2	6.3100	6.3800	7.6000	7.6500
B954C056064	7	x	8	6.8100	6.8800	8.1000	8.1500
B954C056072	7	x	9	6.7850	6.8650	9.1630	9.2130
B954C056080*	7	x	10	6.7850	6.8650	10.1630	10.2130
B954C060076*	7 1/2	x	9 1/2	7.2850	7.3650	9.6630	9.7130
B954C064072*	8	x	9	7.7850	7.8650	9.1630	9.2130
B954C064080	8	x	10	7.7850	7.8650	10.1630	10.2130
B954C064088*	8	x	11	7.7850	7.8650	11.1630	11.2130
B954C064096	8	x	12	7.7850	7.8650	12.1630	12.2130
B954C068084*	8 1/2	x	10 1/2	8.2850	8.3650	10.6630	10.7130
B954C072088	9	x	11	8.7850	8.8650	11.1630	11.2130
B954C072096	9	x	12	8.7850	8.8650	12.1630	12.2130
B954C080096	10	x	12	9.7850	9.8650	12.1630	12.2130

*When current inventory is depleted, these sizes will be supplied on special order basis only. Minimum order quantities may apply.



C95400 Continuous Cast Aluminum Bronze Wearplate

PART NUMBER	NOMINAL SIZES			THICKNESS		WIDTH	
	THICKNESS		WIDTH	Min.	Max.	Min.	Max.
B954W002008	1/4	x	1	0.320	0.360	1.070	1.110
B954W002010	1/4	x	1 1/4	0.320	0.360	1.320	1.360
B954W002012	1/4	x	1 1/2	0.320	0.360	1.570	1.610
B954W002016	1/4	x	2	0.320	0.360	2.070	2.110
B954W002020	1/4	x	2 1/2	0.320	0.360	2.570	2.610
B954W002024	1/4	x	3	0.320	0.360	3.070	3.110
B954W002032	1/4	x	4	0.320	0.360	4.070	4.110
B954W002040	1/4	x	5	0.355	0.395	5.105	5.145
B954W002048	1/4	x	6	0.355	0.395	6.105	6.145
B954W002064	1/4	x	8	0.355	0.395	8.105	8.145
B954W002080	1/4	x	10	0.355	0.395	10.105	10.145
B954W002096	1/4	x	12	0.355	0.395	12.105	12.145
B954W003008	3/8	x	1	0.445	0.485	1.070	1.110
B954W003012	3/8	x	1 1/2	0.445	0.485	1.570	1.610
B954W003016	3/8	x	2	0.445	0.485	2.070	2.110
B954W003020	3/8	x	2 1/2	0.445	0.485	2.570	2.610
B954W003024	3/8	x	3	0.445	0.485	3.070	3.110
B954W003028	3/8	x	3 1/2	0.445	0.485	3.570	3.610
B954W003032	3/8	x	4	0.445	0.485	4.070	4.110
B954W003040	3/8	x	5	0.480	0.520	5.105	5.145
B954W003048	3/8	x	6	0.480	0.520	6.105	6.145
B954W003064	3/8	x	8	0.480	0.520	8.105	8.145
B954W003080	3/8	x	10	0.480	0.520	10.105	10.145
B954W003096	3/8	x	12	0.480	0.520	12.105	12.145
B954W004008	1/2	x	1	0.570	0.610	1.070	1.110
B954W004010	1/2	x	1 1/4	0.570	0.610	1.320	1.360
B954W004012	1/2	x	1 1/2	0.570	0.610	1.570	1.610
B954W004014	1/2	x	1 3/4	0.570	0.610	1.820	1.860
B954W004016	1/2	x	2	0.570	0.610	2.070	2.110
B954W004020	1/2	x	2 1/2	0.570	0.610	2.570	2.610
B954W004024	1/2	x	3	0.570	0.610	3.070	3.110
B954W004028	1/2	x	3 1/2	0.570	0.610	3.570	3.610
B954W004032	1/2	x	4	0.570	0.610	4.070	4.110
B954W004040	1/2	x	5	0.605	0.645	5.105	5.145
B954W004048	1/2	x	6	0.605	0.645	6.105	6.145
B954W004064	1/2	x	8	0.605	0.645	8.105	8.145
B954W004080	1/2	x	10	0.605	0.645	10.105	10.145
B954W004096	1/2	x	12	0.605	0.645	12.105	12.145
B954W005008	5/8	x	1	0.695	0.735	1.070	1.110
B954W005012	5/8	x	1 1/2	0.695	0.735	1.570	1.610
B954W005016	5/8	x	2	0.695	0.735	2.070	2.110
B954W005020	5/8	x	2 1/2	0.695	0.735	2.570	2.610
B954W005024	5/8	x	3	0.695	0.735	3.070	3.110
B954W005032	5/8	x	4	0.695	0.735	4.070	4.110
B954W005040	5/8	x	5	0.730	0.770	5.105	5.145
B954W005048	5/8	x	6	0.730	0.770	6.105	6.145
B954W005064	5/8	x	8	0.730	0.770	8.105	8.145
B954W005080	5/8	x	10	0.730	0.770	10.105	10.145
B954W005096	5/8	x	12	0.730	0.770	12.105	12.145
B954W006006	3/4	x	3/4	0.820	0.860	0.820	0.860
B954W006008	3/4	x	1	0.820	0.860	1.070	1.110



C95400 Continuous Cast Aluminum Bronze Wearplate

PART NUMBER	NOMINAL SIZES			THICKNESS		WIDTH	
	THICKNESS		WIDTH	Min.	Max.	Min.	Max.
B954W006012	3/4	x	1 1/2	0.820	0.860	1.570	1.610
B954W006016	3/4	x	2	0.820	0.860	2.070	2.110
B954W006020	3/4	x	2 1/2	0.820	0.860	2.570	2.610
B954W006024	3/4	x	3	0.820	0.860	3.070	3.110
B954W006028	3/4	x	3 1/2	0.820	0.860	3.570	3.610
B954W006032	3/4	x	4	0.820	0.860	4.070	4.110
B954W006040	3/4	x	5	0.855	0.895	5.105	5.145
B954W006048	3/4	x	6	0.855	0.895	6.105	6.145
B954W006064	3/4	x	8	0.855	0.895	8.105	8.145
B954W006080	3/4	x	10	0.855	0.895	10.105	10.145
B954W006096	3/4	x	12	0.855	0.895	12.105	12.145
B954W008008	1	x	1	1.070	1.110	1.070	1.110
B954W008010	1	x	1 1/4	1.070	1.110	1.320	1.360
B954W008012	1	x	1 1/2	1.070	1.110	1.570	1.610
B954W008014	1	x	1 3/4	1.070	1.110	1.820	1.860
B954W008016	1	x	2	0.820	0.860	2.070	2.110
B954W008020	1	x	2 1/2	0.820	0.860	2.570	2.610
B954W008024	1	x	3	1.070	1.110	3.070	3.110
B954W008028	1	x	3 1/2	1.070	1.110	3.570	3.610
B954W008032	1	x	4	1.070	1.110	4.070	4.110
B954W008040	1	x	5	1.105	1.145	5.105	5.145
B954W008048	1	x	6	1.105	1.145	6.105	6.145
B954W008064	1	x	8	1.105	1.145	8.105	8.145
B954W008080	1	x	10	1.105	1.145	10.105	10.145
B954W008096	1	x	12	1.105	1.145	12.105	12.145
B954W010010	1 1/4	x	1 1/4	1.320	1.360	1.320	1.360
B954W010012	1 1/4	x	1 1/2	1.320	1.360	1.570	1.610
B954W010014	1 1/4	x	1 3/4	1.320	1.360	1.820	1.860
B954W010016	1 1/4	x	2	1.320	1.360	2.070	2.110
B954W010020	1 1/4	x	2 1/2	1.320	1.360	2.570	2.610
B954W010024	1 1/4	x	3	1.320	1.360	3.070	3.110
B954W010028	1 1/4	x	3 1/2	1.320	1.360	3.570	3.610
B954W010032	1 1/4	x	4	1.320	1.360	4.070	4.110
B954W010040	1 1/4	x	5	1.355	1.395	5.105	5.145
B954W010048	1 1/4	x	6	1.355	1.395	6.105	6.145
B954W010064	1 1/4	x	8	1.355	1.395	8.105	8.145
B954W010080	1 1/4	x	10	1.355	1.395	10.105	10.145
B954W010096	1 1/4	x	12	1.355	1.395	12.105	12.145
B954W011024	1 3/8	x	3	1.445	1.485	3.070	3.110
B954W012012	1 1/2	x	1 1/2	1.570	1.610	1.570	1.610
B954W012014	1 1/2	x	1 3/4	1.570	1.610	1.820	1.860
B954W012016	1 1/2	x	2	1.570	1.610	2.070	2.110
B954W012020	1 1/2	x	2 1/2	1.570	1.610	2.570	2.610
B954W012024	1 1/2	x	3	1.570	1.610	3.070	3.110
B954W012028	1 1/2	x	3 1/2	1.570	1.610	3.570	3.610
B954W012032	1 1/2	x	4	1.570	1.610	4.070	4.110
B954W012040	1 1/2	x	5	1.605	1.645	5.105	5.145
B954W012048	1 1/2	x	6	1.605	1.645	6.105	6.145
B954W012064	1 1/2	x	8	1.605	1.645	8.105	8.145
B954W012080	1 1/2	x	10	1.605	1.645	10.105	10.145
B954W012096	1 1/2	x	12	1.605	1.645	12.105	12.145



C95400 Continuous Cast Aluminum Bronze Wearplate

PART NUMBER	NOMINAL SIZES			THICKNESS		WIDTH	
	THICKNESS		WIDTH	Min.	Max.	Min.	Max.
B954W014016	1 3/4	x	2	1.820	1.860	2.070	2.110
B954W014020	1 3/4	x	2 1/2	1.820	1.860	2.570	2.610
B954W014024	1 3/4	x	3	1.820	1.860	3.070	3.110
B954W014032	1 3/4	x	4	1.820	1.860	4.070	4.110
B954W014040	1 3/4	x	5	1.855	1.895	5.105	5.145
B954W014048	1 3/4	x	6	1.855	1.895	6.105	6.145
B954W014064	1 3/4	x	8	1.855	1.895	8.105	8.145
B954W014080	1 3/4	x	10	1.855	1.895	10.105	10.145
B954W014096	1 3/4	x	12	1.855	1.895	12.105	12.145
B954W016016	2	x	2	2.070	2.110	2.070	2.110
B954W016020	2	x	2 1/2	2.070	2.110	2.570	2.610
B954W016024	2	x	3	2.070	2.110	3.070	3.110
B954W016028	2	x	3 1/2	2.070	2.110	3.570	3.610
B954W016032	2	x	4	2.070	2.110	4.070	4.110
B954W016040	2	x	5	2.105	2.145	5.105	5.145
B954W016048	2	x	6	2.105	2.145	6.105	6.145
B954W016064	2	x	8	2.105	2.145	8.105	8.145
B954W016080	2	x	10	2.105	2.145	10.105	10.145
B954W016096	2	x	12	2.105	2.145	12.105	12.145
B954W020020	2 1/2	x	2 1/2	2.570	2.610	2.570	2.610
B954W020024	2 1/2	x	3	2.570	2.610	3.070	3.110
B954W020032	2 1/2	x	4	2.570	2.610	4.070	4.110
B954W020040	2 1/2	x	5	2.605	2.645	5.105	5.145
B954W020048	2 1/2	x	6	2.605	2.645	6.105	6.145
B954W020064	2 1/2	x	8	2.605	2.645	8.105	8.145
B954W020080	2 1/2	x	10	2.605	2.645	10.105	10.145
B954W020096	2 1/2	x	12	2.605	2.645	12.105	12.145
B954W024024	3	x	3	3.070	3.110	3.070	3.110
B954W024032	3	x	4	3.070	3.110	4.070	4.110
B954W024048	3	x	6	3.105	3.145	6.105	6.145
B954W024064	3	x	8	3.105	3.145	8.105	8.145
B954W024080	3	x	10	3.105	3.145	10.105	10.145
B954W024096	3	x	12	3.105	3.145	12.105	12.145



C95400 Centrifugal Cast Aluminum Bronze Cored Bars

PART NUMBER	NOMINAL SIZES			I.D. Min.	I.D. Max.	O.D. Min.	O.D. Max.
	I.D.		O.D.				
B954F040072	5	x	9	4.8600	4.8900	9.1100	9.1400
B954F040080	5	x	10	4.8600	4.8900	10.1100	10.1400
B954F040084	5	x	10 1/2	4.8600	4.8900	10.6100	10.6400
B954F040088	5	x	11	4.8600	4.8900	11.1100	11.1400
B954F040092	5	x	11 1/2	4.8600	4.8900	11.6100	11.6400
B954F040096	5	x	12	4.8600	4.8900	12.1100	12.1400
B954F040100	5	x	12 1/2	4.8600	4.8900	12.6100	12.6400
B954F044080	5 1/2	x	10	5.3600	5.3900	10.1100	10.1400
B954F044084	5 1/2	x	10 1/2	5.3600	5.3900	10.6100	10.6400
B954F044088	5 1/2	x	11	5.3600	5.3900	11.1100	11.1400
B954F044092	5 1/2	x	11 1/2	5.3600	5.3900	11.6100	11.6400
B954F044096	5 1/2	x	12	5.3600	5.3900	12.1100	12.1400
B954F044100	5 1/2	x	12 1/2	5.3600	5.3900	12.6100	12.6400
B954F048068	6	x	8 1/2	5.8600	5.8900	8.6100	8.6400
B954F048072	6	x	9	5.8600	5.8900	9.1100	9.1400
B954F048080	6	x	10	5.8600	5.8900	10.1100	10.1400
B954F048084	6	x	10 1/2	5.8600	5.8900	10.6100	10.6400
B954F048088	6	x	11	5.8600	5.8900	11.1100	11.1400
B954F048092	6	x	11 1/2	5.8600	5.8900	11.6100	11.6400
B954F048096	6	x	12	5.8600	5.8900	12.1100	12.1400
B954F048100	6	x	12 1/2	5.8600	5.8900	12.6100	12.6400
B954F048104	6	x	13	5.8600	5.8900	13.1100	13.1400
B954F048112	6	x	14	5.8600	5.8900	14.1100	14.1400
B954F052068	6 1/2	x	8 1/2	6.3600	6.3900	8.6100	8.6400
B954F052076	6 1/2	x	9 1/2	6.3600	6.3900	9.6100	9.6400
B954F052080	6 1/2	x	10	6.3600	6.3900	10.1100	10.1400
B954F052084	6 1/2	x	10 1/2	6.3600	6.3900	10.6100	10.6400
B954F052088	6 1/2	x	11	6.3600	6.3900	11.1100	11.1400
B954F052092	6 1/2	x	11 1/2	6.3600	6.3900	11.6100	11.6400
B954F052096	6 1/2	x	12	6.3600	6.3900	12.1100	12.1400
B954F052100	6 1/2	x	12 1/2	6.3600	6.3900	12.6100	12.6400
B954F052104	6 1/2	x	13	6.3600	6.3900	13.1100	13.1400
B954F056068	7	x	8 1/2	6.8600	6.8900	8.6100	8.6400
B954F056072	7	x	9	6.8600	6.8900	9.1100	9.1400
B954F056076	7	x	9 1/2	6.8600	6.8900	9.6100	9.6400
B954F056080	7	x	10	6.8600	6.8900	10.1100	10.1400
B954F056084	7	x	10 1/2	6.8600	6.8900	10.6100	10.6400
B954F056088	7	x	11	6.8600	6.8900	11.1100	11.1400
B954F056092	7	x	11 1/2	6.8600	6.8900	11.6100	11.6400
B954F056096	7	x	12	6.8600	6.8900	12.1100	12.1400
B954F056100	7	x	12 1/2	6.8600	6.8900	12.6100	12.6400
B954F056104	7	x	13	6.8600	6.8900	13.1100	13.1400
B954F056112	7	x	14	6.8600	6.8900	14.1100	14.1400
B954F060068	7 1/2	x	8 1/2	7.3600	7.3900	8.6100	8.6400
B954F060076	7 1/2	x	9 1/2	7.3600	7.3900	9.6100	9.6400
B954F060080	7 1/2	x	10	7.3600	7.3900	10.1100	10.1400
B954F060084	7 1/2	x	10 1/2	7.3600	7.3900	10.6100	10.6400
B954F060088	7 1/2	x	11	7.3600	7.3900	11.1100	11.1400
B954F060092	7 1/2	x	11 1/2	7.3600	7.3900	11.6100	11.6400
B954F060096	7 1/2	x	12	7.3600	7.3900	12.1100	12.1400
B954F060100	7 1/2	x	12 1/2	7.3600	7.3900	12.6100	12.6400



C95400 Centrifugal Cast Aluminum Bronze Cored Bars

PART NUMBER	NOMINAL SIZES			I.D. Min.	I.D. Max.	O.D. Min.	O.D. Max.
	I.D.	x	O.D.				
B954F060104	7 1/2	x	13	7.3600	7.3900	13.1100	13.1400
B954F060108	7 1/2	x	13 1/2	7.3600	7.3900	13.6100	13.6400
B954F064072	8	x	9	7.8600	7.8900	9.1100	9.1400
B954F064076	8	x	9 1/2	7.8600	7.8900	9.6100	9.6400
B954F064080	8	x	10	7.8600	7.8900	10.1100	10.1400
B954F064084	8	x	10 1/2	7.8600	7.8900	10.6100	10.6400
B954F064088	8	x	11	7.8600	7.8900	11.1100	11.1400
B954F064092	8	x	11 1/2	7.8600	7.8900	11.6100	11.6400
B954F064096	8	x	12	7.8600	7.8900	12.1100	12.1400
B954F064100	8	x	12 1/2	7.8600	7.8900	12.6100	12.6400
B954F064104	8	x	13	7.8600	7.8900	13.1100	13.1400
B954F064108	8	x	13 1/2	7.8600	7.8900	13.6100	13.6400
B954F064112	8	x	14	7.8600	7.8900	14.1100	14.1400
B954F064128	8	x	16	7.8600	7.8900	16.1100	16.1400
B954F068076	8 1/2	x	9 1/2	8.3600	8.3900	9.6100	9.6400
B954F068080	8 1/2	x	10	8.3600	8.3900	10.1100	10.1400
B954F068084	8 1/2	x	10 1/2	8.3600	8.3900	10.6100	10.6400
B954F068088	8 1/2	x	11	8.3600	8.3900	11.1100	11.1400
B954F068092	8 1/2	x	11 1/2	8.3600	8.3900	11.6100	11.6400
B954F068096	8 1/2	x	12	8.3600	8.3900	12.1100	12.1400
B954F068100	8 1/2	x	12 1/2	8.3600	8.3900	12.6100	12.6400
B954F068104	8 1/2	x	13	8.3600	8.3900	13.1100	13.1400
B954F068108	8 1/2	x	13 1/2	8.3600	8.3900	13.6100	13.6400
B954F068112	8 1/2	x	14	8.3600	8.3900	14.1100	14.1400
B954F072080	9	x	10	8.8600	8.8900	10.1100	10.1400
B954F072084	9	x	10 1/2	8.8600	8.8900	10.6100	10.6400
B954F072088	9	x	11	8.8600	8.8900	11.1100	11.1400
B954F072092	9	x	11 1/2	8.8600	8.8900	11.6100	11.6400
B954F072096	9	x	12	8.8600	8.8900	12.1100	12.1400
B954F072100	9	x	12 1/2	8.8600	8.8900	12.6100	12.6400
B954F072104	9	x	13	8.8600	8.8900	13.1100	13.1400
B954F072108	9	x	13 1/2	8.8600	8.8900	13.6100	13.6400
B954F072112	9	x	14	8.8600	8.8900	14.1100	14.1400
B954F076084	9 1/2	x	10 1/2	9.3600	9.3900	10.6100	10.6400
B954F076088	9 1/2	x	11	9.3600	9.3900	11.1100	11.1400
B954F076092	9 1/2	x	11 1/2	9.3600	9.3900	11.6100	11.6400
B954F076096	9 1/2	x	12	9.3600	9.3900	12.1100	12.1400
B954F076100	9 1/2	x	12 1/2	9.3600	9.3900	12.6100	12.6400
B954F076104	9 1/2	x	13	9.3600	9.3900	13.1100	13.1400
B954F076108	9 1/2	x	13 1/2	9.3600	9.3900	13.6100	13.6400
B954F076112	9 1/2	x	14	9.3600	9.3900	14.1100	14.1400
B954F080088	10	x	11	9.8600	9.8900	11.1100	11.1400
B954F080092	10	x	11 1/2	9.8600	9.8900	11.6100	11.6400
B954F080096	10	x	12	9.8600	9.8900	12.1100	12.1400
B954F080100	10	x	12 1/2	9.8600	9.8900	12.6100	12.6400
B954F080104	10	x	13	9.8600	9.8900	13.1100	13.1400
B954F080108	10	x	13 1/2	9.8600	9.8900	13.6100	13.6400
B954F080112	10	x	14	9.8600	9.8900	14.1100	14.1400
B954F080128	10	x	16	9.8600	9.8900	16.1100	16.1400
B954F080144	10	x	18	9.8600	9.8900	18.1100	18.1400
B954F084092	10 1/2	x	11 1/2	10.3600	10.3900	11.6100	11.6400



C95400 Centrifugal Cast Aluminum Bronze Cored Bars

PART NUMBER	NOMINAL SIZES			I.D. Min.	I.D. Max.	O.D. Min.	O.D. Max.
	I.D.	x	O.D.				
B954F084096	10 1/2	x	12	10.3600	10.3900	12.1100	12.1400
B954F084100	10 1/2	x	12 1/2	10.3600	10.3900	12.6100	12.6400
B954F084104	10 1/2	x	13	10.3600	10.3900	13.1100	13.1400
B954F084108	10 1/2	x	13 1/2	10.3600	10.3900	13.6100	13.6400
B954F084112	10 1/2	x	14	10.3600	10.3900	14.1100	14.1400
B954F084116	10 1/2	x	14 1/2	10.3600	10.3900	14.6100	14.6400
B954F084120	10 1/2	x	15	10.3600	10.3900	15.1100	15.1400
B954F088096	11	x	12	10.8600	10.8900	12.1100	12.1400
B954F088100	11	x	12 1/2	10.8600	10.8900	12.6100	12.6400
B954F088104	11	x	13	10.8600	10.8900	13.1100	13.1400
B954F088108	11	x	13 1/2	10.8600	10.8900	13.6100	13.6400
B954F088112	11	x	14	10.8600	10.8900	14.1100	14.1400
B954F088116	11	x	14 1/2	10.8600	10.8900	14.6100	14.6400
B954F088120	11	x	15	10.8600	10.8900	15.1100	15.1400
B954F092100	11 1/2	x	12 1/2	11.3600	11.3900	12.6100	12.6400
B954F092104	11 1/2	x	13	11.3600	11.3900	13.1100	13.1400
B954F092108	11 1/2	x	13 1/2	11.3600	11.3900	13.6100	13.6400
B954F092112	11 1/2	x	14	11.3600	11.3900	14.1100	14.1400
B954F092116	11 1/2	x	14 1/2	11.3600	11.3900	14.6100	14.6400
B954F092120	11 1/2	x	15	11.3600	11.3900	15.1100	15.1400
B954F096104	12	x	13	11.8600	11.8900	13.1100	13.1400
B954F096108	12	x	13 1/2	11.8600	11.8900	13.6100	13.6400
B954F096112	12	x	14	11.8600	11.8900	14.1100	14.1400
B954F096116	12	x	14 1/2	11.8600	11.8900	14.6100	14.6400
B954F096120	12	x	15	11.8600	11.8900	15.1100	15.1400
B954F096124	12	x	15 1/2	11.8600	11.8900	15.6100	15.6400
B954F096128	12	x	16	11.8600	11.8900	16.1100	16.1400
B954F096144	12	x	18	11.8600	11.8900	18.1100	18.1400
B954F100108	12 1/2	x	13 1/2	12.3600	12.3900	13.6100	13.6400
B954F100112	12 1/2	x	14	12.3600	12.3900	14.1100	14.1400
B954F100116	12 1/2	x	14 1/2	12.3600	12.3900	14.6100	14.6400
B954F100120	12 1/2	x	15	12.3600	12.3900	15.1100	15.1400
B954F100124	12 1/2	x	15 1/2	12.3600	12.3900	15.6100	15.6400
B954F100128	12 1/2	x	16	12.3600	12.3900	16.1100	16.1400
B954F104112	13	x	14	12.8600	12.8900	14.1100	14.1400
B954F104116	13	x	14 1/2	12.8600	12.8900	14.6100	14.6400
B954F104120	13	x	15	12.8600	12.8900	15.1100	15.1400
B954F104124	13	x	15 1/2	12.8600	12.8900	15.6100	15.6400
B954F104128	13	x	16	12.8600	12.8900	16.1100	16.1400
B954F108116	13 1/2	x	14 1/2	13.3600	13.3900	14.6100	14.6400
B954F108120	13 1/2	x	15	13.3600	13.3900	15.1100	15.1400
B954F108124	13 1/2	x	15 1/2	13.3600	13.3900	15.6100	15.6400
B954F108128	13 1/2	x	16	13.3600	13.3900	16.1100	16.1400
B954F108132	13 1/2	x	16 1/2	13.3600	13.3900	16.6100	16.6400
B954F108136	13 1/2	x	17	13.3600	13.3900	17.1100	17.1400
B954F112120	14	x	15	13.8600	13.8900	15.1100	15.1400
B954F112124	14	x	15 1/2	13.8600	13.8900	15.6100	15.6400
B954F112128	14	x	16	13.8600	13.8900	16.1100	16.1400
B954F112132	14	x	16 1/2	13.8600	13.8900	16.6100	16.6400
B954F112136	14	x	17	13.8600	13.8900	17.1100	17.1400
B954F112144	14	x	18	13.8600	13.8900	18.1100	18.1400

If you require any further assistance, please call: 419-866-7000
or email: buntinginfo@buntingbearings.com





C95400 Centrifugal Cast Aluminum Bronze Cored Bars

PART NUMBER	NOMINAL SIZES			I.D. Min.	I.D. Max.	O.D. Min.	O.D. Max.
	I.D.		O.D.				
B954F116124	14 1/2	x	15 1/2	14.3600	14.3900	15.6100	15.6400
B954F116128	14 1/2	x	16	14.3600	14.3900	16.1100	16.1400
B954F116132	14 1/2	x	16 1/2	14.3600	14.3900	16.6100	16.6400
B954F116136	14 1/2	x	17	14.3600	14.3900	17.1100	17.1400
B954F120128	15	x	16	14.8600	14.8900	16.1100	16.1400
B954F120132	15	x	16 1/2	14.8600	14.8900	16.6100	16.6400
B954F120136	15	x	17	14.8600	14.8900	17.1100	17.1400
B954F120140	15	x	17 1/2	14.8600	14.8900	17.6100	17.6400
B954F120144	15	x	18	14.8600	14.8900	18.1100	18.1400
B954F120148	15	x	18 1/2	14.8600	14.8900	18.6100	18.6400
B954F124132	15 1/2	x	16 1/2	15.3600	15.3900	16.6100	16.6400
B954F124136	15 1/2	x	17	15.3600	15.3900	17.1100	17.1400
B954F124140	15 1/2	x	17 1/2	15.3600	15.3900	17.6100	17.6400
B954F124144	15 1/2	x	18	15.3600	15.3900	18.1100	18.1400
B954F124148	15 1/2	x	18 1/2	15.3600	15.3900	18.6100	18.6400
B954F128136	16	x	17	15.8600	15.8900	17.1100	17.1400
B954F128140	16	x	17 1/2	15.8600	15.8900	17.6100	17.6400
B954F128144	16	x	18	15.8600	15.8900	18.1100	18.1400
B954F128148	16	x	18 1/2	15.8600	15.8900	18.6100	18.6400
B954F128152	16	x	19	15.8600	15.8900	19.1100	19.1400
B954F132140	16 1/2	x	17 1/2	16.3600	16.3900	17.6100	17.6400
B954F132144	16 1/2	x	18	16.3600	16.3900	18.1100	18.1400
B954F132148	16 1/2	x	18 1/2	16.3600	16.3900	18.6100	18.6400
B954F132152	16 1/2	x	19	16.3600	16.3900	19.1100	19.1400
B954F132156	16 1/2	x	19 1/2	16.3600	16.3900	19.6100	19.6400
B954F136144	17	x	18	16.8600	16.8900	18.1100	18.1400
B954F136148	17	x	18 1/2	16.8600	16.8900	18.6100	18.6400
B954F136152	17	x	19	16.8600	16.8900	19.1100	19.1400
B954F136156	17	x	19 1/2	16.8600	16.8900	19.6100	19.6400
B954F140148	17 1/2	x	18 1/2	17.3600	17.3900	18.6100	18.6400
B954F140152	17 1/2	x	19	17.3600	17.3900	19.1100	19.1400
B954F140156	17 1/2	x	19 1/2	17.3600	17.3900	19.6100	19.6400
B954F140160	17 1/2	x	20	17.3600	17.3900	20.1100	20.1400
B954F144152	18	x	19	17.8600	17.8900	19.1100	19.1400
B954F144156	18	x	19 1/2	17.8600	17.8900	19.6100	19.6400
B954F144160	18	x	20	17.8600	17.8900	20.1100	20.1400
B954F148156	18 1/2	x	19 1/2	18.3600	18.3900	19.6100	19.6400
B954F148160	18 1/2	x	20	18.3600	18.3900	20.1100	20.1400
B954F152160	19	x	20	18.8600	18.8900	20.1100	20.1400

Bunting C95500 Continuous Cast Solid, Cored and Centrifugal Cast Aluminum Bronze Bar

C95500 Aluminum Bronze is a non-lead “GREEN” Alloy

Nickel Aluminum Bronze

CDA 955

9D

ASTM B505

ASTM B271

Aluminum bronze is a very hard, strong, abrasion resistant bronze whose physical properties remain good at elevated temperatures – compressive strength at 500°F is the same as that of tin bronzes at room temperature. Good applications include heavy earth moving equipment, roll neck bearings, and machine tool bearings.

Solid and cored bars are stocked in 13" increments and 144" lengths, and are available in other lengths and non-standard sizes. Consider bars for use when you need special bearings, bearings for prototypes, or for emergency repairs.

Centrifugal cast large diameter cored bars are also available in 13" lengths as well as made to order sizes and lengths.

C95500 is available in either as cast condition or heat-treated.

Typical Properties: (Not to be used for specification purposes.)

Copper.....	78.00% min.
Aluminum.....	10.00 – 11.50%
Iron	3.00 – 5.00%
Nickel.....	3.00 – 5.50%

Physical Properties:

Continuous Cast

Centrifugal Cast

	As Cast		As Cast
Tensile Strength, PSI.....	95,000 min.	90,000 min.
Yield Strength, PSI	42,000 min.	40,000 min.
Elongation.....	10% min.	6% min.

	Heat Treated		Heat Treated
Tensile Strength, PSI.....	110,000 min.	110,000 min.
Yield Strength, PSI	62,000 min.	60,000 min.
Elongation.....	8% min.	5% min.

Brinell Hardness (3000 kg load; As Cast).....	195
Brinell Hardness (3000 kg load; Heat Treated)	230
Machinability Rating	50
Minimum Operating Temperature	-450° F
Maximum Operating Temperature	+750°F intermittent to +1200°F

C95500 Aluminum bronze is used for low speed, and very high load bearing applications. The addition of nickel increases the physical properties and corrosion resistance compared to C95400. C95500 requires hardened steel shafts and constant lubrication of grease, graphite or molybdenum-disulfide.



C95500 Continuous Cast Aluminum Bronze Solid Bars

PART NUMBER	NOMINAL SIZES			O.D. Min.	O.D. Max.
	I.D.		O.D.		
B955S000008	SOLID	x	1	1.0550	1.0750
B955S000012*	SOLID	x	1 1/2	1.5550	1.5750
B955S000016	SOLID	x	2	2.0550	2.0750
B955S000020*	SOLID	x	2 1/2	2.5550	2.5750
B955S000024	SOLID	x	3	3.0550	3.0750
B955S000028	SOLID	x	3 1/2	3.5750	3.6050
B955S000032	SOLID	x	4	4.0750	4.1050
B955S000040	SOLID	x	5	5.1050	5.1450
B955S000048	SOLID	x	6	6.1050	6.1450
B955S000064	SOLID	x	8	8.1000	8.1500

*When current inventory is depleted, these sizes will be supplied on special order basis only. Minimum order quantities may apply.

C95500 Continuous Cast Aluminum Bronze Cored Bars

PART NUMBER	NOMINAL SIZES			I.D. Min.	I.D. Max.	O.D. Min.	O.D. Max.
	I.D.		O.D.				
B955C008012*	1	x	1 1/2	0.9050	0.9450	1.5550	1.5750
B955C008016*	1	x	2	0.9050	0.9450	2.0550	2.0750
B955C008024*	1	x	3	0.9050	0.9450	3.0550	3.0750
B955C012016*	1 1/2	x	2	1.4050	1.4450	2.0550	2.0750
B955C012020*	1 1/2	x	2 1/2	1.4050	1.4450	2.5550	2.5750
B955C012024*	1 1/2	x	3	1.4050	1.4450	3.0550	3.0750
B955C016020*	2	x	2 1/2	1.9050	1.9450	2.5550	2.5750
B955C016024*	2	x	3	1.9050	1.9450	3.0550	3.0750
B955C020024*	2 1/2	x	3	2.4050	2.4450	3.0550	3.0750
B955C020028*	2 1/2	x	3 1/2	2.3750	2.4250	3.5750	3.6050
B955C020032*	2 1/2	x	4	2.3750	2.4250	4.0750	4.1050
B955C024028*	3	x	3 1/2	2.8750	2.9250	3.5750	3.6050
B955C024032*	3	x	4	2.8750	2.9250	4.0750	4.1050
B955C024040*	3	x	5	2.8450	2.9050	5.1050	5.1450
B955C028032*	3 1/2	x	4	3.3750	3.4250	4.0750	4.1050
B955C028036*	3 1/2	x	4 1/2	3.3750	3.4250	4.5750	4.6050
B955C032040*	4	x	5	3.8450	3.9050	5.1050	5.1450
B955C032048*	4	x	6	3.8450	3.9050	6.1050	6.1450
B955C040048*	5	x	6	4.8450	4.9050	6.1050	6.1450

*When current inventory is depleted, these sizes will be supplied on special order basis only. Minimum order quantities may apply.



C9550 Centrifugal Cast Aluminum Bronze Cored Bars

PART NUMBER	NOMINAL SIZES			I.D. Min.	I.D. Max.	O.D. Min.	O.D. Max.
	I.D.		O.D.				
B955F040072	5	x	9	4.8600	4.8900	9.1100	9.1400
B955F040080	5	x	10	4.8600	4.8900	10.1100	10.1400
B955F040084	5	x	10 1/2	4.8600	4.8900	10.6100	10.6400
B955F040088	5	x	11	4.8600	4.8900	11.1100	11.1400
B955F040092	5	x	11 1/2	4.8600	4.8900	11.6100	11.6400
B955F040096	5	x	12	4.8600	4.8900	12.1100	12.1400
B955F040100	5	x	12 1/2	4.8600	4.8900	12.6100	12.6400
B955F044080	5 1/2	x	10	5.3600	5.3900	10.1100	10.1400
B955F044084	5 1/2	x	10 1/2	5.3600	5.3900	10.6100	10.6400
B955F044088	5 1/2	x	11	5.3600	5.3900	11.1100	11.1400
B955F044092	5 1/2	x	11 1/2	5.3600	5.3900	11.6100	11.6400
B955F044096	5 1/2	x	12	5.3600	5.3900	12.1100	12.1400
B955F044100	5 1/2	x	12 1/2	5.3600	5.3900	12.6100	12.6400
B955F048068	6	x	8 1/2	5.8600	5.8900	8.6100	8.6400
B955F048072	6	x	9	5.8600	5.8900	9.1100	9.1400
B955F048080	6	x	10	5.8600	5.8900	10.1100	10.1400
B955F048084	6	x	10 1/2	5.8600	5.8900	10.6100	10.6400
B955F048088	6	x	11	5.8600	5.8900	11.1100	11.1400
B955F048092	6	x	11 1/2	5.8600	5.8900	11.6100	11.6400
B955F048096	6	x	12	5.8600	5.8900	12.1100	12.1400
B955F048100	6	x	12 1/2	5.8600	5.8900	12.6100	12.6400
B955F048104	6	x	13	5.8600	5.8900	13.1100	13.1400
B955F048112	6	x	14	5.8600	5.8900	14.1100	14.1400
B955F052068	6 1/2	x	8 1/2	6.3600	6.3900	8.6100	8.6400
B955F052076	6 1/2	x	9 1/2	6.3600	6.3900	9.6100	9.6400
B955F052080	6 1/2	x	10	6.3600	6.3900	10.1100	10.1400
B955F052084	6 1/2	x	10 1/2	6.3600	6.3900	10.6100	10.6400
B955F052088	6 1/2	x	11	6.3600	6.3900	11.1100	11.1400
B955F052092	6 1/2	x	11 1/2	6.3600	6.3900	11.6100	11.6400
B955F052096	6 1/2	x	12	6.3600	6.3900	12.1100	12.1400
B955F052100	6 1/2	x	12 1/2	6.3600	6.3900	12.6100	12.6400
B955F052104	6 1/2	x	13	6.3600	6.3900	13.1100	13.1400
B955F056068	7	x	8 1/2	6.8600	6.8900	8.6100	8.6400
B955F056072	7	x	9	6.8600	6.8900	9.1100	9.1400
B955F056076	7	x	9 1/2	6.8600	6.8900	9.6100	9.6400
B955F056080	7	x	10	6.8600	6.8900	10.1100	10.1400
B955F056084	7	x	10 1/2	6.8600	6.8900	10.6100	10.6400
B955F056088	7	x	11	6.8600	6.8900	11.1100	11.1400
B955F056092	7	x	11 1/2	6.8600	6.8900	11.6100	11.6400
B955F056096	7	x	12	6.8600	6.8900	12.1100	12.1400
B955F056100	7	x	12 1/2	6.8600	6.8900	12.6100	12.6400
B955F056104	7	x	13	6.8600	6.8900	13.1100	13.1400
B955F056112	7	x	14	6.8600	6.8900	14.1100	14.1400
B955F060068	7 1/2	x	8 1/2	7.3600	7.3900	8.6100	8.6400
B955F060076	7 1/2	x	9 1/2	7.3600	7.3900	9.6100	9.6400
B955F060080	7 1/2	x	10	7.3600	7.3900	10.1100	10.1400
B955F060084	7 1/2	x	10 1/2	7.3600	7.3900	10.6100	10.6400
B955F060088	7 1/2	x	11	7.3600	7.3900	11.1100	11.1400
B955F060092	7 1/2	x	11 1/2	7.3600	7.3900	11.6100	11.6400
B955F060096	7 1/2	x	12	7.3600	7.3900	12.1100	12.1400
B955F060100	7 1/2	x	12 1/2	7.3600	7.3900	12.6100	12.6400



C9550 Centrifugal Cast Aluminum Bronze Cored Bars

PART NUMBER	NOMINAL SIZES			I.D. Min.	I.D. Max.	O.D. Min.	O.D. Max.
	I.D.		O.D.				
B955F060104	7 1/2	x	13	7.3600	7.3900	13.1100	13.1400
B955F060108	7 1/2	x	13 1/2	7.3600	7.3900	13.6100	13.6400
B955F064072	8	x	9	7.8600	7.8900	9.1100	9.1400
B955F064076	8	x	9 1/2	7.8600	7.8900	9.6100	9.6400
B955F064080	8	x	10	7.8600	7.8900	10.1100	10.1400
B955F064084	8	x	10 1/2	7.8600	7.8900	10.6100	10.6400
B955F064088	8	x	11	7.8600	7.8900	11.1100	11.1400
B955F064092	8	x	11 1/2	7.8600	7.8900	11.6100	11.6400
B955F064096	8	x	12	7.8600	7.8900	12.1100	12.1400
B955F064100	8	x	12 1/2	7.8600	7.8900	12.6100	12.6400
B955F064104	8	x	13	7.8600	7.8900	13.1100	13.1400
B955F064108	8	x	13 1/2	7.8600	7.8900	13.6100	13.6400
B955F064112	8	x	14	7.8600	7.8900	14.1100	14.1400
B955F064128	8	x	16	7.8600	7.8900	16.1100	16.1400
B955F068076	8 1/2	x	9 1/2	8.3600	8.3900	9.6100	9.6400
B955F068080	8 1/2	x	10	8.3600	8.3900	10.1100	10.1400
B955F068084	8 1/2	x	10 1/2	8.3600	8.3900	10.6100	10.6400
B955F068088	8 1/2	x	11	8.3600	8.3900	11.1100	11.1400
B955F068092	8 1/2	x	11 1/2	8.3600	8.3900	11.6100	11.6400
B955F068096	8 1/2	x	12	8.3600	8.3900	12.1100	12.1400
B955F068100	8 1/2	x	12 1/2	8.3600	8.3900	12.6100	12.6400
B955F068104	8 1/2	x	13	8.3600	8.3900	13.1100	13.1400
B955F068108	8 1/2	x	13 1/2	8.3600	8.3900	13.6100	13.6400
B955F068112	8 1/2	x	14	8.3600	8.3900	14.1100	14.1400
B955F072080	9	x	10	8.8600	8.8900	10.1100	10.1400
B955F072084	9	x	10 1/2	8.8600	8.8900	10.6100	10.6400
B955F072088	9	x	11	8.8600	8.8900	11.1100	11.1400
B955F072092	9	x	11 1/2	8.8600	8.8900	11.6100	11.6400
B955F072096	9	x	12	8.8600	8.8900	12.1100	12.1400
B955F072100	9	x	12 1/2	8.8600	8.8900	12.6100	12.6400
B955F072104	9	x	13	8.8600	8.8900	13.1100	13.1400
B955F072108	9	x	13 1/2	8.8600	8.8900	13.6100	13.6400
B955F072112	9	x	14	8.8600	8.8900	14.1100	14.1400
B955F076084	9 1/2	x	10 1/2	9.3600	9.3900	10.6100	10.6400
B955F076088	9 1/2	x	11	9.3600	9.3900	11.1100	11.1400
B955F076092	9 1/2	x	11 1/2	9.3600	9.3900	11.6100	11.6400
B955F076096	9 1/2	x	12	9.3600	9.3900	12.1100	12.1400
B955F076100	9 1/2	x	12 1/2	9.3600	9.3900	12.6100	12.6400
B955F076104	9 1/2	x	13	9.3600	9.3900	13.1100	13.1400
B955F076108	9 1/2	x	13 1/2	9.3600	9.3900	13.6100	13.6400
B955F076112	9 1/2	x	14	9.3600	9.3900	14.1100	14.1400
B955F080088	10	x	11	9.8600	9.8900	11.1100	11.1400
B955F080092	10	x	11 1/2	9.8600	9.8900	11.6100	11.6400
B955F080096	10	x	12	9.8600	9.8900	12.1100	12.1400
B955F080100	10	x	12 1/2	9.8600	9.8900	12.6100	12.6400
B955F080104	10	x	13	9.8600	9.8900	13.1100	13.1400
B955F080108	10	x	13 1/2	9.8600	9.8900	13.6100	13.6400
B955F080112	10	x	14	9.8600	9.8900	14.1100	14.1400
B955F080128	10	x	16	9.8600	9.8900	16.1100	16.1400
B955F080144	10	x	18	9.8600	9.8900	18.1100	18.1400
B955F084092	10 1/2	x	11 1/2	10.3600	10.3900	11.6100	11.6400



C9550 Centrifugal Cast Aluminum Bronze Cored Bars

PART NUMBER	NOMINAL SIZES			I.D. Min.	I.D. Max.	O.D. Min.	O.D. Max.
	I.D.		O.D.				
B955F084096	10 1/2	x	12	10.3600	10.3900	12.1100	12.1400
B955F084100	10 1/2	x	12 1/2	10.3600	10.3900	12.6100	12.6400
B955F084104	10 1/2	x	13	10.3600	10.3900	13.1100	13.1400
B955F084108	10 1/2	x	13 1/2	10.3600	10.3900	13.6100	13.6400
B955F084112	10 1/2	x	14	10.3600	10.3900	14.1100	14.1400
B955F084116	10 1/2	x	14 1/2	10.3600	10.3900	14.6100	14.6400
B955F084120	10 1/2	x	15	10.3600	10.3900	15.1100	15.1400
B955F088096	11	x	12	10.8600	10.8900	12.1100	12.1400
B955F088100	11	x	12 1/2	10.8600	10.8900	12.6100	12.6400
B955F088104	11	x	13	10.8600	10.8900	13.1100	13.1400
B955F088108	11	x	13 1/2	10.8600	10.8900	13.6100	13.6400
B955F088112	11	x	14	10.8600	10.8900	14.1100	14.1400
B955F088116	11	x	14 1/2	10.8600	10.8900	14.6100	14.6400
B955F088120	11	x	15	10.8600	10.8900	15.1100	15.1400
B955F092100	11 1/2	x	12 1/2	11.3600	11.3900	12.6100	12.6400
B955F092104	11 1/2	x	13	11.3600	11.3900	13.1100	13.1400
B955F092108	11 1/2	x	13 1/2	11.3600	11.3900	13.6100	13.6400
B955F092112	11 1/2	x	14	11.3600	11.3900	14.1100	14.1400
B955F092116	11 1/2	x	14 1/2	11.3600	11.3900	14.6100	14.6400
B955F092120	11 1/2	x	15	11.3600	11.3900	15.1100	15.1400
B955F096104	12	x	13	11.8600	11.8900	13.1100	13.1400
B955F096108	12	x	13 1/2	11.8600	11.8900	13.6100	13.6400
B955F096112	12	x	14	11.8600	11.8900	14.1100	14.1400
B955F096116	12	x	14 1/2	11.8600	11.8900	14.6100	14.6400
B955F096120	12	x	15	11.8600	11.8900	15.1100	15.1400
B955F096124	12	x	15 1/2	11.8600	11.8900	15.6100	15.6400
B955F096128	12	x	16	11.8600	11.8900	16.1100	16.1400
B955F096144	12	x	18	11.8600	11.8900	18.1100	18.1400
B955F100108	12 1/2	x	13 1/2	12.3600	12.3900	13.6100	13.6400
B955F100112	12 1/2	x	14	12.3600	12.3900	14.1100	14.1400
B955F100116	12 1/2	x	14 1/2	12.3600	12.3900	14.6100	14.6400
B955F100120	12 1/2	x	15	12.3600	12.3900	15.1100	15.1400
B955F100124	12 1/2	x	15 1/2	12.3600	12.3900	15.6100	15.6400
B955F100128	12 1/2	x	16	12.3600	12.3900	16.1100	16.1400
B955F104112	13	x	14	12.8600	12.8900	14.1100	14.1400
B955F104116	13	x	14 1/2	12.8600	12.8900	14.6100	14.6400
B955F104120	13	x	15	12.8600	12.8900	15.1100	15.1400
B955F104124	13	x	15 1/2	12.8600	12.8900	15.6100	15.6400
B955F104128	13	x	16	12.8600	12.8900	16.1100	16.1400
B955F108116	13 1/2	x	14 1/2	13.3600	13.3900	14.6100	14.6400
B955F108120	13 1/2	x	15	13.3600	13.3900	15.1100	15.1400
B955F108124	13 1/2	x	15 1/2	13.3600	13.3900	15.6100	15.6400
B955F108128	13 1/2	x	16	13.3600	13.3900	16.1100	16.1400
B955F108132	13 1/2	x	16 1/2	13.3600	13.3900	16.6100	16.6400
B955F108136	13 1/2	x	17	13.3600	13.3900	17.1100	17.1400
B955F112120	14	x	15	13.8600	13.8900	15.1100	15.1400
B955F112124	14	x	15 1/2	13.8600	13.8900	15.6100	15.6400
B955F112128	14	x	16	13.8600	13.8900	16.1100	16.1400
B955F112132	14	x	16 1/2	13.8600	13.8900	16.6100	16.6400
B955F112136	14	x	17	13.8600	13.8900	17.1100	17.1400
B955F112144	14	x	18	13.8600	13.8900	18.1100	18.1400

If you require any further assistance, please call: 419-866-7000
or email: buntinginfo@buntingbearings.com





C9550 Centrifugal Cast Aluminum Bronze Cored Bars

PART NUMBER	NOMINAL SIZES			I.D. Min.	I.D. Max.	O.D. Min.	O.D. Max.
	I.D.		O.D.				
B955F116124	14 1/2	x	15 1/2	14.3600	14.3900	15.6100	15.6400
B955F116128	14 1/2	x	16	14.3600	14.3900	16.1100	16.1400
B955F116132	14 1/2	x	16 1/2	14.3600	14.3900	16.6100	16.6400
B955F116136	14 1/2	x	17	14.3600	14.3900	17.1100	17.1400
B955F120128	15	x	16	14.8600	14.8900	16.1100	16.1400
B955F120132	15	x	16 1/2	14.8600	14.8900	16.6100	16.6400
B955F120136	15	x	17	14.8600	14.8900	17.1100	17.1400
B955F120140	15	x	17 1/2	14.8600	14.8900	17.6100	17.6400
B955F120144	15	x	18	14.8600	14.8900	18.1100	18.1400
B955F120148	15	x	18 1/2	14.8600	14.8900	18.6100	18.6400
B955F124132	15 1/2	x	16 1/2	15.3600	15.3900	16.6100	16.6400
B955F124136	15 1/2	x	17	15.3600	15.3900	17.1100	17.1400
B955F124140	15 1/2	x	17 1/2	15.3600	15.3900	17.6100	17.6400
B955F124144	15 1/2	x	18	15.3600	15.3900	18.1100	18.1400
B955F124148	15 1/2	x	18 1/2	15.3600	15.3900	18.6100	18.6400
B955F128136	16	x	17	15.8600	15.8900	17.1100	17.1400
B955F128140	16	x	17 1/2	15.8600	15.8900	17.6100	17.6400
B955F128144	16	x	18	15.8600	15.8900	18.1100	18.1400
B955F128148	16	x	18 1/2	15.8600	15.8900	18.6100	18.6400
B955F128152	16	x	19	15.8600	15.8900	19.1100	19.1400
B955F132140	16 1/2	x	17 1/2	16.3600	16.3900	17.6100	17.6400
B955F132144	16 1/2	x	18	16.3600	16.3900	18.1100	18.1400
B955F132148	16 1/2	x	18 1/2	16.3600	16.3900	18.6100	18.6400
B955F132152	16 1/2	x	19	16.3600	16.3900	19.1100	19.1400
B955F132156	16 1/2	x	19 1/2	16.3600	16.3900	19.6100	19.6400
B955F136144	17	x	18	16.8600	16.8900	18.1100	18.1400
B955F136148	17	x	18 1/2	16.8600	16.8900	18.6100	18.6400
B955F136152	17	x	19	16.8600	16.8900	19.1100	19.1400
B955F136156	17	x	19 1/2	16.8600	16.8900	19.6100	19.6400
B955F140148	17 1/2	x	18 1/2	17.3600	17.3900	18.6100	18.6400
B955F140152	17 1/2	x	19	17.3600	17.3900	19.1100	19.1400
B955F140156	17 1/2	x	19 1/2	17.3600	17.3900	19.6100	19.6400
B955F140160	17 1/2	x	20	17.3600	17.3900	20.1100	20.1400
B955F144152	18	x	19	17.8600	17.8900	19.1100	19.1400
B955F144156	18	x	19 1/2	17.8600	17.8900	19.6100	19.6400
B955F144160	18	x	20	17.8600	17.8900	20.1100	20.1400
B955F148156	18 1/2	x	19 1/2	18.3600	18.3900	19.6100	19.6400
B955F148160	18 1/2	x	20	18.3600	18.3900	20.1100	20.1400
B955F152160	19	x	20	18.8600	18.8900	20.1100	20.1400

Bunting C95900 Continuous Cast Solid Aluminum Bronze Bar and Wearplate

C95900 Aluminum Bronze is a non-lead "GREEN" Alloy
Aluminum Bronze CDA 959 ASTM B505

Solid bars are stocked in 13" increments and 144" lengths, and are available in other lengths and non-standard sizes. Consider bars for use when you need special bearings, bearings for prototypes, or for emergency repairs.

Wearplate is stocked in 13" increments or 144" lengths, and is available in other lengths and non-standard sizes.

Typical Properties: (Not to be used for specification purposes.)

Copper.....	Remainder
Aluminum.....	12.00 – 13.50%
Iron	3.00 – 5.00%
Brinell Hardness (3000 kg load)	241 minimum
Minimum Operating Temperature	-450°F
Maximum Operating Temperature	+750°F intermittent to +1200°F

C95900 Aluminum bronze is an extremely hard, wear resistant material used for low speed, and very high load bearing applications. C95900 requires hardened steel shafts and constant lubrication of grease, graphite or molybdenum-disulfide.

C95900 Continuous Cast Aluminum Bronze Solid Bars

PART NUMBER	NOMINAL SIZES			O.D. Min.	O.D. Max.
	I.D.		O.D.		
B959S000008	SOLID	x	1	1.0550	1.0750
B959S000012*	SOLID	x	1 1/2	1.5550	1.5750
B959S000014*	SOLID	x	1 3/4	1.8050	1.8250
B959S000016	SOLID	x	2	2.0550	2.0750
B959S000018*	SOLID	x	2 1/4	2.3050	2.3250
B959S000020	SOLID	x	2 1/2	2.5550	2.5750
B959S000024	SOLID	x	3	3.0550	3.0750
B959S000028*	SOLID	x	3 1/2	3.5750	3.6050
B959S000032	SOLID	x	4	4.0750	4.1050
B959S000036*	SOLID	x	4 1/2	4.5750	4.6050
B959S000040*	SOLID	x	5	5.1050	5.1450
B959S000048	SOLID	x	6	6.1050	6.1450
B959S000064	SOLID	x	8	8.1000	8.1500

*When current inventory is depleted, these sizes will be supplied on special order basis only. Minimum order quantities may apply.



C95900 Continuous Cast Aluminum Bronze Wearplate

PART NUMBER	NOMINAL SIZES			THICKNESS		WIDTH	
	THICKNESS		WIDTH	Min.	Max.	Min.	Max.
B959W002008	1/4	x	1	0.320	0.360	1.070	1.110
B959W002016	1/4	x	2	0.320	0.360	2.070	2.110
B959W002024	1/4	x	3	0.320	0.360	3.070	3.110
B959W002032	1/4	x	4	0.320	0.360	4.070	4.110
B959W002048	1/4	x	6	0.355	0.395	6.105	6.145
B959W002064	1/4	x	8	0.355	0.395	8.105	8.145
B959W002096	1/4	x	12	0.355	0.395	12.105	12.145
B959W003008	3/8	x	1	0.445	0.485	1.070	1.110
B959W003016	3/8	x	2	0.445	0.485	2.070	2.110
B959W003032	3/8	x	4	0.445	0.485	4.070	4.110
B959W003048	3/8	x	6	0.480	0.520	6.105	6.145
B959W003064	3/8	x	8	0.480	0.520	8.105	8.145
B959W003096	3/8	x	12	0.480	0.520	12.105	12.145
B959W004008	1/2	x	1	0.570	0.610	1.070	1.110
B959W004016	1/2	x	2	0.570	0.610	2.070	2.110
B959W004024	1/2	x	3	0.570	0.610	3.070	3.110
B959W004032	1/2	x	4	0.570	0.610	4.070	4.110
B959W004048	1/2	x	6	0.605	0.645	6.105	6.145
B959W004064	1/2	x	8	0.605	0.645	8.105	8.145
B959W004096	1/2	x	12	0.605	0.645	12.105	12.145
B959W006008	3/4	x	1	0.820	0.860	1.070	1.110
B959W006016	3/4	x	2	0.820	0.860	2.070	2.110
B959W006032	3/4	x	4	0.820	0.860	4.070	4.110
B959W006048	3/4	x	6	0.855	0.895	6.105	6.145
B959W006064	3/4	x	8	0.855	0.895	8.105	8.145
B959W006096	3/4	x	12	0.855	0.895	12.105	12.145
B959W008008	1	x	1	1.070	1.110	1.070	1.110
B959W008016	1	x	2	1.070	1.110	2.070	2.110
B959W008024	1	x	3	1.070	1.110	3.070	3.110
B959W008032	1	x	4	1.070	1.110	4.070	4.110
B959W008048	1	x	6	1.105	1.145	6.105	6.145
B959W008064	1	x	8	1.105	1.145	8.105	8.145
B959W008096	1	x	12	1.105	1.145	12.105	12.145
B959W012032	1 1/2	x	4	1.570	1.610	4.070	4.110
B959W012064	1 1/2	x	8	1.605	1.645	8.105	8.145
B959W016032	2	x	4	2.070	2.110	4.070	4.110
B959W016064	2	x	8	2.105	2.145	8.105	8.145
B959W020032	2 1/2	x	4	2.570	2.610	4.070	4.110
B959W020064	2 1/2	x	8	2.605	2.645	8.105	8.145
B959W024064	3	x	8	3.105	3.145	8.105	8.145

Powdered Metal Products

Bunting is a leader in providing powdered metal engineered solutions. Bunting uses world class technologically advanced processes and procedures to provide its customers with a solution that utilizes all the benefits of the powder metal process, such as controlled porosity for self lubrication, almost 100% raw material utilization, high volumes with close tolerances at high speeds, long tool life and an approximate cost saving of 40% over machined products.

Bunting has a full range of sleeve and flanged type bearings in stock, in both inch and metric sizes. All Bunting metric bearings are produced to the international ISO standard.

Bunting produces a wide range of standard bearings in a wide range of materials. If you are looking for a high lubricity bearing, a high temperature bearing, a high load bearing or a bearing that has a USDA H-1 lubricant, Bunting manufactures them all in the USA.

Bunting also has a large machine shop for the production of custom bearings or short run prototypes. These bearings are produced from Bunting's full range of solid and cored bars.

Products

- Thrust washers and discs.
- Cored and solid bars.
- Plates up to 6" x 12" x 1"
- "Dri-Plane" for dry lubrication and/or high temperature applications.
- SAE 841 ideal for a wide range of applications.
- BB-16 for heavy load applications.
- 841 Extra where extra lubricity is required.
- 841 ECO where an USDA H-1 lubricant / RoHS compliant bearing is required.



Bunting Powdered Metal Structural Parts



Bunting works in partnership with its customers to develop the best possible engineered powdered metal solution. Bunting has a dedicated team in its Michigan facility that can provide a personal service on all levels. Bunting's technical competence and flexible approach will always result in components being designed and produced in a short and competitively priced manner.

With a large material selection at its disposal, Bunting produces structural components from small volume (5,000 per year) to large volumes (1,000,000 and over) to a wide range of industries.

- Press sizes from 4 to 750 tons.
- Manufacturing process includes blending, briquetting, sintering, sizing, infiltrating, impregnating, and finishing operations.
- Structural part weights to 8-1/2 lbs.
- Powdered metal bars up to 55 lbs. and outside diameters to 10-3/8" with lengths up to 6-5/8".
- Typical metal types include: bronzes, copper, iron, iron-copper, steel, alloy steels, and sinter-hardened steels.
- Secondary operations include standard and CNC machining capabilities, burnishing, vibratory finishing, and heat/steam treating.
- Vacuum impregnation includes most conventional and synthetic oils.
- Modern laboratory with up-to-date testing equipment and procedures.
- Quantity range from 100 to millions of pieces.
- Available on a J.I.T. basis.
- Experienced engineering assistance in material selection and part design.
- Continuous improvement to lower your cost.

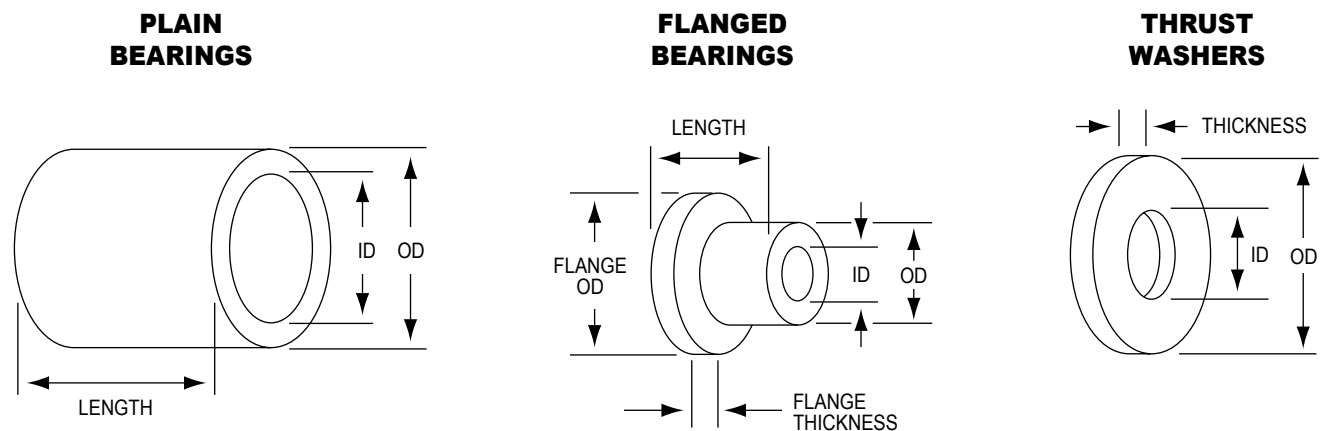
Bunting Oil-Filled Powdered Metal Bronze Bearings

Stock Bearings

Bunting offers a complete line of stock sleeve bearings, flanged bearings and thrust washers made of powdered metal bronze. Bunting sintered bronze stock bearings conform to ASTM chemical and physical properties, and are the first to include all ASTM standard sizes to ASTM recommended dimensions and tolerances.

After forming, sintering and sizing, the bearings are vacuum impregnated with SAE 30 oil that provides lubricant which is metered from the bearing to the shaft during rotation.

Standard off-the-shelf oil impregnated bronze bearings should function satisfactorily in temperatures ranging from +10°F to +220°F. Consult Bunting if application requires higher temperatures or other specific operating conditions.



Tolerance Table (Inches)

CONCENTRICITY TOLERANCE

O.D., IN.	Wall Thickness Maximum, In.	Concentricity Tolerance, In., TIR
Up to 1.010	Up to 0.255	0.003
1.011 to 1.510	Up to 0.355	0.003
1.511 to 2.010	Up to 0.505	0.004
2.011 to 3.010	Up to 0.760	0.005
3.011 to 4.010	Up to 1.010	0.005
4.011 to 5.010	Up to 1.510	0.006
5.011 to 6.010	Up to 2.010	0.007

Chamfers and Fillets

45° chamfers are standard for bearing walls greater than .062". Flat ends increase production tool strength and life. Bearing walls up to and including .062" are rounded. When required for installation in soft housings, special lead-in forms can be coined.

Chamfers below 45° are to be avoided. Feather edges on tooling are subject to breakage.

Standard Bearing Chamfers	
	Chamfer
Walls up to and including 0.062	Radius
Walls greater than 0.062	45°

Housing Chamfers

Smooth housing bore chamfers reduce bearing installation time and eliminate press fit loss due to the shearing of metal from the bearing O.D.

Tooling for production of stamped housings should be designed to provide a radius edge which will act as a lead and furnish clearance for flange fillet.

Standard Housing Chamfers	
Bore Diameter	Chamfer Size
Up to 0.500"	1/32" x 45°
0.501" to 1.000"	3/64" x 45°
1.001" to 2.000"	1/16" x 45°
2.001" to 3.000"	5/64" x 45°
3.001" to 4.000"	3/32" x 45°

Flanged Fillets

A fillet at the body O.D. of a flanged bearing facilitates manufacturing and strengthens the part.

Standard Flanged Fillets	
Bore Diameter	Flange Radius
Up to 1.000"	1/32"
1.001" to 2.000"	3/64"
2.001" to 2.500"	1/16"
2.501" to 4.000"	3/32"
4.001" to 6.000"	1/8"

Press Fits (Interference Fits)

Sleeve cylindrical journal bearings are commonly installed by press fitting the bearing into a housing with an insertion arbor. For housings rigid enough to withstand the press fit without appreciable distortion and for bearings with thickness approximately one eighth of the bearing outside diameter, the press fits shown in the Recommended Press Fits Table are suggested.

Recommended Press Fits (Inches)

Outside Diameter	Press Fit	
	Minimum	Maximum
Up to 0.760	0.001	0.003
0.761 to 1.510	0.0015	0.004
1.511 to 2.510	0.002	0.005
2.511 to 3.010	0.002	0.006
Over 3.010	0.002	0.007

Running Clearance

Proper running clearance for bearings depends to a great extent on the particular application. Only minimum recommended clearances for oil impregnated bearings used with ground steel shafting are listed in the Running Clearances Table

Running Clearance (Inches)

Shaft Size	Clearance, Min.
Up to 0.760	0.0005
0.761 to 1.510	0.001
1.511 to 2.510	0.0015
Over 2.510	0.002

Storage

Oil-impregnated units should be stored in suitable containers using plastic bags, waxpaper, metal, glass, etc. Wood, ordinary paper and cardboard are not suitable since they absorb oil from the bearing. Properly stored and protected against dust, oil-impregnated bearings retain their oil supply.

Typical Properties*

Properties	Materials	SAE 840 Bronze	SAE 841 Bronze	SAE 863
COMPOSITION-PERCENT				
Copper		Balance	Balance	18.0-22.0
Iron		1.0 max.	1.0 max.	Balance
Lead		--	--	--
Carbon		.3 max.	0.3 max.	--
Tin		9.5-10.5	9.5-10.5	--
Acid Insolubles (max.)		--	--	--
Magnesium		--	--	--
Total Other Elements (max.)		1.0	1.0	2.0
Balance		--	--	--
PHYSICAL AND MECHANICAL PROPERTIES				
Density (gm per cu. cm.)		6.0-6.4	6.4-6.8	5.6-6.0
Porosity (% Oil by vol.)		24 min.	19 min.	22 min.
K Strength Constant		19,000	26,000	25,000
Tensile Strength (PSI)		8,000	14,000	22,000
Elongation (% in one inch)		1	1	1
Yield Strength in Comp. (psi)**		7,000	11,000	22,000
COMPARABLE SPECIFICATIONS				
ASTM			B438 Grade 1 Type II	B439 Grade 4
Military			BEARINGS: MIL-B-5687D Type I Grade 1	MIL-B-5687D Type II Grade 4
			FORMERLY: MIL-B-5687C Type I Comp. A	FORMERLY: MIL-B-5687C Type II Comp. B
			BAR: FORMERLY: MIL-C-50709 Grade 1 Type II	
Metal Powder Industries Federation			CT-1000-K26	--
			FORMERLY: CT-0010-R	

*Bearings may exhibit appreciable differences in properties due to size, shape, thickness, etc.

**For 0.001" permanent set on test specimens 1-1/4" diameter x 1" long.



Powdered Metal SAE 841 Bronze Sleeve (Plain) Bearings

PART NUMBER	NOMINAL SIZES			I.D. Min.	I.D. Max.	O.D. Min.	O.D. Max.	LENGTH
	I.D.		O.D.					
EP020304	1/8	x	3/16	0.1260	0.1270	0.1895	0.1905	1/4
EP020308	1/8	x	3/16	0.1260	0.1270	0.1895	0.1905	1/2
AA101-8	1/8	x	3/16	0.1240	0.1250	0.1890	0.1900	5/32
AA101-2	1/8	x	3/16	0.1240	0.1250	0.1890	0.1900	1/4
AA101	1/8	x	3/16	0.1240	0.1250	0.1890	0.1900	3/8
AA101-1	1/8	x	3/16	0.1240	0.1250	0.1890	0.1900	1/2
AA110-1	1/8	x	3/16	0.1255	0.1265	0.1885	0.1895	1/8
AA110-2	1/8	x	3/16	0.1255	0.1265	0.1885	0.1895	1/4
AA110-4	1/8	x	3/16	0.1255	0.1265	0.1885	0.1895	5/16
AA223*	1/8	x	7/32	0.1260	0.1270	0.2210	0.2220	1/4
AA223-1*	1/8	x	7/32	0.1260	0.1270	0.2210	0.2220	3/8
EP020402	1/8	x	1/4	0.1260	0.1270	0.2520	0.2530	1/8
EP020404	1/8	x	1/4	0.1260	0.1270	0.2520	0.2530	1/4
EP020406	1/8	x	1/4	0.1260	0.1270	0.2520	0.2530	3/8
EP020408	1/8	x	1/4	0.1260	0.1270	0.2520	0.2530	1/2
AA224	1/8	x	1/4	0.1270	0.1280	0.2520	0.2530	1/4
AA224-1	1/8	x	1/4	0.1270	0.1280	0.2520	0.2530	3/8
AA337-2	1/8	x	3/8	0.1260	0.1270	0.3760	0.3770	1/4
AA337-3	1/8	x	3/8	0.1260	0.1270	0.3760	0.3770	1/2
AA211*	5/32	x	7/32	0.1550	0.1560	0.2190	0.2200	1/4
AA211-1*	5/32	x	7/32	0.1550	0.1560	0.2190	0.2200	3/8
AA204-1	5/32	x	1/4	0.1580	0.1590	0.2520	0.2530	1/4
AA204	5/32	x	1/4	0.1580	0.1590	0.2520	0.2530	5/16
AA238*	5/32	x	1/4	0.1555	0.1565	0.2515	0.2525	3/8
EP030404	3/16	x	1/4	0.1885	0.1895	0.2520	0.2530	1/4
EP030406	3/16	x	1/4	0.1885	0.1895	0.2520	0.2530	3/8
EP030408	3/16	x	1/4	0.1885	0.1895	0.2520	0.2530	1/2
EP030410	3/16	x	1/4	0.1885	0.1895	0.2520	0.2530	5/8
EP030412	3/16	x	1/4	0.1885	0.1895	0.2520	0.2530	3/4
AA225-2	3/16	x	1/4	0.1865	0.1875	0.2510	0.2520	1/4
AA225-1	3/16	x	1/4	0.1865	0.1875	0.2510	0.2520	5/16
AA225-6	3/16	x	1/4	0.1865	0.1875	0.2510	0.2520	3/8
AA225-4	3/16	x	1/4	0.1865	0.1875	0.2510	0.2520	1/2
AA225-3	3/16	x	1/4	0.1865	0.1875	0.2510	0.2520	5/8
AA226-1	3/16	x	1/4	0.1875	0.1885	0.2510	0.2520	1/4
AA226-2	3/16	x	1/4	0.1875	0.1885	0.2510	0.2520	3/8
AA226	3/16	x	1/4	0.1875	0.1885	0.2510	0.2520	7/16
AA226-3	3/16	x	1/4	0.1875	0.1885	0.2510	0.2520	1/2
AA226-4	3/16	x	1/4	0.1875	0.1885	0.2510	0.2520	5/8
EP030503	3/16	x	5/16	0.1885	0.1895	0.3145	0.3155	3/16
EP030504	3/16	x	5/16	0.1885	0.1895	0.3145	0.3155	1/4
EP030505	3/16	x	5/16	0.1885	0.1895	0.3145	0.3155	5/16
EP030506	3/16	x	5/16	0.1885	0.1895	0.3145	0.3155	3/8
EP030508	3/16	x	5/16	0.1885	0.1895	0.3145	0.3155	1/2
EP030510	3/16	x	5/16	0.1885	0.1895	0.3145	0.3155	5/8

*When current inventory is depleted, these sizes will be supplied on special order basis only. Minimum order quantities may apply.

Length Size	Tolerance
-- to 1.495"	±0.005"
1.496" to 2.990"	±0.0075"
2.991" to 4.895"	±0.010"

If you require any further assistance, please call: 419-866-7000
or email: buntinginfo@buntingbearings.com



Powdered Metal SAE 841 Bronze Sleeve (Plain) Bearings

PART NUMBER	NOMINAL SIZES			I.D. Min.	I.D. Max.	O.D. Min.	O.D. Max.	LENGTH
	I.D.		O.D.					
EP030512	3/16	x	5/16	0.1885	0.1895	0.3145	0.3155	3/4
EP030516	3/16	x	5/16	0.1885	0.1895	0.3145	0.3155	1
AA309-9	3/16	x	5/16	0.1875	0.1885	0.3135	0.3145	3/16
AA309	3/16	x	5/16	0.1875	0.1885	0.3135	0.3145	1/4
AA309-3	3/16	x	5/16	0.1875	0.1885	0.3135	0.3145	5/16
AA309-4	3/16	x	5/16	0.1875	0.1885	0.3135	0.3145	3/8
AA309-8	3/16	x	5/16	0.1875	0.1885	0.3135	0.3145	7/16
AA309-14	3/16	x	5/16	0.1875	0.1885	0.3135	0.3145	1/2
AA309-7	3/16	x	5/16	0.1875	0.1885	0.3135	0.3145	5/8
AA309-5	3/16	x	5/16	0.1875	0.1885	0.3135	0.3145	3/4
AA331	3/16	x	5/16	0.1885	0.1895	0.3135	0.3145	3/16
AA331-2	3/16	x	5/16	0.1885	0.1895	0.3135	0.3145	1/4
AA331-3	3/16	x	5/16	0.1885	0.1895	0.3135	0.3145	3/8
EP030604	3/16	x	3/8	0.1885	0.1895	0.3770	0.3780	1/4
EP030606	3/16	x	3/8	0.1885	0.1895	0.3770	0.3780	3/8
EP030608	3/16	x	3/8	0.1885	0.1895	0.3770	0.3780	1/2
EP030610	3/16	x	3/8	0.1885	0.1895	0.3770	0.3780	5/8
EP030612	3/16	x	3/8	0.1885	0.1895	0.3770	0.3780	3/4
AA346-1	3/16	x	3/8	0.1875	0.1885	0.3765	0.3775	1/4
AA346-2	3/16	x	3/8	0.1875	0.1885	0.3765	0.3775	3/8
AA346	3/16	x	3/8	0.1875	0.1885	0.3765	0.3775	1/2
AA318*	7/32	x	5/16	0.2180	0.2190	0.3135	0.3145	5/16
AA318-1*	7/32	x	5/16	0.2180	0.2190	0.3135	0.3145	3/8
AA410-2	7/32	x	7/16	0.2180	0.2190	0.4390	0.4400	1/2
AA410-3	7/32	x	7/16	0.2180	0.2190	0.4390	0.4400	3/4
AA335-4	1/4	x	5/16	0.2520	0.2530	0.3145	0.3155	1/2
AA335-6	1/4	x	5/16	0.2520	0.2530	0.3145	0.3155	5/8
AA335-5	1/4	x	5/16	0.2520	0.2530	0.3145	0.3155	3/4
AA347-2	1/4	x	5/16	0.2505	0.2515	0.3145	0.3155	1/4
AA347-3	1/4	x	5/16	0.2505	0.2515	0.3145	0.3155	3/8
EP040504	1/4	x	5/16	0.2510	0.2520	0.3145	0.3155	1/4
EP040506	1/4	x	5/16	0.2510	0.2520	0.3145	0.3155	3/8
EP040508	1/4	x	5/16	0.2510	0.2520	0.3145	0.3155	1/2
EP040510	1/4	x	5/16	0.2510	0.2520	0.3145	0.3155	5/8
EP040512	1/4	x	5/16	0.2510	0.2520	0.3145	0.3155	3/4
AA397-1	1/4	x	5/16	0.2495	0.2505	0.3135	0.3145	1/4
AA397	1/4	x	5/16	0.2495	0.2505	0.3135	0.3145	1/2
EP040604	1/4	x	3/8	0.2510	0.2520	0.3770	0.3780	1/4
EP040605	1/4	x	3/8	0.2510	0.2520	0.3770	0.3780	5/16
EP040606	1/4	x	3/8	0.2510	0.2520	0.3770	0.3780	3/8
EP040607	1/4	x	3/8	0.2510	0.2520	0.3770	0.3780	7/16
EP040608	1/4	x	3/8	0.2510	0.2520	0.3770	0.3780	1/2
EP040610	1/4	x	3/8	0.2510	0.2520	0.3770	0.3780	5/8
EP040612	1/4	x	3/8	0.2510	0.2520	0.3770	0.3780	3/4
EP040614	1/4	x	3/8	0.2510	0.2520	0.3770	0.3780	7/8

*When current inventory is depleted, these sizes will be supplied on special order basis only. Minimum order quantities may apply.

Length Size	Tolerance
-- to 1.495"	±0.005"
1.496" to 2.990"	±0.0075"
2.991" to 4.895"	±0.010"



Powdered Metal SAE 841 Bronze Sleeve (Plain) Bearings

PART NUMBER	NOMINAL SIZES			I.D. Min.	I.D. Max.	O.D. Min.	O.D. Max.	LENGTH
	I.D.		O.D.					
EP040616	1/4	x	3/8	0.2510	0.2520	0.3770	0.3780	1
EP040618	1/4	x	3/8	0.2510	0.2520	0.3770	0.3780	1 1/8
EP040620	1/4	x	3/8	0.2510	0.2520	0.3770	0.3780	1 1/4
AA304-35	1/4	x	3/8	0.2495	0.2505	0.3760	0.3770	1/4
AA304-9	1/4	x	3/8	0.2495	0.2505	0.3760	0.3770	5/16
AA304-7	1/4	x	3/8	0.2495	0.2505	0.3760	0.3770	3/8
AA304-24	1/4	x	3/8	0.2495	0.2505	0.3760	0.3770	7/16
AA304-2	1/4	x	3/8	0.2495	0.2505	0.3760	0.3770	1/2
AA304-5	1/4	x	3/8	0.2495	0.2505	0.3760	0.3770	9/16
AA304-1	1/4	x	3/8	0.2495	0.2505	0.3760	0.3770	5/8
AA304-22	1/4	x	3/8	0.2495	0.2505	0.3760	0.3770	3/4
AA304-21*	1/4	x	3/8	0.2495	0.2505	0.3760	0.3770	7/8
AA304-20*	1/4	x	3/8	0.2495	0.2505	0.3760	0.3770	1
AA304-33*	1/4	x	3/8	0.2495	0.2505	0.3760	0.3770	1 1/8
AA304-11*	1/4	x	3/8	0.2495	0.2505	0.3760	0.3770	1 1/4
AA307	1/4	x	3/8	0.2510	0.2520	0.3760	0.3770	1/4
AA307-1	1/4	x	3/8	0.2510	0.2520	0.3760	0.3770	5/16
AA307-9	1/4	x	3/8	0.2510	0.2520	0.3760	0.3770	3/8
AA307-3	1/4	x	3/8	0.2510	0.2520	0.3760	0.3770	1/2
AA307-10	1/4	x	3/8	0.2510	0.2520	0.3760	0.3770	5/8
AA307-11	1/4	x	3/8	0.2510	0.2520	0.3760	0.3770	3/4
AA307-2	1/4	x	3/8	0.2510	0.2520	0.3760	0.3770	1
AA307-13	1/4	x	3/8	0.2510	0.2520	0.3760	0.3770	1 1/8
AA385-1	1/4	x	3/8	0.2520	0.2530	0.3760	0.3770	1/4
AA385	1/4	x	3/8	0.2520	0.2530	0.3760	0.3770	1/2
AA385-2	1/4	x	3/8	0.2520	0.2530	0.3760	0.3770	3/4
EP040706	1/4	x	7/16	0.2510	0.2520	0.4395	0.4405	3/8
EP040708	1/4	x	7/16	0.2510	0.2520	0.4395	0.4405	1/2
EP040710	1/4	x	7/16	0.2510	0.2520	0.4395	0.4405	5/8
EP040712	1/4	x	7/16	0.2510	0.2520	0.4395	0.4405	3/4
EP040714	1/4	x	7/16	0.2510	0.2520	0.4395	0.4405	7/8
EP040716	1/4	x	7/16	0.2510	0.2520	0.4395	0.4405	1
AA412-10*	1/4	x	7/16	0.2510	0.2520	0.4385	0.4395	3/8
AA412-7	1/4	x	7/16	0.2510	0.2520	0.4385	0.4395	1/2
AA412-6*	1/4	x	7/16	0.2510	0.2520	0.4385	0.4395	5/8
AA412-1	1/4	x	7/16	0.2510	0.2520	0.4385	0.4395	3/4
AA412-8	1/4	x	7/16	0.2510	0.2520	0.4385	0.4395	1
AA430	1/4	x	7/16	0.2500	0.2510	0.4385	0.4395	3/8
AA430-1	1/4	x	7/16	0.2500	0.2510	0.4385	0.4395	1/2
AA430-5	1/4	x	7/16	0.2500	0.2510	0.4385	0.4395	5/8
AA430-2	1/4	x	7/16	0.2500	0.2510	0.4385	0.4395	3/4
AA430-6	1/4	x	7/16	0.2500	0.2510	0.4385	0.4395	7/8
AA430-3*	1/4	x	7/16	0.2500	0.2510	0.4385	0.4395	1
EP040805	1/4	x	1/2	0.2510	0.2520	0.5020	0.5030	5/16
EP040808	1/4	x	1/2	0.2510	0.2520	0.5020	0.5030	1/2

*When current inventory is depleted, these sizes will be supplied on special order basis only. Minimum order quantities may apply.

Length Size	Tolerance
-- to 1.495"	±0.005"
1.496" to 2.990"	±0.0075"
2.991" to 4.895"	±0.010"

If you require any further assistance, please call: 419-866-7000
or email: buntinginfo@buntingbearings.com



Powdered Metal SAE 841 Bronze Sleeve (Plain) Bearings

PART NUMBER	NOMINAL SIZES		I.D. Min.	I.D. Max.	O.D. Min.	O.D. Max.	LENGTH
	I.D.	O.D.					
EP040812	1/4	x 1/2	0.2510	0.2520	0.5020	0.5030	3/4
EP040816	1/4	x 1/2	0.2510	0.2520	0.5020	0.5030	1
EP040820	1/4	x 1/2	0.2510	0.2520	0.5020	0.5030	1 1/4
AAB519-4*	1/4	x 1/2	0.2510	0.2520	0.5005	0.5015	5/16
AAB519-1*	1/4	x 1/2	0.2510	0.2520	0.5005	0.5015	1/2
AAB519-2*	1/4	x 1/2	0.2510	0.2520	0.5005	0.5015	3/4
AAB519-3*	1/4	x 1/2	0.2510	0.2520	0.5005	0.5015	1
EP050604	5/16	x 3/8	0.3135	0.3145	0.3770	0.3780	1/4
EP050606	5/16	x 3/8	0.3135	0.3145	0.3770	0.3780	3/8
EP050608	5/16	x 3/8	0.3135	0.3145	0.3770	0.3780	1/2
EP050610	5/16	x 3/8	0.3135	0.3145	0.3770	0.3780	5/8
EP050612	5/16	x 3/8	0.3135	0.3145	0.3770	0.3780	3/4
EP050614	5/16	x 3/8	0.3135	0.3145	0.3770	0.3780	7/8
EP050616	5/16	x 3/8	0.3135	0.3145	0.3770	0.3780	1
AA306-11	5/16	x 3/8	0.3125	0.3135	0.3760	0.3770	1/4
AA306-1*	5/16	x 3/8	0.3125	0.3135	0.3760	0.3770	5/16
AA306-3	5/16	x 3/8	0.3125	0.3135	0.3760	0.3770	3/8
AA306-7	5/16	x 3/8	0.3125	0.3135	0.3760	0.3770	1/2
AA306-8	5/16	x 3/8	0.3125	0.3135	0.3760	0.3770	5/8
AA306-6	5/16	x 3/8	0.3125	0.3135	0.3760	0.3770	3/4
AA403*	5/16	x 7/16	0.3105	0.3115	0.4400	0.4410	3/8
AA403-2*	5/16	x 7/16	0.3105	0.3115	0.4400	0.4410	1/2
EP050704	5/16	x 7/16	0.3135	0.3145	0.4395	0.4405	1/4
EP050705	5/16	x 7/16	0.3135	0.3145	0.4395	0.4405	5/16
EP050706	5/16	x 7/16	0.3135	0.3145	0.4395	0.4405	3/8
EP050708	5/16	x 7/16	0.3135	0.3145	0.4395	0.4405	1/2
EP050710	5/16	x 7/16	0.3135	0.3145	0.4395	0.4405	5/8
EP050712	5/16	x 7/16	0.3135	0.3145	0.4395	0.4405	3/4
EP050714	5/16	x 7/16	0.3135	0.3145	0.4395	0.4405	7/8
EP050716	5/16	x 7/16	0.3135	0.3145	0.4395	0.4405	1
EP050718	5/16	x 7/16	0.3135	0.3145	0.4395	0.4405	1 1/8
EP050720	5/16	x 7/16	0.3135	0.3145	0.4395	0.4405	1 1/4
AA407-1	5/16	x 7/16	0.3115	0.3125	0.4390	0.4400	1/4
AA407-10*	5/16	x 7/16	0.3115	0.3125	0.4390	0.4400	5/16
AA407-7	5/16	x 7/16	0.3115	0.3125	0.4390	0.4400	3/8
AA407-3	5/16	x 7/16	0.3115	0.3125	0.4390	0.4400	1/2
AA407-2*	5/16	x 7/16	0.3115	0.3125	0.4390	0.4400	5/8
AA407-4	5/16	x 7/16	0.3115	0.3125	0.4390	0.4400	3/4
AA401-17	5/16	x 7/16	0.3125	0.3135	0.4385	0.4395	1/4
AA401-25*	5/16	x 7/16	0.3125	0.3135	0.4385	0.4395	5/16
AA401-2	5/16	x 7/16	0.3125	0.3135	0.4385	0.4395	3/8
AA401-20	5/16	x 7/16	0.3125	0.3135	0.4385	0.4395	7/16
AA401-3	5/16	x 7/16	0.3125	0.3135	0.4385	0.4395	1/2
AA401-21	5/16	x 7/16	0.3125	0.3135	0.4385	0.4395	5/8
AA401-11	5/16	x 7/16	0.3125	0.3135	0.4385	0.4395	11/16

*When current inventory is depleted, these sizes will be supplied on special order basis only. Minimum order quantities may apply.

Length Size	Tolerance
-- to 1.495"	±0.005"
1.496" to 2.990"	±0.0075"
2.991" to 4.895"	±0.010"



Powdered Metal SAE 841 Bronze Sleeve (Plain) Bearings

PART NUMBER	NOMINAL SIZES			I.D. Min.	I.D. Max.	O.D. Min.	O.D. Max.	LENGTH
	I.D.		O.D.					
AA401-5	5/16	x	7/16	0.3125	0.3135	0.4385	0.4395	3/4
AA401-12*	5/16	x	7/16	0.3125	0.3135	0.4385	0.4395	7/8
AA401-1*	5/16	x	7/16	0.3125	0.3135	0.4385	0.4395	1
AA401*	5/16	x	7/16	0.3125	0.3135	0.4385	0.4395	1 1/8
AA401-6*	5/16	x	7/16	0.3125	0.3135	0.4385	0.4395	1 1/4
AA401-8*	5/16	x	7/16	0.3125	0.3135	0.4385	0.4395	1 3/8
AA417-7	5/16	x	7/16	0.3145	0.3155	0.4385	0.4395	1/4
AA417	5/16	x	7/16	0.3145	0.3155	0.4385	0.4395	1/2
AA417-3	5/16	x	7/16	0.3145	0.3155	0.4385	0.4395	3/4
AA506-16	5/16	x	1/2	0.3130	0.3140	0.5020	0.5030	1/4
AA506-2	5/16	x	1/2	0.3130	0.3140	0.5020	0.5030	3/8
AA506-7	5/16	x	1/2	0.3130	0.3140	0.5020	0.5030	1/2
AA506-1	5/16	x	1/2	0.3130	0.3140	0.5020	0.5030	9/16
AA506-3	5/16	x	1/2	0.3130	0.3140	0.5020	0.5030	5/8
AA506-8	5/16	x	1/2	0.3130	0.3140	0.5020	0.5030	3/4
AA506-9*	5/16	x	1/2	0.3130	0.3140	0.5020	0.5030	1
EP050806	5/16	x	1/2	0.3135	0.3145	0.5020	0.5030	3/8
EP050808	5/16	x	1/2	0.3135	0.3145	0.5020	0.5030	1/2
EP050810	5/16	x	1/2	0.3135	0.3145	0.5020	0.5030	5/8
EP050812	5/16	x	1/2	0.3135	0.3145	0.5020	0.5030	3/4
EP050814	5/16	x	1/2	0.3135	0.3145	0.5020	0.5030	7/8
EP050816	5/16	x	1/2	0.3135	0.3145	0.5020	0.5030	1
EP050820	5/16	x	1/2	0.3135	0.3145	0.5020	0.5030	1 1/4
EP050824	5/16	x	1/2	0.3135	0.3145	0.5020	0.5030	1 1/2
AA520-8	5/16	x	1/2	0.3115	0.3125	0.5020	0.5030	3/8
AA520-3	5/16	x	1/2	0.3115	0.3125	0.5020	0.5030	1/2
AA520-4	5/16	x	1/2	0.3115	0.3125	0.5020	0.5030	5/8
AA520-1*	5/16	x	1/2	0.3115	0.3125	0.5020	0.5030	3/4
AA520-2*	5/16	x	1/2	0.3115	0.3125	0.5020	0.5030	7/8
AA520-5	5/16	x	1/2	0.3115	0.3125	0.5020	0.5030	1
EP060708	3/8	x	7/16	0.3760	0.3770	0.4395	0.4405	1/2
EP060710	3/8	x	7/16	0.3760	0.3770	0.4395	0.4405	5/8
EP060712	3/8	x	7/16	0.3760	0.3770	0.4395	0.4405	3/4
EP060716	3/8	x	7/16	0.3760	0.3770	0.4395	0.4405	1
AA432-4	3/8		7/16	0.3755	0.3765	0.4390	0.4400	1/4
AA432-2	3/8	x	7/16	0.3755	0.3765	0.4390	0.4400	3/8
AA432-1	3/8	x	7/16	0.3755	0.3765	0.4390	0.4400	1/2
AA432-3	3/8	x	7/16	0.3755	0.3765	0.4390	0.4400	3/4
AA507-12	3/8	x	1/2	0.3755	0.3765	0.5020	0.5030	3/16
AA507-19	3/8	x	1/2	0.3755	0.3765	0.5020	0.5030	1/4
AA507-13	3/8	x	1/2	0.3755	0.3765	0.5020	0.5030	5/16
AA507-11	3/8	x	1/2	0.3755	0.3765	0.5020	0.5030	3/8
AA507-4	3/8	x	1/2	0.3755	0.3765	0.5020	0.5030	7/16
AA507-10	3/8	x	1/2	0.3755	0.3765	0.5020	0.5030	1/2
AA507-5	3/8	x	1/2	0.3755	0.3765	0.5020	0.5030	5/8

*When current inventory is depleted, these sizes will be supplied on special order basis only. Minimum order quantities may apply.

Length Size	Tolerance
-- to 1.495"	±0.005"
1.496" to 2.990"	±0.0075"
2.991" to 4.895"	±0.010"



Powdered Metal SAE 841 Bronze Sleeve (Plain) Bearings

PART NUMBER	NOMINAL SIZES			I.D. Min.	I.D. Max.	O.D. Min.	O.D. Max.	LENGTH
	I.D.		O.D.					
AA507-2	3/8	x	1/2	0.3755	0.3765	0.5020	0.5030	3/4
AA507-3	3/8	x	1/2	0.3755	0.3765	0.5020	0.5030	7/8
AA507-23	3/8	x	1/2	0.3755	0.3765	0.5020	0.5030	1
AA507-17	3/8	x	1/2	0.3755	0.3765	0.5020	0.5030	1 1/8
AA521-4	3/8	x	1/2	0.3740	0.3750	0.5020	0.5030	1/4
AA521-9	3/8	x	1/2	0.3740	0.3750	0.5020	0.5030	3/8
AA521-8	3/8	x	1/2	0.3740	0.3750	0.5020	0.5030	7/16
AA521-1	3/8	x	1/2	0.3740	0.3750	0.5020	0.5030	1/2
AA521-10	3/8	x	1/2	0.3740	0.3750	0.5020	0.5030	5/8
AA521	3/8	x	1/2	0.3740	0.3750	0.5020	0.5030	3/4
AA521-2*	3/8	x	1/2	0.3740	0.3750	0.5020	0.5030	7/8
AA521-11	3/8	x	1/2	0.3740	0.3750	0.5020	0.5030	1
AA521-12	3/8	x	1/2	0.3740	0.3750	0.5020	0.5030	1 1/4
EP060803	3/8	x	1/2	0.3760	0.3770	0.5020	0.5030	3/16
EP060804	3/8	x	1/2	0.3760	0.3770	0.5020	0.5030	1/4
EP060805	3/8	x	1/2	0.3760	0.3770	0.5020	0.5030	5/16
EP060806	3/8	x	1/2	0.3760	0.3770	0.5020	0.5030	3/8
EP060807	3/8	x	1/2	0.3760	0.3770	0.5020	0.5030	7/16
EP060808	3/8	x	1/2	0.3760	0.3770	0.5020	0.5030	1/2
EP060810	3/8	x	1/2	0.3760	0.3770	0.5020	0.5030	5/8
EP060812	3/8	x	1/2	0.3760	0.3770	0.5020	0.5030	3/4
EP060814	3/8	x	1/2	0.3760	0.3770	0.5020	0.5030	7/8
EP060816	3/8	x	1/2	0.3760	0.3770	0.5020	0.5030	1
EP060818	3/8	x	1/2	0.3760	0.3770	0.5020	0.5030	1 1/8
EP060820	3/8	x	1/2	0.3760	0.3770	0.5020	0.5030	1 1/4
AAB502-5	3/8	x	1/2	0.3770	0.3780	0.5015	0.5025	1/4
AAB502	3/8	x	1/2	0.3770	0.3780	0.5015	0.5025	1/2
AAB502-3	3/8	x	1/2	0.3770	0.3780	0.5015	0.5025	5/8
AAB502-1	3/8	x	1/2	0.3770	0.3780	0.5015	0.5025	3/4
AAB502-2	3/8	x	1/2	0.3770	0.3780	0.5015	0.5025	1
AA516-5	3/8	x	9/16	0.3755	0.3765	0.5645	0.5655	3/8
AA516-6	3/8	x	9/16	0.3755	0.3765	0.5645	0.5655	1/2
AA516-3	3/8	x	9/16	0.3755	0.3765	0.5645	0.5655	9/16
AA516	3/8	x	9/16	0.3755	0.3765	0.5645	0.5655	11/16
AA516-10*	3/8	x	9/16	0.3755	0.3765	0.5645	0.5655	3/4
AA516-8	3/8	x	9/16	0.3755	0.3765	0.5645	0.5655	1
AA516-2*	3/8	x	9/16	0.3755	0.3765	0.5645	0.5655	1 1/4
EP060906	3/8	x	9/16	0.3760	0.3770	0.5645	0.5655	3/8
EP060908	3/8	x	9/16	0.3760	0.3770	0.5645	0.5655	1/2
EP060910	3/8	x	9/16	0.3760	0.3770	0.5645	0.5655	5/8
EP060912	3/8	x	9/16	0.3760	0.3770	0.5645	0.5655	3/4
EP060914	3/8	x	9/16	0.3760	0.3770	0.5645	0.5655	7/8
EP060916	3/8	x	9/16	0.3760	0.3770	0.5645	0.5655	1
EP060920	3/8	x	9/16	0.3760	0.3770	0.5645	0.5655	1 1/4
EP061006	3/8	x	5/8	0.3760	0.3770	0.6270	0.6280	3/8

*When current inventory is depleted, these sizes will be supplied on special order basis only. Minimum order quantities may apply.

Length Size	Tolerance
-- to 1.495"	±0.005"
1.496" to 2.990"	±0.0075"
2.991" to 4.895"	±0.010"



Powdered Metal SAE 841 Bronze Sleeve (Plain) Bearings

PART NUMBER	NOMINAL SIZES			I.D. Min.	I.D. Max.	O.D. Min.	O.D. Max.	LENGTH
	I.D.		O.D.					
EP061008	3/8	x	5/8	0.3760	0.3770	0.6270	0.6280	1/2
EP061010	3/8	x	5/8	0.3760	0.3770	0.6270	0.6280	5/8
EP061012	3/8	x	5/8	0.3760	0.3770	0.6270	0.6280	3/4
EP061014	3/8	x	5/8	0.3760	0.3770	0.6270	0.6280	7/8
EP061016	3/8	x	5/8	0.3760	0.3770	0.6270	0.6280	1
EP061020	3/8	x	5/8	0.3760	0.3770	0.6270	0.6280	1 1/4
AA630-8	3/8	x	5/8	0.3750	0.3760	0.6260	0.6270	3/8
AA630-16	3/8	x	5/8	0.3750	0.3760	0.6260	0.6270	7/16
AA630-11	3/8	x	5/8	0.3750	0.3760	0.6260	0.6270	1/2
AA630-6*	3/8	x	5/8	0.3750	0.3760	0.6260	0.6270	5/8
AA630-12*	3/8	x	5/8	0.3750	0.3760	0.6260	0.6270	3/4
AA630	3/8	x	5/8	0.3750	0.3760	0.6260	0.6270	7/8
AA630-7	3/8	x	5/8	0.3750	0.3760	0.6260	0.6270	1
AA630-1	3/8	x	5/8	0.3750	0.3760	0.6260	0.6270	1 1/8
AA630-2*	3/8	x	5/8	0.3750	0.3760	0.6260	0.6270	1 1/4
AA615	3/8	x	11/16	0.3755	0.3765	0.6880	0.6890	3/4
AA615-2	3/8	x	11/16	0.3755	0.3765	0.6880	0.6890	1 1/2
EP061206	3/8	x	3/4	0.3760	0.3770	0.7520	0.7530	3/8
EP061208	3/8	x	3/4	0.3760	0.3770	0.7520	0.7530	1/2
EP061212	3/8	x	3/4	0.3760	0.3770	0.7520	0.7530	3/4
EP061216	3/8	x	3/4	0.3760	0.3770	0.7520	0.7530	1
EP061220	3/8	x	3/4	0.3760	0.3770	0.7520	0.7530	1 1/4
AA707-2	3/8	x	3/4	0.3760	0.3770	0.7520	0.7530	1/2
AA707-3	3/8	x	3/4	0.3760	0.3770	0.7520	0.7530	3/4
AA707	3/8	x	3/4	0.3760	0.3770	0.7520	0.7530	1
AA707-4	3/8	x	3/4	0.3760	0.3770	0.7520	0.7530	1 1/4
EP070906	7/16	x	9/16	0.4385	0.4395	0.5645	0.5655	3/8
EP070908	7/16	x	9/16	0.4385	0.4395	0.5645	0.5655	1/2
EP070910	7/16	x	9/16	0.4385	0.4395	0.5645	0.5655	5/8
EP070912	7/16	x	9/16	0.4385	0.4395	0.5645	0.5655	3/4
EP070916	7/16	x	9/16	0.4385	0.4395	0.5645	0.5655	1
EP070920	7/16	x	9/16	0.4385	0.4395	0.5645	0.5655	1 1/4
AA515-1*	7/16	x	9/16	0.4380	0.4390	0.5640	0.5650	5/16
AA515-21*	7/16	x	9/16	0.4380	0.4390	0.5640	0.5650	3/8
AA515-2*	7/16	x	9/16	0.4380	0.4390	0.5640	0.5650	1/2
AA515-3*	7/16	x	9/16	0.4380	0.4390	0.5640	0.5650	5/8
AA515*	7/16	x	9/16	0.4380	0.4390	0.5640	0.5650	3/4
AA515-12*	7/16	x	9/16	0.4380	0.4390	0.5640	0.5650	13/16
AA515-6*	7/16	x	9/16	0.4380	0.4390	0.5640	0.5650	15/16
AA515-8*	7/16	x	9/16	0.4380	0.4390	0.5640	0.5650	1
EP071006	7/16	x	5/8	0.4385	0.4395	0.6270	0.6280	3/8
EP071008	7/16	x	5/8	0.4385	0.4395	0.6270	0.6280	1/2
EP071010	7/16	x	5/8	0.4385	0.4395	0.6270	0.6280	5/8
EP071012	7/16	x	5/8	0.4385	0.4395	0.6270	0.6280	3/4
EP071014	7/16	x	5/8	0.4385	0.4395	0.6270	0.6280	7/8

*When current inventory is depleted, these sizes will be supplied on special order basis only. Minimum order quantities may apply.

Length Size	Tolerance
-- to 1.495"	±0.005"
1.496" to 2.990"	±0.0075"
2.991" to 4.895"	±0.010"

If you require any further assistance, please call: 419-866-7000
or email: buntinginfo@buntingbearings.com



Powdered Metal SAE 841 Bronze Sleeve (Plain) Bearings

PART NUMBER	NOMINAL SIZES			I.D. Min.	I.D. Max.	O.D. Min.	O.D. Max.	LENGTH
	I.D.		O.D.					
EP071016	7/16	x	5/8	0.4385	0.4395	0.6270	0.6280	1
EP071020	7/16	x	5/8	0.4385	0.4395	0.6270	0.6280	1 1/4
EP071024	7/16	x	5/8	0.4385	0.4395	0.6270	0.6280	1 1/2
AA627-5	7/16	x	5/8	0.4380	0.4390	0.6260	0.6270	3/8
AA627-13	7/16	x	5/8	0.4380	0.4390	0.6260	0.6270	7/16
AA627-8	7/16	x	5/8	0.4380	0.4390	0.6260	0.6270	1/2
AA627-3*	7/16	x	5/8	0.4380	0.4390	0.6260	0.6270	5/8
AA627	7/16	x	5/8	0.4380	0.4390	0.6260	0.6270	3/4
AA627-4	7/16	x	5/8	0.4380	0.4390	0.6260	0.6270	1
AA627-1*	7/16	x	5/8	0.4380	0.4390	0.6260	0.6270	1 1/4
AA627-7*	7/16	x	5/8	0.4380	0.4390	0.6260	0.6270	1 1/2
EP071108	7/16	x	11/16	0.4385	0.4395	0.6895	0.6905	1/2
EP071116	7/16	x	11/16	0.4385	0.4395	0.6895	0.6905	1
EP071124	7/16	x	11/16	0.4385	0.4395	0.6895	0.6905	1 1/2
AA607-1	1/2	x	5/8	0.5015	0.5025	0.6280	0.6290	1/2
AA607-2	1/2	x	5/8	0.5015	0.5025	0.6280	0.6290	5/8
AA607-5	1/2	x	5/8	0.5015	0.5025	0.6280	0.6290	3/4
AA607-3	1/2	x	5/8	0.5015	0.5025	0.6280	0.6290	1
AA607-6	1/2	x	5/8	0.5015	0.5025	0.6280	0.6290	1 1/4
AA628-21	1/2	x	5/8	0.5005	0.5015	0.6270	0.6280	5/16
AA628-7	1/2	x	5/8	0.5005	0.5015	0.6270	0.6280	3/8
AA628-8	1/2	x	5/8	0.5005	0.5015	0.6270	0.6280	7/16
AA628-10	1/2	x	5/8	0.5005	0.5015	0.6270	0.6280	1/2
AA628-3	1/2	x	5/8	0.5005	0.5015	0.6270	0.6280	9/16
AA628-25	1/2	x	5/8	0.5005	0.5015	0.6270	0.6280	5/8
AA628-12	1/2	x	5/8	0.5005	0.5015	0.6270	0.6280	11/16
AA628-6	1/2	x	5/8	0.5005	0.5015	0.6270	0.6280	3/4
AA628-20	1/2	x	5/8	0.5005	0.5015	0.6270	0.6280	7/8
AA628	1/2	x	5/8	0.5005	0.5015	0.6270	0.6280	1
AA628-11	1/2	x	5/8	0.5005	0.5015	0.6270	0.6280	1 1/4
AA628-5	1/2	x	5/8	0.5005	0.5015	0.6270	0.6280	1 1/2
EP081005	1/2	x	5/8	0.5010	0.5020	0.6270	0.6280	5/16
EP081006	1/2	x	5/8	0.5010	0.5020	0.6270	0.6280	3/8
EP081007	1/2	x	5/8	0.5010	0.5020	0.6270	0.6280	7/16
EP081008	1/2	x	5/8	0.5010	0.5020	0.6270	0.6280	1/2
EP081009	1/2	x	5/8	0.5010	0.5020	0.6270	0.6280	9/16
EP081010	1/2	x	5/8	0.5010	0.5020	0.6270	0.6280	5/8
EP081011	1/2	x	5/8	0.5010	0.5020	0.6270	0.6280	11/16
EP081012	1/2	x	5/8	0.5010	0.5020	0.6270	0.6280	3/4
EP081014	1/2	x	5/8	0.5010	0.5020	0.6270	0.6280	7/8
EP081016	1/2	x	5/8	0.5010	0.5020	0.6270	0.6280	1
EP081018	1/2	x	5/8	0.5010	0.5020	0.6270	0.6280	1 1/8
EP081020	1/2	x	5/8	0.5010	0.5020	0.6270	0.6280	1 1/4
EP081024	1/2	x	5/8	0.5010	0.5020	0.6270	0.6280	1 1/2
AA634-4	1/2	x	5/8	0.5030	0.5040	0.6265	0.6275	1/2

*When current inventory is depleted, these sizes will be supplied on special order basis only. Minimum order quantities may apply.

Length Size	Tolerance
-- to 1.495"	±0.005"
1.496" to 2.990"	±0.0075"
2.991" to 4.895"	±0.010"



Powdered Metal SAE 841 Bronze Sleeve (Plain) Bearings

PART NUMBER	NOMINAL SIZES			I.D. Min.	I.D. Max.	O.D. Min.	O.D. Max.	LENGTH
	I.D.		O.D.					
AA634-5	1/2	x	5/8	0.5030	0.5040	0.6265	0.6275	1
EP081106	1/2	x	11/16	0.5010	0.5020	0.6895	0.6905	3/8
EP081108	1/2	x	11/16	0.5010	0.5020	0.6895	0.6905	1/2
EP081110	1/2	x	11/16	0.5010	0.5020	0.6895	0.6905	5/8
EP081112	1/2	x	11/16	0.5010	0.5020	0.6895	0.6905	3/4
EP081114	1/2	x	11/16	0.5010	0.5020	0.6895	0.6905	7/8
EP081116	1/2	x	11/16	0.5010	0.5020	0.6895	0.6905	1
EP081118	1/2	x	11/16	0.5010	0.5020	0.6895	0.6905	1 1/8
EP081120	1/2	x	11/16	0.5010	0.5020	0.6895	0.6905	1 1/4
EP081124	1/2	x	11/16	0.5010	0.5020	0.6895	0.6905	1 1/2
AA618-16	1/2	x	11/16	0.5030	0.5040	0.6890	0.6900	1/4
AA618-1	1/2	x	11/16	0.5030	0.5040	0.6890	0.6900	1/2
AA618-13*	1/2	x	11/16	0.5030	0.5040	0.6890	0.6900	9/16
AA618-12*	1/2	x	11/16	0.5030	0.5040	0.6890	0.6900	5/8
AA618-11	1/2	x	11/16	0.5030	0.5040	0.6890	0.6900	3/4
AA618-8*	1/2	x	11/16	0.5030	0.5040	0.6890	0.6900	7/8
AA618-6	1/2	x	11/16	0.5030	0.5040	0.6890	0.6900	1
AA618-2*	1/2	x	11/16	0.5030	0.5040	0.6890	0.6900	1 1/8
AA618-5*	1/2	x	11/16	0.5030	0.5040	0.6890	0.6900	1 3/8
AA650-4	1/2	x	11/16	0.5005	0.5015	0.6890	0.6900	3/8
AA650-1	1/2	x	11/16	0.5005	0.5015	0.6890	0.6900	1/2
AA650-6	1/2	x	11/16	0.5005	0.5015	0.6890	0.6900	9/16
AA650-9	1/2	x	11/16	0.5005	0.5015	0.6890	0.6900	5/8
AA650	1/2	x	11/16	0.5005	0.5015	0.6890	0.6900	3/4
AA650-7*	1/2	x	11/16	0.5005	0.5015	0.6890	0.6900	7/8
AA650-2	1/2	x	11/16	0.5005	0.5015	0.6890	0.6900	1
AA650-5*	1/2	x	11/16	0.5005	0.5015	0.6890	0.6900	1 1/8
AA650-12*	1/2	x	11/16	0.5005	0.5015	0.6890	0.6900	1 1/4
AA650-3*	1/2	x	11/16	0.5005	0.5015	0.6890	0.6900	1 1/2
AA631-13	1/2	x	11/16	0.5015	0.5025	0.6880	0.6890	3/8
AA631	1/2	x	11/16	0.5015	0.5025	0.6880	0.6890	3/4
AA631-1*	1/2	x	11/16	0.5015	0.5025	0.6880	0.6890	1 1/4
AA744-5	1/2	x	3/4	0.5015	0.5025	0.7520	0.7530	1/2
AA744-9	1/2	x	3/4	0.5015	0.5025	0.7520	0.7530	5/8
AA744-4	1/2	x	3/4	0.5015	0.5025	0.7520	0.7530	3/4
AA744-10	1/2	x	3/4	0.5015	0.5025	0.7520	0.7530	7/8
AA744-3	1/2	x	3/4	0.5015	0.5025	0.7520	0.7530	1
AA744	1/2	x	3/4	0.5015	0.5025	0.7520	0.7530	1 1/4
AA744-1	1/2	x	3/4	0.5015	0.5025	0.7520	0.7530	1 1/2
AA744-2	1/2	x	3/4	0.5015	0.5025	0.7520	0.7530	1 3/4
EP081206	1/2	x	3/4	0.5010	0.5020	0.7520	0.7530	3/8
EP081208	1/2	x	3/4	0.5010	0.5020	0.7520	0.7530	1/2
EP081210	1/2	x	3/4	0.5010	0.5020	0.7520	0.7530	5/8
EP081212	1/2	x	3/4	0.5010	0.5020	0.7520	0.7530	3/4
EP081214	1/2	x	3/4	0.5010	0.5020	0.7520	0.7530	7/8

*When current inventory is depleted, these sizes will be supplied on special order basis only. Minimum order quantities may apply.

Length Size	Tolerance
-- to 1.495"	±0.005"
1.496" to 2.990"	±0.0075"
2.991" to 4.895"	±0.010"

If you require any further assistance, please call: 419-866-7000
or email: buntinginfo@buntingbearings.com



Powdered Metal SAE 841 Bronze Sleeve (Plain) Bearings

PART NUMBER	NOMINAL SIZES			I.D. Min.	I.D. Max.	O.D. Min.	O.D. Max.	LENGTH
	I.D.		O.D.					
EP081216	1/2	x	3/4	0.5010	0.5020	0.7520	0.7530	1
EP081218	1/2	x	3/4	0.5010	0.5020	0.7520	0.7530	1 1/8
EP081220	1/2	x	3/4	0.5010	0.5020	0.7520	0.7530	1 1/4
EP081224	1/2	x	3/4	0.5010	0.5020	0.7520	0.7530	1 1/2
EP081228	1/2	x	3/4	0.5010	0.5020	0.7520	0.7530	1 3/4
EP081232	1/2	x	3/4	0.5010	0.5020	0.7520	0.7530	2
AA742-1	1/2	x	3/4	0.4995	0.5005	0.7510	0.7520	1/2
AA742-2	1/2	x	3/4	0.4995	0.5005	0.7510	0.7520	3/4
AA742	1/2	x	3/4	0.4995	0.5005	0.7510	0.7520	1
AA742-4	1/2	x	3/4	0.4995	0.5005	0.7510	0.7520	1 1/8
AA742-3	1/2	x	3/4	0.4995	0.5005	0.7510	0.7520	1 1/4
AA753	1/2	x	3/4	0.5005	0.5015	0.7510	0.7520	1/2
AA753-1*	1/2	x	3/4	0.5005	0.5015	0.7510	0.7520	9/16
AA753-5	1/2	x	3/4	0.5005	0.5015	0.7510	0.7520	3/4
AA753-2	1/2	x	3/4	0.5005	0.5015	0.7510	0.7520	1
AA753-4*	1/2	x	3/4	0.5005	0.5015	0.7510	0.7520	1 1/2
EP081308	1/2	x	13/16	0.5010	0.5020	0.8155	0.8165	1/2
EP081312	1/2	x	13/16	0.5010	0.5020	0.8155	0.8165	3/4
EP081316	1/2	x	13/16	0.5010	0.5020	0.8155	0.8165	1
EP081324	1/2	x	13/16	0.5010	0.5020	0.8155	0.8165	1 1/2
AA886-3*	1/2	x	13/16	0.5000	0.5010	0.8140	0.8150	3/4
AA886-1*	1/2	x	13/16	0.5000	0.5010	0.8140	0.8150	1
AA886-4*	1/2	x	13/16	0.5000	0.5010	0.8140	0.8150	1 1/2
EP081408	1/2	x	7/8	0.5010	0.5020	0.8780	0.8790	1/2
EP081410	1/2	x	7/8	0.5010	0.5020	0.8780	0.8790	5/8
EP081412	1/2	x	7/8	0.5010	0.5020	0.8780	0.8790	3/4
EP081414	1/2	x	7/8	0.5010	0.5020	0.8780	0.8790	7/8
EP081416	1/2	x	7/8	0.5010	0.5020	0.8780	0.8790	1
EP081420	1/2	x	7/8	0.5010	0.5020	0.8780	0.8790	1 1/4
EP081424	1/2	x	7/8	0.5010	0.5020	0.8780	0.8790	1 1/2
AA842-7	1/2	x	7/8	0.5020	0.5030	0.8780	0.8790	1/2
AA842-4	1/2	x	7/8	0.5020	0.5030	0.8780	0.8790	3/4
AA842-3	1/2	x	7/8	0.5020	0.5030	0.8780	0.8790	1
AA842-2*	1/2	x	7/8	0.5020	0.5030	0.8780	0.8790	1 1/4
AA842	1/2	x	7/8	0.5020	0.5030	0.8780	0.8790	1 1/2
EP081612	1/2	x	1	0.5010	0.5020	1.0030	1.0040	3/4
EP081616	1/2	x	1	0.5010	0.5020	1.0030	1.0040	1
EP081624	1/2	x	1	0.5010	0.5020	1.0030	1.0040	1 1/2
EP081632	1/2	x	1	0.5010	0.5020	1.0030	1.0040	2
AA620-3*	9/16	x	11/16	0.5625	0.5635	0.6900	0.6910	7/16
AA620-7	9/16	x	11/16	0.5625	0.5635	0.6900	0.6910	1/2
AA620-8	9/16	x	11/16	0.5625	0.5635	0.6900	0.6910	5/8
AA620-1	9/16	x	11/16	0.5625	0.5635	0.6900	0.6910	3/4
AA620	9/16	x	11/16	0.5625	0.5635	0.6900	0.6910	1
AA620-5*	9/16	x	11/16	0.5625	0.5635	0.6900	0.6910	1 1/4

*When current inventory is depleted, these sizes will be supplied on special order basis only. Minimum order quantities may apply.

Length Size	Tolerance
-- to 1.495"	±0.005"
1.496" to 2.990"	±0.0075"
2.991" to 4.895"	±0.010"



Powdered Metal SAE 841 Bronze Sleeve (Plain) Bearings

PART NUMBER	NOMINAL SIZES			I.D. Min.	I.D. Max.	O.D. Min.	O.D. Max.	LENGTH
	I.D.		O.D.					
EP091108	9/16	x	11/16	0.5635	0.5645	0.6895	0.6905	1/2
EP091110*	9/16	x	11/16	0.5635	0.5645	0.6895	0.6905	5/8
EP091112	9/16	x	11/16	0.5635	0.5645	0.6895	0.6905	3/4
EP091116	9/16	x	11/16	0.5635	0.5645	0.6895	0.6905	1
EP091120	9/16	x	11/16	0.5635	0.5645	0.6895	0.6905	1 1/4
EP091124	9/16	x	11/16	0.5635	0.5645	0.6895	0.6905	1 1/2
AA711-6	9/16	x	3/4	0.5625	0.5635	0.7525	0.7535	5/8
AA711-1	9/16	x	3/4	0.5625	0.5635	0.7525	0.7535	3/4
AA711-3	9/16	x	3/4	0.5625	0.5635	0.7525	0.7535	1
AA711-5	9/16	x	3/4	0.5625	0.5635	0.7525	0.7535	1 1/4
AA711*	9/16	x	3/4	0.5625	0.5635	0.7525	0.7535	1 3/8
AA711-2*	9/16	x	3/4	0.5625	0.5635	0.7525	0.7535	1 1/2
AA709-7*	9/16	x	3/4	0.5650	0.5660	0.7520	0.7530	1/2
AA709-8*	9/16	x	3/4	0.5650	0.5660	0.7520	0.7530	3/4
AA709*	9/16	x	3/4	0.5650	0.5660	0.7520	0.7530	1
AA709-5*	9/16	x	3/4	0.5650	0.5660	0.7520	0.7530	1 1/4
AA709-6*	9/16	x	3/4	0.5650	0.5660	0.7520	0.7530	1 1/2
EP091208	9/16	x	3/4	0.5635	0.5645	0.7520	0.7530	1/2
EP091212	9/16	x	3/4	0.5635	0.5645	0.7520	0.7530	3/4
EP091216	9/16	x	3/4	0.5635	0.5645	0.7520	0.7530	1
EP091220	9/16	x	3/4	0.5635	0.5645	0.7520	0.7530	1 1/4
EP091224	9/16	x	3/4	0.5635	0.5645	0.7520	0.7530	1 1/2
EP091308	9/16	x	13/16	0.5635	0.5645	0.8155	0.8165	1/2
EP091312	9/16	x	13/16	0.5635	0.5645	0.8155	0.8165	3/4
EP091316	9/16	x	13/16	0.5635	0.5645	0.8155	0.8165	1
EP091320	9/16	x	13/16	0.5635	0.5645	0.8155	0.8165	1 1/4
EP091324	9/16	x	13/16	0.5635	0.5645	0.8155	0.8165	1 1/2
AA807-3	9/16	x	13/16	0.5620	0.5630	0.8140	0.8150	3/4
AA807-2	9/16	x	13/16	0.5620	0.5630	0.8140	0.8150	1
AA807-4*	9/16	x	13/16	0.5620	0.5630	0.8140	0.8150	1 1/4
AA863-3*	9/16	x	7/8	0.5660	0.5670	0.8760	0.8770	1
AA863*	9/16	x	7/8	0.5660	0.5670	0.8760	0.8770	1 3/8
AA710-13	5/8	x	3/4	0.6260	0.6270	0.7520	0.7530	3/8
AA710-27	5/8	x	3/4	0.6260	0.6270	0.7520	0.7530	1/2
AA710-19	5/8	x	3/4	0.6260	0.6270	0.7520	0.7530	5/8
AA710-6	5/8	x	3/4	0.6260	0.6270	0.7520	0.7530	3/4
AA710-16	5/8	x	3/4	0.6260	0.6270	0.7520	0.7530	7/8
AA710-3	5/8	x	3/4	0.6260	0.6270	0.7520	0.7530	1
AA710-8	5/8	x	3/4	0.6260	0.6270	0.7520	0.7530	1 1/8
AA710-5	5/8	x	3/4	0.6260	0.6270	0.7520	0.7530	1 1/4
AA710-4	5/8	x	3/4	0.6260	0.6270	0.7520	0.7530	1 1/2
AA724-8	5/8	x	3/4	0.6250	0.6260	0.7520	0.7530	1/2
AA724-2	5/8	x	3/4	0.6250	0.6260	0.7520	0.7530	7/8
AA724-3	5/8	x	3/4	0.6250	0.6260	0.7520	0.7530	1
AA724*	5/8	x	3/4	0.6250	0.6260	0.7520	0.7530	1 1/8

*When current inventory is depleted, these sizes will be supplied on special order basis only. Minimum order quantities may apply.

Length Size	Tolerance
-- to 1.495"	±0.005"
1.496" to 2.990"	±0.0075"
2.991" to 4.895"	±0.010"



Powdered Metal SAE 841 Bronze Sleeve (Plain) Bearings

PART NUMBER	NOMINAL SIZES			I.D. Min.	I.D. Max.	O.D. Min.	O.D. Max.	LENGTH
	I.D.		O.D.					
AA724-5	5/8	x	3/4	0.6250	0.6260	0.7520	0.7530	1 1/4
EP101206	5/8	x	3/4	0.6260	0.6270	0.7520	0.7530	3/8
EP101208	5/8	x	3/4	0.6260	0.6270	0.7520	0.7530	1/2
EP101210	5/8	x	3/4	0.6260	0.6270	0.7520	0.7530	5/8
EP101212	5/8	x	3/4	0.6260	0.6270	0.7520	0.7530	3/4
EP101214	5/8	x	3/4	0.6260	0.6270	0.7520	0.7530	7/8
EP101216	5/8	x	3/4	0.6260	0.6270	0.7520	0.7530	1
EP101218	5/8	x	3/4	0.6260	0.6270	0.7520	0.7530	1 1/8
EP101220	5/8	x	3/4	0.6260	0.6270	0.7520	0.7530	1 1/4
EP101224	5/8	x	3/4	0.6260	0.6270	0.7520	0.7530	1 1/2
AA741	5/8	x	3/4	0.6260	0.6270	0.7510	0.7520	1/2
AA741-1	5/8	x	3/4	0.6260	0.6270	0.7510	0.7520	5/8
AA741-4	5/8	x	3/4	0.6260	0.6270	0.7510	0.7520	3/4
EP101308	5/8	x	13/16	0.6260	0.6270	0.8155	0.8165	1/2
EP101310	5/8	x	13/16	0.6260	0.6270	0.8155	0.8165	5/8
EP101312	5/8	x	13/16	0.6260	0.6270	0.8155	0.8165	3/4
EP101314	5/8	x	13/16	0.6260	0.6270	0.8155	0.8165	7/8
EP101316	5/8	x	13/16	0.6260	0.6270	0.8155	0.8165	1
EP101320	5/8	x	13/16	0.6260	0.6270	0.8155	0.8165	1 1/4
EP101324	5/8	x	13/16	0.6260	0.6270	0.8155	0.8165	1 1/2
EP101328	5/8	x	13/16	0.6260	0.6270	0.8155	0.8165	1 3/4
AA814-3	5/8	x	13/16	0.6270	0.6280	0.8145	0.8155	5/8
AA814-2	5/8	x	13/16	0.6270	0.6280	0.8145	0.8155	3/4
AA814	5/8	x	13/16	0.6270	0.6280	0.8145	0.8155	1
AA814-5	5/8	x	13/16	0.6270	0.6280	0.8145	0.8155	1 1/4
AA810-4*	5/8	x	13/16	0.6240	0.6250	0.8140	0.8150	1/2
AA810-2*	5/8	x	13/16	0.6240	0.6250	0.8140	0.8150	5/8
AA810-10*	5/8	x	13/16	0.6240	0.6250	0.8140	0.8150	3/4
AA810-1*	5/8	x	13/16	0.6240	0.6250	0.8140	0.8150	7/8
AA810-7*	5/8	x	13/16	0.6240	0.6250	0.8140	0.8150	1
AA810-11*	5/8	x	13/16	0.6240	0.6250	0.8140	0.8150	1 1/4
AA810*	5/8	x	13/16	0.6240	0.6250	0.8140	0.8150	1 3/8
AA810-12*	5/8	x	13/16	0.6240	0.6250	0.8140	0.8150	1 1/2
AA811-7*	5/8	x	13/16	0.6260	0.6270	0.8140	0.8150	3/4
AA811-6*	5/8	x	13/16	0.6260	0.6270	0.8140	0.8150	1
AA811-2*	5/8	x	13/16	0.6260	0.6270	0.8140	0.8150	1 1/4
AA811-5*	5/8	x	13/16	0.6260	0.6270	0.8140	0.8150	1 3/8
AA811-3*	5/8	x	13/16	0.6260	0.6270	0.8140	0.8150	1 1/2
AA811-1*	5/8	x	13/16	0.6260	0.6270	0.8140	0.8150	1 3/4
AA811*	5/8	x	13/16	0.6260	0.6270	0.8140	0.8150	2
EP101408	5/8	x	7/8	0.6260	0.6270	0.8780	0.8790	1/2
EP101410	5/8	x	7/8	0.6260	0.6270	0.8780	0.8790	5/8
EP101412	5/8	x	7/8	0.6260	0.6270	0.8780	0.8790	3/4
EP101414	5/8	x	7/8	0.6260	0.6270	0.8780	0.8790	7/8
EP101416	5/8	x	7/8	0.6260	0.6270	0.8780	0.8790	1

*When current inventory is depleted, these sizes will be supplied on special order basis only. Minimum order quantities may apply.

Length Size	Tolerance
-- to 1.495"	±0.005"
1.496" to 2.990"	±0.0075"
2.991" to 4.895"	±0.010"



Powdered Metal SAE 841 Bronze Sleeve (Plain) Bearings

PART NUMBER	NOMINAL SIZES			I.D. Min.	I.D. Max.	O.D. Min.	O.D. Max.	LENGTH
	I.D.		O.D.					
EP101418	5/8	x	7/8	0.6260	0.6270	0.8780	0.8790	1 1/8
EP101420	5/8	x	7/8	0.6260	0.6270	0.8780	0.8790	1 1/4
EP101424	5/8	x	7/8	0.6260	0.6270	0.8780	0.8790	1 1/2
EP101428	5/8	x	7/8	0.6260	0.6270	0.8780	0.8790	1 3/4
EP101432	5/8	x	7/8	0.6260	0.6270	0.8780	0.8790	2
AA832-11	5/8	x	7/8	0.6260	0.6270	0.8770	0.8780	1/2
AA832-12	5/8	x	7/8	0.6260	0.6270	0.8770	0.8780	5/8
AA832-6	5/8	x	7/8	0.6260	0.6270	0.8770	0.8780	3/4
AA832-8*	5/8	x	7/8	0.6260	0.6270	0.8770	0.8780	7/8
AA832-1	5/8	x	7/8	0.6260	0.6270	0.8770	0.8780	1
AA832-13	5/8	x	7/8	0.6260	0.6270	0.8770	0.8780	1 1/8
AA832-4	5/8	x	7/8	0.6260	0.6270	0.8770	0.8780	1 1/4
AA832-2*	5/8	x	7/8	0.6260	0.6270	0.8770	0.8780	1 3/8
AA832-5	5/8	x	7/8	0.6260	0.6270	0.8770	0.8780	1 1/2
AA832-9	5/8	x	7/8	0.6260	0.6270	0.8770	0.8780	1 5/8
AA832-18	5/8	x	7/8	0.6260	0.6270	0.8770	0.8780	2
AA880-4*	5/8	x	7/8	0.6240	0.6250	0.8760	0.8770	1/2
AA880-2*	5/8	x	7/8	0.6240	0.6250	0.8760	0.8770	3/4
AA880-1*	5/8	x	7/8	0.6240	0.6250	0.8760	0.8770	1
AA880*	5/8	x	7/8	0.6240	0.6250	0.8760	0.8770	1 1/2
EP101510*	5/8	x	15/16	0.6260	0.6270	0.9405	0.9415	5/8
EP101512	5/8	x	15/16	0.6260	0.6270	0.9405	0.9415	3/4
EP101516	5/8	x	15/16	0.6260	0.6270	0.9405	0.9415	1
AA946-4	5/8	x	15/16	0.6270	0.6280	0.9390	0.9400	5/8
AA946-2	5/8	x	15/16	0.6270	0.6280	0.9390	0.9400	3/4
AA946-1	5/8	x	15/16	0.6270	0.6280	0.9390	0.9400	1
EP101608	5/8	x	1	0.6260	0.6270	1.0030	1.0040	1/2
EP101610	5/8	x	1	0.6260	0.6270	1.0030	1.0040	5/8
EP101612	5/8	x	1	0.6260	0.6270	1.0030	1.0040	3/4
EP101616	5/8	x	1	0.6260	0.6270	1.0030	1.0040	1
EP101620	5/8	x	1	0.6260	0.6270	1.0030	1.0040	1 1/4
EP101624	5/8	x	1	0.6260	0.6270	1.0030	1.0040	1 1/2
EP101628	5/8	x	1	0.6260	0.6270	1.0030	1.0040	1 3/4
EP101632	5/8	x	1	0.6260	0.6270	1.0030	1.0040	2
AA1011-12	5/8	x	1	0.6270	0.6280	1.0025	1.0035	3/4
AA1011-5	5/8	x	1	0.6270	0.6280	1.0025	1.0035	7/8
AA1011-3	5/8	x	1	0.6270	0.6280	1.0025	1.0035	1
AA1011-4	5/8	x	1	0.6270	0.6280	1.0025	1.0035	1 1/8
AA1011-1	5/8	x	1	0.6270	0.6280	1.0025	1.0035	1 1/4
AA1011-13	5/8	x	1	0.6270	0.6280	1.0025	1.0035	1 3/8
AA1011	5/8	x	1	0.6270	0.6280	1.0025	1.0035	1 1/2
AA812-1*	11/16	x	13/16	0.6875	0.6885	0.8140	0.8150	1
AA812*	11/16	x	13/16	0.6875	0.6885	0.8140	0.8150	1 1/4
EP111412	11/16	x	7/8	0.6885	0.6895	0.8780	0.8790	3/4
EP111416	11/16	x	7/8	0.6885	0.6895	0.8780	0.8790	1

*When current inventory is depleted, these sizes will be supplied on special order basis only. Minimum order quantities may apply.

Length Size	Tolerance
-- to 1.495"	+0.005"
1.496" to 2.990"	+0.0075"
2.991" to 4.895"	+0.010"

If you require any further assistance, please call: 419-866-7000
or email: buntinginfo@buntingbearings.com



Powdered Metal SAE 841 Bronze Sleeve (Plain) Bearings

PART NUMBER	NOMINAL SIZES			I.D. Min.	I.D. Max.	O.D. Min.	O.D. Max.	LENGTH
	I.D.		O.D.					
EP111420	11/16	x	7/8	0.6885	0.6895	0.8780	0.8790	1 1/4
EP111424	11/16	x	7/8	0.6885	0.6895	0.8780	0.8790	1 1/2
EP111428*	11/16	x	7/8	0.6885	0.6895	0.8780	0.8790	1 3/4
EP111432	11/16	x	7/8	0.6885	0.6895	0.8780	0.8790	2
AA851-2*	11/16	x	7/8	0.6890	0.6900	0.8770	0.8780	1/2
AA851-7*	11/16	x	7/8	0.6890	0.6900	0.8770	0.8780	3/4
AA851-8*	11/16	x	7/8	0.6890	0.6900	0.8770	0.8780	1
AA851-6*	11/16	x	7/8	0.6890	0.6900	0.8770	0.8780	1 1/8
AA851-1*	11/16	x	7/8	0.6890	0.6900	0.8770	0.8780	1 1/4
AA939-3	11/16	x	15/16	0.6880	0.6890	0.9400	0.9410	1
AA939-2*	11/16	x	15/16	0.6880	0.6890	0.9400	0.9410	1 1/4
AA939-4	11/16	x	15/16	0.6880	0.6890	0.9400	0.9410	1 1/2
EP121408	3/4	x	7/8	0.7510	0.7520	0.8780	0.8790	1/2
EP121409*	3/4	x	7/8	0.7510	0.7520	0.8780	0.8790	9/16
EP121410	3/4	x	7/8	0.7510	0.7520	0.8780	0.8790	5/8
EP121411	3/4	x	7/8	0.7510	0.7520	0.8780	0.8790	11/16
EP121412	3/4	x	7/8	0.7510	0.7520	0.8780	0.8790	3/4
EP121414	3/4	x	7/8	0.7510	0.7520	0.8780	0.8790	7/8
EP121416	3/4	x	7/8	0.7510	0.7520	0.8780	0.8790	1
EP121418	3/4	x	7/8	0.7510	0.7520	0.8780	0.8790	1 1/8
EP121420	3/4	x	7/8	0.7510	0.7520	0.8780	0.8790	1 1/4
EP121424	3/4	x	7/8	0.7510	0.7520	0.8780	0.8790	1 1/2
EP121426	3/4	x	7/8	0.7510	0.7520	0.8780	0.8790	1 5/8
AA838-9	3/4	x	7/8	0.7500	0.7510	0.8770	0.8780	9/16
AA838-25	3/4	x	7/8	0.7500	0.7510	0.8770	0.8780	5/8
AA838-16	3/4	x	7/8	0.7500	0.7510	0.8770	0.8780	3/4
AA838-6	3/4	x	7/8	0.7500	0.7510	0.8770	0.8780	7/8
AA838-7	3/4	x	7/8	0.7500	0.7510	0.8770	0.8780	1
AA838-13	3/4	x	7/8	0.7500	0.7510	0.8770	0.8780	1 1/8
AA838-5	3/4	x	7/8	0.7500	0.7510	0.8770	0.8780	1 1/4
AA838-15	3/4	x	7/8	0.7500	0.7510	0.8770	0.8780	1 3/8
AA838-4	3/4	x	7/8	0.7500	0.7510	0.8770	0.8780	1 1/2
AA838-8*	3/4	x	7/8	0.7500	0.7510	0.8770	0.8780	1 5/8
AA839-1	3/4	x	7/8	0.7520	0.7530	0.8770	0.8780	5/8
AA839-3	3/4	x	7/8	0.7520	0.7530	0.8770	0.8780	11/16
AA839-6	3/4	x	7/8	0.7520	0.7530	0.8770	0.8780	3/4
AA839-13	3/4	x	7/8	0.7520	0.7530	0.8770	0.8780	1
AA839-2	3/4	x	7/8	0.7520	0.7530	0.8770	0.8780	1 1/8
AA839-4	3/4	x	7/8	0.7520	0.7530	0.8770	0.8780	1 1/4
AA839-7	3/4	x	7/8	0.7520	0.7530	0.8770	0.8780	1 1/2
AA885*	3/4	x	7/8	0.7510	0.7520	0.8770	0.8780	3/4
AA885-3*	3/4	x	7/8	0.7510	0.7520	0.8770	0.8780	1
AA885-4*	3/4	x	7/8	0.7510	0.7520	0.8770	0.8780	1 1/4
AA912	3/4	x	15/16	0.7510	0.7520	0.9410	0.9420	1
AA912-4*	3/4	x	15/16	0.7510	0.7520	0.9410	0.9420	1 1/4

*When current inventory is depleted, these sizes will be supplied on special order basis only. Minimum order quantities may apply.

Length Size	Tolerance
-- to 1.495"	±0.005"
1.496" to 2.990"	±0.0075"
2.991" to 4.895"	±0.010"



Powdered Metal SAE 841 Bronze Sleeve (Plain) Bearings

PART NUMBER	NOMINAL SIZES			I.D. Min.	I.D. Max.	O.D. Min.	O.D. Max.	LENGTH
	I.D.		O.D.					
AA912-1	3/4	x	15/16	0.7510	0.7520	0.9410	0.9420	1 3/8
AA912-6	3/4	x	15/16	0.7510	0.7520	0.9410	0.9420	1 1/2
AA912-2*	3/4	x	15/16	0.7510	0.7520	0.9410	0.9420	1 5/8
AA912-7*	3/4	x	15/16	0.7510	0.7520	0.9410	0.9420	1 3/4
EP121508	3/4	x	15/16	0.7510	0.7520	0.9405	0.9415	1/2
EP121510	3/4	x	15/16	0.7510	0.7520	0.9405	0.9415	5/8
EP121512	3/4	x	15/16	0.7510	0.7520	0.9405	0.9415	3/4
EP121514	3/4	x	15/16	0.7510	0.7520	0.9405	0.9415	7/8
EP121516	3/4	x	15/16	0.7510	0.7520	0.9405	0.9415	1
EP121518	3/4	x	15/16	0.7510	0.7520	0.9405	0.9415	1 1/8
EP121520	3/4	x	15/16	0.7510	0.7520	0.9405	0.9415	1 1/4
EP121524	3/4	x	15/16	0.7510	0.7520	0.9405	0.9415	1 1/2
EP121528	3/4	x	15/16	0.7510	0.7520	0.9405	0.9415	1 3/4
EP121532	3/4	x	15/16	0.7510	0.7520	0.9405	0.9415	2
AA921-5	3/4	x	15/16	0.7505	0.7515	0.9390	0.9400	3/4
AA921-4*	3/4	x	15/16	0.7505	0.7515	0.9390	0.9400	1
AA921-2*	3/4	x	15/16	0.7505	0.7515	0.9390	0.9400	1 1/8
AA921-3*	3/4	x	15/16	0.7505	0.7515	0.9390	0.9400	1 1/4
AA921-1*	3/4	x	15/16	0.7505	0.7515	0.9390	0.9400	1 1/2
AA921*	3/4	x	15/16	0.7505	0.7515	0.9390	0.9400	1 3/4
AA921-6*	3/4	x	15/16	0.7505	0.7515	0.9390	0.9400	2
EP121608	3/4	x	1	0.7510	0.7520	1.0030	1.0040	1/2
EP121610	3/4	x	1	0.7510	0.7520	1.0030	1.0040	5/8
EP121612	3/4	x	1	0.7510	0.7520	1.0030	1.0040	3/4
EP121614	3/4	x	1	0.7510	0.7520	1.0030	1.0040	7/8
EP121616	3/4	x	1	0.7510	0.7520	1.0030	1.0040	1
EP121618	3/4	x	1	0.7510	0.7520	1.0030	1.0040	1 1/8
EP121620	3/4	x	1	0.7510	0.7520	1.0030	1.0040	1 1/4
EP121624	3/4	x	1	0.7510	0.7520	1.0030	1.0040	1 1/2
EP121628	3/4	x	1	0.7510	0.7520	1.0030	1.0040	1 3/4
EP121632	3/4	x	1	0.7510	0.7520	1.0030	1.0040	2
EP121640	3/4	x	1	0.7510	0.7520	1.0030	1.0040	2 1/2
AA1043-6	3/4	x	1	0.7520	0.7530	1.0020	1.0030	3/4
AA1043-8	3/4	x	1	0.7520	0.7530	1.0020	1.0030	7/8
AA1043-9	3/4	x	1	0.7520	0.7530	1.0020	1.0030	1
AA1043	3/4	x	1	0.7520	0.7530	1.0020	1.0030	1 1/4
AA1043-4	3/4	x	1	0.7520	0.7530	1.0020	1.0030	1 1/2
AA1005-5	3/4	x	1	0.7495	0.7505	1.0015	1.0025	3/4
AA1005-7	3/4	x	1	0.7495	0.7505	1.0015	1.0025	1
AA1005-38	3/4	x	1	0.7495	0.7505	1.0015	1.0025	1 1/8
AA1005-2	3/4	x	1	0.7495	0.7505	1.0015	1.0025	1 1/4
AA1005-4	3/4	x	1	0.7495	0.7505	1.0015	1.0025	1 1/2
AA1049-18	3/4	x	1	0.7510	0.7520	1.0015	1.0025	3/8
AA1049-14	3/4	x	1	0.7510	0.7520	1.0015	1.0025	1/2
AA1049-1	3/4	x	1	0.7510	0.7520	1.0015	1.0025	3/4

*When current inventory is depleted, these sizes will be supplied on special order basis only. Minimum order quantities may apply.

Length Size	Tolerance
-- to 1.495"	±0.005"
1.496" to 2.990"	±0.0075"
2.991" to 4.895"	±0.010"

If you require any further assistance, please call: 419-866-7000
or email: buntinginfo@buntingbearings.com



Powdered Metal SAE 841 Bronze Sleeve (Plain) Bearings

PART NUMBER	NOMINAL SIZES			I.D. Min.	I.D. Max.	O.D. Min.	O.D. Max.	LENGTH
	I.D.		O.D.					
AA1049-2	3/4	x	1	0.7510	0.7520	1.0015	1.0025	7/8
AA1049-3	3/4	x	1	0.7510	0.7520	1.0015	1.0025	1
AA1049-16	3/4	x	1	0.7510	0.7520	1.0015	1.0025	1 1/8
AA1049	3/4	x	1	0.7510	0.7520	1.0015	1.0025	1 1/4
AA1049-17	3/4	x	1	0.7510	0.7520	1.0015	1.0025	1 3/8
AA1049-4	3/4	x	1	0.7510	0.7520	1.0015	1.0025	1 1/2
AA1049-9	3/4	x	1	0.7510	0.7520	1.0015	1.0025	1 3/4
AA1049-5	3/4	x	1	0.7510	0.7520	1.0015	1.0025	2
AA1049-11	3/4	x	1	0.7510	0.7520	1.0015	1.0025	2 1/8
AA1049-12	3/4	x	1	0.7510	0.7520	1.0015	1.0025	2 1/4
AA1049-6	3/4	x	1	0.7510	0.7520	1.0015	1.0025	2 1/2
AA1039*	3/4	x	1 1/16	0.7500	0.7510	1.0635	1.0645	1
AA1039-2*	3/4	x	1 1/16	0.7500	0.7510	1.0635	1.0645	1 1/4
AA1130-3*	3/4	x	1 1/8	0.7490	0.7500	1.1280	1.1290	3/4
AA1130*	3/4	x	1 1/8	0.7490	0.7500	1.1280	1.1290	1 1/4
EP121808	3/4	x	1 1/8	0.7510	0.7520	1.1280	1.1290	1/2
EP121812	3/4	x	1 1/8	0.7510	0.7520	1.1280	1.1290	3/4
EP121816	3/4	x	1 1/8	0.7510	0.7520	1.1280	1.1290	1
EP121820	3/4	x	1 1/8	0.7510	0.7520	1.1280	1.1290	1 1/4
EP121824	3/4	x	1 1/8	0.7510	0.7520	1.1280	1.1290	1 1/2
EP121828	3/4	x	1 1/8	0.7510	0.7520	1.1280	1.1290	1 3/4
EP121832	3/4	x	1 1/8	0.7510	0.7520	1.1280	1.1290	2
AA1106-2	3/4	x	1 1/8	0.7520	0.7530	1.1270	1.1280	3/4
AA1106-4	3/4	x	1 1/8	0.7520	0.7530	1.1270	1.1280	1
AA1106-3*	3/4	x	1 1/8	0.7520	0.7530	1.1270	1.1280	1 1/4
AA1106-13*	3/4	x	1 1/8	0.7520	0.7530	1.1270	1.1280	1 3/8
AA1106	3/4	x	1 1/8	0.7520	0.7530	1.1270	1.1280	1 1/2
AA1106-1	3/4	x	1 1/8	0.7520	0.7530	1.1270	1.1280	1 3/4
EP122012	3/4	x	1 1/4	0.7510	0.7520	1.2530	1.2540	3/4
EP122016	3/4	x	1 1/4	0.7510	0.7520	1.2530	1.2540	1
EP122020	3/4	x	1 1/4	0.7510	0.7520	1.2530	1.2540	1 1/4
EP122024	3/4	x	1 1/4	0.7510	0.7520	1.2530	1.2540	1 1/2
AA1257*	3/4	x	1 1/4	0.7520	0.7530	1.2520	1.2530	1
AA1257-1*	3/4	x	1 1/4	0.7520	0.7530	1.2520	1.2530	1 1/4
AA1257-2	3/4	x	1 1/4	0.7520	0.7530	1.2520	1.2530	1 1/2
AA1041-2*	13/16	x	1	0.8135	0.8145	1.0020	1.0030	7/8
AA1041-5*	13/16	x	1	0.8135	0.8145	1.0020	1.0030	1
AA1041-6*	13/16	x	1	0.8135	0.8145	1.0020	1.0030	1 1/4
AA1056-5*	13/16	x	1	0.8125	0.8135	1.0020	1.0030	1
AA1056-3*	13/16	x	1	0.8125	0.8135	1.0020	1.0030	1 1/4
AA1056*	13/16	x	1	0.8125	0.8135	1.0020	1.0030	1 3/4
EP141606	7/8	x	1	0.8760	0.8770	1.0030	1.0040	3/8
EP141608	7/8	x	1	0.8760	0.8770	1.0030	1.0040	1/2
EP141610	7/8	x	1	0.8760	0.8770	1.0030	1.0040	5/8
EP141612	7/8	x	1	0.8760	0.8770	1.0030	1.0040	3/4

*When current inventory is depleted, these sizes will be supplied on special order basis only. Minimum order quantities may apply.

Length Size	Tolerance
-- to 1.495"	±0.005"
1.496" to 2.990"	±0.0075"
2.991" to 4.895"	±0.010"



Powdered Metal SAE 841 Bronze Sleeve (Plain) Bearings

PART NUMBER	NOMINAL SIZES			I.D. Min.	I.D. Max.	O.D. Min.	O.D. Max.	LENGTH
	I.D.		O.D.					
EP141614	7/8	x	1	0.8760	0.8770	1.0030	1.0040	7/8
EP141616	7/8	x	1	0.8760	0.8770	1.0030	1.0040	1
EP141620	7/8	x	1	0.8760	0.8770	1.0030	1.0040	1 1/4
EP141624	7/8	x	1	0.8760	0.8770	1.0030	1.0040	1 1/2
EP141628	7/8	x	1	0.8760	0.8770	1.0030	1.0040	1 3/4
AA1008-11	7/8	x	1	0.8750	0.8760	1.0020	1.0030	3/8
AA1008-14*	7/8	x	1	0.8750	0.8760	1.0020	1.0030	7/16
AA1008-9	7/8	x	1	0.8750	0.8760	1.0020	1.0030	1/2
AA1008-13*	7/8	x	1	0.8750	0.8760	1.0020	1.0030	5/8
AA1008-5	7/8	x	1	0.8750	0.8760	1.0020	1.0030	3/4
AA1008-6	7/8	x	1	0.8750	0.8760	1.0020	1.0030	1
AA1008-1	7/8	x	1	0.8750	0.8760	1.0020	1.0030	1 1/4
AA1008-2	7/8	x	1	0.8750	0.8760	1.0020	1.0030	1 1/2
AA1008-10	7/8	x	1	0.8750	0.8760	1.0020	1.0030	1 3/4
AA1009-5	7/8	x	1	0.8760	0.8770	1.0020	1.0030	5/8
AA1009-8	7/8	x	1	0.8760	0.8770	1.0020	1.0030	3/4
AA1009-3	7/8	x	1	0.8760	0.8770	1.0020	1.0030	1
AA1009	7/8	x	1	0.8760	0.8770	1.0020	1.0030	1 1/8
AA1009-2	7/8	x	1	0.8760	0.8770	1.0020	1.0030	1 1/4
EP141716	7/8	x	1 1/16	0.8760	0.8770	1.0655	1.0665	1
EP141720	7/8	x	1 1/16	0.8760	0.8770	1.0655	1.0665	1 1/4
AA1051-3*	7/8	x	1 1/16	0.8760	0.8770	1.0640	1.0650	3/4
AA1051-2*	7/8	x	1 1/16	0.8760	0.8770	1.0640	1.0650	1 1/4
EP141812	7/8	x	1 1/8	0.8760	0.8770	1.1280	1.1290	3/4
EP141814	7/8	x	1 1/8	0.8760	0.8770	1.1280	1.1290	7/8
EP141816	7/8	x	1 1/8	0.8760	0.8770	1.1280	1.1290	1
EP141818	7/8	x	1 1/8	0.8760	0.8770	1.1280	1.1290	1 1/8
EP141820	7/8	x	1 1/8	0.8760	0.8770	1.1280	1.1290	1 1/4
EP141822	7/8	x	1 1/8	0.8760	0.8770	1.1280	1.1290	1 3/8
EP141824	7/8	x	1 1/8	0.8760	0.8770	1.1280	1.1290	1 1/2
EP141828	7/8	x	1 1/8	0.8760	0.8770	1.1280	1.1290	1 3/4
EP141832	7/8	x	1 1/8	0.8760	0.8770	1.1280	1.1290	2
EP141836	7/8	x	1 1/8	0.8760	0.8770	1.1280	1.1290	2 1/4
EP141840	7/8	x	1 1/8	0.8760	0.8770	1.1280	1.1290	2 1/2
AA1108	7/8	x	1 1/8	0.8750	0.8760	1.1270	1.1280	3/4
AA1108-15*	7/8	x	1 1/8	0.8750	0.8760	1.1270	1.1280	7/8
AA1108-1	7/8	x	1 1/8	0.8750	0.8760	1.1270	1.1280	1
AA1108-2*	7/8	x	1 1/8	0.8750	0.8760	1.1270	1.1280	1 1/8
AA1108-7	7/8	x	1 1/8	0.8750	0.8760	1.1270	1.1280	1 1/4
AA1108-16*	7/8	x	1 1/8	0.8750	0.8760	1.1270	1.1280	1 3/8
AA1108-12*	7/8	x	1 1/8	0.8750	0.8760	1.1270	1.1280	1 1/2
AA1108-10*	7/8	x	1 1/8	0.8750	0.8760	1.1270	1.1280	1 3/4
AA1108-3*	7/8	x	1 1/8	0.8750	0.8760	1.1270	1.1280	2
AA1108-11	7/8	x	1 1/8	0.8750	0.8760	1.1270	1.1280	2 1/4
AA1108-5*	7/8	x	1 1/8	0.8750	0.8760	1.1270	1.1280	2 1/2

*When current inventory is depleted, these sizes will be supplied on special order basis only. Minimum order quantities may apply.

Length Size	Tolerance
-- to 1.495"	±0.005"
1.496" to 2.990"	±0.0075"
2.991" to 4.895"	±0.010"

If you require any further assistance, please call: 419-866-7000
or email: buntinginfo@buntingbearings.com



Powdered Metal SAE 841 Bronze Sleeve (Plain) Bearings

PART NUMBER	NOMINAL SIZES			I.D. Min.	I.D. Max.	O.D. Min.	O.D. Max.	LENGTH
	I.D.		O.D.					
AA1108-6*	7/8	x	1 1/8	0.8750	0.8760	1.1270	1.1280	2 3/4
AA1104-2	7/8	x	1 1/8	0.8770	0.8780	1.1265	1.1275	1
AA1104-5	7/8	x	1 1/8	0.8770	0.8780	1.1265	1.1275	1 1/4
AA1104-4	7/8	x	1 1/8	0.8770	0.8780	1.1265	1.1275	1 3/8
AA1104-3	7/8	x	1 1/8	0.8770	0.8780	1.1265	1.1275	1 1/2
EP142012	7/8	x	1 1/4	0.8760	0.8770	1.2530	1.2540	3/4
EP142016	7/8	x	1 1/4	0.8760	0.8770	1.2530	1.2540	1
EP142020	7/8	x	1 1/4	0.8760	0.8770	1.2530	1.2540	1 1/4
EP142024	7/8	x	1 1/4	0.8760	0.8770	1.2530	1.2540	1 1/2
EP142032	7/8	x	1 1/4	0.8760	0.8770	1.2530	1.2540	2
AA1242-2*	7/8	x	1 1/4	0.8770	0.8780	1.2520	1.2530	3/4
AA1242-3*	7/8	x	1 1/4	0.8770	0.8780	1.2520	1.2530	1
AA1242*	7/8	x	1 1/4	0.8770	0.8780	1.2520	1.2530	1 3/8
AA1203-3	7/8	x	1 1/4	0.8760	0.8770	1.2510	1.2520	1
AA1203	7/8	x	1 1/4	0.8760	0.8770	1.2510	1.2520	1 1/4
AA1203-1	7/8	x	1 1/4	0.8760	0.8770	1.2510	1.2520	1 1/2
AA1087-1	15/16	x	1 1/16	0.9390	0.9400	1.0640	1.0650	3/4
AA1087	15/16	x	1 1/16	0.9390	0.9400	1.0640	1.0650	1 1/4
EP151912	15/16	x	1 3/16	0.9385	0.9395	1.1905	1.1915	3/4
EP151916	15/16	x	1 3/16	0.9385	0.9395	1.1905	1.1915	1
EP151920	15/16	x	1 3/16	0.9385	0.9395	1.1905	1.1915	1 1/4
EP151924	15/16	x	1 3/16	0.9385	0.9395	1.1905	1.1915	1 1/2
EP151932	15/16	x	1 3/16	0.9385	0.9395	1.1905	1.1915	2
AA1118-6*	15/16	x	1 3/16	0.9380	0.9390	1.1885	1.1895	7/8
AA1118-4*	15/16	x	1 3/16	0.9380	0.9390	1.1885	1.1895	1
AA1118-2*	15/16	x	1 3/16	0.9380	0.9390	1.1885	1.1895	1 1/4
AA1118-5*	15/16	x	1 3/16	0.9380	0.9390	1.1885	1.1895	1 1/2
AA1216-3*	15/16	x	1 1/4	0.9390	0.9400	1.2530	1.2540	1 1/2
AA1216*	15/16	x	1 1/4	0.9390	0.9400	1.2530	1.2540	2
EP152012	15/16	x	1 1/4	0.9385	0.9395	1.2530	1.2540	3/4
EP152016	15/16	x	1 1/4	0.9385	0.9395	1.2530	1.2540	1
EP152020	15/16	x	1 1/4	0.9385	0.9395	1.2530	1.2540	1 1/4
EP152024	15/16	x	1 1/4	0.9385	0.9395	1.2530	1.2540	1 1/2
EP152028	15/16	x	1 1/4	0.9385	0.9395	1.2530	1.2540	1 3/4
EP152032	15/16	x	1 1/4	0.9385	0.9395	1.2530	1.2540	2
AA1206-1*	15/16	x	1 1/4	0.9365	0.9375	1.2520	1.2530	1
AA1206-4*	15/16	x	1 1/4	0.9365	0.9375	1.2520	1.2530	1 1/4
AA1206-2*	15/16	x	1 1/4	0.9365	0.9375	1.2520	1.2530	1 1/2
EP161812	1	x	1 1/8	1.0020	1.0030	1.1280	1.1290	3/4
EP161814	1	x	1 1/8	1.0020	1.0030	1.1280	1.1290	7/8
EP161816	1	x	1 1/8	1.0020	1.0030	1.1280	1.1290	1
EP161820	1	x	1 1/8	1.0020	1.0030	1.1280	1.1290	1 1/4
EP161824	1	x	1 1/8	1.0020	1.0030	1.1280	1.1290	1 1/2
EP161828	1	x	1 1/8	1.0020	1.0030	1.1280	1.1290	1 3/4
EP161832	1	x	1 1/8	1.0020	1.0030	1.1280	1.1290	2

*When current inventory is depleted, these sizes will be supplied on special order basis only. Minimum order quantities may apply.

Length Size	Tolerance
-- to 1.495"	±0.005"
1.496" to 2.990"	±0.0075"
2.991" to 4.895"	±0.010"



Powdered Metal SAE 841 Bronze Sleeve (Plain) Bearings

PART NUMBER	NOMINAL SIZES			I.D. Min.	I.D. Max.	O.D. Min.	O.D. Max.	LENGTH
	I.D.		O.D.					
AA1110-8	1	x	1 1/8	1.0000	1.0010	1.1270	1.1280	1/2
AA1110-10	1	x	1 1/8	1.0000	1.0010	1.1270	1.1280	3/4
AA1110-2	1	x	1 1/8	1.0000	1.0010	1.1270	1.1280	13/16
AA1110-1	1	x	1 1/8	1.0000	1.0010	1.1270	1.1280	1
AA1110-3	1	x	1 1/8	1.0000	1.0010	1.1270	1.1280	1 1/4
AA1110-12*	1	x	1 1/8	1.0000	1.0010	1.1270	1.1280	1 3/8
AA1110	1	x	1 1/8	1.0000	1.0010	1.1270	1.1280	1 1/2
AA1156*	1	x	1 1/8	1.0025	1.0035	1.1270	1.1280	3/4
AA1156-4	1	x	1 1/8	1.0025	1.0035	1.1270	1.1280	7/8
AA1156-3*	1	x	1 1/8	1.0025	1.0035	1.1270	1.1280	1 1/4
AA1156-1	1	x	1 1/8	1.0025	1.0035	1.1270	1.1280	1 1/2
EP161912	1	x	1 3/16	1.0020	1.0030	1.1905	1.1915	3/4
EP161916	1	x	1 3/16	1.0020	1.0030	1.1905	1.1915	1
EP161920	1	x	1 3/16	1.0020	1.0030	1.1905	1.1915	1 1/4
EP161924	1	x	1 3/16	1.0020	1.0030	1.1905	1.1915	1 1/2
EP161928	1	x	1 3/16	1.0020	1.0030	1.1905	1.1915	1 3/4
EP161932	1	x	1 3/16	1.0020	1.0030	1.1905	1.1915	2
AA1154-2*	1	x	1 3/16	1.0010	1.0020	1.1885	1.1895	3/4
AA1154-1*	1	x	1 3/16	1.0010	1.0020	1.1885	1.1895	1
AA1154-3*	1	x	1 3/16	1.0010	1.0020	1.1885	1.1895	1 1/2
AA1154*	1	x	1 3/16	1.0010	1.0020	1.1885	1.1895	2
EP162008	1	x	1 1/4	1.0020	1.0030	1.2530	1.2540	1/2
EP162012	1	x	1 1/4	1.0020	1.0030	1.2530	1.2540	3/4
EP162014	1	x	1 1/4	1.0020	1.0030	1.2530	1.2540	7/8
EP162016	1	x	1 1/4	1.0020	1.0030	1.2530	1.2540	1
EP162020	1	x	1 1/4	1.0020	1.0030	1.2530	1.2540	1 1/4
EP162022	1	x	1 1/4	1.0020	1.0030	1.2530	1.2540	1 3/8
EP162024	1	x	1 1/4	1.0020	1.0030	1.2530	1.2540	1 1/2
EP162028	1	x	1 1/4	1.0020	1.0030	1.2530	1.2540	1 3/4
EP162032	1	x	1 1/4	1.0020	1.0030	1.2530	1.2540	2
EP162036	1	x	1 1/4	1.0020	1.0030	1.2530	1.2540	2 1/4
EP162040	1	x	1 1/4	1.0020	1.0030	1.2530	1.2540	2 1/2
EP162048	1	x	1 1/4	1.0020	1.0030	1.2530	1.2540	3
AA1232-6	1	x	1 1/4	1.0020	1.0030	1.2520	1.2530	3/4
AA1232	1	x	1 1/4	1.0020	1.0030	1.2520	1.2530	1
AA1232-2	1	x	1 1/4	1.0020	1.0030	1.2520	1.2530	1 1/8
AA1232-3	1	x	1 1/4	1.0020	1.0030	1.2520	1.2530	1 1/4
AA1232-7	1	x	1 1/4	1.0020	1.0030	1.2520	1.2530	1 1/2
AA1232-8*	1	x	1 1/4	1.0020	1.0030	1.2520	1.2530	1 3/4
AA1232-4	1	x	1 1/4	1.0020	1.0030	1.2520	1.2530	2
AA1232-5*	1	x	1 1/4	1.0020	1.0030	1.2520	1.2530	2 1/2
AA1204-7	1	x	1 1/4	1.0040	1.0050	1.2515	1.2525	1
AA1204-2	1	x	1 1/4	1.0040	1.0050	1.2515	1.2525	1 1/4
AA1204-1	1	x	1 1/4	1.0040	1.0050	1.2515	1.2525	1 3/8
AA1204	1	x	1 1/4	1.0040	1.0050	1.2515	1.2525	1 1/2

*When current inventory is depleted, these sizes will be supplied on special order basis only. Minimum order quantities may apply.

Length Size	Tolerance
-- to 1.495"	±0.005"
1.496" to 2.990"	±0.0075"
2.991" to 4.895"	±0.010"

If you require any further assistance, please call: 419-866-7000
or email: buntinginfo@buntingbearings.com



Powdered Metal SAE 841 Bronze Sleeve (Plain) Bearings

PART NUMBER	NOMINAL SIZES			I.D. Min.	I.D. Max.	O.D. Min.	O.D. Max.	LENGTH
	I.D.		O.D.					
AA1204-3	1	x	1 1/4	1.0040	1.0050	1.2515	1.2525	2
AA1204-5*	1	x	1 1/4	1.0040	1.0050	1.2515	1.2525	2 1/4
AA1204-4*	1	x	1 1/4	1.0040	1.0050	1.2515	1.2525	2 1/2
AA1212-7	1	x	1 1/4	1.0000	1.0010	1.2510	1.2520	1/2
AA1212-6	1	x	1 1/4	1.0000	1.0010	1.2510	1.2520	3/4
AA1212-2	1	x	1 1/4	1.0000	1.0010	1.2510	1.2520	1
AA1212-16	1	x	1 1/4	1.0000	1.0010	1.2510	1.2520	1 1/4
AA1212-11	1	x	1 1/4	1.0000	1.0010	1.2510	1.2520	1 1/2
AA1212-4	1	x	1 1/4	1.0000	1.0010	1.2510	1.2520	1 3/4
AA1212-3	1	x	1 1/4	1.0000	1.0010	1.2510	1.2520	2
AA1212-5	1	x	1 1/4	1.0000	1.0010	1.2510	1.2520	2 1/4
AA1212*	1	x	1 1/4	1.0000	1.0010	1.2510	1.2520	2 1/2
AA1212-8*	1	x	1 1/4	1.0000	1.0010	1.2510	1.2520	2 7/8
AA1212-14	1	x	1 1/4	1.0000	1.0010	1.2510	1.2520	3
AA1213-6*	1	x	1 1/4	1.0010	1.0020	1.2510	1.2520	7/8
AA1213-3	1	x	1 1/4	1.0010	1.0020	1.2510	1.2520	1
AA1213-10	1	x	1 1/4	1.0010	1.0020	1.2510	1.2520	1 1/8
AA1213-12	1	x	1 1/4	1.0010	1.0020	1.2510	1.2520	1 1/4
AA1213-1	1	x	1 1/4	1.0010	1.0020	1.2510	1.2520	1 1/2
AA1213-2*	1	x	1 1/4	1.0010	1.0020	1.2510	1.2520	1 3/4
AA1213	1	x	1 1/4	1.0010	1.0020	1.2510	1.2520	2
AA1213-14*	1	x	1 1/4	1.0010	1.0020	1.2510	1.2520	2 1/2
AA1213-15	1	x	1 1/4	1.0010	1.0020	1.2510	1.2520	3
EP162116	1	x	1 5/16	1.0020	1.0030	1.3155	1.3165	1
EP162120	1	x	1 5/16	1.0020	1.0030	1.3155	1.3165	1 1/4
EP162124	1	x	1 5/16	1.0020	1.0030	1.3155	1.3165	1 1/2
EP162128	1	x	1 5/16	1.0020	1.0030	1.3155	1.3165	1 3/4
EP162132	1	x	1 5/16	1.0020	1.0030	1.3155	1.3165	2
EP162140	1	x	1 5/16	1.0020	1.0030	1.3155	1.3165	2 1/2
EP162148	1	x	1 5/16	1.0020	1.0030	1.3155	1.3165	3
AA1304-3	1	x	1 5/16	1.0000	1.0010	1.3150	1.3160	1
AA1304*	1	x	1 5/16	1.0000	1.0010	1.3150	1.3160	1 1/2
AA1304-4*	1	x	1 5/16	1.0000	1.0010	1.3150	1.3160	1 3/4
AA1304-6*	1	x	1 5/16	1.0000	1.0010	1.3150	1.3160	2
AA1325-10*	1	x	1 5/16	1.0010	1.0020	1.3140	1.3150	1
AA1325-8*	1	x	1 5/16	1.0010	1.0020	1.3140	1.3150	1 1/4
AA1325-4*	1	x	1 5/16	1.0010	1.0020	1.3140	1.3150	1 1/2
AA1325-7*	1	x	1 5/16	1.0010	1.0020	1.3140	1.3150	1 5/8
AA1325-5*	1	x	1 5/16	1.0010	1.0020	1.3140	1.3150	1 3/4
AA1325*	1	x	1 5/16	1.0010	1.0020	1.3140	1.3150	2
AA1325-1*	1	x	1 5/16	1.0010	1.0020	1.3140	1.3150	2 1/2
AA1325-3*	1	x	1 5/16	1.0010	1.0020	1.3140	1.3150	2 3/4
AA1325-2*	1	x	1 5/16	1.0010	1.0020	1.3140	1.3150	3
EP162216	1	x	1 3/8	1.0020	1.0030	1.3780	1.3790	1
EP162220	1	x	1 3/8	1.0020	1.0030	1.3780	1.3790	1 1/4

*When current inventory is depleted, these sizes will be supplied on special order basis only. Minimum order quantities may apply.

Length Size	Tolerance
-- to 1.495"	±0.005"
1.496" to 2.990"	±0.0075"
2.991" to 4.895"	±0.010"



Powdered Metal SAE 841 Bronze Sleeve (Plain) Bearings

PART NUMBER	NOMINAL SIZES			I.D. Min.	I.D. Max.	O.D. Min.	O.D. Max.	LENGTH
	I.D.		O.D.					
EP162224	1	x	1 3/8	1.0020	1.0030	1.3780	1.3790	1 1/2
EP162228	1	x	1 3/8	1.0020	1.0030	1.3780	1.3790	1 3/4
EP162232	1	x	1 3/8	1.0020	1.0030	1.3780	1.3790	2
EP162240	1	x	1 3/8	1.0020	1.0030	1.3780	1.3790	2 1/2
AA1334-3	1	x	1 3/8	1.0000	1.0010	1.3770	1.3780	3/4
AA1334-5*	1	x	1 3/8	1.0000	1.0010	1.3770	1.3780	1 1/4
AA1334-1	1	x	1 3/8	1.0000	1.0010	1.3770	1.3780	1 1/2
AA1334-2	1	x	1 3/8	1.0000	1.0010	1.3770	1.3780	2
AA1310-2	1	x	1 3/8	1.0020	1.0030	1.3760	1.3770	1
AA1310-1	1	x	1 3/8	1.0020	1.0030	1.3760	1.3770	1 1/8
AA1310-4	1	x	1 3/8	1.0020	1.0030	1.3760	1.3770	1 1/4
AA1310	1	x	1 3/8	1.0020	1.0030	1.3760	1.3770	1 3/8
AA1310-5	1	x	1 3/8	1.0020	1.0030	1.3760	1.3770	1 1/2
AA1310-8	1	x	1 3/8	1.0020	1.0030	1.3760	1.3770	1 3/4
AA1310-3	1	x	1 3/8	1.0020	1.0030	1.3760	1.3770	2
AA1310-6	1	x	1 3/8	1.0020	1.0030	1.3760	1.3770	2 1/4
AA1511-7*	1	x	1 1/2	1.0025	1.0035	1.5035	1.5045	1
AA1511-8*	1	x	1 1/2	1.0025	1.0035	1.5035	1.5045	1 1/4
AA1511-5*	1	x	1 1/2	1.0025	1.0035	1.5035	1.5045	1 1/2
AA1511-1*	1	x	1 1/2	1.0025	1.0035	1.5035	1.5045	2
EP162416	1	x	1 1/2	1.0020	1.0030	1.5030	1.5040	1
EP162420	1	x	1 1/2	1.0020	1.0030	1.5030	1.5040	1 1/4
EP162424	1	x	1 1/2	1.0020	1.0030	1.5030	1.5040	1 1/2
EP162428	1	x	1 1/2	1.0020	1.0030	1.5030	1.5040	1 3/4
EP162432	1	x	1 1/2	1.0020	1.0030	1.5030	1.5040	2
EP162440	1	x	1 1/2	1.0020	1.0030	1.5030	1.5040	2 1/2
EP162448	1	x	1 1/2	1.0020	1.0030	1.5030	1.5040	3
AA1307-2	1 1/16	x	1 5/16	1.0630	1.0640	1.3160	1.3170	3/4
AA1307-4	1 1/16	x	1 5/16	1.0630	1.0640	1.3160	1.3170	1
AA1307-5*	1 1/16	x	1 5/16	1.0630	1.0640	1.3160	1.3170	1 1/4
AA1307-1	1 1/16	x	1 5/16	1.0630	1.0640	1.3160	1.3170	1 1/2
EP182016	1 1/8	x	1 1/4	1.1270	1.1280	1.2530	1.2540	1
EP182020	1 1/8	x	1 1/4	1.1270	1.1280	1.2530	1.2540	1 1/4
EP182024	1 1/8	x	1 1/4	1.1270	1.1280	1.2530	1.2540	1 1/2
AA1214-6	1 1/8	x	1 1/4	1.1235	1.1245	1.2525	1.2535	7/8
AA1214-3	1 1/8	x	1 1/4	1.1235	1.1245	1.2525	1.2535	1
AA1214-2*	1 1/8	x	1 1/4	1.1235	1.1245	1.2525	1.2535	1 1/8
AA1214-1*	1 1/8	x	1 1/4	1.1235	1.1245	1.2525	1.2535	1 1/4
AA1214-8	1 1/8	x	1 1/4	1.1235	1.1245	1.2525	1.2535	1 1/2
AA1250-2	1 1/8	x	1 1/4	1.1260	1.1270	1.2515	1.2525	1 1/4
AA1250-3	1 1/8	x	1 1/4	1.1260	1.1270	1.2515	1.2525	1 1/2
EP182116	1 1/8	x	1 5/16	1.1270	1.1280	1.3155	1.3165	1
EP182120	1 1/8	x	1 5/16	1.1270	1.1280	1.3155	1.3165	1 1/4
EP182124	1 1/8	x	1 5/16	1.1270	1.1280	1.3155	1.3165	1 1/2
EP182128	1 1/8	x	1 5/16	1.1270	1.1280	1.3155	1.3165	1 3/4

*When current inventory is depleted, these sizes will be supplied on special order basis only. Minimum order quantities may apply.

Length Size	Tolerance
-- to 1.495"	±0.005"
1.496" to 2.990"	±0.0075"
2.991" to 4.895"	±0.010"

If you require any further assistance, please call: 419-866-7000
or email: buntinginfo@buntingbearings.com



Powdered Metal SAE 841 Bronze Sleeve (Plain) Bearings

PART NUMBER	NOMINAL SIZES		I.D. Min.	I.D. Max.	O.D. Min.	O.D. Max.	LENGTH
	I.D.	O.D.					
EP182132	1 1/8	x 1 5/16	1.1270	1.1280	1.3155	1.3165	2
AA1317*	1 1/8	x 1 5/16	1.1255	1.1265	1.3145	1.3155	1
AA1317-1*	1 1/8	x 1 5/16	1.1255	1.1265	1.3145	1.3155	1 1/14
AA1319-10	1 1/8	x 1 3/8	1.1280	1.1290	1.3780	1.3790	1/2
AA1319-3	1 1/8	x 1 3/8	1.1280	1.1290	1.3780	1.3790	1
AA1319	1 1/8	x 1 3/8	1.1280	1.1290	1.3780	1.3790	1 1/4
AA1319-13	1 1/8	x 1 3/8	1.1280	1.1290	1.3780	1.3790	1 1/2
AA1319-5*	1 1/8	x 1 3/8	1.1280	1.1290	1.3780	1.3790	1 3/4
AA1319-1	1 1/8	x 1 3/8	1.1280	1.1290	1.3780	1.3790	2
AA1319-12*	1 1/8	x 1 3/8	1.1280	1.1290	1.3780	1.3790	2 1/4
AA1319-2	1 1/8	x 1 3/8	1.1280	1.1290	1.3780	1.3790	2 1/2
EP182208	1 1/8	x 1 3/8	1.1270	1.1280	1.3780	1.3790	1/2
EP182212	1 1/8	x 1 3/8	1.1270	1.1280	1.3780	1.3790	3/4
EP182216	1 1/8	x 1 3/8	1.1270	1.1280	1.3780	1.3790	1
EP182220	1 1/8	x 1 3/8	1.1270	1.1280	1.3780	1.3790	1 1/4
EP182224	1 1/8	x 1 3/8	1.1270	1.1280	1.3780	1.3790	1 1/2
EP182228	1 1/8	x 1 3/8	1.1270	1.1280	1.3780	1.3790	1 3/4
EP182232	1 1/8	x 1 3/8	1.1270	1.1280	1.3780	1.3790	2
EP182240	1 1/8	x 1 3/8	1.1270	1.1280	1.3780	1.3790	2 1/2
EP182248	1 1/8	x 1 3/8	1.1270	1.1280	1.3780	1.3790	3
AA1332-6	1 1/8	x 1 3/8	1.1260	1.1270	1.3760	1.3770	1/2
AA1332-1	1 1/8	x 1 3/8	1.1260	1.1270	1.3760	1.3770	3/4
AA1332-4	1 1/8	x 1 3/8	1.1260	1.1270	1.3760	1.3770	1
AA1332-9	1 1/8	x 1 3/8	1.1260	1.1270	1.3760	1.3770	1 1/4
AA1332-7*	1 1/8	x 1 3/8	1.1260	1.1270	1.3760	1.3770	1 1/2
AA1332-10*	1 1/8	x 1 3/8	1.1260	1.1270	1.3760	1.3770	1 3/4
AA1332	1 1/8	x 1 3/8	1.1260	1.1270	1.3760	1.3770	2
AA1332-11*	1 1/8	x 1 3/8	1.1260	1.1270	1.3760	1.3770	2 1/4
AA1332-2*	1 1/8	x 1 3/8	1.1260	1.1270	1.3760	1.3770	2 1/2
AA1332-8	1 1/8	x 1 3/8	1.1260	1.1270	1.3760	1.3770	3
EP182416	1 1/8	x 1 1/2	1.1270	1.1280	1.5030	1.5040	1
EP182420	1 1/8	x 1 1/2	1.1270	1.1280	1.5030	1.5040	1 1/4
EP182424	1 1/8	x 1 1/2	1.1270	1.1280	1.5030	1.5040	1 1/2
EP182428	1 1/8	x 1 1/2	1.1270	1.1280	1.5030	1.5040	1 3/4
EP182432	1 1/8	x 1 1/2	1.1270	1.1280	1.5030	1.5040	2
EP182440	1 1/8	x 1 1/2	1.1270	1.1280	1.5030	1.5040	2 1/2
AA1502	1 1/8	x 1 1/2	1.1260	1.1270	1.5025	1.5035	1
AA1502-2	1 1/8	x 1 1/2	1.1260	1.1270	1.5025	1.5035	1 1/4
AA1502-3	1 1/8	x 1 1/2	1.1260	1.1270	1.5025	1.5035	1 1/2
AA1509-4	1 1/8	x 1 1/2	1.1250	1.1260	1.5020	1.5030	1
AA1509-1*	1 1/8	x 1 1/2	1.1250	1.1260	1.5020	1.5030	1 1/2
AA1509-6	1 1/8	x 1 1/2	1.1250	1.1260	1.5020	1.5030	1 3/4
AA1509	1 1/8	x 1 1/2	1.1250	1.1260	1.5020	1.5030	2
AA1509-3*	1 1/8	x 1 1/2	1.1250	1.1260	1.5020	1.5030	2 1/2
AA1339-2	1 3/16	x 1 5/16	1.1880	1.1890	1.3145	1.3155	1

*When current inventory is depleted, these sizes will be supplied on special order basis only. Minimum order quantities may apply.

Length Size	Tolerance
-- to 1.495"	±0.005"
1.496" to 2.990"	±0.0075"
2.991" to 4.895"	±0.010"



Powdered Metal SAE 841 Bronze Sleeve (Plain) Bearings

PART NUMBER	NOMINAL SIZES			I.D. Min.	I.D. Max.	O.D. Min.	O.D. Max.	LENGTH
	I.D.		O.D.					
AA1339*	1 3/16	x	1 5/16	1.1880	1.1890	1.3145	1.3155	1 1/4
AA1324-1*	1 3/16	x	1 3/8	1.1880	1.1890	1.3780	1.3790	1 1/2
AA1324*	1 3/16	x	1 3/8	1.1880	1.1890	1.3780	1.3790	1 3/4
EP192320	1 3/16	x	1 7/16	1.1895	1.1905	1.4405	1.4415	1 1/4
EP192324	1 3/16	x	1 7/16	1.1895	1.1905	1.4405	1.4415	1 1/2
EP192332	1 3/16	x	1 7/16	1.1895	1.1905	1.4405	1.4415	2
EP192340	1 3/16	x	1 7/16	1.1895	1.1905	1.4405	1.4415	2 1/2
EP192348	1 3/16	x	1 7/16	1.1895	1.1905	1.4405	1.4415	3
AA1403-3*	1 3/16	x	1 7/16	1.1875	1.1885	1.4400	1.4410	1 1/4
AA1403-7*	1 3/16	x	1 7/16	1.1875	1.1885	1.4400	1.4410	1 1/2
AA1403-10*	1 3/16	x	1 7/16	1.1875	1.1885	1.4400	1.4410	2
AA1504-6*	1 3/16	x	1 1/2	1.1920	1.1930	1.5030	1.5040	1
AA1504-1*	1 3/16	x	1 1/2	1.1920	1.1930	1.5030	1.5040	1 1/2
AA1523-2*	1 3/16	x	1 1/2	1.1890	1.1900	1.5030	1.5040	1
AA1523-5	1 3/16	x	1 1/2	1.1890	1.1900	1.5030	1.5040	1 1/2
AA1523*	1 3/16	x	1 1/2	1.1890	1.1900	1.5030	1.5040	2
AA1523-3*	1 3/16	x	1 1/2	1.1890	1.1900	1.5030	1.5040	2 1/2
EP192416	1 3/16	x	1 1/2	1.1895	1.1905	1.5030	1.5040	1
EP192420	1 3/16	x	1 1/2	1.1895	1.1905	1.5030	1.5040	1 1/4
EP192424	1 3/16	x	1 1/2	1.1895	1.1905	1.5030	1.5040	1 1/2
EP192428	1 3/16	x	1 1/2	1.1895	1.1905	1.5030	1.5040	1 3/4
EP192432	1 3/16	x	1 1/2	1.1895	1.1905	1.5030	1.5040	2
EP192440	1 3/16	x	1 1/2	1.1895	1.1905	1.5030	1.5040	2 1/2
EP192448	1 3/16	x	1 1/2	1.1895	1.1905	1.5030	1.5040	3
AA1407-4	1 1/4	x	1 7/16	1.2505	1.2515	1.4395	1.4405	1 1/4
AA1407-5	1 1/4	x	1 7/16	1.2505	1.2515	1.4395	1.4405	1 1/2
AA1407	1 1/4	x	1 7/16	1.2505	1.2515	1.4395	1.4405	1 3/4
AA1407-6	1 1/4	x	1 7/16	1.2505	1.2515	1.4395	1.4405	2
AA1407-8*	1 1/4	x	1 7/16	1.2505	1.2515	1.4395	1.4405	2 1/2
AA1505-11	1 1/4	x	1 1/2	1.2570	1.2580	1.5030	1.5040	1
AA1505-1	1 1/4	x	1 1/2	1.2570	1.2580	1.5030	1.5040	1 1/2
AA1528	1 1/4	x	1 1/2	1.2525	1.2535	1.5030	1.5040	1
AA1528-3	1 1/4	x	1 1/2	1.2525	1.2535	1.5030	1.5040	1 1/4
AA1528-4	1 1/4	x	1 1/2	1.2525	1.2535	1.5030	1.5040	1 1/2
EP202408	1 1/4	x	1 1/2	1.2525	1.2535	1.5030	1.5040	1/2
EP202410	1 1/4	x	1 1/2	1.2525	1.2535	1.5030	1.5040	5/8
EP202412	1 1/4	x	1 1/2	1.2525	1.2535	1.5030	1.5040	3/4
EP202414	1 1/4	x	1 1/2	1.2525	1.2535	1.5030	1.5040	7/8
EP202416	1 1/4	x	1 1/2	1.2525	1.2535	1.5030	1.5040	1
EP202418	1 1/4	x	1 1/2	1.2525	1.2535	1.5030	1.5040	1 1/8
EP202420	1 1/4	x	1 1/2	1.2525	1.2535	1.5030	1.5040	1 1/4
EP202422	1 1/4	x	1 1/2	1.2525	1.2535	1.5030	1.5040	1 3/8
EP202424	1 1/4	x	1 1/2	1.2525	1.2535	1.5030	1.5040	1 1/2
EP202426	1 1/4	x	1 1/2	1.2525	1.2535	1.5030	1.5040	1 5/8
EP202428	1 1/4	x	1 1/2	1.2525	1.2535	1.5030	1.5040	1 3/4

*When current inventory is depleted, these sizes will be supplied on special order basis only. Minimum order quantities may apply.

Length Size	Tolerance
-- to 1.495"	±0.005"
1.496" to 2.990"	±0.0075"
2.991" to 4.895"	±0.010"

If you require any further assistance, please call: 419-866-7000
or email: buntinginfo@buntingbearings.com



Powdered Metal SAE 841 Bronze Sleeve (Plain) Bearings

PART NUMBER	NOMINAL SIZES		I.D. Min.	I.D. Max.	O.D. Min.	O.D. Max.	LENGTH
	I.D.	O.D.					
EP202430	1 1/4	x 1 1/2	1.2525	1.2535	1.5030	1.5040	1 7/8
EP202432	1 1/4	x 1 1/2	1.2525	1.2535	1.5030	1.5040	2
EP202436	1 1/4	x 1 1/2	1.2525	1.2535	1.5030	1.5040	2 1/4
EP202440	1 1/4	x 1 1/2	1.2525	1.2535	1.5030	1.5040	2 1/2
EP202448	1 1/4	x 1 1/2	1.2525	1.2535	1.5030	1.5040	3
AA1512-12	1 1/4	x 1 1/2	1.2510	1.2520	1.5010	1.5020	1/2
AA1512-11*	1 1/4	x 1 1/2	1.2510	1.2520	1.5010	1.5020	5/8
AA1512-14	1 1/4	x 1 1/2	1.2510	1.2520	1.5010	1.5020	3/4
AA1512-7*	1 1/4	x 1 1/2	1.2510	1.2520	1.5010	1.5020	7/8
AA1512-15	1 1/4	x 1 1/2	1.2510	1.2520	1.5010	1.5020	1
AA1512-16	1 1/4	x 1 1/2	1.2510	1.2520	1.5010	1.5020	1 1/4
AA1512-3	1 1/4	x 1 1/2	1.2510	1.2520	1.5010	1.5020	1 3/8
AA1512-2	1 1/4	x 1 1/2	1.2510	1.2520	1.5010	1.5020	1 1/2
AA1512-17	1 1/4	x 1 1/2	1.2510	1.2520	1.5010	1.5020	1 3/4
AA1512-1*	1 1/4	x 1 1/2	1.2510	1.2520	1.5010	1.5020	1 7/8
AA1512-5	1 1/4	x 1 1/2	1.2510	1.2520	1.5010	1.5020	2
AA1512-13	1 1/4	x 1 1/2	1.2510	1.2520	1.5010	1.5020	2 1/2
AA1517-4*	1 1/4	x 1 1/2	1.2490	1.2500	1.5010	1.5020	3/4
AA1517-6*	1 1/4	x 1 1/2	1.2490	1.2500	1.5010	1.5020	1 1/4
AA1517-1*	1 1/4	x 1 1/2	1.2490	1.2500	1.5010	1.5020	1 5/8
AA1506-12	1 1/4	x 1 9/16	1.2510	1.2520	1.5635	1.5650	1 1/4
AA1506-6	1 1/4	x 1 9/16	1.2510	1.2520	1.5635	1.5650	1 1/2
AA1506	1 1/4	x 1 9/16	1.2510	1.2520	1.5635	1.5650	1 3/4
AA1506-7*	1 1/4	x 1 9/16	1.2510	1.2520	1.5635	1.5650	2
AA1506-8	1 1/4	x 1 9/16	1.2510	1.2520	1.5635	1.5650	2 1/4
EP202616	1 1/4	x 1 5/8	1.2525	1.2535	1.6285	1.6300	1
EP202620	1 1/4	x 1 5/8	1.2525	1.2535	1.6285	1.6300	1 1/4
EP202624	1 1/4	x 1 5/8	1.2525	1.2535	1.6285	1.6300	1 1/2
EP202628	1 1/4	x 1 5/8	1.2525	1.2535	1.6285	1.6300	1 3/4
EP202632	1 1/4	x 1 5/8	1.2525	1.2535	1.6285	1.6300	2
EP202640	1 1/4	x 1 5/8	1.2525	1.2535	1.6285	1.6300	2 1/2
EP202648	1 1/4	x 1 5/8	1.2525	1.2535	1.6285	1.6300	3
AA1604*	1 1/4	x 1 5/8	1.2530	1.2540	1.6275	1.6290	1 1/2
AA1604-2*	1 1/4	x 1 5/8	1.2530	1.2540	1.6275	1.6290	1 3/4
AA1606-9	1 1/4	x 1 5/8	1.2510	1.2520	1.6260	1.6275	1
AA1606	1 1/4	x 1 5/8	1.2510	1.2520	1.6260	1.6275	1 1/4
AA1606-7	1 1/4	x 1 5/8	1.2510	1.2520	1.6260	1.6275	1 1/2
AA1606-11	1 1/4	x 1 5/8	1.2510	1.2520	1.6260	1.6275	1 5/8
AA1606-1	1 1/4	x 1 5/8	1.2510	1.2520	1.6260	1.6275	1 3/4
AA1606-3	1 1/4	x 1 5/8	1.2510	1.2520	1.6260	1.6275	2
AA1606-5	1 1/4	x 1 5/8	1.2510	1.2520	1.6260	1.6275	2 1/2
AA1606-4	1 1/4	x 1 5/8	1.2510	1.2520	1.6260	1.6275	3
AA1602*	1 1/4	x 1 5/8	1.2490	1.2500	1.6255	1.6270	1 1/2
EP202828	1 1/4	x 1 3/4	1.2525	1.2535	1.7535	1.7550	1 3/4
EP202832	1 1/4	x 1 3/4	1.2525	1.2535	1.7535	1.7550	2

*When current inventory is depleted, these sizes will be supplied on special order basis only. Minimum order quantities may apply.

Length Size	Tolerance
-- to 1.495"	±0.005"
1.496" to 2.990"	±0.0075"
2.991" to 4.895"	±0.010"



Powdered Metal SAE 841 Bronze Sleeve (Plain) Bearings

PART NUMBER	NOMINAL SIZES			I.D. Min.	I.D. Max.	O.D. Min.	O.D. Max.	LENGTH
	I.D.		O.D.					
EP202840	1 1/4	x	1 3/4	1.2525	1.2535	1.7535	1.7550	2 1/2
EP202848	1 1/4	x	1 3/4	1.2525	1.2535	1.7535	1.7550	3
AA1715-6	1 1/4	x	1 3/4	1.2530	1.2540	1.7515	1.7530	1 1/2
AA1715-2*	1 1/4	x	1 3/4	1.2530	1.2540	1.7515	1.7530	2
AA1715-3	1 1/4	x	1 3/4	1.2530	1.2540	1.7515	1.7530	3
AA1526-4	1 5/16	x	1 1/2	1.3145	1.3155	1.5020	1.5030	1
AA1526	1 5/16	x	1 1/2	1.3145	1.3155	1.5020	1.5030	1 1/4
AA1526-2	1 5/16	x	1 1/2	1.3145	1.3155	1.5020	1.5030	1 1/2
AA1526-3	1 5/16	x	1 1/2	1.3145	1.3155	1.5020	1.5030	2
EP212620	1 5/16	x	1 5/8	1.3150	1.3160	1.6285	1.6300	1 1/4
EP212624	1 5/16	x	1 5/8	1.3150	1.3160	1.6285	1.6300	1 1/2
EP212632	1 5/16	x	1 5/8	1.3150	1.3160	1.6285	1.6300	2
EP212640*	1 5/16	x	1 5/8	1.3150	1.3160	1.6285	1.6300	2 1/2
EP212648	1 5/16	x	1 5/8	1.3150	1.3160	1.6285	1.6300	3
AA1611-5*	1 5/16	x	1 5/8	1.3145	1.3155	1.6275	1.6290	1 1/2
AA1611-2*	1 5/16	x	1 5/8	1.3145	1.3155	1.6275	1.6290	2
AA1611*	1 5/16	x	1 5/8	1.3145	1.3155	1.6275	1.6290	2 1/2
AA1507-2	1 3/8	x	1 9/16	1.3735	1.3745	1.5640	1.5655	1 1/4
AA1507	1 3/8	x	1 9/16	1.3735	1.3745	1.5640	1.5655	1 1/2
EP222616	1 3/8	x	1 5/8	1.3775	1.3785	1.6285	1.6300	1
EP222618	1 3/8	x	1 5/8	1.3775	1.3785	1.6285	1.6300	1 1/8
EP222620	1 3/8	x	1 5/8	1.3775	1.3785	1.6285	1.6300	1 1/4
EP222624	1 3/8	x	1 5/8	1.3775	1.3785	1.6285	1.6300	1 1/2
EP222632	1 3/8	x	1 5/8	1.3775	1.3785	1.6285	1.6300	2
EP222640	1 3/8	x	1 5/8	1.3775	1.3785	1.6285	1.6300	2 1/2
EP222648	1 3/8	x	1 5/8	1.3775	1.3785	1.6285	1.6300	3
AA1608-10	1 3/8	x	1 5/8	1.3750	1.3760	1.6265	1.6280	1
AA1608-1*	1 3/8	x	1 5/8	1.3750	1.3760	1.6265	1.6280	1 1/8
AA1608-11*	1 3/8	x	1 5/8	1.3750	1.3760	1.6265	1.6280	1 1/4
AA1608-12	1 3/8	x	1 5/8	1.3750	1.3760	1.6265	1.6280	1 1/2
AA1608-13*	1 3/8	x	1 5/8	1.3750	1.3760	1.6265	1.6280	1 3/4
AA1608	1 3/8	x	1 5/8	1.3750	1.3760	1.6265	1.6280	2
AA1608-3	1 3/8	x	1 5/8	1.3750	1.3760	1.6265	1.6280	2 1/2
AA1616-3	1 3/8	x	1 5/8	1.3780	1.3790	1.6265	1.6280	1 1/2
AA1616-5	1 3/8	x	1 5/8	1.3780	1.3790	1.6265	1.6280	2
AA1616-7*	1 3/8	x	1 5/8	1.3780	1.3790	1.6265	1.6280	2 1/2
EP222816	1 3/8	x	1 3/4	1.3775	1.3785	1.7535	1.7550	1
EP222824	1 3/8	x	1 3/4	1.3775	1.3785	1.7535	1.7550	1 1/2
EP222832	1 3/8	x	1 3/4	1.3775	1.3785	1.7535	1.7550	2
EP222840	1 3/8	x	1 3/4	1.3775	1.3785	1.7535	1.7550	2 1/2
EP222848	1 3/8	x	1 3/4	1.3775	1.3785	1.7535	1.7550	3
AA1708-5	1 3/8	x	1 3/4	1.3790	1.3800	1.7515	1.7530	1 1/2
AA1708-2	1 3/8	x	1 3/4	1.3790	1.3800	1.7515	1.7530	2
AA1708*	1 3/8	x	1 3/4	1.3790	1.3800	1.7515	1.7530	2 1/2
EP232616	1 7/16	x	1 5/8	1.4400	1.4410	1.6285	1.6300	1

*When current inventory is depleted, these sizes will be supplied on special order basis only. Minimum order quantities may apply.

Length Size	Tolerance
-- to 1.495"	±0.005"
1.496" to 2.990"	±0.0075"
2.991" to 4.895"	±0.010"

If you require any further assistance, please call: 419-866-7000
or email: buntinginfo@buntingbearings.com



Powdered Metal SAE 841 Bronze Sleeve (Plain) Bearings

PART NUMBER	NOMINAL SIZES			I.D. Min.	I.D. Max.	O.D. Min.	O.D. Max.	LENGTH
	I.D.		O.D.					
EP232624	1 7/16	x	1 5/8	1.4400	1.4410	1.6285	1.6300	1 1/2
EP232632	1 7/16	x	1 5/8	1.4400	1.4410	1.6285	1.6300	2
AA1609-2	1 7/16	x	1 5/8	1.4370	1.4380	1.6265	1.6280	1
AA1609-4	1 7/16	x	1 5/8	1.4370	1.4380	1.6265	1.6280	1 1/2
AA1609*	1 7/16	x	1 5/8	1.4370	1.4380	1.6265	1.6280	2
AA1609-6*	1 7/16	x	1 5/8	1.4370	1.4380	1.6265	1.6280	2 1/4
EP232816	1 7/16	x	1 3/4	1.4400	1.4410	1.7535	1.7550	1
EP232820	1 7/16	x	1 3/4	1.4400	1.4410	1.7535	1.7550	1 1/4
EP232824	1 7/16	x	1 3/4	1.4400	1.4410	1.7535	1.7550	1 1/2
EP232828	1 7/16	x	1 3/4	1.4400	1.4410	1.7535	1.7550	1 3/4
EP232832	1 7/16	x	1 3/4	1.4400	1.4410	1.7535	1.7550	2
EP232840	1 7/16	x	1 3/4	1.4400	1.4410	1.7535	1.7550	2 1/2
EP232848	1 7/16	x	1 3/4	1.4400	1.4410	1.7535	1.7550	3
AA1703-1*	1 7/16	x	1 3/4	1.4415	1.4425	1.7520	1.7535	7/8
AA1703-14*	1 7/16	x	1 3/4	1.4415	1.4425	1.7520	1.7535	1 1/8
AA1703-4*	1 7/16	x	1 3/4	1.4415	1.4425	1.7520	1.7535	1 1/4
AA1703-6*	1 7/16	x	1 3/4	1.4415	1.4425	1.7520	1.7535	1 1/2
AA1703-3*	1 7/16	x	1 3/4	1.4415	1.4425	1.7520	1.7535	1 3/4
AA1703*	1 7/16	x	1 3/4	1.4415	1.4425	1.7520	1.7535	1 7/8
AA1703-7*	1 7/16	x	1 3/4	1.4415	1.4425	1.7520	1.7535	2
AA1703-10*	1 7/16	x	1 3/4	1.4415	1.4425	1.7520	1.7535	2 1/4
AA1703-5*	1 7/16	x	1 3/4	1.4415	1.4425	1.7520	1.7535	2 1/2
AA1612-4*	1 1/2	x	1 11/16	1.5060	1.5070	1.6895	1.6910	3/4
AA1612-1*	1 1/2	x	1 11/16	1.5060	1.5070	1.6895	1.6910	1
EP242808	1 1/2	x	1 3/4	1.5030	1.5040	1.7535	1.7550	1/2
EP242810	1 1/2	x	1 3/4	1.5030	1.5040	1.7535	1.7550	5/8
EP242812	1 1/2	x	1 3/4	1.5030	1.5040	1.7535	1.7550	3/4
EP242814	1 1/2	x	1 3/4	1.5030	1.5040	1.7535	1.7550	7/8
EP242816	1 1/2	x	1 3/4	1.5030	1.5040	1.7535	1.7550	1
EP242820	1 1/2	x	1 3/4	1.5030	1.5040	1.7535	1.7550	1 1/4
EP242822	1 1/2	x	1 3/4	1.5030	1.5040	1.7535	1.7550	1 3/8
EP242824	1 1/2	x	1 3/4	1.5030	1.5040	1.7535	1.7550	1 1/2
EP242828	1 1/2	x	1 3/4	1.5030	1.5040	1.7535	1.7550	1 3/4
EP242832	1 1/2	x	1 3/4	1.5030	1.5040	1.7535	1.7550	2
EP242836	1 1/2	x	1 3/4	1.5030	1.5040	1.7535	1.7550	2 1/4
EP242840	1 1/2	x	1 3/4	1.5030	1.5040	1.7535	1.7550	2 1/2
EP242848	1 1/2	x	1 3/4	1.5030	1.5040	1.7535	1.7550	3
AA1704-20	1 1/2	x	1 3/4	1.5020	1.5030	1.7525	1.7540	1/2
AA1704-21	1 1/2	x	1 3/4	1.5020	1.5030	1.7525	1.7540	5/8
AA1704-16	1 1/2	x	1 3/4	1.5020	1.5030	1.7525	1.7540	3/4
AA1704-4*	1 1/2	x	1 3/4	1.5020	1.5030	1.7525	1.7540	7/8
AA1704-15	1 1/2	x	1 3/4	1.5020	1.5030	1.7525	1.7540	1
AA1704-17	1 1/2	x	1 3/4	1.5020	1.5030	1.7525	1.7540	1 1/8
AA1704-11	1 1/2	x	1 3/4	1.5020	1.5030	1.7525	1.7540	1 1/4
AA1704-5*	1 1/2	x	1 3/4	1.5020	1.5030	1.7525	1.7540	1 3/8

*When current inventory is depleted, these sizes will be supplied on special order basis only. Minimum order quantities may apply.

Length Size	Tolerance
-- to 1.495"	±0.005"
1.496" to 2.990"	±0.0075"
2.991" to 4.895"	±0.010"



Powdered Metal SAE 841 Bronze Sleeve (Plain) Bearings

PART NUMBER	NOMINAL SIZES			I.D. Min.	I.D. Max.	O.D. Min.	O.D. Max.	LENGTH
	I.D.		O.D.					
AA1704	1 1/2	x	1 3/4	1.5020	1.5030	1.7525	1.7540	1 1/2
AA1704-3	1 1/2	x	1 3/4	1.5020	1.5030	1.7525	1.7540	1 3/4
AA1704-2	1 1/2	x	1 3/4	1.5020	1.5030	1.7525	1.7540	2
AA1704-7	1 1/2	x	1 3/4	1.5020	1.5030	1.7525	1.7540	2 1/4
AA1704-8	1 1/2	x	1 3/4	1.5020	1.5030	1.7525	1.7540	2 1/2
AA1704-9	1 1/2	x	1 3/4	1.5020	1.5030	1.7525	1.7540	3
AA1704-19	1 1/2	x	1 3/4	1.5020	1.5030	1.7525	1.7540	3 1/2
EP242916*	1 1/2	x	1 13/16	1.5030	1.5040	1.8160	1.8175	1
EP242924*	1 1/2	x	1 13/16	1.5030	1.5040	1.8160	1.8175	1 1/2
EP242926*	1 1/2	x	1 13/16	1.5030	1.5040	1.8160	1.8175	1 5/8
AA1801-1*	1 1/2	x	1 13/16	1.5010	1.5020	1.8135	1.8150	1
AA1801*	1 1/2	x	1 13/16	1.5010	1.5020	1.8135	1.8150	1 5/8
EP243024	1 1/2	x	1 7/8	1.5030	1.5040	1.8785	1.8800	1 1/2
EP243032	1 1/2	x	1 7/8	1.5030	1.5040	1.8785	1.8800	2
EP243040	1 1/2	x	1 7/8	1.5030	1.5040	1.8785	1.8800	2 1/2
EP243044	1 1/2	x	1 7/8	1.5030	1.5040	1.8785	1.8800	2 3/4
EP243048	1 1/2	x	1 7/8	1.5030	1.5040	1.8785	1.8800	3
AA1807-9	1 1/2	x	1 7/8	1.5020	1.5030	1.8765	1.8780	1 1/2
AA1807-10	1 1/2	x	1 7/8	1.5020	1.5030	1.8765	1.8780	1 3/4
AA1807	1 1/2	x	1 7/8	1.5020	1.5030	1.8765	1.8780	2
AA1807-11	1 1/2	x	1 7/8	1.5020	1.5030	1.8765	1.8780	2 1/2
AA1807-1	1 1/2	x	1 7/8	1.5020	1.5030	1.8765	1.8780	2 3/4
AA1807-2	1 1/2	x	1 7/8	1.5020	1.5030	1.8765	1.8780	3
EP243216	1 1/2	x	2	1.5030	1.5040	2.0035	2.0050	1
EP243224	1 1/2	x	2	1.5030	1.5040	2.0035	2.0050	1 1/2
EP243232	1 1/2	x	2	1.5030	1.5040	2.0035	2.0050	2
EP243240	1 1/2	x	2	1.5030	1.5040	2.0035	2.0050	2 1/2
EP243248	1 1/2	x	2	1.5030	1.5040	2.0035	2.0050	3
EP243256	1 1/2	x	2	1.5030	1.5040	2.0035	2.0050	3 1/2
AA2007-6	1 1/2	x	2	1.5020	1.5030	2.0025	2.0040	1
AA2007-2	1 1/2	x	2	1.5020	1.5030	2.0025	2.0040	2
AA2007-3	1 1/2	x	2	1.5020	1.5030	2.0025	2.0040	2 1/2
AA2007-5	1 1/2	x	2	1.5020	1.5030	2.0025	2.0040	3 1/2
EP263020	1 5/8	x	1 7/8	1.6275	1.6290	1.8785	1.8800	1 1/4
EP263024	1 5/8	x	1 7/8	1.6275	1.6290	1.8785	1.8800	1 1/2
EP263028*	1 5/8	x	1 7/8	1.6275	1.6290	1.8785	1.8800	1 3/4
EP263032	1 5/8	x	1 7/8	1.6275	1.6290	1.8785	1.8800	2
EP263036*	1 5/8	x	1 7/8	1.6275	1.6290	1.8785	1.8800	2 1/4
EP263040	1 5/8	x	1 7/8	1.6275	1.6290	1.8785	1.8800	2 1/2
EP263048	1 5/8	x	1 7/8	1.6275	1.6290	1.8785	1.8800	3
AA1803-10	1 5/8	x	1 7/8	1.6255	1.6270	1.8775	1.8790	1
AA1803-11*	1 5/8	x	1 7/8	1.6255	1.6270	1.8775	1.8790	1 1/4
AA1803-13	1 5/8	x	1 7/8	1.6255	1.6270	1.8775	1.8790	1 1/2
AA1803-14	1 5/8	x	1 7/8	1.6255	1.6270	1.8775	1.8790	1 3/4
AA1803-7*	1 5/8	x	1 7/8	1.6255	1.6270	1.8775	1.8790	2

*When current inventory is depleted, these sizes will be supplied on special order basis only. Minimum order quantities may apply.

Length Size	Tolerance
-- to 1.495"	±0.005"
1.496" to 2.990"	±0.0075"
2.991" to 4.895"	±0.010"

If you require any further assistance, please call: 419-866-7000
or email: buntinginfo@buntingbearings.com



Powdered Metal SAE 841 Bronze Sleeve (Plain) Bearings

PART NUMBER	NOMINAL SIZES			I.D. Min.	I.D. Max.	O.D. Min.	O.D. Max.	LENGTH
	I.D.		O.D.					
AA1803-1*	1 5/8	x	1 7/8	1.6255	1.6270	1.8775	1.8790	2 1/4
AA1803-15*	1 5/8	x	1 7/8	1.6255	1.6270	1.8775	1.8790	2 3/4
EP263216	1 5/8	x	2	1.6275	1.6290	2.0035	2.0050	1
EP263224	1 5/8	x	2	1.6275	1.6290	2.0035	2.0050	1 1/2
EP263232	1 5/8	x	2	1.6275	1.6290	2.0035	2.0050	2
EP263240	1 5/8	x	2	1.6275	1.6290	2.0035	2.0050	2 1/2
EP263248	1 5/8	x	2	1.6275	1.6290	2.0035	2.0050	3
AA2000-5	1 5/8	x	2	1.6250	1.6265	2.0025	2.0040	1 1/2
AA2000-1	1 5/8	x	2	1.6250	1.6265	2.0025	2.0040	2
AA2000-3	1 5/8	x	2	1.6250	1.6265	2.0025	2.0040	2 1/2
AA2000-4*	1 5/8	x	2	1.6250	1.6265	2.0025	2.0040	3
EP273528*	1 11/16	x	2 3/16	1.6900	1.6915	2.1910	2.1925	1 3/4
EP273532	1 11/16	x	2 3/16	1.6900	1.6915	2.1910	2.1925	2
EP273548	1 11/16	x	2 3/16	1.6900	1.6915	2.1910	2.1925	3
EP273564	1 11/16	x	2 3/16	1.6900	1.6915	2.1910	2.1925	4
AA2107-1*	1 11/16	x	2 3/16	1.6890	1.6905	2.1900	2.1915	2
AA2107	1 11/16	x	2 3/16	1.6890	1.6905	2.1900	2.1915	4
AA1904-2*	1 3/4	x	1 15/16	1.7510	1.7525	1.9400	1.9415	1 1/4
AA1904-3*	1 3/4	x	1 15/16	1.7510	1.7525	1.9400	1.9415	1 1/2
EP283216	1 3/4	x	2	1.7525	1.7540	2.0035	2.0050	1
EP283220	1 3/4	x	2	1.7525	1.7540	2.0035	2.0050	1 1/4
EP283224	1 3/4	x	2	1.7525	1.7540	2.0035	2.0050	1 1/2
EP283228	1 3/4	x	2	1.7525	1.7540	2.0035	2.0050	1 3/4
EP283232	1 3/4	x	2	1.7525	1.7540	2.0035	2.0050	2
EP283240	1 3/4	x	2	1.7525	1.7540	2.0035	2.0050	2 1/2
EP283248	1 3/4	x	2	1.7525	1.7540	2.0035	2.0050	3
AA2001-11	1 3/4	x	2	1.7515	1.7530	2.0025	2.0040	1
AA2001-3	1 3/4	x	2	1.7515	1.7530	2.0025	2.0040	1 1/2
AA2001	1 3/4	x	2	1.7515	1.7530	2.0025	2.0040	1 7/8
AA2001-9	1 3/4	x	2	1.7515	1.7530	2.0025	2.0040	2
AA2001-1	1 3/4	x	2	1.7515	1.7530	2.0025	2.0040	2 1/2
AA2001-13*	1 3/4	x	2	1.7515	1.7530	2.0025	2.0040	2 3/4
AA2001-2	1 3/4	x	2	1.7515	1.7530	2.0025	2.0040	3
EP283424	1 3/4	x	2 1/8	1.7525	1.7540	2.1285	2.1300	1 1/2
EP283432	1 3/4	x	2 1/8	1.7525	1.7540	2.1285	2.1300	2
EP283448	1 3/4	x	2 1/8	1.7525	1.7540	2.1285	2.1300	3
AA2112-8	1 3/4	x	2 1/8	1.7525	1.7540	2.1265	2.1280	1/2
AA2112-1	1 3/4	x	2 1/8	1.7525	1.7540	2.1265	2.1280	1 1/2
AA2112-2	1 3/4	x	2 1/8	1.7525	1.7540	2.1265	2.1280	2
AA2112-3	1 3/4	x	2 1/8	1.7525	1.7540	2.1265	2.1280	2 1/2
AA2204-2	1 3/4	x	2 1/4	1.7515	1.7530	2.2515	2.2530	2
AA2204-3	1 3/4	x	2 1/4	1.7515	1.7530	2.2515	2.2530	2 1/2
AA2204	1 3/4	x	2 1/4	1.7515	1.7530	2.2515	2.2530	3
AA2202-10	1 7/8	x	2 1/4	1.8765	1.8780	2.2525	2.2540	3/4
AA2202	1 7/8	x	2 1/4	1.8765	1.8780	2.2525	2.2540	2

*When current inventory is depleted, these sizes will be supplied on special order basis only. Minimum order quantities may apply.

Length Size	Tolerance
-- to 1.495"	±0.005"
1.496" to 2.990"	±0.0075"
2.991" to 4.895"	±0.010"



Powdered Metal SAE 841 Bronze Sleeve (Plain) Bearings

PART NUMBER	NOMINAL SIZES		I.D. Min.	I.D. Max.	O.D. Min.	O.D. Max.	LENGTH
	I.D.	O.D.					
AA2202-1	1 7/8	x 2 1/4	1.8765	1.8780	2.2525	2.2540	2 1/2
AA2202-2	1 7/8	x 2 1/4	1.8765	1.8780	2.2525	2.2540	3
AA2102-3	1 15/16	x 2 1/8	1.9385	1.9400	2.1270	2.1285	2
AA2102-1	1 15/16	x 2 1/8	1.9385	1.9400	2.1270	2.1285	2 1/2
EP313732	1 15/16	x 2 5/16	1.9400	1.9415	2.3160	2.3175	2
EP313740	1 15/16	x 2 5/16	1.9400	1.9415	2.3160	2.3175	2 1/2
EP313748	1 15/16	x 2 5/16	1.9400	1.9415	2.3160	2.3175	3
EP313764	1 15/16	x 2 5/16	1.9400	1.9415	2.3160	2.3175	4
AA2306-3	1 15/16	x 2 5/16	1.9390	1.9405	2.3150	2.3165	2
AA2306-5	1 15/16	x 2 5/16	1.9390	1.9405	2.3150	2.3165	3
AA2306	1 15/16	x 2 5/16	1.9390	1.9405	2.3150	2.3165	4
AA2403-1	1 15/16	x 2 7/16	1.9405	1.9420	2.4400	2.4415	1 1/2
AA2403-2	1 15/16	x 2 7/16	1.9405	1.9420	2.4400	2.4415	2
EP323612	2	x 2 1/4	2.0025	2.0040	2.2535	2.2550	3/4
EP323616	2	x 2 1/4	2.0025	2.0040	2.2535	2.2550	1
EP323624	2	x 2 1/4	2.0025	2.0040	2.2535	2.2550	1 1/2
EP323632	2	x 2 1/4	2.0025	2.0040	2.2535	2.2550	2
EP323640	2	x 2 1/4	2.0025	2.0040	2.2535	2.2550	2 1/2
EP323648	2	x 2 1/4	2.0025	2.0040	2.2535	2.2550	3
AA2203-5	2	x 2 1/4	2.0015	2.0030	2.2520	2.2540	3/4
AA2203-6	2	x 2 1/4	2.0015	2.0030	2.2520	2.2540	1
AA2203-7	2	x 2 1/4	2.0015	2.0030	2.2520	2.2540	1 1/2
AA2203	2	x 2 1/4	2.0015	2.0030	2.2520	2.2540	2
AA2203-9	2	x 2 1/4	2.0015	2.0030	2.2520	2.2540	2 1/2
AA2203-10	2	x 2 1/4	2.0015	2.0030	2.2520	2.2540	3
EP323818	2	x 2 3/8	2.0025	2.0040	2.3785	2.3800	1 1/8
EP323824	2	x 2 3/8	2.0025	2.0040	2.3785	2.3800	1 1/2
EP323828	2	x 2 3/8	2.0025	2.0040	2.3785	2.3800	1 3/4
EP323832	2	x 2 3/8	2.0025	2.0040	2.3785	2.3800	2
EP323840	2	x 2 3/8	2.0025	2.0040	2.3785	2.3800	2 1/2
EP323844	2	x 2 3/8	2.0025	2.0040	2.3785	2.3800	2 3/4
EP323848	2	x 2 3/8	2.0025	2.0040	2.3785	2.3800	3
EP323856	2	x 2 3/8	2.0025	2.0040	2.3785	2.3800	3 1/2
EP323864	2	x 2 3/8	2.0025	2.0040	2.3785	2.3800	4
AA2304-6	2	x 2 3/8	2.0015	2.0030	2.3775	2.3790	1 1/8
AA2304-7	2	x 2 3/8	2.0015	2.0030	2.3775	2.3790	1 1/2
AA2304	2	x 2 3/8	2.0015	2.0030	2.3775	2.3790	1 3/4
AA2304-1	2	x 2 3/8	2.0015	2.0030	2.3775	2.3790	2
AA2304-2	2	x 2 3/8	2.0015	2.0030	2.3775	2.3790	2 1/2
AA2304-3	2	x 2 3/8	2.0015	2.0030	2.3775	2.3790	3
AA2304-4*	2	x 2 3/8	2.0015	2.0030	2.3775	2.3790	3 1/2
AA2304-5	2	x 2 3/8	2.0015	2.0030	2.3775	2.3790	4
EP324016	2	x 2 1/2	2.0025	2.0040	2.5035	2.5050	1
EP324024	2	x 2 1/2	2.0025	2.0040	2.5035	2.5050	1 1/2
EP324032	2	x 2 1/2	2.0025	2.0040	2.5035	2.5050	2

*When current inventory is depleted, these sizes will be supplied on special order basis only. Minimum order quantities may apply.

Length Size	Tolerance
-- to 1.495"	±0.005"
1.496" to 2.990"	±0.0075"
2.991" to 4.895"	±0.010"

If you require any further assistance, please call: 419-866-7000
or email: buntinginfo@buntingbearings.com



Powdered Metal SAE 841 Bronze Sleeve (Plain) Bearings

PART NUMBER	NOMINAL SIZES		I.D. Min.	I.D. Max.	O.D. Min.	O.D. Max.	LENGTH
	I.D.	O.D.					
EP324040	2	x 2 1/2	2.0025	2.0040	2.5035	2.5050	2 1/2
EP324048	2	x 2 1/2	2.0025	2.0040	2.5035	2.5050	3
EP324056	2	x 2 1/2	2.0025	2.0040	2.5035	2.5050	3 1/2
EP324064	2	x 2 1/2	2.0025	2.0040	2.5035	2.5050	4
AA2501-1	2	x 2 1/2	2.0015	2.0030	2.5015	2.5030	1 1/2
AA2501-2	2	x 2 1/2	2.0015	2.0030	2.5015	2.5030	2
AA2501-3	2	x 2 1/2	2.0015	2.0030	2.5015	2.5030	2 1/2
AA2501	2	x 2 1/2	2.0015	2.0030	2.5015	2.5030	3
AA2303-1	2 3/16	x 2 3/8	2.1750	2.1900	2.3775	2.3790	1 1/2
EP364232	2 1/4	x 2 5/8	2.2525	2.2540	2.6290	2.6310	2
EP364240	2 1/4	x 2 5/8	2.2525	2.2540	2.6290	2.6310	2 1/2
EP364248	2 1/4	x 2 5/8	2.2525	2.2540	2.6290	2.6310	3
AA2605-3	2 1/4	x 2 5/8	2.2525	2.2540	2.6275	2.6295	2
AA2605-5	2 1/4	x 2 5/8	2.2525	2.2540	2.6275	2.6295	3
AA2605	2 1/4	x 2 5/8	2.2525	2.2540	2.6275	2.6295	3 1/2
AA2605-2	2 1/4	x 2 5/8	2.2525	2.2540	2.6275	2.6295	4 1/2
EP364432	2 1/4	x 2 3/4	2.2525	2.2540	2.7540	2.7560	2
EP364448	2 1/4	x 2 3/4	2.2525	2.2540	2.7540	2.7560	3
AA2703-1	2 1/4	x 2 3/4	2.2515	2.2530	2.7510	2.7530	1 1/2
AA2703-2	2 1/4	x 2 3/4	2.2515	2.2530	2.7510	2.7530	2
AA2703	2 1/4	x 2 3/4	2.2515	2.2530	2.7510	2.7530	3
AA2602-3*	2 3/8	x 2 5/8	2.3755	2.3770	2.6275	2.6295	1 1/4
AA2602*	2 3/8	x 2 5/8	2.3755	2.3770	2.6275	2.6295	1 5/8
EP384432	2 3/8	x 2 3/4	2.3775	2.3790	2.7540	2.7560	2
EP384440*	2 3/8	x 2 3/4	2.3775	2.3790	2.7540	2.7560	2 1/2
EP384448	2 3/8	x 2 3/4	2.3775	2.3790	2.7540	2.7560	3
AA2701-2	2 3/8	x 2 3/4	2.3775	2.3790	2.7510	2.7530	2
AA2701-6	2 3/8	x 2 3/4	2.3775	2.3790	2.7510	2.7530	2 1/2
AA2701	2 3/8	x 2 3/4	2.3775	2.3790	2.7510	2.7530	3
EP404432	2 1/2	x 2 3/4	2.5035	2.5050	2.7540	2.7560	2
EP404448	2 1/2	x 2 3/4	2.5035	2.5050	2.7540	2.7560	3
EP404464	2 1/2	x 2 3/4	2.5035	2.5050	2.7540	2.7560	4
AA2702-5	2 1/2	x 2 3/4	2.5035	2.5050	2.7520	2.7540	2
AA2702-4	2 1/2	x 2 3/4	2.5035	2.5050	2.7520	2.7540	2 1/2
AA2702-1	2 1/2	x 2 3/4	2.5035	2.5050	2.7520	2.7540	3
EP404636	2 1/2	x 2 7/8	2.5035	2.5050	2.8790	2.8810	2 1/4
EP404640	2 1/2	x 2 7/8	2.5035	2.5050	2.8790	2.8810	2 1/2
EP404648	2 1/2	x 2 7/8	2.5035	2.5050	2.8790	2.8810	3
AA2803-1	2 1/2	x 2 7/8	2.5025	2.5040	2.8780	2.8800	2 1/4
AA2803-3	2 1/2	x 2 7/8	2.5025	2.5040	2.8780	2.8800	2 1/2
AA2803-2	2 1/2	x 2 7/8	2.5025	2.5040	2.8780	2.8800	3
EP404832	2 1/2	x 3	2.5035	2.5050	3.0040	3.0060	2
EP404848	2 1/2	x 3	2.5035	2.5050	3.0040	3.0060	3
EP404864	2 1/2	x 3	2.5035	2.5050	3.0040	3.0060	4
AA3005-7	2 1/2	x 3	2.5025	2.5040	3.0030	3.0050	2

*When current inventory is depleted, these sizes will be supplied on special order basis only. Minimum order quantities may apply.

Length Size	Tolerance
-- to 1.495"	±0.005"
1.496" to 2.990"	±0.0075"
2.991" to 4.895"	±0.010"



Powdered Metal SAE 841 Bronze Sleeve (Plain) Bearings

PART NUMBER	NOMINAL SIZES			I.D. Min.	I.D. Max.	O.D. Min.	O.D. Max.	LENGTH
	I.D.		O.D.					
AA3005-4	2 1/2	x	3	2.5025	2.5040	3.0030	3.0050	2 1/2
AA3005-1	2 1/2	x	3	2.5025	2.5040	3.0030	3.0050	3
AA3005	2 1/2	x	3	2.5025	2.5040	3.0030	3.0050	4
AA3006-1	2 3/4	x	3	2.7510	2.7530	3.0030	3.0050	1 1/2
AA3006	2 3/4	x	3	2.7510	2.7530	3.0030	3.0050	2 1/2
AA3100-7	2 3/4	x	3 1/8	2.7510	2.7530	3.1260	3.1290	1 1/4
AA3100	2 3/4	x	3 1/8	2.7510	2.7530	3.1260	3.1290	2 3/4
AA3100-11	2 3/4	x	3 1/8	2.7510	2.7530	3.1260	3.1290	4
EP445232	2 3/4	x	3 1/4	2.7530	2.7550	3.2540	3.2570	2
EP445248	2 3/4	x	3 1/4	2.7530	2.7550	3.2540	3.2570	3
EP445264	2 3/4	x	3 1/4	2.7530	2.7550	3.2540	3.2570	4
AA3201-1	2 3/4	x	3 1/4	2.7500	2.7520	3.2510	3.2540	1 1/2
AA3201-4	2 3/4	x	3 1/4	2.7500	2.7520	3.2510	3.2540	2
AA3201-7	2 3/4	x	3 1/4	2.7500	2.7520	3.2510	3.2540	3
AA3201	2 3/4	x	3 1/4	2.7500	2.7520	3.2510	3.2540	4
AA3301-3	2 15/16	x	3 5/16	2.9380	2.9400	3.3120	3.3150	3
EP485232	3	x	3 1/4	3.0040	3.0060	3.2540	3.2570	2
EP485248	3	x	3 1/4	3.0040	3.0060	3.2540	3.2570	3
AA3200-5	3	x	3 1/4	3.0000	3.0020	3.2520	3.2550	1 1/4
AA3200	3	x	3 1/4	3.0000	3.0020	3.2520	3.2550	2
AA3200-2	3	x	3 1/4	3.0000	3.0020	3.2520	3.2550	3
EP485632	3	x	3 1/2	3.0040	3.0060	3.5040	3.5070	2
EP485640	3	x	3 1/2	3.0040	3.0060	3.5040	3.5070	2 1/2
EP485648	3	x	3 1/2	3.0040	3.0060	3.5040	3.5070	3
EP485664	3	x	3 1/2	3.0040	3.0060	3.5040	3.5070	4
AA3502-7	3	x	3 1/2	3.0020	3.0040	3.5020	3.5050	2 1/2
AA3502-8	3	x	3 1/2	3.0020	3.0040	3.5020	3.5050	3
AA3502-3	3	x	3 1/2	3.0020	3.0040	3.5020	3.5050	4
AA3600-5	3 1/4	x	3 5/8	3.2500	3.2530	3.6250	3.6280	4
EP566432	3 1/2	x	4	3.5040	3.5070	4.0050	4.0080	2
EP566448	3 1/2	x	4	3.5040	3.5070	4.0050	4.0080	3
EP566456	3 1/2	x	4	3.5040	3.5070	4.0050	4.0080	3 1/2
EP566464	3 1/2	x	4	3.5040	3.5070	4.0050	4.0080	4
AA4000-3	3 1/2	x	4	3.5005	3.5035	4.0010	4.0040	2
AA4000-5	3 1/2	x	4	3.5005	3.5035	4.0010	4.0040	3
AA4000-6	3 1/2	x	4	3.5005	3.5035	4.0010	4.0040	3 1/2
AA4000	3 1/2	x	4	3.5005	3.5035	4.0010	4.0040	4
EP647264	4	x	4 1/2	4.0050	4.0080	4.5050	4.5090	4
AA4500	4	x	4 1/2	4.0005	4.0035	4.5000	4.5040	4
AA4500-2	4	x	4 1/2	4.0005	4.0035	4.5000	4.5040	6
AA4600-5	4	x	4 5/8	4.0000	4.0030	4.6240	4.6280	4
AA5201	4 1/2	x	5 1/4	4.5000	4.5040	5.2505	5.2545	5
AA5700-1	5	x	5 3/4	5.0000	5.0040	5.7510	5.7550	2

*When current inventory is depleted, these sizes will be supplied on special order basis only. Minimum order quantities may apply.

Length Size	Tolerance
-- to 1.495"	±0.005"
1.496" to 2.990"	±0.0075"
2.991" to 4.895"	±0.010"

If you require any further assistance, please call: 419-866-7000
or email: buntinginfo@buntingbearings.com



Powdered Metal SAE 841 Bronze Flanged Bearings

PART NUMBER	NOMINAL SIZES		I.D. Min.	I.D. Max.	O.D. Min.	O.D. Max.	LENGTH	FLANGE O.D.	FLANGE THK.
	I.D.	O.D.							
FF207-2	1/8	x 1/4	0.1250	0.1260	0.2510	0.2520	1/4	5/16	1/16
FF207-3	1/8	x 1/4	0.1250	0.1260	0.2510	0.2520	3/8	5/16	1/16
FFB25-2*	1/8	x 5/16	0.1260	0.1270	0.3140	0.3150	1/4	3/8	3/64
FFB25-3*	1/8	x 5/16	0.1260	0.1270	0.3140	0.3150	3/8	3/8	3/64
EF030503	3/16	x 5/16	0.1885	0.1895	0.3145	0.3155	3/16	7/16	1/16
EF030504	3/16	x 5/16	0.1885	0.1895	0.3145	0.3155	1/4	7/16	1/16
EF030505	3/16	x 5/16	0.1885	0.1895	0.3145	0.3155	5/16	7/16	1/16
EF030506	3/16	x 5/16	0.1885	0.1895	0.3145	0.3155	3/8	7/16	1/16
EF030508	3/16	x 5/16	0.1885	0.1895	0.3145	0.3155	1/2	7/16	1/16
FF313-1	3/16	x 5/16	0.1860	0.1870	0.3120	0.3130	1/4	3/8	1/16
FF313-2	3/16	x 5/16	0.1860	0.1870	0.3120	0.3130	3/8	3/8	1/16
FF303-1	3/16	x 5/16	0.1885	0.1895	0.3130	0.3140	3/16	7/16	1/16
FF303-3	3/16	x 5/16	0.1885	0.1895	0.3130	0.3140	1/4	7/16	1/16
FF303-2	3/16	x 5/16	0.1885	0.1895	0.3130	0.3140	5/16	7/16	1/16
FF303	3/16	x 5/16	0.1885	0.1895	0.3130	0.3140	3/8	7/16	1/16
FF303-4	3/16	x 5/16	0.1885	0.1895	0.3130	0.3140	1/2	7/16	1/16
FFB35-1	3/16	x 5/16	0.1880	0.1890	0.3135	0.3145	1/8	3/8	3/64
FFB35-2	3/16	x 5/16	0.1880	0.1890	0.3135	0.3145	1/4	3/8	3/64
FFB35-3	3/16	x 5/16	0.1880	0.1890	0.3135	0.3145	3/8	3/8	3/64
FF307	3/16	x 3/8	0.1885	0.1895	0.3755	0.3765	3/8	7/16	1/16
FF307-2	3/16	x 3/8	0.1885	0.1895	0.3755	0.3765	1/2	7/16	1/16
EF040603	1/4	x 3/8	0.2510	0.2520	0.3770	0.3780	3/16	1/2	1/16
EF040604	1/4	x 3/8	0.2510	0.2520	0.3770	0.3780	1/4	1/2	1/16
EF040606	1/4	x 3/8	0.2510	0.2520	0.3770	0.3780	3/8	1/2	1/16
EF040607	1/4	x 3/8	0.2510	0.2520	0.3770	0.3780	7/16	1/2	1/16
EF040608	1/4	x 3/8	0.2510	0.2520	0.3770	0.3780	1/2	1/2	1/16
EF040610	1/4	x 3/8	0.2510	0.2520	0.3770	0.3780	5/8	1/2	1/16
EF040612	1/4	x 3/8	0.2510	0.2520	0.3770	0.3780	3/4	1/2	1/16
FF310	1/4	x 3/8	0.2490	0.2500	0.3800	0.3810	3/16	1/2	1/16
FF310-3	1/4	x 3/8	0.2490	0.2500	0.3800	0.3810	1/4	1/2	1/16
FF310-4	1/4	x 3/8	0.2490	0.2500	0.3800	0.3810	5/16	1/2	1/16
FF310-1	1/4	x 3/8	0.2490	0.2500	0.3800	0.3810	3/8	1/2	1/16
FF310-5	1/4	x 3/8	0.2490	0.2500	0.3800	0.3810	7/16	1/2	1/16
FF310-2	1/4	x 3/8	0.2490	0.2500	0.3800	0.3810	1/2	1/2	1/16
FF310-7	1/4	x 3/8	0.2490	0.2500	0.3800	0.3810	9/16	1/2	1/16
FF310-10	1/4	x 3/8	0.2490	0.2500	0.3800	0.3810	11/16	1/2	1/16
FF300	1/4	x 3/8	0.2510	0.2520	0.3765	0.3775	3/8	15/32	3/64
FF312	1/4	x 3/8	0.2510	0.2520	0.3765	0.3775	1/4	15/32	1/16
FF312-1	1/4	x 3/8	0.2510	0.2520	0.3765	0.3775	3/8	15/32	1/16
FF312-2	1/4	x 3/8	0.2510	0.2520	0.3765	0.3775	1/2	15/32	1/16
FF375-1	1/4	x 3/8	0.2520	0.2530	0.3760	0.3770	1/2	1/2	1/16
FFB46-2	1/4	x 3/8	0.2510	0.2520	0.3760	0.3770	1/4	1/2	3/64
FFB46-3	1/4	x 3/8	0.2510	0.2520	0.3760	0.3770	3/8	1/2	3/64
FFB46-4	1/4	x 3/8	0.2510	0.2520	0.3760	0.3770	1/2	1/2	3/64
FFB46-5	1/4	x 3/8	0.2510	0.2520	0.3760	0.3770	5/8	1/2	3/64

*When current inventory is depleted, these sizes will be supplied on special order basis only. Minimum order quantities may apply.

Length Size	Tolerance
-- to 1.495"	±0.005"
1.496" to 2.990"	±0.0075"
2.991" to 4.895"	±0.010"

Flange O.D. Size	Flange O.D. Tolerance
0 to 1.5"	±0.005"
Over 1.5" to 3"	±0.010"
Over 3" to 6"	±0.025"

Flange O.D. Size	Flange Thickness Tolerance
0 to 1.5"	±0.005"
Over 1.5" to 3"	±0.010"
Over 3" to 6"	±0.015"



Powdered Metal SAE 841 Bronze Flanged Bearings

PART NUMBER	NOMINAL SIZES		I.D. Min.	I.D. Max.	O.D. Min.	O.D. Max.	LENGTH	FLANGE O.D.	FLANGE THK.
	I.D.	O.D.							
FFB46-6	1/4	x 3/8	0.2510	0.2520	0.3760	0.3770	3/4	1/2	3/64
FF435-1	1/4	x 7/16	0.2500	0.2510	0.4385	0.4395	1/2	1/2	1/16
FF565-2	1/4	x 1/2	0.2510	0.2520	0.5020	0.5030	5/8	5/8	1/16
FF565-3	1/4	x 1/2	0.2510	0.2520	0.5020	0.5030	3/4	5/8	1/16
FFB56-3	5/16	x 3/8	0.3130	0.3140	0.3760	0.3770	3/8	1/2	3/64
EF050706	5/16	x 7/16	0.3135	0.3145	0.4395	0.4405	3/8	9/16	1/16
EF050708	5/16	x 7/16	0.3135	0.3145	0.4395	0.4405	1/2	9/16	1/16
EF050712	5/16	x 7/16	0.3135	0.3145	0.4395	0.4405	3/4	9/16	1/16
FF411-1	5/16	x 7/16	0.3115	0.3125	0.4390	0.4400	3/8	9/16	1/16
FF411-2	5/16	x 7/16	0.3115	0.3125	0.4390	0.4400	1/2	9/16	1/16
FF411-4	5/16	x 7/16	0.3115	0.3125	0.4390	0.4400	7/8	9/16	1/16
FFB57-3	5/16	x 7/16	0.3130	0.3140	0.4380	0.4390	3/8	5/8	3/32
FFB57-6	5/16	x 7/16	0.3130	0.3140	0.4380	0.4390	3/4	5/8	3/32
EF050806	5/16	x 1/2	0.3135	0.3145	0.5020	0.5030	3/8	11/16	1/16
FF501-2	5/16	x 1/2	0.3125	0.3135	0.5010	0.5020	3/8	9/16	1/16
FFB58-3	5/16	x 1/2	0.3130	0.3140	0.5010	0.5020	3/8	11/16	3/32
FFB58-4	5/16	x 1/2	0.3130	0.3140	0.5010	0.5020	1/2	11/16	3/32
FFB58-5	5/16	x 1/2	0.3130	0.3140	0.5010	0.5020	5/8	11/16	3/32
EF060804	3/8	x 1/2	0.3760	0.3770	0.5020	0.5030	1/4	11/16	1/16
EF060806	3/8	x 1/2	0.3760	0.3770	0.5020	0.5030	3/8	11/16	1/16
EF060808	3/8	x 1/2	0.3760	0.3770	0.5020	0.5030	1/2	11/16	1/16
EF060812	3/8	x 1/2	0.3760	0.3770	0.5020	0.5030	3/4	11/16	1/16
EF060816	3/8	x 1/2	0.3760	0.3770	0.5020	0.5030	1	11/16	1/16
FF520-15	3/8	x 1/2	0.3755	0.3765	0.5010	0.5020	1/4	5/8	1/16
FF520-9	3/8	x 1/2	0.3755	0.3765	0.5010	0.5020	5/16	5/8	1/16
FF520-10	3/8	x 1/2	0.3755	0.3765	0.5010	0.5020	3/8	5/8	1/16
FF520-5	3/8	x 1/2	0.3755	0.3765	0.5010	0.5020	1/2	5/8	1/16
FF512-2	3/8	x 1/2	0.3755	0.3765	0.5020	0.5030	1/2	5/8	3/32
FF512-3	3/8	x 1/2	0.3755	0.3765	0.5020	0.5030	5/8	5/8	3/32
FF519-2	3/8	x 1/2	0.3770	0.3780	0.5020	0.5030	1/2	3/4	3/32
FFB68-3*	3/8	x 1/2	0.3760	0.3770	0.5010	0.5020	3/8	11/16	3/32
FFB68-3.5	3/8	x 1/2	0.3760	0.3770	0.5010	0.5020	13/32	11/16	3/32
FFB68-4	3/8	x 1/2	0.3760	0.3770	0.5010	0.5020	1/2	11/16	3/32
FFB68-5	3/8	x 1/2	0.3760	0.3770	0.5010	0.5020	5/8	11/16	3/32
FFB68-6	3/8	x 1/2	0.3760	0.3770	0.5010	0.5020	3/4	11/16	3/32
FFB68-8	3/8	x 1/2	0.3760	0.3770	0.5010	0.5020	1	11/16	3/32
FFB68-10	3/8	x 1/2	0.3760	0.3770	0.5010	0.5020	1 1/4	11/16	3/32
EF060908	3/8	x 9/16	0.3760	0.3770	0.5645	0.5655	1/2	11/16	1/16
EF060912	3/8	x 9/16	0.3760	0.3770	0.5645	0.5655	3/4	11/16	1/16
FF503-6	3/8	x 9/16	0.3750	0.3760	0.5630	0.5640	1/2	.7400	1/16
FF503-4	3/8	x 9/16	0.3750	0.3760	0.5630	0.5640	11/16	.7400	1/16
FF503	3/8	x 9/16	0.3750	0.3760	0.5630	0.5640	13/16	.7400	1/16
FFB69-6	3/8	x 9/16	0.3760	0.3770	0.5635	0.5645	3/4	3/4	1/8
FFB69-10*	3/8	x 9/16	0.3760	0.3770	0.5635	0.5645	1 1/4	3/4	1/8
EF061008	3/8	x 5/8	0.3760	0.3770	0.6270	0.6280	1/2	7/8	1/16

*When current inventory is depleted, these sizes will be supplied on special order basis only. Minimum order quantities may apply.

Length Size	Tolerance
- to 1.495"	±0.005"
1.496" to 2.990"	±0.0075"
2.991" to 4.895"	±0.010"

Flange O.D. Size	Flange O.D. Tolerance
0 to 1.5"	±0.005"
Over 1.5" to 3"	±0.010"
Over 3" to 6"	±0.025"

Flange O.D. Size	Flange Thickness Tolerance
0 to 1.5"	±0.005"
Over 1.5" to 3"	±0.010"
Over 3" to 6"	±0.015"

If you require any further assistance, please call: 419-866-7000
or email: buntinginfo@buntingbearings.com



Powdered Metal SAE 841 Bronze Flanged Bearings

PART NUMBER	NOMINAL SIZES		I.D. Min.	I.D. Max.	O.D. Min.	O.D. Max.	LENGTH	FLANGE O.D.	FLANGE THK.
	I.D.	O.D.							
EF061012	3/8	x 5/8	0.3760	0.3770	0.6270	0.6280	3/4	7/8	1/16
EF061016	3/8	x 5/8	0.3760	0.3770	0.6270	0.6280	1	7/8	1/16
EF061020	3/8	x 5/8	0.3760	0.3770	0.6270	0.6280	1 1/4	7/8	1/16
FF607-2	3/8	x 5/8	0.3750	0.3760	0.6260	0.6270	1/2	7/8	1/16
FF607-3*	3/8	x 5/8	0.3750	0.3760	0.6260	0.6270	3/4	7/8	1/16
FF607-1*	3/8	x 5/8	0.3750	0.3760	0.6260	0.6270	1 1/4	7/8	1/16
FFB610-4	3/8	x 5/8	0.3760	0.3770	0.6260	0.6270	1/2	7/8	1/8
FFB610-6	3/8	x 5/8	0.3760	0.3770	0.6260	0.6270	3/4	7/8	1/8
FFB610-10	3/8	x 5/8	0.3760	0.3770	0.6260	0.6270	1 1/4	7/8	1/8
FFB612-4	3/8	x 3/4	0.3760	0.3770	0.7520	0.7530	1/2	1	1/8
EF070908	7/16	x 9/16	0.4385	0.4395	0.5645	0.5655	1/2	11/16	1/16
EF070912	7/16	x 9/16	0.4385	0.4395	0.5645	0.5655	3/4	11/16	1/16
FF504-3	7/16	x 9/16	0.4380	0.4390	0.5640	0.5650	1/2	11/16	1/16
FF504	7/16	x 9/16	0.4380	0.4390	0.5640	0.5650	5/8	11/16	1/16
FF504-1*	7/16	x 9/16	0.4380	0.4390	0.5640	0.5650	3/4	11/16	1/16
EF071012	7/16	x 5/8	0.4385	0.4395	0.6270	0.6280	3/4	7/8	1/8
EF071020	7/16	x 5/8	0.4385	0.4395	0.6270	0.6280	1 1/4	7/8	1/8
FF608-3	7/16	x 5/8	0.4375	0.4385	0.6260	0.6270	3/4	7/8	1/8
FF608*	7/16	x 5/8	0.4375	0.4385	0.6260	0.6270	1 1/4	7/8	1/8
FFB710-5	7/16	x 5/8	0.4380	0.4390	0.6270	0.6280	5/8	7/8	1/8
FFB710-10	7/16	x 5/8	0.4380	0.4390	0.6270	0.6280	1 1/4	7/8	1/8
EF081005	1/2	x 5/8	0.5010	0.5020	0.6270	0.6280	5/16	7/8	1/8
EF081006	1/2	x 5/8	0.5010	0.5020	0.6270	0.6280	3/8	7/8	1/8
EF081008	1/2	x 5/8	0.5010	0.5020	0.6270	0.6280	1/2	7/8	1/8
EF081010	1/2	x 5/8	0.5010	0.5020	0.6270	0.6280	5/8	7/8	1/8
EF081012	1/2	x 5/8	0.5010	0.5020	0.6270	0.6280	3/4	7/8	1/8
EF081016	1/2	x 5/8	0.5010	0.5020	0.6270	0.6280	1	7/8	1/8
EF081020	1/2	x 5/8	0.5010	0.5020	0.6270	0.6280	1 1/4	7/8	1/8
EF081024	1/2	x 5/8	0.5010	0.5020	0.6270	0.6280	1 1/2	7/8	1/8
FF636-3	1/2	x 5/8	0.5010	0.5020	0.6260	0.6270	5/16	3/4	3/32
FF636-2	1/2	x 5/8	0.5010	0.5020	0.6260	0.6270	3/8	3/4	3/32
FF620-1	1/2	x 5/8	0.5010	0.5020	0.6260	0.6270	1/2	7/8	1/16
FF620-5	1/2	x 5/8	0.5010	0.5020	0.6260	0.6270	9/16	7/8	1/16
FF620-7	1/2	x 5/8	0.5010	0.5020	0.6260	0.6270	5/8	7/8	1/16
FF620	1/2	x 5/8	0.5010	0.5020	0.6260	0.6270	11/16	7/8	1/16
FF620-2	1/2	x 5/8	0.5010	0.5020	0.6260	0.6270	3/4	7/8	1/16
FF620-6	1/2	x 5/8	0.5010	0.5020	0.6260	0.6270	15/16	7/8	1/16
FF620-3	1/2	x 5/8	0.5010	0.5020	0.6260	0.6270	1	7/8	1/16
FF620-4	1/2	x 5/8	0.5010	0.5020	0.6260	0.6270	1 1/8	7/8	1/16
FF600-5	1/2	x 5/8	0.5010	0.5020	0.6260	0.6270	1/2	31/32	3/32
FF600-2	1/2	x 5/8	0.5010	0.5020	0.6260	0.6270	1	31/32	3/32
FF600	1/2	x 5/8	0.5010	0.5020	0.6260	0.6270	1 3/4	31/32	3/32
FFB810-4	1/2	x 5/8	0.5010	0.5020	0.6270	0.6280	1/2	7/8	1/8
FFB810-5	1/2	x 5/8	0.5010	0.5020	0.6270	0.6280	5/8	7/8	1/8
FFB810-6	1/2	x 5/8	0.5010	0.5020	0.6270	0.6280	3/4	7/8	1/8

*When current inventory is depleted, these sizes will be supplied on special order basis only. Minimum order quantities may apply.

Length Size	Tolerance
-- to 1.495"	±0.005"
1.496" to 2.990"	±0.0075"
2.991" to 4.895"	±0.010"

Flange O.D. Size	Flange O.D. Tolerance
0 to 1.5"	±0.005"
Over 1.5" to 3"	±0.010"
Over 3" to 6"	±0.025"

Flange O.D. Size	Flange Thickness Tolerance
0 to 1.5"	±0.005"
Over 1.5" to 3"	±0.010"
Over 3" to 6"	±0.015"



Powdered Metal SAE 841 Bronze Flanged Bearings

PART NUMBER	NOMINAL SIZES		I.D. Min.	I.D. Max.	O.D. Min.	O.D. Max.	LENGTH	FLANGE O.D.	FLANGE THK.
	I.D.	O.D.							
FFB810-8	1/2	x 5/8	0.5010	0.5020	0.6270	0.6280	1	7/8	1/8
FFB810-10*	1/2	x 5/8	0.5010	0.5020	0.6270	0.6280	1 1/4	7/8	1/8
FFB810-12	1/2	x 5/8	0.5010	0.5020	0.6270	0.6280	1 1/2	7/8	1/8
EF081105	1/2	x 11/16	0.5010	0.5020	0.6895	0.6905	5/16	7/8	1/8
EF081108	1/2	x 11/16	0.5010	0.5020	0.6895	0.6905	1/2	7/8	1/8
EF081112	1/2	x 11/16	0.5010	0.5020	0.6895	0.6905	3/4	7/8	1/8
FF609-1	1/2	x 11/16	0.5010	0.5020	0.6900	0.6910	5/16	13/16	1/16
FF609-3	1/2	x 11/16	0.5010	0.5020	0.6900	0.6910	1/2	13/16	1/16
FF609-4	1/2	x 11/16	0.5010	0.5020	0.6900	0.6910	3/4	13/16	1/16
FF609*	1/2	x 11/16	0.5010	0.5020	0.6900	0.6910	13/16	13/16	1/16
FF604-2	1/2	x 11/16	0.5010	0.5020	0.6900	0.6910	1/2	31/32	3/32
FF604-1	1/2	x 11/16	0.5010	0.5020	0.6900	0.6910	3/4	31/32	3/32
FF604*	1/2	x 11/16	0.5010	0.5020	0.6900	0.6910	13/16	31/32	3/32
FFB811-4	1/2	x 11/16	0.5010	0.5020	0.6890	0.6900	1/2	15/16	1/8
FFB811-6	1/2	x 11/16	0.5010	0.5020	0.6890	0.6900	3/4	15/16	1/8
EF081208	1/2	x 3/4	0.5010	0.5020	0.7520	0.7530	1/2	1	1/8
EF081210	1/2	x 3/4	0.5010	0.5020	0.7520	0.7530	5/8	1	1/8
EF081212	1/2	x 3/4	0.5010	0.5020	0.7520	0.7530	3/4	1	1/8
EF081214	1/2	x 3/4	0.5010	0.5020	0.7520	0.7530	7/8	1	1/8
EF081216	1/2	x 3/4	0.5010	0.5020	0.7520	0.7530	1	1	1/8
EF081220	1/2	x 3/4	0.5010	0.5020	0.7520	0.7530	1 1/4	1	1/8
FF707-5	1/2	x 3/4	0.5010	0.5020	0.7520	0.7530	1/2	15/16	1/8
FF707-2	1/2	x 3/4	0.5010	0.5020	0.7520	0.7530	3/4	15/16	1/8
FF707-3	1/2	x 3/4	0.5010	0.5020	0.7520	0.7530	1	15/16	1/8
FF710	1/2	x 3/4	0.5020	0.5030	0.7520	0.7530	3/4	15/16	1/8
FF723-5	1/2	x 3/4	0.5040	0.5050	0.7520	0.7530	3/8	1	1/8
FF723-1	1/2	x 3/4	0.5040	0.5050	0.7520	0.7530	1/2	1	1/8
FF723	1/2	x 3/4	0.5040	0.5050	0.7520	0.7530	5/8	1	1/8
FFB812-4	1/2	x 3/4	0.5010	0.5020	0.7520	0.7530	1/2	1	1/8
FFB812-6	1/2	x 3/4	0.5010	0.5020	0.7520	0.7530	3/4	1	1/8
FFB812-7	1/2	x 3/4	0.5010	0.5020	0.7520	0.7530	7/8	1	1/8
FFB812-8	1/2	x 3/4	0.5010	0.5020	0.7520	0.7530	1	1	1/8
FFB812-10	1/2	x 3/4	0.5010	0.5020	0.7520	0.7530	1 1/4	1	1/8
FFB812-12	1/2	x 3/4	0.5010	0.5020	0.7520	0.7530	1 1/2	1	1/8
FFB912-8	9/16	x 3/4	0.5640	0.5650	0.7520	0.7530	1	1	1/8
EF101210	5/8	x 3/4	0.6260	0.6270	0.7520	0.7530	5/8	1	1/8
EF101212	5/8	x 3/4	0.6260	0.6270	0.7520	0.7530	3/4	1	1/8
EF101216	5/8	x 3/4	0.6260	0.6270	0.7520	0.7530	1	1	1/8
EF101218	5/8	x 3/4	0.6260	0.6270	0.7520	0.7530	1 1/8	1	1/8
FF703-3	5/8	x 3/4	0.6255	0.6265	0.7515	0.7525	5/8	1	3/32
FF703-7	5/8	x 3/4	0.6255	0.6265	0.7515	0.7525	3/4	1	3/32
FF703-1	5/8	x 3/4	0.6255	0.6265	0.7515	0.7525	1	1	3/32
FF703*	5/8	x 3/4	0.6255	0.6265	0.7515	0.7525	1 1/8	1	3/32
FF703-6	5/8	x 3/4	0.6255	0.6265	0.7515	0.7525	1 1/4	1	3/32
FF718-1	5/8	x 3/4	0.6265	0.6275	0.7515	0.7525	1/2	7/8	1/16

*When current inventory is depleted, these sizes will be supplied on special order basis only. Minimum order quantities may apply.

Length Size	Tolerance
– to 1.495"	±0.005"
1.496" to 2.990"	±0.0075"
2.991" to 4.895"	±0.010"

Flange O.D. Size	Flange O.D. Tolerance
0 to 1.5"	±0.005"
Over 1.5" to 3"	±0.010"
Over 3" to 6"	±0.025"

Flange O.D. Size	Flange Thickness Tolerance
0 to 1.5"	±0.005"
Over 1.5" to 3"	±0.010"
Over 3" to 6"	±0.015"

If you require any further assistance, please call: 419-866-7000
or email: buntinginfo@buntingbearings.com





Powdered Metal SAE 841 Bronze Flanged Bearings

PART NUMBER	NOMINAL SIZES		I.D. Min.	I.D. Max.	O.D. Min.	O.D. Max.	LENGTH	FLANGE O.D.	FLANGE THK.
	I.D.	O.D.							
FF718-3	5/8	x 3/4	0.6265	0.6275	0.7515	0.7525	1	7/8	1/16
FF718-6	5/8	x 3/4	0.6265	0.6275	0.7515	0.7525	1 1/8	7/8	1/16
FFB1012-4	5/8	x 3/4	0.6250	0.6260	0.7520	0.7530	1/2	1	1/8
FFB1012-5	5/8	x 3/4	0.6250	0.6260	0.7520	0.7530	5/8	1	1/8
FFB1012-6	5/8	x 3/4	0.6250	0.6260	0.7520	0.7530	3/4	1	1/8
FFB1012-8	5/8	x 3/4	0.6250	0.6260	0.7520	0.7530	1	1	1/8
FFB1012-10	5/8	x 3/4	0.6250	0.6260	0.7520	0.7530	1 1/4	1	1/8
EF101312	5/8	x 13/16	0.6260	0.6270	0.8155	0.8165	3/4	1	1/8
EF101316	5/8	x 13/16	0.6260	0.6270	0.8155	0.8165	1	1	1/8
EF101320	5/8	x 13/16	0.6260	0.6270	0.8155	0.8165	1 1/4	1	1/8
EF101324	5/8	x 13/16	0.6260	0.6270	0.8155	0.8165	1 1/2	1	1/8
FF823-3*	5/8	x 1 3/16	0.6240	0.6250	0.8140	0.8150	1	1	1/8
FF823	5/8	x 1 3/16	0.6240	0.6250	0.8140	0.8150	1 1/4	1	1/8
FF842-1	5/8	x 1 3/16	0.6250	0.6260	0.8140	0.8150	1/2	1	1/8
FF842-2	5/8	x 1 3/16	0.6250	0.6260	0.8140	0.8150	3/4	1	1/8
FF842-3*	5/8	x 1 3/16	0.6250	0.6260	0.8140	0.8150	1	1	1/8
FF806-1	5/8	x 1 3/16	0.6270	0.6280	0.8150	0.8160	3/4	1 1/4	1/8
FF806	5/8	x 1 3/16	0.6270	0.6280	0.8150	0.8160	1 7/16	1 1/4	1/8
FF805-2	5/8	x 1 3/16	0.6285	0.6295	0.8145	0.8155	1/2	1	1/8
FF805	5/8	x 1 3/16	0.6285	0.6295	0.8145	0.8155	3/4	1	1/8
FF805-3	5/8	x 1 3/16	0.6285	0.6295	0.8145	0.8155	1	1	1/8
FFB1013-6	5/8	x 1 3/16	0.6260	0.6270	0.8140	0.8150	3/4	1 1/16	5/32
FFB1013-8*	5/8	x 1 3/16	0.6260	0.6270	0.8140	0.8150	1	1 1/16	5/32
FFB1013-10*	5/8	x 1 3/16	0.6260	0.6270	0.8140	0.8150	1 1/4	1 1/16	5/32
FFB1013-11.5*	5/8	x 1 3/16	0.6260	0.6270	0.8140	0.8150	1 7/16	1 1/16	5/32
FFB1013-12	5/8	x 1 3/16	0.6260	0.6270	0.8140	0.8150	1 1/2	1 1/16	5/32
EF101408	5/8	x 7/8	0.6260	0.6270	0.8780	0.8790	1/2	1 1/8	1/8
EF101410	5/8	x 7/8	0.6260	0.6270	0.8780	0.8790	5/8	1 1/8	1/8
EF101412	5/8	x 7/8	0.6260	0.6270	0.8780	0.8790	3/4	1 1/8	1/8
EF101416	5/8	x 7/8	0.6260	0.6270	0.8780	0.8790	1	1 1/8	1/8
EF101420	5/8	x 7/8	0.6260	0.6270	0.8780	0.8790	1 1/4	1 1/8	1/8
FF843-4	5/8	x 7/8	0.6260	0.6270	0.8760	0.8770	5/8	1	1/8
FF843	5/8	x 7/8	0.6260	0.6270	0.8760	0.8770	3/4	1	1/8
FF843-2	5/8	x 7/8	0.6260	0.6270	0.8760	0.8770	1	1	1/8
FF843-3*	5/8	x 7/8	0.6260	0.6270	0.8760	0.8770	1 1/4	1	1/8
FFB1014-6	5/8	x 7/8	0.6260	0.6270	0.8770	0.8780	3/4	1 1/8	5/32
FFB1014-8	5/8	x 7/8	0.6260	0.6270	0.8770	0.8780	1	1 1/8	5/32
FFB1014-14	5/8	x 7/8	0.6260	0.6270	0.8770	0.8780	1 3/4	1 1/8	5/32
EF101616	5/8	X 1	0.6260	0.6270	1.0030	1.0040	1	1 1/4	3/16
EF121408	3/4	X 7/8	0.7510	0.7520	0.8780	0.8790	1/2	1 1/8	1/8
EF121412	3/4	X 7/8	0.7510	0.7520	0.8780	0.8790	3/4	1 1/8	1/8
FF838-1	3/4	x 7/8	0.7500	0.7510	0.8760	0.8770	1/2	1	1/16
FF838-3	3/4	x 7/8	0.7500	0.7510	0.8760	0.8770	1	1	1/16
FFB1214-6	3/4	x 7/8	0.7510	0.7520	0.8770	0.8780	3/4	1 1/8	5/32
FFB1214-8	3/4	x 7/8	0.7510	0.7520	0.8770	0.8780	1	1 1/8	5/32

*When current inventory is depleted, these sizes will be supplied on special order basis only. Minimum order quantities may apply.

Length Size	Tolerance
-- to 1.495"	±0.005"
1.496" to 2.990"	±0.0075"
2.991" to 4.895"	±0.010"

Flange O.D. Size	Flange O.D. Tolerance
0 to 1.5"	±0.005"
Over 1.5" to 3"	±0.010"
Over 3" to 6"	±0.025"

Flange O.D. Size	Flange Thickness Tolerance
0 to 1.5"	±0.005"
Over 1.5" to 3"	±0.010"
Over 3" to 6"	±0.015"



Powdered Metal SAE 841 Bronze Flanged Bearings

PART NUMBER	NOMINAL SIZES		I.D. Min.	I.D. Max.	O.D. Min.	O.D. Max.	LENGTH	FLANGE O.D.	FLANGE THK.
	I.D.	O.D.							
EF121509	3/4	x 15/16	0.7510	0.7520	0.9405	0.9415	9/16	1 1/4	1/8
EF121512	3/4	x 15/16	0.7510	0.7520	0.9405	0.9415	3/4	1 1/4	1/8
EF121516	3/4	x 15/16	0.7510	0.7520	0.9405	0.9415	1	1 1/4	1/8
EF121518	3/4	x 15/16	0.7510	0.7520	0.9405	0.9415	1 1/8	1 1/4	1/8
EF121520	3/4	x 15/16	0.7510	0.7520	0.9405	0.9415	1 1/4	1 1/4	1/8
EF121524	3/4	x 15/16	0.7510	0.7520	0.9405	0.9415	1 1/2	1 1/4	1/8
FF911-3	3/4	x 15/16	0.7495	0.7505	0.9400	0.9410	3/4	1 1/8	3/32
FF911-4	3/4	x 15/16	0.7495	0.7505	0.9400	0.9410	1	1 1/8	3/32
FF901-4	3/4	x 15/16	0.7520	0.7530	0.9370	0.9380	9/16	1 5/16	1/8
FF901-6	3/4	x 15/16	0.7520	0.7530	0.9370	0.9380	3/4	1 5/16	1/8
FF901-8	3/4	x 15/16	0.7520	0.7530	0.9370	0.9380	1 1/4	1 5/16	1/8
FF901*	3/4	x 15/16	0.7520	0.7530	0.9370	0.9380	1 9/16	1 5/16	1/8
FF905*	3/4	x 15/16	0.7520	0.7530	0.9395	0.9405	1 1/8	1.175	1/8
FFB1215-8*	3/4	x 15/16	0.7510	0.7520	0.9390	0.9400	1	1 3/16	5/32
FFB1215-12*	3/4	x 15/16	0.7510	0.7520	0.9390	0.9400	1 1/2	1 3/16	5/32
EF121610	3/4	x 1	0.7510	0.7520	1.0030	1.0040	5/8	1 1/4	3/16
EF121612	3/4	x 1	0.7510	0.7520	1.0030	1.0040	3/4	1 1/4	3/16
EF121616	3/4	x 1	0.7510	0.7520	1.0030	1.0040	1	1 1/4	3/16
EF121618	3/4	x 1	0.7510	0.7520	1.0030	1.0040	1 1/8	1 1/4	3/16
EF121620	3/4	x 1	0.7510	0.7520	1.0030	1.0040	1 1/4	1 1/4	3/16
EF121624	3/4	x 1	0.7510	0.7520	1.0030	1.0040	1 1/2	1 1/4	3/16
FF1011-2	3/4	x 1	0.7495	0.7505	1.0010	1.0020	1/2	1 7/16	1/8
FF1011	3/4	x 1	0.7495	0.7505	1.0010	1.0020	5/8	1 7/16	1/8
FF1011-4	3/4	x 1	0.7495	0.7505	1.0010	1.0020	1	1 7/16	1/8
FF1011-1	3/4	x 1	0.7495	0.7505	1.0010	1.0020	1 1/8	1 7/16	1/8
FF1013-2	3/4	x 1	0.7500	0.7510	1.0010	1.0020	3/4	1 1/2	1/8
FF1013	3/4	x 1	0.7500	0.7510	1.0010	1.0020	1	1 1/2	1/8
FF1013-3	3/4	x 1	0.7500	0.7510	1.0010	1.0020	1 1/4	1 1/2	1/8
FF1013-4	3/4	x 1	0.7500	0.7510	1.0010	1.0020	1 1/2	1 1/2	1/8
FF1014-2	3/4	x 1	0.7510	0.7520	1.0010	1.0020	3/4	1 5/16	1/8
FF1014	3/4	x 1	0.7510	0.7520	1.0010	1.0020	1	1 5/16	1/8
FF1015-1	3/4	x 1	0.7520	0.7530	1.0020	1.0030	1/2	1 1/8	1/8
FF1015-2	3/4	x 1	0.7520	0.7530	1.0020	1.0030	3/4	1 1/8	1/8
FF1015	3/4	x 1	0.7520	0.7530	1.0020	1.0030	1	1 1/8	1/8
FFB1216-6	3/4	x 1	0.7510	0.7520	1.0020	1.0030	3/4	1 1/4	5/32
FFB1216-8	3/4	x 1	0.7510	0.7520	1.0020	1.0030	1	1 1/4	5/32
FFB1216-10	3/4	x 1	0.7510	0.7520	1.0020	1.0030	1 1/4	1 1/4	5/32
FFB1216-12	3/4	x 1	0.7510	0.7520	1.0020	1.0030	1 1/2	1 1/4	5/32
FFB1216-16	3/4	x 1	0.7510	0.7520	1.0020	1.0030	2	1 1/4	5/32
FF1010	3/4	x 1 1/16	0.7510	0.7520	1.0645	1.0655	1 3/16	1 3/16	1/8
EF141608	7/8	x 1	0.8760	0.8770	1.0030	1.0040	1/2	1 1/4	3/16
EF141612	7/8	x 1	0.8760	0.8770	1.0030	1.0040	3/4	1 1/4	3/16
EF141616	7/8	x 1	0.8760	0.8770	1.0030	1.0040	1	1 1/4	3/16
FF1001-2	7/8	x 1	0.8755	0.8765	1.0020	1.0030	5/8	1 1/4	1/8
FF1001-1	7/8	x 1	0.8755	0.8765	1.0020	1.0030	3/4	1 1/4	1/8

*When current inventory is depleted, these sizes will be supplied on special order basis only. Minimum order quantities may apply.

Length Size	Tolerance
- to 1.495"	±0.005"
1.496" to 2.990"	±0.0075"
2.991" to 4.895"	±0.010"

Flange O.D. Size	Flange O.D. Tolerance
0 to 1.5"	±0.005"
Over 1.5" to 3"	±0.010"
Over 3" to 6"	±0.025"

Flange O.D. Size	Flange Thickness Tolerance
0 to 1.5"	±0.005"
Over 1.5" to 3"	±0.010"
Over 3" to 6"	±0.015"

If you require any further assistance, please call: 419-866-7000
or email: buntinginfo@buntingbearings.com





Powdered Metal SAE 841 Bronze Flanged Bearings

PART NUMBER	NOMINAL SIZES		I.D. Min.	I.D. Max.	O.D. Min.	O.D. Max.	LENGTH	FLANGE O.D.	FLANGE THK.
	I.D.	O.D.							
FF1001	7/8	x 1	0.8755	0.8765	1.0020	1.0030	1	1 1/4	1/8
FFB1416-6	7/8	x 1	0.8760	0.8770	1.0020	1.0030	3/4	1 1/4	5/32
FFB1416-10	7/8	x 1	0.8760	0.8770	1.0020	1.0030	1 1/4	1 1/4	5/32
EF141812	7/8	x 1 1/8	0.8760	0.8770	1.1280	1.1290	3/4	1 1/2	1/8
EF141816	7/8	x 1 1/8	0.8760	0.8770	1.1280	1.1290	1	1 1/2	1/8
EF141820	7/8	x 1 1/8	0.8760	0.8770	1.1280	1.1290	1 1/4	1 1/2	1/8
EF141824	7/8	x 1 1/8	0.8760	0.8770	1.1280	1.1290	1 1/2	1 1/2	1/8
EF141828	7/8	x 1 1/8	0.8760	0.8770	1.1280	1.1290	1 3/4	1 1/2	1/8
FF1102-6	7/8	x 1 1/8	0.8760	0.8770	1.1270	1.1280	5/8	1 1/2	1/8
FF1102-2	7/8	x 1 1/8	0.8760	0.8770	1.1270	1.1280	1	1 1/2	1/8
FF1102-3	7/8	x 1 1/8	0.8760	0.8770	1.1270	1.1280	1 1/4	1 1/2	1/8
FF1102	7/8	x 1 1/8	0.8760	0.8770	1.1270	1.1280	1 3/4	1 1/2	1/8
FFB1418-8	7/8	x 1 1/8	0.8760	0.8770	1.1270	1.1280	1	1 3/8	5/32
FFB1418-12*	7/8	x 1 1/8	0.8760	0.8770	1.1270	1.1280	1 1/2	1 3/8	5/32
EF162012	1	x 1 1/4	1.0020	1.0030	1.2530	1.2540	3/4	1 1/2	1/8
EF162016	1	x 1 1/4	1.0020	1.0030	1.2530	1.2540	1	1 1/2	1/8
EF162020	1	x 1 1/4	1.0020	1.0030	1.2530	1.2540	1 1/4	1 1/2	1/8
EF162024	1	x 1 1/4	1.0020	1.0030	1.2530	1.2540	1 1/2	1 1/2	1/8
FF1213-1	1	x 1 1/4	1.0000	1.0010	1.2510	1.2520	3/4	1 1/2	1/8
FF1213-4	1	x 1 1/4	1.0000	1.0010	1.2510	1.2520	1 1/2	1 1/2	1/8
FF1202-4	1	x 1 1/4	1.0000	1.0010	1.2520	1.2530	3/4	1 7/8	1/8
FF1202-3	1	x 1 1/4	1.0000	1.0010	1.2520	1.2530	1	1 7/8	1/8
FF1202	1	x 1 1/4	1.0000	1.0010	1.2520	1.2530	1 1/4	1 7/8	1/8
FF1207-5	1	x 1 1/4	1.0010	1.0020	1.2510	1.2520	3/4	1 5/8	1/8
FF1207-7	1	x 1 1/4	1.0010	1.0020	1.2510	1.2520	1 1/4	1 5/8	1/8
FF1207-3	1	x 1 1/4	1.0010	1.0020	1.2510	1.2520	1 1/2	1 5/8	1/8
FF1207	1	x 1 1/4	1.0010	1.0020	1.2510	1.2520	1 3/4	1 5/8	1/8
FFB1620-6	1	x 1 1/4	1.0010	1.0020	1.2520	1.2530	3/4	1 1/2	3/16
FFB1620-8	1	x 1 1/4	1.0010	1.0020	1.2520	1.2530	1	1 1/2	3/16
FFB1620-10	1	x 1 1/4	1.0010	1.0020	1.2520	1.2530	1 1/4	1 1/2	3/16
FFB1620-12	1	x 1 1/4	1.0010	1.0020	1.2520	1.2530	1 1/2	1 1/2	3/16
FFB1620-16	1	x 1 1/4	1.0010	1.0020	1.2520	1.2530	2	1 1/2	3/16
FF1302	1	x 1 5/16	1.0000	1.0010	1.3150	1.3160	1 1/4	1 3/4	7/32
FF1302-3	1	x 1 5/16	1.0000	1.0010	1.3150	1.3160	1 1/2	1 3/4	7/32
FF1301	1	x 1 5/16	1.0005	1.0015	1.3145	1.3155	1 1/2	1 7/8	1/8
EF162212	1	x 1 3/8	1.0020	1.0030	1.3780	1.3790	3/4	1 5/8	3/16
EF162216	1	x 1 3/8	1.0020	1.0030	1.3780	1.3790	1	1 5/8	3/16
EF162224	1	x 1 3/8	1.0020	1.0030	1.3780	1.3790	1 1/2	1 5/8	3/16
EF162228	1	x 1 3/8	1.0020	1.0030	1.3780	1.3790	1 3/4	1 5/8	3/16
EF162232	1	x 1 3/8	1.0020	1.0030	1.3780	1.3790	2	1 5/8	3/16
FF1304	1	x 1 3/8	0.9990	1.0000	1.3775	1.3785	1 3/4	1 3/4	3/16
FF1304-1	1	x 1 3/8	0.9990	1.0000	1.3775	1.3785	2	1 3/4	3/16
FFB1622-8	1	x 1 3/8	1.0010	1.0020	1.3770	1.3780	1	1 5/8	3/16
FFB1622-14	1	x 1 3/8	1.0010	1.0020	1.3770	1.3780	1 3/4	1 5/8	3/16
FF1314-1	1 1/8	x 1 3/8	1.1260	1.1270	1.3760	1.3770	3/4	1 3/4	1/8

*When current inventory is depleted, these sizes will be supplied on special order basis only. Minimum order quantities may apply.

Length Size	Tolerance
-- to 1.495"	±0.005"
1.496" to 2.990"	±0.0075"
2.991" to 4.895"	±0.010"

Flange O.D. Size	Flange O.D. Tolerance
0 to 1.5"	±0.005"
Over 1.5" to 3"	±0.010"
Over 3" to 6"	±0.025"

Flange O.D. Size	Flange Thickness Tolerance
0 to 1.5"	±0.005"
Over 1.5" to 3"	±0.010"
Over 3" to 6"	±0.015"



Powdered Metal SAE 841 Bronze Flanged Bearings

PART NUMBER	NOMINAL SIZES		I.D. Min.	I.D. Max.	O.D. Min.	O.D. Max.	LENGTH	FLANGE O.D.	FLANGE THK.
	I.D.	O.D.							
FF1314-2	1 1/8	x 1 3/8	1.1260	1.1270	1.3760	1.3770	1	1 3/4	1/8
FF1314-3	1 1/8	x 1 3/8	1.1260	1.1270	1.3760	1.3770	1 1/4	1 3/4	1/8
EF202416	1 1/4	x 1 1/2	1.2525	1.2535	1.5030	1.5040	1	1 3/4	3/16
EF202420	1 1/4	x 1 1/2	1.2525	1.2535	1.5030	1.5040	1 1/4	1 3/4	3/16
EF202424	1 1/4	x 1 1/2	1.2525	1.2535	1.5030	1.5040	1 1/2	1 3/4	3/16
EF202428	1 1/4	x 1 1/2	1.2525	1.2535	1.5030	1.5040	1 3/4	1 3/4	3/16
FF1505-5	1 1/4	x 1 1/2	1.2505	1.2515	1.5020	1.5030	1/2	1 11/16	1/8
FF1505	1 1/4	x 1 1/2	1.2505	1.2515	1.5020	1.5030	1 1/4	1 11/16	1/8
FF1506-4	1 1/4	x 1 1/2	1.2510	1.2520	1.5020	1.5030	1 1/2	2	3/32
FF1506-5	1 1/4	x 1 1/2	1.2510	1.2520	1.5020	1.5030	1 3/4	2	3/32
FFB2024-10	1 1/4	x 1 1/2	1.2510	1.2520	1.5020	1.5030	1 1/4	1 3/4	3/16
FF1618	1 3/8	x 1 5/8	1.3760	1.3770	1.6265	1.6280	3/4	2	1/8
FF1618-1	1 3/8	x 1 5/8	1.3760	1.3770	1.6265	1.6280	1	2	1/8
EF242824	1 1/2	x 1 3/4	1.5030	1.5040	1.7535	1.7550	1 1/2	2	3/16
FF1704-4	1 1/2	x 1 3/4	1.5020	1.5030	1.7505	1.7520	1 1/2	2	3/32
FFB2428-12	1 1/2	x 1 3/4	1.5020	1.5030	1.7525	1.7540	1 1/2	2 1/16	3/16
EF263232	1 5/8	x 2	1.6275	1.6290	2.0035	2.0050	2	2 1/4	3/16
FF2000	1 5/8	x 2	1.6115	1.6265	2.0025	2.0040	2	2 1/4	3/16
EF283640	1 3/4	x 2 1/4	1.7525	1.7540	2.2535	2.2550	2 1/2	3	1/4
FF2204-3	1 3/4	x 2 1/4	1.7515	1.7530	2.2525	2.2540	2 1/2	3	1/4
EF323632	2	x 2 1/4	2.0025	2.0040	2.2535	2.2550	2	2 1/2	1/8
FF2203-2	2	x 2 1/4	2.0015	2.0030	2.2525	2.2540	3/4	2 1/2	1/8
FF2203-3	2	x 2 1/4	2.0015	2.0030	2.2525	2.2540	1	2 1/2	1/8
FF2203-4	2	x 2 1/4	2.0015	2.0030	2.2525	2.2540	1 1/4	2 1/2	1/8
FF2501	2	x 2 1/2	2.0005	2.0020	2.4995	2.5010	2 3/8	3	3/8
FF3200-4	2 3/4	x 3 1/4	2.7500	2.7520	3.2470	3.2500	1 1/2	4 1/2	3/16
FF3500	3	x 3 1/2	3.0000	3.0020	3.4990	3.5020	2 3/8	4	3/8

*When current inventory is depleted, these sizes will be supplied on special order basis only. Minimum order quantities may apply.

Length Size	Tolerance
-- to 1.495"	±0.005"
1.496" to 2.990"	±0.0075"
2.991" to 4.895"	±0.010"

Flange O.D. Size	Flange O.D. Tolerance
0 to 1.5"	±0.005"
Over 1.5" to 3"	±0.010"
Over 3" to 6"	±0.025"

Flange O.D. Size	Flange Thickness Tolerance
0 to 1.5"	±0.005"
Over 1.5" to 3"	±0.010"
Over 3" to 6"	±0.015"

If you require any further assistance, please call: 419-866-7000
or email: buntinginfo@buntingbearings.com





Powdered Metal SAE 841 Bronze Thrust Washers

PART NUMBER	NOMINAL SIZES			I.D. Min.	I.D. Max.	O.D. Min.	O.D. Max.	LENGTH/ THICKNESS ±0.005"
	I.D.		O.D.					
TT400	1/4	x	7/16	0.2500	0.2600	0.4325	0.4425	1/16
TT504	1/4	x	1/2	0.2500	0.2600	0.4950	0.5050	1/16
EW041001	1/4	x	5/8	0.2520	0.2560	0.6230	0.6330	1/16
TT601	1/4	x	5/8	0.2500	0.2600	0.6200	0.6300	1/16
TT602	5/16	x	5/8	0.3095	0.3195	0.6200	0.6300	1/16
EW051201	5/16	x	3/4	0.3145	0.3185	0.7480	0.7580	1/16
TT709-1	5/16	x	3/4	0.3100	0.3200	0.7450	0.7550	1/16
TT604	3/8	x	5/8	0.3800	0.3900	0.6200	0.6300	1/16
EW061201	3/8	x	3/4	0.3770	0.3810	0.7480	0.7580	1/16
EW061202	3/8	x	3/4	0.3770	0.3810	0.7480	0.7580	1/8
TT710-1	3/8	x	3/4	0.3725	0.3825	0.7450	0.7550	1/16
TT710-2	3/8	x	3/4	0.3725	0.3825	0.7450	0.7550	1/8
TT703	3/8	x	3/4	0.3850	0.3950	0.7450	0.7550	1/32
EW071201	7/16	x	3/4	0.4395	0.4435	0.7480	0.7580	1/16
TT705-1	7/16	x	3/4	0.4335	0.4435	0.7450	0.7550	1/16
EW081201	1/2	x	3/4	0.5020	0.5060	0.7480	0.7580	1/16
TT706	1/2	x	3/4	0.5020	0.5120	0.7450	0.7550	1/16
TT801	1/2	x	7/8	0.5000	0.5100	0.8700	0.8800	3/16
EW081601	1/2	x	1	0.5020	0.5060	0.9990	1.0090	1/16
EW081601.5	1/2	x	1	0.5020	0.5060	0.9990	1.0090	3/32
EW081602	1/2	x	1	0.5020	0.5060	0.9990	1.0090	1/8
TT1001	1/2	x	1	0.5050	0.5150	0.9950	1.0050	1/16
TT1001-2	1/2	x	1	0.5050	0.5150	0.9950	1.0050	3/32
TT1001-1	1/2	x	1	0.5050	0.5150	0.9950	1.0050	1/8
EW092001	9/16	x	1 1/4	0.5645	0.5685	1.2490	1.2590	1/16
EW092002	9/16	x	1 1/4	0.5645	0.5685	1.2490	1.2590	1/8
TT1200-1	9/16	x	1 1/4	0.5600	0.5700	1.2450	1.2550	1/16
TT1200*	9/16	x	1 1/4	0.5600	0.5700	1.2450	1.2550	1/8
EW101601	5/8	x	1	0.6270	0.6310	0.9990	1.0090	1/16
EW101602	5/8	x	1	0.6270	0.6310	0.9990	1.0090	1/8
TT1002-1	5/8	x	1	0.6230	0.6330	0.9950	1.0050	1/16
TT1002	5/8	x	1	0.6230	0.6330	0.9950	1.0050	1/8
EW101901	5/8	x	1 3/16	0.6270	0.6310	1.1865	1.1965	1/16
EW101902	5/8	x	1 3/16	0.6270	0.6310	1.1865	1.1965	3/32
EW101903	5/8	x	1 3/16	0.6270	0.6310	1.1865	1.1965	1/8
TT1102-1	5/8	x	1 3/16	0.6220	0.6320	1.1825	1.1925	1/16
TT1102	5/8	x	1 3/16	0.6220	0.6320	1.1825	1.1925	3/32
TT1102-2	5/8	x	1 3/16	0.6220	0.6320	1.1825	1.1925	1/8
EW102001	5/8	x	1 1/4	0.6270	0.6310	1.2490	1.2590	1/16
EW102002	5/8	x	1 1/4	0.6270	0.6310	1.2490	1.2590	1/8
TT1204	5/8	x	1 1/4	0.6230	0.6330	1.2450	1.2550	1/16
TT1204-1	5/8	x	1 1/4	0.6230	0.6330	1.2450	1.2550	1/8
TT1508-1	5/8	x	1 1/2	0.6510	0.6610	1.4950	1.5050	1/16
TT1508-2	5/8	x	1 1/2	0.6510	0.6610	1.4950	1.5050	1/8
EW122001	3/4	x	1 1/4	0.7520	0.7560	1.2490	1.2590	1/16
EW122002	3/4	x	1 1/4	0.7520	0.7560	1.2490	1.2590	1/8
TT1205	3/4	x	1 1/4	0.7480	0.7580	1.2450	1.2550	1/16
TT1205-1	3/4	x	1 1/4	0.7480	0.7580	1.2450	1.2550	1/8
EW122202	3/4	x	1 3/8	0.7520	0.7560	1.3740	1.3840	1/8
TT1303-1	3/4	x	1 3/8	0.7480	0.7580	1.3700	1.3800	1/16

*When current inventory is depleted, these sizes will be supplied on special order basis only. Minimum order quantities may apply.



Powdered Metal SAE 841 Bronze Thrust Washers

PART NUMBER	NOMINAL SIZES			I.D. Min.	I.D. Max.	O.D. Min.	O.D. Max.	LENGTH/THICKNESS ±0.005"
	I.D.		O.D.					
TT1303-2	3/4	x	1 3/8	0.7480	0.7580	1.3700	1.3800	1/8
TT1303-4	3/4	x	1 3/8	0.7480	0.7580	1.3700	1.3800	1/4
EW122502	3/4	x	1 9/16	0.7520	0.7560	1.5575	1.5775	3/32
TT1501-1*	3/4	x	1 9/16	0.7600	0.7700	1.5525	1.5725	3/32
EW122802	3/4	x	1 3/4	0.7520	0.7560	1.7450	1.7650	1/8
TT1701	3/4	x	1 3/4	0.7600	0.7700	1.7400	1.7600	1/8
EW142401	7/8	x	1 1/2	0.8770	0.8810	1.4990	1.5090	1/16
EW142402	7/8	x	1 1/2	0.8770	0.8810	1.4990	1.5090	1/8
TT1503-2	7/8	x	1 1/2	0.8855	0.8955	1.4950	1.5050	1/16
TT1503	7/8	x	1 1/2	0.8855	0.8955	1.4950	1.5050	1/8
TT2007	7/8	x	2	0.8750	0.8850	1.9900	2.0100	1/8
TT2101-1	7/8	x	2 1/8	0.8855	0.8955	2.1150	2.1350	1/8
EW162401	1	x	1 1/2	1.0030	1.0070	1.4990	1.5090	1/16
EW162402	1	x	1 1/2	1.0030	1.0070	1.4990	1.5090	1/8
TT1502-2	1	x	1 1/2	0.9980	1.0080	1.4940	1.5140	1/16
TT1502	1	x	1 1/2	0.9980	1.0080	1.4940	1.5140	1/8
TT1502-1	1	x	1 1/2	0.9980	1.0080	1.4940	1.5140	3/16
EW162601	1	x	1 5/8	1.0030	1.0070	1.6200	1.6400	1/16
EW162602	1	x	1 5/8	1.0030	1.0070	1.6200	1.6400	1/8
EW162604	1	x	1 5/8	1.0030	1.0070	1.6200	1.6400	1/4
TT1603-3	1	x	1 5/8	1.0105	1.0205	1.6150	1.6350	1/16
TT1603	1	x	1 5/8	1.0105	1.0205	1.6150	1.6350	1/8
TT1603-4	1	x	1 5/8	1.0105	1.0205	1.6150	1.6350	1/4
TT1709-1	1	x	1 3/4	1.0070	1.0170	1.7400	1.7600	1/16
TT1709	1	x	1 3/4	1.0070	1.0170	1.7400	1.7600	1/8
EW163202	1	x	2	1.0030	1.0070	1.9950	2.0150	1/8
EW163203	1	x	2	1.0030	1.0070	1.9950	2.0150	3/16
TT2001	1	x	2	1.0110	1.0210	1.9900	2.0100	1/8
TT2001-1	1	x	2	1.0110	1.0210	1.9900	2.0100	3/16
TT2800	1	x	2 7/8	1.0105	1.0205	2.8650	2.8850	1/8
TT2301-4	1 1/16	x	2 3/8	1.0575	1.0675	2.3650	2.3850	1/16
TT2301-3	1 1/16	x	2 3/8	1.0575	1.0675	2.3650	2.3850	1/8
TT1800-1	1 1/8	x	1 7/8	1.1350	1.1450	1.8650	1.8850	1/8
EW202702	1 1/4	x	1 11/16	1.2535	1.2575	1.6825	1.7025	1/8
TT1602	1 1/4	x	1 11/16	1.2480	1.2580	1.6800	1.7000	1/8
EW203201	1 1/4	x	2	1.2535	1.2575	1.9950	2.0150	1/16
EW203202	1 1/4	x	2	1.2535	1.2575	1.9950	2.0150	1/8
TT2006	1 1/4	x	2	1.2600	1.2700	1.9900	2.0100	1/16
TT2006-1	1 1/4	x	2	1.2600	1.2700	1.9900	2.0100	1/8
TT2304-1	1 1/4	x	2 3/8	1.2600	1.2700	2.3650	2.3850	1/16
TT2304-2	1 1/4	x	2 3/8	1.2600	1.2700	2.3650	2.3850	1/8
TT3301	1 1/4	x	3 5/16	1.2500	1.2600	3.2870	3.3370	1/16
TT3301-1	1 1/4	x	3 5/16	1.2500	1.2600	3.2870	3.3370	1/8
TT1900	1 3/8	x	1 15/16	1.3740	1.3840	1.9300	1.9500	1/8
TT2008	1 1/2	x	2	1.4930	1.5130	1.9900	2.0100	1/8
EW244002	1 1/2	x	2 1/2	1.5040	1.5080	2.4950	2.5150	1/8
EW245603	1 1/2	x	3 1/2	1.5040	1.5080	3.4820	3.5320	3/16
TT3500-1	1 1/2	x	3 1/2	1.5000	1.5200	3.4750	3.5250	3/16
TT2402	1 9/16	x	2 7/16	1.5680	1.5880	2.4275	2.4475	1/8
TT2400-1	1 3/4	x	2 7/16	1.7450	1.7650	2.4300	2.4500	1/8

*When current inventory is depleted, these sizes will be supplied on special order basis only. Minimum order quantities may apply.



Powdered Metal SAE 841 Bronze Thrust Washers

PART NUMBER	NOMINAL SIZES			I.D. Min.	I.D. Max.	O.D. Min.	O.D. Max.	LENGTH/ THICKNESS ±0.005"
	I.D.		O.D.					
EW284202	1 3/4	x	2 5/8	1.7540	1.7600	2.6210	2.6410	1/8
TT2601	1 3/4	x	2 5/8	1.7550	1.7750	2.6150	2.6350	1/8
TT2600	1 15/16	x	2 5/8	1.9430	1.9630	2.6150	2.6350	1/8
EW324802	2	x	3	2.0040	2.0100	2.9960	3.0160	1/8
EW324804	2	x	3	2.0040	2.0100	2.9960	3.0160	1/4
TT3001-3	2	x	3	2.0010	2.0210	2.9900	3.0100	1/8
TT3001	2	x	3	2.0010	2.0210	2.9900	3.0100	3/16
TT3001-1	2	x	3	2.0010	2.0210	2.9900	3.0100	1/4
TT3600	2	x	3 5/8	2.0210	2.0410	3.6000	3.6500	3/16
TT4002-1	2 1/16	x	4	2.0520	2.0720	3.9750	4.0250	1/8
TT4002	2 1/16	x	4	2.0520	2.0720	3.9750	4.0250	1/4
TT3200	2 1/2	x	3 1/4	2.4920	2.5120	3.2250	3.2750	1/8
TT3800	2 3/4	x	3 7/8	2.7560	2.7760	3.8500	3.9000	1/4

*When current inventory is depleted, these sizes will be supplied on special order basis only. Minimum order quantities may apply.



Powdered Metal SAE 841 Bronze Metric Sleeve (Plain) Bearings

PART NUMBER	NOMINAL SIZES		G7 I.D. TOLERANCE		S7 O.D. TOLERANCE		LENGTH (Tol-js13)
	I.D.	O.D.	Min.	Max.	Min.	Max.	
AAM002005002*	2	x 5	2.002	2.012	5.019	5.031	2
AAM002005003*	2	x 5	2.002	2.012	5.019	5.031	3
AAM003006003	3	x 6	3.002	3.012	6.019	6.031	3
AAM003006004*	3	x 6	3.002	3.012	6.019	6.031	4
AAM004006004	4	x 6	4.004	4.016	6.019	6.031	4
AAM004006008	4	x 6	4.004	4.016	6.019	6.031	8
AAM004007004*	4	x 7	4.004	4.016	7.023	7.038	4
AAM004007008	4	x 7	4.004	4.016	7.023	7.038	8
AAM004008004*	4	x 8	4.004	4.016	8.023	8.038	4
AAM004008006*	4	x 8	4.004	4.016	8.023	8.038	6
AAM004008008	4	x 8	4.004	4.016	8.023	8.038	8
AAM005008004*	5	x 8	5.004	5.016	8.023	8.038	4
AAM005008006	5	x 8	5.004	5.016	8.023	8.038	6
AAM005008008	5	x 8	5.004	5.016	8.023	8.038	8
AAM005008010	5	x 8	5.004	5.016	8.023	8.038	10
AAM006008004*	6	x 8	6.004	6.016	8.023	8.038	4
AAM006008006	6	x 8	6.004	6.016	8.023	8.038	6
AAM006008008	6	x 8	6.004	6.016	8.023	8.038	8
AAM006008010	6	x 8	6.004	6.016	8.023	8.038	10
AAM006009004	6	x 9	6.004	6.016	9.023	9.038	4
AAM006009006	6	x 9	6.004	6.016	9.023	9.038	6
AAM006009008	6	x 9	6.004	6.016	9.023	9.038	8
AAM006009012	6	x 9	6.004	6.016	9.023	9.038	12
AAM006010004*	6	x 10	6.004	6.016	10.023	10.038	4
AAM006010006	6	x 10	6.004	6.016	10.023	10.038	6
AAM006010008	6	x 10	6.004	6.016	10.023	10.038	8
AAM006010010	6	x 10	6.004	6.016	10.023	10.038	10
AAM006010012	6	x 10	6.004	6.016	10.023	10.038	12
AAM006012006*	6	x 12	6.004	6.016	12.028	12.046	6
AAM006012010*	6	x 12	6.004	6.016	12.028	12.046	10
AAM006012012	6	x 12	6.004	6.016	12.028	12.046	12
AAM007010006*	7	x 10	7.005	7.02	10.023	10.038	6
AAM007010008	7	x 10	7.005	7.02	10.023	10.038	8
AAM007010010	7	x 10	7.005	7.02	10.023	10.038	10
AAM008012008	8	x 12	8.005	8.02	12.028	12.046	8
AAM008012012	8	x 12	8.005	8.02	12.028	12.046	12
AAM008014008*	8	x 14	8.005	8.02	14.028	14.046	8
AAM008014012	8	x 14	8.005	8.02	14.028	14.046	12
AAM008014014	8	x 14	8.005	8.02	14.028	14.046	14
AAM009014006*	9	x 14	9.005	9.02	14.028	14.046	6
AAM009014010*	9	x 14	9.005	9.02	14.028	14.046	10
AAM009014014*	9	x 14	9.005	9.02	14.028	14.046	14
AAM010013010	10	x 13	10.005	10.02	13.028	13.046	10
AAM010013016	10	x 13	10.005	10.02	13.028	13.046	16
AAM010014008*	10	x 14	10.005	10.02	14.028	14.046	8
AAM010014010	10	x 14	10.005	10.02	14.028	14.046	10
AAM010014014	10	x 14	10.005	10.02	14.028	14.046	14
AAM010014016	10	x 14	10.005	10.02	14.028	14.046	16
AAM010016010	10	x 16	10.005	10.02	16.028	16.046	10
AAM010016016	10	x 16	10.005	10.02	16.028	16.046	16

*When current inventory is depleted, these sizes will be supplied on special order basis only. Minimum order quantities may apply.



Powdered Metal SAE 841 Bronze Metric Sleeve (Plain) Bearings

PART NUMBER	NOMINAL SIZES		G7 I.D. TOLERANCE		S7 O.D. TOLERANCE		LENGTH (Tol-js13)
	I.D.	O.D.	Min.	Max.	Min.	Max.	
AAM012015012	12	x 15	12.006	12.024	15.028	15.046	12
AAM012015016	12	x 15	12.006	12.024	15.028	15.046	16
AAM012015020	12	x 15	12.006	12.024	15.028	15.046	20
AAM012016012	12	x 16	12.006	12.024	16.028	16.046	12
AAM012016016	12	x 16	12.006	12.024	16.028	16.046	16
AAM012016020	12	x 16	12.006	12.024	16.028	16.046	20
AAM012017012*	12	x 17	12.006	12.024	17.028	17.046	12
AAM012017016*	12	x 17	12.006	12.024	17.028	17.046	16
AAM012017020	12	x 17	12.006	12.024	17.028	17.046	20
AAM012018012	12	x 18	12.006	12.024	18.028	18.046	12
AAM012018016	12	x 18	12.006	12.024	18.028	18.046	16
AAM012018020	12	x 18	12.006	12.024	18.028	18.046	20
AAM014018014*	14	x 18	14.006	14.024	18.028	18.046	14
AAM014018018*	14	x 18	14.006	14.024	18.028	18.046	18
AAM014018022	14	x 18	14.006	14.024	18.028	18.046	22
AAM014020014*	14	x 20	14.006	14.024	20.035	20.056	14
AAM014020016*	14	x 20	14.006	14.024	20.035	20.056	18
AAM014020022	14	x 20	14.006	14.024	20.035	20.056	22
AAM015019016	15	x 19	15.006	15.024	19.035	19.056	16
AAM015019020*	15	x 19	15.006	15.024	19.035	19.056	20
AAM015019025	15	x 19	15.006	15.024	19.035	19.056	25
AAM015020016*	15	x 20	15.006	15.024	20.035	20.056	16
AAM015020020	15	x 20	15.006	15.024	20.035	20.056	20
AAM015020025	15	x 20	15.006	15.024	20.035	20.056	25
AAM015021016*	15	x 21	15.006	15.024	21.035	21.056	16
AAM015021020*	15	x 21	15.006	15.024	21.035	21.056	20
AAM015021025*	15	x 21	15.006	15.024	21.035	21.056	25
AAM015022016*	15	x 22	15.006	15.024	22.035	22.056	16
AAM015022020*	15	x 22	15.006	15.024	22.035	22.056	20
AAM015022025*	15	x 22	15.006	15.024	22.035	22.056	25
AAM016020016	16	x 20	16.006	16.024	20.035	20.056	16
AAM016020020	16	x 20	16.006	16.024	20.035	20.056	20
AAM016020025	16	x 20	16.006	16.024	20.035	20.056	25
AAM016022016	16	x 22	16.006	16.024	22.035	22.056	16
AAM016022020*	16	x 22	16.006	16.024	22.035	22.056	20
AAM016022025*	16	x 22	16.006	16.024	22.035	22.056	25
AAM018022018*	18	x 22	18.006	18.024	22.035	22.056	18
AAM018022022*	18	x 22	18.006	18.024	22.035	22.056	22
AAM018022028*	18	x 22	18.006	18.024	22.035	22.056	28
AAM018024018*	18	x 24	18.006	18.024	24.035	24.056	18
AAM018024022*	18	x 24	18.006	18.024	24.035	24.056	22
AAM018024028	18	x 24	18.006	18.024	24.035	24.056	28
AAM018025018	18	x 25	18.006	18.024	25.035	25.056	18
AAM018025022*	18	x 25	18.006	18.024	25.035	25.056	22
AAM018025028*	18	x 25	18.006	18.024	25.035	25.056	28
AAM020024016*	20	x 24	20.007	20.028	24.035	24.056	16
AAM020024020	20	x 24	20.007	20.028	24.035	24.056	20
AAM020024025*	20	x 24	20.007	20.028	24.035	24.056	25
AAM020025016*	20	x 25	20.007	20.028	25.035	25.056	16
AAM020025020	20	x 25	20.007	20.028	25.035	25.056	20
AAM020025025*	20	x 25	20.007	20.028	25.035	25.056	25

*When current inventory is depleted, these sizes will be supplied on special order basis only. Minimum order quantities may apply.



Powdered Metal SAE 841 Bronze Metric Sleeve (Plain) Bearings

PART NUMBER	NOMINAL SIZES		G7 I.D. TOLERANCE		S7 O.D. TOLERANCE		LENGTH (Tol-js13)
	I.D.	O.D.	Min.	Max.	Min.	Max.	
AAM020025030	20	x 25	20.007	20.028	25.035	25.056	30
AAM020026020	20	x 26	20.007	20.028	26.035	26.056	20
AAM020026030	20	x 26	20.007	20.028	26.035	26.056	30
AAM020028016*	20	x 28	20.007	20.028	28.035	28.056	16
AAM020028020	20	x 28	20.007	20.028	28.035	28.056	20
AAM020028025	20	x 28	20.007	20.028	28.035	28.056	25
AAM022027018*	22	x 27	22.007	22.028	27.035	27.056	18
AAM022027022*	22	x 27	22.007	22.028	27.035	27.056	22
AAM022027028*	22	x 27	22.007	22.028	27.035	27.056	28
AAM022028018*	22	x 28	22.007	22.028	28.035	28.056	18
AAM022028022	22	x 28	22.007	22.028	28.035	28.056	22
AAM022028028	22	x 28	22.007	22.028	28.035	28.056	28
AAM022029018*	22	x 29	22.007	22.028	29.035	29.056	18
AAM022029022*	22	x 29	22.007	22.028	29.035	29.056	22
AAM022029028*	22	x 29	22.007	22.028	29.035	29.056	28
AAM025030020	25	x 30	25.007	25.028	30.035	30.056	20
AAM025030025	25	x 30	25.007	25.028	30.035	30.056	25
AAM025030030	25	x 30	25.007	25.028	30.035	30.056	30
AAM025032020	25	x 32	25.007	25.028	32.043	32.068	20
AAM025032025	25	x 32	25.007	25.028	32.043	32.068	25
AAM025032030	25	x 32	25.007	25.028	32.043	32.068	30
AAM028032022*	28	x 32	28.007	28.028	32.043	32.068	22
AAM028032028*	28	x 32	28.007	28.028	32.043	32.068	28
AAM028033022*	28	x 33	28.007	28.028	33.043	33.068	22
AAM028033028*	28	x 33	28.007	28.028	33.043	33.068	28
AAM030038025*	30	x 38	30.007	30.028	38.043	38.068	25
AAM030038030	30	x 38	30.007	30.028	38.043	38.068	30
AAM030040025	30	x 40	30.007	30.028	40.043	40.068	25
AAM030040030	30	x 40	30.007	30.028	40.043	40.068	30
AAM032038020*	32	x 38	32.009	32.034	38.043	38.068	20
AAM032038025*	32	x 38	32.009	32.034	38.043	38.068	25
AAM032038032	32	x 38	32.009	32.034	38.043	38.068	32
AAM032040020*	32	x 40	32.009	32.034	40.043	40.068	20
AAM032040025*	32	x 40	32.009	32.034	40.043	40.068	25
AAM032040032*	32	x 40	32.009	32.034	40.043	40.068	32
AAM035044022*	35	x 44	35.009	35.034	44.043	44.068	22
AAM035044028*	35	x 44	35.009	35.034	44.043	44.068	28
AAM035044035*	35	x 44	35.009	35.034	44.043	44.068	35
AAM035045025*	35	x 45	35.009	35.034	45.043	45.068	25
AAM035045030*	35	x 45	35.009	35.034	45.043	45.068	30
AAM035045035	35	x 45	35.009	35.034	45.043	45.068	35
AAM036042025*	36	x 42	36.009	36.034	42.043	42.068	25
AAM036042030*	36	x 42	36.009	36.034	42.043	42.068	30
AAM036042035*	36	x 42	36.009	36.034	42.043	42.068	35
AAM038044025*	38	x 44	38.009	38.034	44.043	44.068	25
AAM038044035*	38	x 44	38.009	38.034	44.043	44.068	35
AAM038044045*	38	x 44	38.009	38.034	44.043	44.068	45
AAM040046025*	40	x 46	40.009	40.034	46.043	46.068	25
AAM040046035*	40	x 46	40.009	40.034	46.043	46.068	35
AAM040046040*	40	x 46	40.009	40.034	46.043	46.068	40
AAM040046050	40	x 46	40.009	40.034	46.043	46.068	50

*When current inventory is depleted, these sizes will be supplied on special order basis only. Minimum order quantities may apply.



Powdered Metal SAE 841 Bronze Metric Sleeve (Plain) Bearings

PART NUMBER	NOMINAL SIZES		G7 I.D. TOLERANCE		S7 O.D. TOLERANCE		LENGTH (Tol-js13)
	I.D.	O.D.	Min.	Max.	Min.	Max.	
AAM040050025*	40	x 50	40.009	40.034	50.043	50.068	25
AAM040050030*	40	x 50	40.009	40.034	50.043	50.068	30
AAM040050035*	40	x 50	40.009	40.034	50.043	50.068	35
AAM040050040	40	x 50	40.009	40.034	50.043	50.068	40

*When current inventory is depleted, these sizes will be supplied on special order basis only. Minimum order quantities may apply.

PART NUMBER	NOMINAL SIZES		G8 I.D. TOLERANCE		S8 O.D. TOLERANCE		LENGTH (Tol-js13)
	I.D.	O.D.	Min.	Max.	Min.	Max.	
AAM045055035*	45	x 55	45.009	45.048	55.053	55.099	35
AAM045055040*	45	x 55	45.009	45.048	55.053	55.099	40
AAM045055045*	45	x 55	45.009	45.048	55.053	55.099	45
AAM045055050	45	x 55	45.009	45.048	55.053	55.099	50
AAM050060035*	50	x 60	50.009	50.048	60.053	60.099	35
AAM050060050*	50	x 60	50.009	50.048	60.053	60.099	50
AAM050060060	50	x 60	50.009	50.048	60.053	60.099	60
AAM050060070*	50	x 60	50.009	50.048	60.053	60.099	70
AAM060070040*	60	x 70	60.010	60.056	70.059	70.105	40
AAM060070050*	60	x 70	60.010	60.056	70.059	70.105	50
AAM060070070*	60	x 70	60.010	60.056	70.059	70.105	70
AAM070080090	70	x 80	70.010	70.056	80.059	80.105	90
AAM070080120*	70	x 80	70.010	70.056	80.059	80.105	120
AAM080100080*	80	x 100	80.012	80.066	100.071	100.125	80
AAM080100120*	80	x 100	80.012	80.066	100.071	100.125	120
AAM100120080*	100	x 120	100.012	100.066	120.079	120.133	80
AAM100120120*	100	x 120	100.012	100.066	120.079	120.133	120

*When current inventory is depleted, these sizes will be supplied on special order basis only. Minimum order quantities may apply.



Powdered Metal SAE 841 Bronze Metric Flanged Bearings

PART NUMBER	NOMINAL SIZES		G7 I.D. TOLERANCE		S7 O.D. TOLERANCE		LENGTH (Tol-js13)	FLANGE O.D. (Tol-js13)	FLANGE THK. (Tol-js13)
	I.D.	O.D.	Min.	Max.	Min.	Max.			
FFM003006004	3	x 6	3.002	3.012	6.019	6.031	4	9	1.5
FFM003006006*	3	x 6	3.002	3.012	6.019	6.031	6	9	1.5
FFM003006010*	3	x 6	3.002	3.012	6.019	6.031	10	9	1.5
FFM003006012*	3	x 6	3.002	3.012	6.019	6.031	12	9	1.5
FFM004008004	4	x 8	4.004	4.016	8.023	8.038	4	12	2.0
FFM004008006	4	x 8	4.004	4.016	8.023	8.038	6	12	2.0
FFM004008010*	4	x 8	4.004	4.016	8.023	8.038	10	12	2.0
FFM004008012	4	x 8	4.004	4.016	8.023	8.038	12	12	2.0
FFM006010006	6	x 10	6.004	6.016	10.023	10.038	6	14	2.0
FFM006010010	6	x 10	6.004	6.016	10.023	10.038	10	14	2.0
FFM008012008	8	x 12	8.005	8.020	12.028	12.046	8	16	2.0
FFM008012012	8	x 12	8.005	8.020	12.028	12.046	12	16	2.0
FFM008012016	8	x 12	8.005	8.020	12.028	12.046	16	16	2.0
FFM010013010	10	x 13	10.005	10.020	13.028	13.046	10	17	2.5
FFM010013016	10	x 13	10.005	10.020	13.028	13.046	16	17	2.5
FFM010015010	10	x 15	10.005	10.020	15.028	15.046	10	21	3.0
FFM010015016	10	x 15	10.005	10.020	15.028	15.046	16	21	3.0
FFM010015020	10	x 15	10.005	10.020	15.028	15.046	20	21	3.0
FFM010016008	10	x 16	10.005	10.020	16.028	16.046	8	22	3.0
FFM010016010	10	x 16	10.005	10.020	16.028	16.046	10	22	3.0
FFM010016016	10	x 16	10.005	10.020	16.028	16.046	16	22	3.0
FFM012015012	12	x 15	12.006	12.024	15.028	15.046	12	18	1.5
FFM012015016	12	x 15	12.006	12.024	15.028	15.046	16	18	1.5
FFM012015020	12	x 15	12.006	12.024	15.028	15.046	20	18	1.5
FFM012017012	12	x 17	12.006	12.024	17.028	17.046	12	23	3.0
FFM012017016	12	x 17	12.006	12.024	17.028	17.046	16	23	3.0
FFM012017020	12	x 17	12.006	12.024	17.028	17.046	20	23	3.0
FFM012018008	12	x 18	12.006	12.024	18.028	18.046	8	24	3.0
FFM012018012	12	x 18	12.006	12.024	18.028	18.046	12	24	3.0
FFM012018020	12	x 18	12.006	12.024	18.028	18.046	20	24	3.0
FFM014020014*	14	x 20	14.006	14.024	20.035	20.056	14	26	3.0
FFM015019020	15	x 19	15.006	15.024	19.035	19.056	20	25	3.0
FFM015019025	15	x 19	15.006	15.024	19.035	19.056	25	25	3.0
FFM015021020	15	x 21	15.006	15.024	21.035	21.056	20	27	3.0
FFM015021025	15	x 21	15.006	15.024	21.035	21.056	25	27	3.0
FFM016020016	16	x 20	16.006	16.024	20.035	20.056	16	27	3.0
FFM016020020	16	x 20	16.006	16.024	20.035	20.056	20	27	3.0
FFM016020025	16	x 20	16.006	16.024	20.035	20.056	25	27	3.0
FFM016022012	16	x 22	16.006	16.024	22.035	22.056	12	28	3.0
FFM016022016	16	x 22	16.006	16.024	22.035	22.056	16	28	3.0
FFM016022020	16	x 22	16.006	16.024	22.035	22.056	20	28	3.0
FFM016022025	16	x 22	16.006	16.024	22.035	22.056	25	28	3.0
FFM018024012	18	x 24	18.006	18.024	24.035	24.056	12	30	3.0
FFM018024018	18	x 24	18.006	18.024	24.035	24.056	18	30	3.0
FFM018024022	18	x 24	18.006	18.024	24.035	24.056	22	30	3.0
FFM020024016	20	x 24	20.007	20.028	24.035	24.056	16	30	3.0
FFM020024020	20	x 24	20.007	20.028	24.035	24.056	20	30	3.0
FFM020024025	20	x 24	20.007	20.028	24.035	24.056	25	30	3.0

*When current inventory is depleted, these sizes will be supplied on special order basis only. Minimum order quantities may apply.



Powdered Metal SAE 841 Bronze Metric Flanged Bearings

PART NUMBER	NOMINAL SIZES		G7 I.D. TOLERANCE		S7 O.D. TOLERANCE		LENGTH (Tol-js13)	FLANGE O.D. (Tol-js13)	FLANGE THK. (Tol-js13)
	I.D.	O.D.	Min.	Max.	Min.	Max.			
FFM020026020	20	x 26	20.007	20.028	26.035	26.056	20	32	3.0
FFM020026025	20	x 26	20.007	20.028	26.035	26.056	25	32	3.0
FFM022028020	22	x 28	22.007	22.028	28.035	28.056	20	34	3.0
FFM025030020	25	x 30	25.007	25.028	30.035	30.056	20	39	3.5
FFM025030025	25	x 30	25.007	25.028	30.035	30.056	25	39	3.5
FFM025030030	25	x 30	25.007	25.028	30.035	30.056	30	39	3.5
FFM025032020	25	x 32	25.007	25.028	32.043	32.068	20	39	3.5
FFM025032025	25	x 32	25.007	25.028	32.043	32.068	25	39	3.5
FFM025032030	25	x 32	25.007	25.028	32.043	32.068	30	39	3.5
FFM028036020	28	x 36	28.007	28.028	36.043	36.068	20	44	4.0
FFM028036025	28	x 36	28.007	28.028	36.043	36.068	25	44	4.0
FFM030038020	30	x 38	30.007	30.028	38.043	38.068	20	46	4.0
FFM030038025	30	x 38	30.007	30.028	38.043	38.068	25	46	4.0
FFM030038030	30	x 38	30.007	30.028	38.043	38.068	30	46	4.0
FFM032038020	32	x 38	32.009	32.034	38.043	38.068	20	46	4.0
FFM032038025	32	x 38	32.009	32.034	38.043	38.068	25	46	4.0
FFM032038032	32	x 38	32.009	32.034	38.043	38.068	32	46	4.0
FFM040046025	40	x 46	40.009	40.034	46.043	46.068	25	56	5.0
FFM040046040	40	x 46	40.009	40.034	46.043	46.068	40	56	5.0
FFM040050025	40	x 50	40.009	40.034	50.043	50.068	25	60	5.0
FFM040050030	40	x 50	40.009	40.034	50.043	50.068	30	60	5.0
FFM040050040	40	x 50	40.009	40.034	50.043	50.068	40	60	5.0

*When current inventory is depleted, these sizes will be supplied on special order basis only. Minimum order quantities may apply.

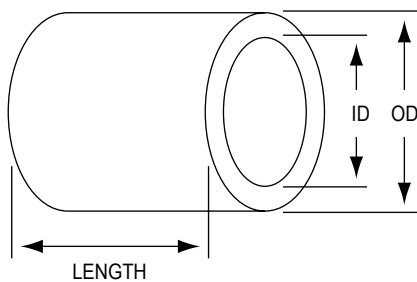
PART NUMBER	NOMINAL SIZES		G7 I.D. TOLERANCE		S7 O.D. TOLERANCE		LENGTH (Tol-js13)	FLANGE O.D. (Tol-js13)	FLANGE THK. (Tol-js13)
	I.D.	O.D.	Min.	Max.	Min.	Max.			
FFM050060032	50	x 60	50.009	50.048	60.053	60.099	32	70	5.0
FFM050060040	50	x 60	50.009	50.048	60.053	60.099	40	70	5.0
FFM050060050	50	x 60	50.009	50.048	60.053	60.099	50	70	5.0

841 Extra

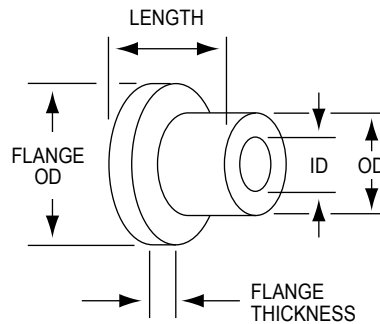
For stop, start and slow speed applications 841 Extra is the recommended choice. These bearings contain SAE 90 oil with a finely dispersed PTFE. The PTFE in the oil greatly reduces friction and helps to develop a full lubrication film which is especially required on start up. A smoother and quieter operation, an easier “break-in” period and longer life can be achieved.

Temperature range: +10°F/+220°F

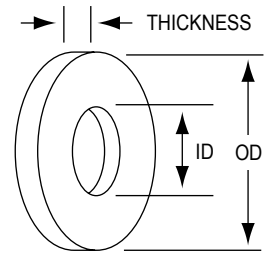
**PLAIN
BEARINGS**



**FLANGED
BEARINGS**



**THRUST
WASHERS**





Powdered Metal SAE 841 Extra Sleeve (Plain) Bearings

PART NUMBER	NOMINAL SIZES			I.D. Min.	I.D. Max.	O.D. Min.	O.D. Max.	LENGTH
	I.D.		O.D.					
EXEP020304	1/8	x	3/16	0.1260	0.1270	0.1895	0.1905	1/4
EXEP020308	1/8	x	3/16	0.1260	0.1270	0.1895	0.1905	1/2
EXEP020402	1/8	x	1/4	0.1260	0.1270	0.2520	0.2530	1/8
EXEP020404	1/8	x	1/4	0.1260	0.1270	0.2520	0.2530	1/4
EXEP020406	1/8	x	1/4	0.1260	0.1270	0.2520	0.2530	3/8
EXEP020408	1/8	x	1/4	0.1260	0.1270	0.2520	0.2530	1/2
EXEP030404	3/16	x	1/4	0.1885	0.1895	0.2520	0.2530	1/4
EXEP030406	3/16	x	1/4	0.1885	0.1895	0.2520	0.2530	3/8
EXEP030408	3/16	x	1/4	0.1885	0.1895	0.2520	0.2530	1/2
EXEP030410	3/16	x	1/4	0.1885	0.1895	0.2520	0.2530	5/8
EXEP030412	3/16	x	1/4	0.1885	0.1895	0.2520	0.2530	3/4
EXEP030503	3/16	x	5/16	0.1885	0.1895	0.3145	0.3155	3/16
EXEP030504	3/16	x	5/16	0.1885	0.1895	0.3145	0.3155	1/4
EXEP030505	3/16	x	5/16	0.1885	0.1895	0.3145	0.3155	5/16
EXEP030506	3/16	x	5/16	0.1885	0.1895	0.3145	0.3155	3/8
EXEP030508	3/16	x	5/16	0.1885	0.1895	0.3145	0.3155	1/2
EXEP030510	3/16	x	5/16	0.1885	0.1895	0.3145	0.3155	5/8
EXEP030512	3/16	x	5/16	0.1885	0.1895	0.3145	0.3155	3/4
EXEP030516	3/16	x	5/16	0.1885	0.1895	0.3145	0.3155	1
EXEP030604	3/16	x	3/8	0.1885	0.1895	0.3770	0.3780	1/4
EXEP030606	3/16	x	3/8	0.1885	0.1895	0.3770	0.3780	3/8
EXEP030608	3/16	x	3/8	0.1885	0.1895	0.3770	0.3780	1/2
EXEP030610	3/16	x	3/8	0.1885	0.1895	0.3770	0.3780	5/8
EXEP030612	3/16	x	3/8	0.1885	0.1895	0.3770	0.3780	3/4
EXEP040504	1/4	x	5/16	0.2510	0.2520	0.3145	0.3155	1/4
EXEP040506	1/4	x	5/16	0.2510	0.2520	0.3145	0.3155	3/8
EXEP040508	1/4	x	5/16	0.2510	0.2520	0.3145	0.3155	1/2
EXEP040510	1/4	x	5/16	0.2510	0.2520	0.3145	0.3155	5/8
EXEP040512	1/4	x	5/16	0.2510	0.2520	0.3145	0.3155	3/4
EXEP040604	1/4	x	3/8	0.2510	0.2520	0.3770	0.3780	1/4
EXEP040605	1/4	x	3/8	0.2510	0.2520	0.3770	0.3780	5/16
EXEP040606	1/4	x	3/8	0.2510	0.2520	0.3770	0.3780	3/8
EXEP040607	1/4	x	3/8	0.2510	0.2520	0.3770	0.3780	7/16
EXEP040608	1/4	x	3/8	0.2510	0.2520	0.3770	0.3780	1/2
EXEP040610	1/4	x	3/8	0.2510	0.2520	0.3770	0.3780	5/8
EXEP040612	1/4	x	3/8	0.2510	0.2520	0.3770	0.3780	3/4
EXEP040614	1/4	x	3/8	0.2510	0.2520	0.3770	0.3780	7/8
EXEP040616	1/4	x	3/8	0.2510	0.2520	0.3770	0.3780	1
EXEP040618	1/4	x	3/8	0.2510	0.2520	0.3770	0.3780	1 1/8
EXEP040620	1/4	x	3/8	0.2510	0.2520	0.3770	0.3780	1 1/4
EXEP040706	1/4	x	7/16	0.2510	0.2520	0.4395	0.4405	3/8
EXEP040708	1/4	x	7/16	0.2510	0.2520	0.4395	0.4405	1/2
EXEP040710	1/4	x	7/16	0.2510	0.2520	0.4395	0.4405	5/8
EXEP040712	1/4	x	7/16	0.2510	0.2520	0.4395	0.4405	3/4
EXEP040714	1/4	x	7/16	0.2510	0.2520	0.4395	0.4405	7/8

Length Size Tolerance

-- to 1.495"±0.005"
 1.496" to 2.990"±0.0075"
 2.991" to 4.895"±0.010"



Powdered Metal SAE 841 Extra Sleeve (Plain) Bearings

PART NUMBER	NOMINAL SIZES			I.D. Min.	I.D. Max.	O.D. Min.	O.D. Max.	LENGTH
	I.D.		O.D.					
EXEP040716	1/4	x	7/16	0.2510	0.2520	0.4395	0.4405	1
EXEP040805	1/4	x	1/2	0.2510	0.2520	0.5020	0.5030	5/16
EXEP040808	1/4	x	1/2	0.2510	0.2520	0.5020	0.5030	1/2
EXEP040812	1/4	x	1/2	0.2510	0.2520	0.5020	0.5030	3/4
EXEP040816	1/4	x	1/2	0.2510	0.2520	0.5020	0.5030	1
EXEP040820	1/4	x	1/2	0.2510	0.2520	0.5020	0.5030	1 1/4
EXEP050604	5/16	x	3/8	0.3135	0.3145	0.3770	0.3780	1/4
EXEP050606	5/16	x	3/8	0.3135	0.3145	0.3770	0.3780	3/8
EXEP050608	5/16	x	3/8	0.3135	0.3145	0.3770	0.3780	1/2
EXEP050610	5/16	x	3/8	0.3135	0.3145	0.3770	0.3780	5/8
EXEP050612	5/16	x	3/8	0.3135	0.3145	0.3770	0.3780	3/4
EXEP050614	5/16	x	3/8	0.3135	0.3145	0.3770	0.3780	7/8
EXEP050616	5/16	x	3/8	0.3135	0.3145	0.3770	0.3780	1
EXEP050704	5/16	x	7/16	0.3135	0.3145	0.4395	0.4405	1/4
EXEP050705	5/16	x	7/16	0.3135	0.3145	0.4395	0.4405	5/16
EXEP050706	5/16	x	7/16	0.3135	0.3145	0.4395	0.4405	3/8
EXEP050708	5/16	x	7/16	0.3135	0.3145	0.4395	0.4405	1/2
EXEP050710	5/16	x	7/16	0.3135	0.3145	0.4395	0.4405	5/8
EXEP050712	5/16	x	7/16	0.3135	0.3145	0.4395	0.4405	3/4
EXEP050714	5/16	x	7/16	0.3135	0.3145	0.4395	0.4405	7/8
EXEP050716	5/16	x	7/16	0.3135	0.3145	0.4395	0.4405	1
EXEP050718	5/16	x	7/16	0.3135	0.3145	0.4395	0.4405	1 1/8
EXEP050720	5/16	x	7/16	0.3135	0.3145	0.4395	0.4405	1 1/4
EXEP050806	5/16	x	1/2	0.3135	0.3145	0.5020	0.5030	3/8
EXEP050808	5/16	x	1/2	0.3135	0.3145	0.5020	0.5030	1/2
EXEP050810	5/16	x	1/2	0.3135	0.3145	0.5020	0.5030	5/8
EXEP050812	5/16	x	1/2	0.3135	0.3145	0.5020	0.5030	3/4
EXEP050814	5/16	x	1/2	0.3135	0.3145	0.5020	0.5030	7/8
EXEP050816	5/16	x	1/2	0.3135	0.3145	0.5020	0.5030	1
EXEP050820	5/16	x	1/2	0.3135	0.3145	0.5020	0.5030	1 1/4
EXEP050824	5/16	x	1/2	0.3135	0.3145	0.5020	0.5030	1 1/2
EXEP060708	3/8	x	7/16	0.3760	0.3770	0.4395	0.4405	1/2
EXEP060710	3/8	x	7/16	0.3760	0.3770	0.4395	0.4405	5/8
EXEP060712	3/8	x	7/16	0.3760	0.3770	0.4395	0.4405	3/4
EXEP060716	3/8	x	7/16	0.3760	0.3770	0.4395	0.4405	1
EXEP060803	3/8	x	1/2	0.3760	0.3770	0.5020	0.5030	3/16
EXEP060804	3/8	x	1/2	0.3760	0.3770	0.5020	0.5030	1/4
EXEP060805	3/8	x	1/2	0.3760	0.3770	0.5020	0.5030	5/16
EXEP060806	3/8	x	1/2	0.3760	0.3770	0.5020	0.5030	3/8
EXEP060807	3/8	x	1/2	0.3760	0.3770	0.5020	0.5030	7/16
EXEP060808	3/8	x	1/2	0.3760	0.3770	0.5020	0.5030	1/2
EXEP060810	3/8	x	1/2	0.3760	0.3770	0.5020	0.5030	5/8
EXEP060812	3/8	x	1/2	0.3760	0.3770	0.5020	0.5030	3/4
EXEP060814	3/8	x	1/2	0.3760	0.3770	0.5020	0.5030	7/8
EXEP060816	3/8	x	1/2	0.3760	0.3770	0.5020	0.5030	1

Length Size	Tolerance
-- to 1.495"	±0.005"
1.496" to 2.990"	±0.0075"
2.991" to 4.895"	±0.010"

If you require any further assistance, please call: 419-866-7000
 or email: buntinginfo@buntingbearings.com



Powdered Metal SAE 841 Extra Sleeve (Plain) Bearings

PART NUMBER	NOMINAL SIZES			I.D. Min.	I.D. Max.	O.D. Min.	O.D. Max.	LENGTH
	I.D.		O.D.					
EXEP060818	3/8	x	1/2	0.3760	0.3770	0.5020	0.5030	1 1/8
EXEP060820	3/8	x	1/2	0.3760	0.3770	0.5020	0.5030	1 1/4
EXEP060906	3/8	x	9/16	0.3760	0.3770	0.5645	0.5655	3/8
EXEP060908	3/8	x	9/16	0.3760	0.3770	0.5645	0.5655	1/2
EXEP060910	3/8	x	9/16	0.3760	0.3770	0.5645	0.5655	5/8
EXEP060912	3/8	x	9/16	0.3760	0.3770	0.5645	0.5655	3/4
EXEP060914	3/8	x	9/16	0.3760	0.3770	0.5645	0.5655	7/8
EXEP060916	3/8	x	9/16	0.3760	0.3770	0.5645	0.5655	1
EXEP060920	3/8	x	9/16	0.3760	0.3770	0.5645	0.5655	1 1/4
EXEP061006	3/8	x	5/8	0.3760	0.3770	0.6270	0.6280	3/8
EXEP061008	3/8	x	5/8	0.3760	0.3770	0.6270	0.6280	1/2
EXEP061010	3/8	x	5/8	0.3760	0.3770	0.6270	0.6280	5/8
EXEP061012	3/8	x	5/8	0.3760	0.3770	0.6270	0.6280	3/4
EXEP061014	3/8	x	5/8	0.3760	0.3770	0.6270	0.6280	7/8
EXEP061016	3/8	x	5/8	0.3760	0.3770	0.6270	0.6280	1
EXEP061020	3/8	x	5/8	0.3760	0.3770	0.6270	0.6280	1 1/4
EXEP061206	3/8	x	3/4	0.3760	0.3770	0.7520	0.7530	3/8
EXEP061208	3/8	x	3/4	0.3760	0.3770	0.7520	0.7530	1/2
EXEP061212	3/8	x	3/4	0.3760	0.3770	0.7520	0.7530	3/4
EXEP061216	3/8	x	3/4	0.3760	0.3770	0.7520	0.7530	1
EXEP061220	3/8	x	3/4	0.3760	0.3770	0.7520	0.7530	1 1/4
EXEP070906	7/16	x	9/16	0.4385	0.4395	0.5645	0.5655	3/8
EXEP070908	7/16	x	9/16	0.4385	0.4395	0.5645	0.5655	1/2
EXEP070910	7/16	x	9/16	0.4385	0.4395	0.5645	0.5655	5/8
EXEP070912	7/16	x	9/16	0.4385	0.4395	0.5645	0.5655	3/4
EXEP070916	7/16	x	9/16	0.4385	0.4395	0.5645	0.5655	1
EXEP070920	7/16	x	9/16	0.4385	0.4395	0.5645	0.5655	1 1/4
EXEP071006	7/16	x	5/8	0.4385	0.4395	0.6270	0.6280	3/8
EXEP071008	7/16	x	5/8	0.4385	0.4395	0.6270	0.6280	1/2
EXEP071010	7/16	x	5/8	0.4385	0.4395	0.6270	0.6280	5/8
EXEP071012	7/16	x	5/8	0.4385	0.4395	0.6270	0.6280	3/4
EXEP071014	7/16	x	5/8	0.4385	0.4395	0.6270	0.6280	7/8
EXEP071016	7/16	x	5/8	0.4385	0.4395	0.6270	0.6280	1
EXEP071020	7/16	x	5/8	0.4385	0.4395	0.6270	0.6280	1 1/4
EXEP071024	7/16	x	5/8	0.4385	0.4395	0.6270	0.6280	1 1/2
EXEP071108	7/16	x	11/16	0.4385	0.4395	0.6895	0.6905	1/2
EXEP071116	7/16	x	11/16	0.4385	0.4395	0.6895	0.6905	1
EXEP071124	7/16	x	11/16	0.4385	0.4395	0.6895	0.6905	1 1/2
EXEP081005	1/2	x	5/8	0.5010	0.5020	0.6270	0.6280	5/16
EXEP081006	1/2	x	5/8	0.5010	0.5020	0.6270	0.6280	3/8
EXEP081007	1/2	x	5/8	0.5010	0.5020	0.6270	0.6280	7/16
EXEP081008	1/2	x	5/8	0.5010	0.5020	0.6270	0.6280	1/2
EXEP081009	1/2	x	5/8	0.5010	0.5020	0.6270	0.6280	9/16
EXEP081010	1/2	x	5/8	0.5010	0.5020	0.6270	0.6280	5/8
EXEP081011	1/2	x	5/8	0.5010	0.5020	0.6270	0.6280	11/16

Length Size	Tolerance
-- to 1.495"	±0.005"
1.496" to 2.990"	±0.0075"
2.991" to 4.895"	±0.010"



Powdered Metal SAE 841 Extra Sleeve (Plain) Bearings

PART NUMBER	NOMINAL SIZES			I.D. Min.	I.D. Max.	O.D. Min.	O.D. Max.	LENGTH
	I.D.		O.D.					
EXEP081012	1/2	x	5/8	0.5010	0.5020	0.6270	0.6280	3/4
EXEP081014	1/2	x	5/8	0.5010	0.5020	0.6270	0.6280	7/8
EXEP081016	1/2	x	5/8	0.5010	0.5020	0.6270	0.6280	1
EXEP081018	1/2	x	5/8	0.5010	0.5020	0.6270	0.6280	1 1/8
EXEP081020	1/2	x	5/8	0.5010	0.5020	0.6270	0.6280	1 1/4
EXEP081024	1/2	x	5/8	0.5010	0.5020	0.6270	0.6280	1 1/2
EXEP081106	1/2	x	11/16	0.5010	0.5020	0.6895	0.6905	3/8
EXEP081108	1/2	x	11/16	0.5010	0.5020	0.6895	0.6905	1/2
EXEP081110	1/2	x	11/16	0.5010	0.5020	0.6895	0.6905	5/8
EXEP081112	1/2	x	11/16	0.5010	0.5020	0.6895	0.6905	3/4
EXEP081114	1/2	x	11/16	0.5010	0.5020	0.6895	0.6905	7/8
EXEP081116	1/2	x	11/16	0.5010	0.5020	0.6895	0.6905	1
EXEP081118	1/2	x	11/16	0.5010	0.5020	0.6895	0.6905	1 1/8
EXEP081120	1/2	x	11/16	0.5010	0.5020	0.6895	0.6905	1 1/4
EXEP081124	1/2	x	11/16	0.5010	0.5020	0.6895	0.6905	1 1/2
EXEP081206	1/2	x	3/4	0.5010	0.5020	0.7520	0.7530	3/8
EXEP081208	1/2	x	3/4	0.5010	0.5020	0.7520	0.7530	1/2
EXEP081210	1/2	x	3/4	0.5010	0.5020	0.7520	0.7530	5/8
EXEP081212	1/2	x	3/4	0.5010	0.5020	0.7520	0.7530	3/4
EXEP081214	1/2	x	3/4	0.5010	0.5020	0.7520	0.7530	7/8
EXEP081216	1/2	x	3/4	0.5010	0.5020	0.7520	0.7530	1
EXEP081218	1/2	x	3/4	0.5010	0.5020	0.7520	0.7530	1 1/8
EXEP081220	1/2	x	3/4	0.5010	0.5020	0.7520	0.7530	1 1/4
EXEP081224	1/2	x	3/4	0.5010	0.5020	0.7520	0.7530	1 1/2
EXEP081228	1/2	x	3/4	0.5010	0.5020	0.7520	0.7530	1 3/4
EXEP081232	1/2	x	3/4	0.5010	0.5020	0.7520	0.7530	2
EXEP081308	1/2	x	13/16	0.5010	0.5020	0.8155	0.8165	1/2
EXEP081312	1/2	x	13/16	0.5010	0.5020	0.8155	0.8165	3/4
EXEP081316	1/2	x	13/16	0.5010	0.5020	0.8155	0.8165	1
EXEP081324	1/2	x	13/16	0.5010	0.5020	0.8155	0.8165	1 1/2
EXEP081408	1/2	x	7/8	0.5010	0.5020	0.8780	0.8790	1/2
EXEP081410	1/2	x	7/8	0.5010	0.5020	0.8780	0.8790	5/8
EXEP081412	1/2	x	7/8	0.5010	0.5020	0.8780	0.8790	3/4
EXEP081414	1/2	x	7/8	0.5010	0.5020	0.8780	0.8790	7/8
EXEP081416	1/2	x	7/8	0.5010	0.5020	0.8780	0.8790	1
EXEP081420	1/2	x	7/8	0.5010	0.5020	0.8780	0.8790	1 1/4
EXEP081424	1/2	x	7/8	0.5010	0.5020	0.8780	0.8790	1 1/2
EXEP081612	1/2	x	1	0.5010	0.5020	1.0030	1.0040	3/4
EXEP081616	1/2	x	1	0.5010	0.5020	1.0030	1.0040	1
EXEP081624	1/2	x	1	0.5010	0.5020	1.0030	1.0040	1 1/2
EXEP081632	1/2	x	1	0.5010	0.5020	1.0030	1.0040	2
EXEP091108	9/16	x	11/16	0.5635	0.5645	0.6895	0.6905	1/2
EXEP091110*	9/16	x	11/16	0.5635	0.5645	0.6895	0.6905	5/8
EXEP091112	9/16	x	11/16	0.5635	0.5645	0.6895	0.6905	3/4
EXEP091116	9/16	x	11/16	0.5635	0.5645	0.6895	0.6905	1

*When current inventory is depleted, these sizes will be supplied on special order basis only. Minimum order quantities may apply.

Length Size	Tolerance
-- to 1.495"	±0.005"
1.496" to 2.990"	±0.0075"
2.991" to 4.895"	±0.010"

If you require any further assistance, please call: 419-866-7000
or email: buntinginfo@buntingbearings.com



Powdered Metal SAE 841 Extra Sleeve (Plain) Bearings

PART NUMBER	NOMINAL SIZES			I.D. Min.	I.D. Max.	O.D. Min.	O.D. Max.	LENGTH
	I.D.		O.D.					
EXEP091120	9/16	x	11/16	0.5635	0.5645	0.6895	0.6905	1 1/4
EXEP091124	9/16	x	11/16	0.5635	0.5645	0.6895	0.6905	1 1/2
EXEP091208	9/16	x	3/4	0.5635	0.5645	0.7520	0.7530	1/2
EXEP091212	9/16	x	3/4	0.5635	0.5645	0.7520	0.7530	3/4
EXEP091216	9/16	x	3/4	0.5635	0.5645	0.7520	0.7530	1
EXEP091220	9/16	x	3/4	0.5635	0.5645	0.7520	0.7530	1 1/4
EXEP091224	9/16	x	3/4	0.5635	0.5645	0.7520	0.7530	1 1/2
EXEP091308	9/16	x	13/16	0.5635	0.5645	0.8155	0.8165	1/2
EXEP091312	9/16	x	13/16	0.5635	0.5645	0.8155	0.8165	3/4
EXEP091316	9/16	x	13/16	0.5635	0.5645	0.8155	0.8165	1
EXEP091320	9/16	x	13/16	0.5635	0.5645	0.8155	0.8165	1 1/4
EXEP091324	9/16	x	13/16	0.5635	0.5645	0.8155	0.8165	1 1/2
EXEP101206	5/8	x	3/4	0.6260	0.6270	0.7520	0.7530	3/8
EXEP101208	5/8	x	3/4	0.6260	0.6270	0.7520	0.7530	1/2
EXEP101210	5/8	x	3/4	0.6260	0.6270	0.7520	0.7530	5/8
EXEP101212	5/8	x	3/4	0.6260	0.6270	0.7520	0.7530	3/4
EXEP101214	5/8	x	3/4	0.6260	0.6270	0.7520	0.7530	7/8
EXEP101216	5/8	x	3/4	0.6260	0.6270	0.7520	0.7530	1
EXEP101218	5/8	x	3/4	0.6260	0.6270	0.7520	0.7530	1 1/8
EXEP101220	5/8	x	3/4	0.6260	0.6270	0.7520	0.7530	1 1/4
EXEP101224	5/8	x	3/4	0.6260	0.6270	0.7520	0.7530	1 1/2
EXEP101308	5/8	x	13/16	0.6260	0.6270	0.8155	0.8165	1/2
EXEP101310	5/8	x	13/16	0.6260	0.6270	0.8155	0.8165	5/8
EXEP101312	5/8	x	13/16	0.6260	0.6270	0.8155	0.8165	3/4
EXEP101314	5/8	x	13/16	0.6260	0.6270	0.8155	0.8165	7/8
EXEP101316	5/8	x	13/16	0.6260	0.6270	0.8155	0.8165	1
EXEP101320	5/8	x	13/16	0.6260	0.6270	0.8155	0.8165	1 1/4
EXEP101324	5/8	x	13/16	0.6260	0.6270	0.8155	0.8165	1 1/2
EXEP101328	5/8	x	13/16	0.6260	0.6270	0.8155	0.8165	1 3/4
EXEP101408	5/8	x	7/8	0.6260	0.6270	0.8780	0.8790	1/2
EXEP101410	5/8	x	7/8	0.6260	0.6270	0.8780	0.8790	5/8
EXEP101412	5/8	x	7/8	0.6260	0.6270	0.8780	0.8790	3/4
EXEP101414	5/8	x	7/8	0.6260	0.6270	0.8780	0.8790	7/8
EXEP101416	5/8	x	7/8	0.6260	0.6270	0.8780	0.8790	1
EXEP101418	5/8	x	7/8	0.6260	0.6270	0.8780	0.8790	1 1/8
EXEP101420	5/8	x	7/8	0.6260	0.6270	0.8780	0.8790	1 1/4
EXEP101424	5/8	x	7/8	0.6260	0.6270	0.8780	0.8790	1 1/2
EXEP101428	5/8	x	7/8	0.6260	0.6270	0.8780	0.8790	1 3/4
EXEP101432	5/8	x	7/8	0.6260	0.6270	0.8780	0.8790	2
EXEP101510*	5/8	x	15/16	0.6260	0.6270	0.9405	0.9415	5/8
EXEP101512	5/8	x	15/16	0.6260	0.6270	0.9405	0.9415	3/4
EXEP101516	5/8	x	15/16	0.6260	0.6270	0.9405	0.9415	1
EXEP101608	5/8	x	1	0.6260	0.6270	1.0030	1.0040	1/2
EXEP101610	5/8	x	1	0.6260	0.6270	1.0030	1.0040	5/8
EXEP101612	5/8	x	1	0.6260	0.6270	1.0030	1.0040	3/4

*When current inventory is depleted, these sizes will be supplied on special order basis only. Minimum order quantities may apply.

Length Size	Tolerance
-- to 1.495"	±0.005"
1.496" to 2.990"	±0.0075"
2.991" to 4.895"	±0.010"



Powdered Metal SAE 841 Extra Sleeve (Plain) Bearings

PART NUMBER	NOMINAL SIZES			I.D. Min.	I.D. Max.	O.D. Min.	O.D. Max.	LENGTH
	I.D.		O.D.					
EXEP101616	5/8	x	1	0.6260	0.6270	1.0030	1.0040	1
EXEP101620	5/8	x	1	0.6260	0.6270	1.0030	1.0040	1 1/4
EXEP101624	5/8	x	1	0.6260	0.6270	1.0030	1.0040	1 1/2
EXEP101628	5/8	x	1	0.6260	0.6270	1.0030	1.0040	1 3/4
EXEP101632	5/8	x	1	0.6260	0.6270	1.0030	1.0040	2
EXEP111412	11/16	x	7/8	0.6885	0.6895	0.8780	0.8790	3/4
EXEP111416	11/16	x	7/8	0.6885	0.6895	0.8780	0.8790	1
EXEP111420	11/16	x	7/8	0.6885	0.6895	0.8780	0.8790	1 1/4
EXEP111424	11/16	x	7/8	0.6885	0.6895	0.8780	0.8790	1 1/2
EXEP111428*	11/16	x	7/8	0.6885	0.6895	0.8780	0.8790	1 3/4
EXEP111432	11/16	x	7/8	0.6885	0.6895	0.8780	0.8790	2
EXEP121408	3/4	x	7/8	0.7510	0.7520	0.8780	0.8790	1/2
EXEP121409*	3/4	x	7/8	0.7510	0.7520	0.8780	0.8790	9/16
EXEP121410	3/4	x	7/8	0.7510	0.7520	0.8780	0.8790	5/8
EXEP121411	3/4	x	7/8	0.7510	0.7520	0.8780	0.8790	11/16
EXEP121412	3/4	x	7/8	0.7510	0.7520	0.8780	0.8790	3/4
EXEP121414	3/4	x	7/8	0.7510	0.7520	0.8780	0.8790	7/8
EXEP121416	3/4	x	7/8	0.7510	0.7520	0.8780	0.8790	1
EXEP121418	3/4	x	7/8	0.7510	0.7520	0.8780	0.8790	1 1/8
EXEP121420	3/4	x	7/8	0.7510	0.7520	0.8780	0.8790	1 1/4
EXEP121424	3/4	x	7/8	0.7510	0.7520	0.8780	0.8790	1 1/2
EXEP121426	3/4	x	7/8	0.7510	0.7520	0.8780	0.8790	1 5/8
EXEP121508	3/4	x	15/16	0.7510	0.7520	0.9405	0.9415	1/2
EXEP121510	3/4	x	15/16	0.7510	0.7520	0.9405	0.9415	5/8
EXEP121512	3/4	x	15/16	0.7510	0.7520	0.9405	0.9415	3/4
EXEP121514	3/4	x	15/16	0.7510	0.7520	0.9405	0.9415	7/8
EXEP121516	3/4	x	15/16	0.7510	0.7520	0.9405	0.9415	1
EXEP121518	3/4	x	15/16	0.7510	0.7520	0.9405	0.9415	1 1/8
EXEP121520	3/4	x	15/16	0.7510	0.7520	0.9405	0.9415	1 1/4
EXEP121524	3/4	x	15/16	0.7510	0.7520	0.9405	0.9415	1 1/2
EXEP121528	3/4	x	15/16	0.7510	0.7520	0.9405	0.9415	1 3/4
EXEP121532	3/4	x	15/16	0.7510	0.7520	0.9405	0.9415	2
EXEP121608	3/4	x	1	0.7510	0.7520	1.0030	1.0040	1/2
EXEP121610	3/4	x	1	0.7510	0.7520	1.0030	1.0040	5/8
EXEP121612	3/4	x	1	0.7510	0.7520	1.0030	1.0040	3/4
EXEP121614	3/4	x	1	0.7510	0.7520	1.0030	1.0040	7/8
EXEP121616	3/4	x	1	0.7510	0.7520	1.0030	1.0040	1
EXEP121618	3/4	x	1	0.7510	0.7520	1.0030	1.0040	1 1/8
EXEP121620	3/4	x	1	0.7510	0.7520	1.0030	1.0040	1 1/4
EXEP121624	3/4	x	1	0.7510	0.7520	1.0030	1.0040	1 1/2
EXEP121628	3/4	x	1	0.7510	0.7520	1.0030	1.0040	1 3/4
EXEP121632	3/4	x	1	0.7510	0.7520	1.0030	1.0040	2
EXEP121640	3/4	x	1	0.7510	0.7520	1.0030	1.0040	2 1/2
EXEP121808	3/4	x	1 1/8	0.7510	0.7520	1.1280	1.1290	1/2

*When current inventory is depleted, these sizes will be supplied on special order basis only. Minimum order quantities may apply.

Length Size	Tolerance
-- to 1.495"	±0.005"
1.496" to 2.990"	±0.0075"
2.991" to 4.895"	±0.010"

If you require any further assistance, please call: 419-866-7000
or email: buntinginfo@buntingbearings.com



Powdered Metal SAE 841 Extra Sleeve (Plain) Bearings

PART NUMBER	NOMINAL SIZES			I.D. Min.	I.D. Max.	O.D. Min.	O.D. Max.	LENGTH
	I.D.		O.D.					
EXEP121812	3/4	x	1 1/8	0.7510	0.7520	1.1280	1.1290	3/4
EXEP121816	3/4	x	1 1/8	0.7510	0.7520	1.1280	1.1290	1
EXEP121820	3/4	x	1 1/8	0.7510	0.7520	1.1280	1.1290	1 1/4
EXEP121824	3/4	x	1 1/8	0.7510	0.7520	1.1280	1.1290	1 1/2
EXEP121828	3/4	x	1 1/8	0.7510	0.7520	1.1280	1.1290	1 3/4
EXEP121832	3/4	x	1 1/8	0.7510	0.7520	1.1280	1.1290	2
EXEP122012	3/4	x	1 1/4	0.7510	0.7520	1.2530	1.2540	3/4
EXEP122016	3/4	x	1 1/4	0.7510	0.7520	1.2530	1.2540	1
EXEP122020	3/4	x	1 1/4	0.7510	0.7520	1.2530	1.2540	1 1/4
EXEP122024	3/4	x	1 1/4	0.7510	0.7520	1.2530	1.2540	1 1/2
EXEP141606	7/8	x	1	0.8760	0.8770	1.0030	1.0040	3/8
EXEP141608	7/8	x	1	0.8760	0.8770	1.0030	1.0040	1/2
EXEP141610	7/8	x	1	0.8760	0.8770	1.0030	1.0040	5/8
EXEP141612	7/8	x	1	0.8760	0.8770	1.0030	1.0040	3/4
EXEP141614	7/8	x	1	0.8760	0.8770	1.0030	1.0040	7/8
EXEP141616	7/8	x	1	0.8760	0.8770	1.0030	1.0040	1
EXEP141620	7/8	x	1	0.8760	0.8770	1.0030	1.0040	1 1/4
EXEP141624	7/8	x	1	0.8760	0.8770	1.0030	1.0040	1 1/2
EXEP141628	7/8	x	1	0.8760	0.8770	1.0030	1.0040	1 3/4
EXEP141716	7/8	x	1 1/16	0.8760	0.8770	1.0655	1.0665	1
EXEP141720	7/8	x	1 1/16	0.8760	0.8770	1.0655	1.0665	1 1/4
EXEP141812	7/8	x	1 1/8	0.8760	0.8770	1.1280	1.1290	3/4
EXEP141814	7/8	x	1 1/8	0.8760	0.8770	1.1280	1.1290	7/8
EXEP141816	7/8	x	1 1/8	0.8760	0.8770	1.1280	1.1290	1
EXEP141818	7/8	x	1 1/8	0.8760	0.8770	1.1280	1.1290	1 1/8
EXEP141820	7/8	x	1 1/8	0.8760	0.8770	1.1280	1.1290	1 1/4
EXEP141822	7/8	x	1 1/8	0.8760	0.8770	1.1280	1.1290	1 3/8
EXEP141824	7/8	x	1 1/8	0.8760	0.8770	1.1280	1.1290	1 1/2
EXEP141828	7/8	x	1 1/8	0.8760	0.8770	1.1280	1.1290	1 3/4
EXEP141832	7/8	x	1 1/8	0.8760	0.8770	1.1280	1.1290	2
EXEP141836	7/8	x	1 1/8	0.8760	0.8770	1.1280	1.1290	2 1/4
EXEP141840	7/8	x	1 1/8	0.8760	0.8770	1.1280	1.1290	2 1/2
EXEP142012	7/8	x	1 1/4	0.8760	0.8770	1.2530	1.2540	3/4
EXEP142016	7/8	x	1 1/4	0.8760	0.8770	1.2530	1.2540	1
EXEP142020	7/8	x	1 1/4	0.8760	0.8770	1.2530	1.2540	1 1/4
EXEP142024	7/8	x	1 1/4	0.8760	0.8770	1.2530	1.2540	1 1/2
EXEP142032	7/8	x	1 1/4	0.8760	0.8770	1.2530	1.2540	2
EXEP151912	15/16	x	1 3/16	0.9385	0.9395	1.1905	1.1915	3/4
EXEP151916	15/16	x	1 3/16	0.9385	0.9395	1.1905	1.1915	1
EXEP151920	15/16	x	1 3/16	0.9385	0.9395	1.1905	1.1915	1 1/4
EXEP151924	15/16	x	1 3/16	0.9385	0.9395	1.1905	1.1915	1 1/2
EXEP151932	15/16	x	1 3/16	0.9385	0.9395	1.1905	1.1915	2
EXEP152012	15/16	x	1 1/4	0.9385	0.9395	1.2530	1.2540	3/4
EXEP152016	15/16	x	1 1/4	0.9385	0.9395	1.2530	1.2540	1
EXEP152020	15/16	x	1 1/4	0.9385	0.9395	1.2530	1.2540	1 1/4

Length Size	Tolerance
-- to 1.495"	±0.005"
1.496" to 2.990"	±0.0075"
2.991" to 4.895"	±0.010"



Powdered Metal SAE 841 Extra Sleeve (Plain) Bearings

PART NUMBER	NOMINAL SIZES			I.D. Min.	I.D. Max.	O.D. Min.	O.D. Max.	LENGTH
	I.D.		O.D.					
EXEP152024	15/16	x	1 1/4	0.9385	0.9395	1.2530	1.2540	1 1/2
EXEP152028	15/16	x	1 1/4	0.9385	0.9395	1.2530	1.2540	1 3/4
EXEP152032	15/16	x	1 1/4	0.9385	0.9395	1.2530	1.2540	2
EXEP161812	1	x	1 1/8	1.0020	1.0030	1.1280	1.1290	3/4
EXEP161814	1	x	1 1/8	1.0020	1.0030	1.1280	1.1290	7/8
EXEP161816	1	x	1 1/8	1.0020	1.0030	1.1280	1.1290	1
EXEP161820	1	x	1 1/8	1.0020	1.0030	1.1280	1.1290	1 1/4
EXEP161824	1	x	1 1/8	1.0020	1.0030	1.1280	1.1290	1 1/2
EXEP161828	1	x	1 1/8	1.0020	1.0030	1.1280	1.1290	1 3/4
EXEP161832	1	x	1 1/8	1.0020	1.0030	1.1280	1.1290	2
EXEP161912	1	x	1 3/16	1.0020	1.0030	1.1905	1.1915	3/4
EXEP161916	1	x	1 3/16	1.0020	1.0030	1.1905	1.1915	1
EXEP161920	1	x	1 3/16	1.0020	1.0030	1.1905	1.1915	1 1/4
EXEP161924	1	x	1 3/16	1.0020	1.0030	1.1905	1.1915	1 1/2
EXEP161928	1	x	1 3/16	1.0020	1.0030	1.1905	1.1915	1 3/4
EXEP161932	1	x	1 3/16	1.0020	1.0030	1.1905	1.1915	2
EXEP162008	1	x	1 1/4	1.0020	1.0030	1.2530	1.2540	1/2
EXEP162012	1	x	1 1/4	1.0020	1.0030	1.2530	1.2540	3/4
EXEP162014	1	x	1 1/4	1.0020	1.0030	1.2530	1.2540	7/8
EXEP162016	1	x	1 1/4	1.0020	1.0030	1.2530	1.2540	1
EXEP162020	1	x	1 1/4	1.0020	1.0030	1.2530	1.2540	1 1/4
EXEP162022	1	x	1 1/4	1.0020	1.0030	1.2530	1.2540	1 3/8
EXEP162024	1	x	1 1/4	1.0020	1.0030	1.2530	1.2540	1 1/2
EXEP162028	1	x	1 1/4	1.0020	1.0030	1.2530	1.2540	1 3/4
EXEP162032	1	x	1 1/4	1.0020	1.0030	1.2530	1.2540	2
EXEP162036	1	x	1 1/4	1.0020	1.0030	1.2530	1.2540	2 1/4
EXEP162040	1	x	1 1/4	1.0020	1.0030	1.2530	1.2540	2 1/2
EXEP162048	1	x	1 1/4	1.0020	1.0030	1.2530	1.2540	3
EXEP162116	1	x	1 5/16	1.0020	1.0030	1.3155	1.3165	1
EXEP162120	1	x	1 5/16	1.0020	1.0030	1.3155	1.3165	1 1/4
EXEP162124	1	x	1 5/16	1.0020	1.0030	1.3155	1.3165	1 1/2
EXEP162128	1	x	1 5/16	1.0020	1.0030	1.3155	1.3165	1 3/4
EXEP162132	1	x	1 5/16	1.0020	1.0030	1.3155	1.3165	2
EXEP162140	1	x	1 5/16	1.0020	1.0030	1.3155	1.3165	2 1/2
EXEP162148	1	x	1 5/16	1.0020	1.0030	1.3155	1.3165	3
EXEP162216	1	x	1 3/8	1.0020	1.0030	1.3780	1.3790	1
EXEP162220	1	x	1 3/8	1.0020	1.0030	1.3780	1.3790	1 1/4
EXEP162224	1	x	1 3/8	1.0020	1.0030	1.3780	1.3790	1 1/2
EXEP162228	1	x	1 3/8	1.0020	1.0030	1.3780	1.3790	1 3/4
EXEP162232	1	x	1 3/8	1.0020	1.0030	1.3780	1.3790	2
EXEP162240	1	x	1 3/8	1.0020	1.0030	1.3780	1.3790	2 1/2
EXEP162416	1	x	1 1/2	1.0020	1.0030	1.5030	1.5040	1
EXEP162420	1	x	1 1/2	1.0020	1.0030	1.5030	1.5040	1 1/4
EXEP162424	1	x	1 1/2	1.0020	1.0030	1.5030	1.5040	1 1/2
EXEP162428	1	x	1 1/2	1.0020	1.0030	1.5030	1.5040	1 3/4

Length Size	Tolerance
-- to 1.495"	±0.005"
1.496" to 2.990"	±0.0075"
2.991" to 4.895"	±0.010"

If you require any further assistance, please call: 419-866-7000
 or email: buntinginfo@buntingbearings.com



Powdered Metal SAE 841 Extra Sleeve (Plain) Bearings

PART NUMBER	NOMINAL SIZES			I.D. Min.	I.D. Max.	O.D. Min.	O.D. Max.	LENGTH
	I.D.		O.D.					
EXEP162432	1	x	1 1/2	1.0020	1.0030	1.5030	1.5040	2
EXEP162440	1	x	1 1/2	1.0020	1.0030	1.5030	1.5040	2 1/2
EXEP162448	1	x	1 1/2	1.0020	1.0030	1.5030	1.5040	3
EXEP182016	1 1/8	x	1 1/4	1.1270	1.1280	1.2530	1.2540	1
EXEP182020	1 1/8	x	1 1/4	1.1270	1.1280	1.2530	1.2540	1 1/4
EXEP182024	1 1/8	x	1 1/4	1.1270	1.1280	1.2530	1.2540	1 1/2
EXEP182116	1 1/8	x	1 5/16	1.1270	1.1280	1.3155	1.3165	1
EXEP182120	1 1/8	x	1 5/16	1.1270	1.1280	1.3155	1.3165	1 1/4
EXEP182124	1 1/8	x	1 5/16	1.1270	1.1280	1.3155	1.3165	1 1/2
EXEP182128	1 1/8	x	1 5/16	1.1270	1.1280	1.3155	1.3165	1 3/4
EXEP182132	1 1/8	x	1 5/16	1.1270	1.1280	1.3155	1.3165	2
EXEP182208	1 1/8	x	1 3/8	1.1270	1.1280	1.3780	1.3790	1/2
EXEP182212	1 1/8	x	1 3/8	1.1270	1.1280	1.3780	1.3790	3/4
EXEP182216	1 1/8	x	1 3/8	1.1270	1.1280	1.3780	1.3790	1
EXEP182220	1 1/8	x	1 3/8	1.1270	1.1280	1.3780	1.3790	1 1/4
EXEP182224	1 1/8	x	1 3/8	1.1270	1.1280	1.3780	1.3790	1 1/2
EXEP182228	1 1/8	x	1 3/8	1.1270	1.1280	1.3780	1.3790	1 3/4
EXEP182232	1 1/8	x	1 3/8	1.1270	1.1280	1.3780	1.3790	2
EXEP182240	1 1/8	x	1 3/8	1.1270	1.1280	1.3780	1.3790	2 1/2
EXEP182248	1 1/8	x	1 3/8	1.1270	1.1280	1.3780	1.3790	3
EXEP182416	1 1/8	x	1 1/2	1.1270	1.1280	1.5030	1.5040	1
EXEP182420	1 1/8	x	1 1/2	1.1270	1.1280	1.5030	1.5040	1 1/4
EXEP182424	1 1/8	x	1 1/2	1.1270	1.1280	1.5030	1.5040	1 1/2
EXEP182428	1 1/8	x	1 1/2	1.1270	1.1280	1.5030	1.5040	1 3/4
EXEP182432	1 1/8	x	1 1/2	1.1270	1.1280	1.5030	1.5040	2
EXEP182440	1 1/8	x	1 1/2	1.1270	1.1280	1.5030	1.5040	2 1/2
EXEP192320	1 3/16	x	1 7/16	1.1895	1.1905	1.4405	1.4415	1 1/4
EXEP192324	1 3/16	x	1 7/16	1.1895	1.1905	1.4405	1.4415	1 1/2
EXEP192332	1 3/16	x	1 7/16	1.1895	1.1905	1.4405	1.4415	2
EXEP192340	1 3/16	x	1 7/16	1.1895	1.1905	1.4405	1.4415	2 1/2
EXEP192348	1 3/16	x	1 7/16	1.1895	1.1905	1.4405	1.4415	3
EXEP192416	1 3/16	x	1 1/2	1.1895	1.1905	1.5030	1.5040	1
EXEP192420	1 3/16	x	1 1/2	1.1895	1.1905	1.5030	1.5040	1 1/4
EXEP192424	1 3/16	x	1 1/2	1.1895	1.1905	1.5030	1.5040	1 1/2
EXEP192428	1 3/16	x	1 1/2	1.1895	1.1905	1.5030	1.5040	1 3/4
EXEP192432	1 3/16	x	1 1/2	1.1895	1.1905	1.5030	1.5040	2
EXEP192440	1 3/16	x	1 1/2	1.1895	1.1905	1.5030	1.5040	2 1/2
EXEP192448	1 3/16	x	1 1/2	1.1895	1.1905	1.5030	1.5040	3
EXEP202408	1 1/4	x	1 1/2	1.2525	1.2535	1.5030	1.5040	1/2
EXEP202410	1 1/4	x	1 1/2	1.2525	1.2535	1.5030	1.5040	5/8
EXEP202412	1 1/4	x	1 1/2	1.2525	1.2535	1.5030	1.5040	3/4
EXEP202414	1 1/4	x	1 1/2	1.2525	1.2535	1.5030	1.5040	7/8
EXEP202416	1 1/4	x	1 1/2	1.2525	1.2535	1.5030	1.5040	1
EXEP202418	1 1/4	x	1 1/2	1.2525	1.2535	1.5030	1.5040	1 1/8
EXEP202420	1 1/4	x	1 1/2	1.2525	1.2535	1.5030	1.5040	1 1/4

Length Size	Tolerance
-- to 1.495"	±0.005"
1.496" to 2.990"	±0.0075"
2.991" to 4.895"	±0.010"



Powdered Metal SAE 841 Extra Sleeve (Plain) Bearings

PART NUMBER	NOMINAL SIZES			I.D. Min.	I.D. Max.	O.D. Min.	O.D. Max.	LENGTH
	I.D.		O.D.					
EXEP202422	1 1/4	x	1 1/2	1.2525	1.2535	1.5030	1.5040	1 3/8
EXEP202424	1 1/4	x	1 1/2	1.2525	1.2535	1.5030	1.5040	1 1/2
EXEP202426	1 1/4	x	1 1/2	1.2525	1.2535	1.5030	1.5040	1 5/8
EXEP202428	1 1/4	x	1 1/2	1.2525	1.2535	1.5030	1.5040	1 3/4
EXEP202430	1 1/4	x	1 1/2	1.2525	1.2535	1.5030	1.5040	1 7/8
EXEP202432	1 1/4	x	1 1/2	1.2525	1.2535	1.5030	1.5040	2
EXEP202436	1 1/4	x	1 1/2	1.2525	1.2535	1.5030	1.5040	2 1/4
EXEP202440	1 1/4	x	1 1/2	1.2525	1.2535	1.5030	1.5040	2 1/2
EXEP202448	1 1/4	x	1 1/2	1.2525	1.2535	1.5030	1.5040	3
EXEP202616	1 1/4	x	1 5/8	1.2525	1.2535	1.6285	1.6300	1
EXEP202620	1 1/4	x	1 5/8	1.2525	1.2535	1.6285	1.6300	1 1/4
EXEP202624	1 1/4	x	1 5/8	1.2525	1.2535	1.6285	1.6300	1 1/2
EXEP202628	1 1/4	x	1 5/8	1.2525	1.2535	1.6285	1.6300	1 3/4
EXEP202632	1 1/4	x	1 5/8	1.2525	1.2535	1.6285	1.6300	2
EXEP202640	1 1/4	x	1 5/8	1.2525	1.2535	1.6285	1.6300	2 1/2
EXEP202648	1 1/4	x	1 5/8	1.2525	1.2535	1.6285	1.6300	3
EXEP202828	1 1/4	x	1 3/4	1.2525	1.2535	1.7535	1.7550	1 3/4
EXEP202832	1 1/4	x	1 3/4	1.2525	1.2535	1.7535	1.7550	2
EXEP202840	1 1/4	x	1 3/4	1.2525	1.2535	1.7535	1.7550	2 1/2
EXEP202848	1 1/4	x	1 3/4	1.2525	1.2535	1.7535	1.7550	3
EXEP212620	1 5/16	x	1 5/8	1.3150	1.3160	1.6285	1.6300	1 1/4
EXEP212624	1 5/16	x	1 5/8	1.3150	1.3160	1.6285	1.6300	1 1/2
EXEP212632	1 5/16	x	1 5/8	1.3150	1.3160	1.6285	1.6300	2
EXEP212640*	1 5/16	x	1 5/8	1.3150	1.3160	1.6285	1.6300	2 1/2
EXEP212648	1 5/16	x	1 5/8	1.3150	1.3160	1.6285	1.6300	3
EXEP222616	1 3/8	x	1 5/8	1.3775	1.3785	1.6285	1.6300	1
EXEP222618	1 3/8	x	1 5/8	1.3775	1.3785	1.6285	1.6300	1 1/8
EXEP222620	1 3/8	x	1 5/8	1.3775	1.3785	1.6285	1.6300	1 1/4
EXEP222624	1 3/8	x	1 5/8	1.3775	1.3785	1.6285	1.6300	1 1/2
EXEP222632	1 3/8	x	1 5/8	1.3775	1.3785	1.6285	1.6300	2
EXEP222640	1 3/8	x	1 5/8	1.3775	1.3785	1.6285	1.6300	2 1/2
EXEP222648	1 3/8	x	1 5/8	1.3775	1.3785	1.6285	1.6300	3
EXEP222816	1 3/8	x	1 3/4	1.3775	1.3785	1.7535	1.7550	1
EXEP222824	1 3/8	x	1 3/4	1.3775	1.3785	1.7535	1.7550	1 1/2
EXEP222832	1 3/8	x	1 3/4	1.3775	1.3785	1.7535	1.7550	2
EXEP222840	1 3/8	x	1 3/4	1.3775	1.3785	1.7535	1.7550	2 1/2
EXEP222848	1 3/8	x	1 3/4	1.3775	1.3785	1.7535	1.7550	3
EXEP232616	1 7/16	x	1 5/8	1.4400	1.4410	1.6285	1.6300	1
EXEP232624	1 7/16	x	1 5/8	1.4400	1.4410	1.6285	1.6300	1 1/2
EXEP232632	1 7/16	x	1 5/8	1.4400	1.4410	1.6285	1.6300	2
EXEP232816	1 7/16	x	1 3/4	1.4400	1.4410	1.7535	1.7550	1
EXEP232820	1 7/16	x	1 3/4	1.4400	1.4410	1.7535	1.7550	1 1/4
EXEP232824	1 7/16	x	1 3/4	1.4400	1.4410	1.7535	1.7550	1 1/2
EXEP232828	1 7/16	x	1 3/4	1.4400	1.4410	1.7535	1.7550	1 3/4
EXEP232832	1 7/16	x	1 3/4	1.4400	1.4410	1.7535	1.7550	2

*When current inventory is depleted, these sizes will be supplied on special order basis only. Minimum order quantities may apply.

Length Size	Tolerance
-- to 1.495"	±0.005"
1.496" to 2.990"	±0.0075"
2.991" to 4.895"	±0.010"

If you require any further assistance, please call: 419-866-7000
or email: buntinginfo@buntingbearings.com



Powdered Metal SAE 841 Extra Sleeve (Plain) Bearings

PART NUMBER	NOMINAL SIZES		I.D. Min.	I.D. Max.	O.D. Min.	O.D. Max.	LENGTH
	I.D.	O.D.					
EXEP232840	1 7/16	x 1 3/4	1.4400	1.4410	1.7535	1.7550	2 1/2
EXEP232848	1 7/16	x 1 3/4	1.4400	1.4410	1.7535	1.7550	3
EXEP242808	1 1/2	x 1 3/4	1.5030	1.5040	1.7535	1.7550	1/2
EXEP242810	1 1/2	x 1 3/4	1.5030	1.5040	1.7535	1.7550	5/8
EXEP242812	1 1/2	x 1 3/4	1.5030	1.5040	1.7535	1.7550	3/4
EXEP242814	1 1/2	x 1 3/4	1.5030	1.5040	1.7535	1.7550	7/8
EXEP242816	1 1/2	x 1 3/4	1.5030	1.5040	1.7535	1.7550	1
EXEP242820	1 1/2	x 1 3/4	1.5030	1.5040	1.7535	1.7550	1 1/4
EXEP242822	1 1/2	x 1 3/4	1.5030	1.5040	1.7535	1.7550	1 3/8
EXEP242824	1 1/2	x 1 3/4	1.5030	1.5040	1.7535	1.7550	1 1/2
EXEP242828	1 1/2	x 1 3/4	1.5030	1.5040	1.7535	1.7550	1 3/4
EXEP242832	1 1/2	x 1 3/4	1.5030	1.5040	1.7535	1.7550	2
EXEP242836	1 1/2	x 1 3/4	1.5030	1.5040	1.7535	1.7550	2 1/4
EXEP242840	1 1/2	x 1 3/4	1.5030	1.5040	1.7535	1.7550	2 1/2
EXEP242848	1 1/2	x 1 3/4	1.5030	1.5040	1.7535	1.7550	3
EXEP242916*	1 1/2	x 1 13/16	1.5030	1.5040	1.8160	1.8175	1
EXEP242924*	1 1/2	x 1 13/16	1.5030	1.5040	1.8160	1.8175	1 1/2
EXEP242926	1 1/2	x 1 13/16	1.5030	1.5040	1.8160	1.8175	1 5/8
EXEP243024	1 1/2	x 1 7/8	1.5030	1.5040	1.8785	1.8800	1 1/2
EXEP243032	1 1/2	x 1 7/8	1.5030	1.5040	1.8785	1.8800	2
EXEP243040	1 1/2	x 1 7/8	1.5030	1.5040	1.8785	1.8800	2 1/2
EXEP243044	1 1/2	x 1 7/8	1.5030	1.5040	1.8785	1.8800	2 3/4
EXEP243048	1 1/2	x 1 7/8	1.5030	1.5040	1.8785	1.8800	3
EXEP243216	1 1/2	x 2	1.5030	1.5040	2.0035	2.0050	1
EXEP243224	1 1/2	x 2	1.5030	1.5040	2.0035	2.0050	1 1/2
EXEP243232	1 1/2	x 2	1.5030	1.5040	2.0035	2.0050	2
EXEP243240	1 1/2	x 2	1.5030	1.5040	2.0035	2.0050	2 1/2
EXEP243248	1 1/2	x 2	1.5030	1.5040	2.0035	2.0050	3
EXEP243256	1 1/2	x 2	1.5030	1.5040	2.0035	2.0050	3 1/2
EXEP263020	1 5/8	x 1 7/8	1.6275	1.6290	1.8785	1.8800	1 1/4
EXEP263024	1 5/8	x 1 7/8	1.6275	1.6290	1.8785	1.8800	1 1/2
EXEP263028	1 5/8	x 1 7/8	1.6275	1.6290	1.8785	1.8800	1 3/4
EXEP263032	1 5/8	x 1 7/8	1.6275	1.6290	1.8785	1.8800	2
EXEP263036	1 5/8	x 1 7/8	1.6275	1.6290	1.8785	1.8800	2 1/4
EXEP263040	1 5/8	x 1 7/8	1.6275	1.6290	1.8785	1.8800	2 1/2
EXEP263048	1 5/8	x 1 7/8	1.6275	1.6290	1.8785	1.8800	3
EXEP263216	1 5/8	x 2	1.6275	1.6290	2.0035	2.0050	1
EXEP263224	1 5/8	x 2	1.6275	1.6290	2.0035	2.0050	1 1/2
EXEP263232	1 5/8	x 2	1.6275	1.6290	2.0035	2.0050	2
EXEP263240	1 5/8	x 2	1.6275	1.6290	2.0035	2.0050	2 1/2
EXEP263248	1 5/8	x 2	1.6275	1.6290	2.0035	2.0050	3
EXEP273528*	1 11/16	x 2 3/16	1.6900	1.6915	2.1910	2.1925	1 3/4
EXEP273532	1 11/16	x 2 3/16	1.6900	1.6915	2.1910	2.1925	2
EXEP273548	1 11/16	x 2 3/16	1.6900	1.6915	2.1910	2.1925	3
EXEP273564	1 11/16	x 2 3/16	1.6900	1.6915	2.1910	2.1925	4

*When current inventory is depleted, these sizes will be supplied on special order basis only. Minimum order quantities may apply.

Length Size	Tolerance
-- to 1.495"	±0.005"
1.496" to 2.990"	±0.0075"
2.991" to 4.895"	±0.010"



Powdered Metal SAE 841 Extra Sleeve (Plain) Bearings

PART NUMBER	NOMINAL SIZES			I.D. Min.	I.D. Max.	O.D. Min.	O.D. Max.	LENGTH
	I.D.		O.D.					
EXEP283216	1 3/4	x	2	1.7525	1.7540	2.0035	2.0050	1
EXEP283220	1 3/4	x	2	1.7525	1.7540	2.0035	2.0050	1 1/4
EXEP283224	1 3/4	x	2	1.7525	1.7540	2.0035	2.0050	1 1/2
EXEP283228	1 3/4	x	2	1.7525	1.7540	2.0035	2.0050	1 3/4
EXEP283232	1 3/4	x	2	1.7525	1.7540	2.0035	2.0050	2
EXEP283240	1 3/4	x	2	1.7525	1.7540	2.0035	2.0050	2 1/2
EXEP283248	1 3/4	x	2	1.7525	1.7540	2.0035	2.0050	3
EXEP283424	1 3/4	x	2 1/8	1.7525	1.7540	2.1285	2.1300	1 1/2
EXEP283432	1 3/4	x	2 1/8	1.7525	1.7540	2.1285	2.1300	2
EXEP283448	1 3/4	x	2 1/8	1.7525	1.7540	2.1285	2.1300	3
EXEP313732	1 15/16	x	2 5/16	1.9400	1.9415	2.3160	2.3175	2
EXEP313740	1 15/16	x	2 5/16	1.9400	1.9415	2.3160	2.3175	2 1/2
EXEP313748	1 15/16	x	2 5/16	1.9400	1.9415	2.3160	2.3175	3
EXEP313764	1 15/16	x	2 5/16	1.9400	1.9415	2.3160	2.3175	4
EXEP323612	2	x	2 1/4	2.0025	2.0040	2.2535	2.2550	3/4
EXEP323616	2	x	2 1/4	2.0025	2.0040	2.2535	2.2550	1
EXEP323624	2	x	2 1/4	2.0025	2.0040	2.2535	2.2550	1 1/2
EXEP323632	2	x	2 1/4	2.0025	2.0040	2.2535	2.2550	2
EXEP323640	2	x	2 1/4	2.0025	2.0040	2.2535	2.2550	2 1/2
EXEP323648	2	x	2 1/4	2.0025	2.0040	2.2535	2.2550	3
EXEP323818	2	x	2 3/8	2.0025	2.0040	2.3785	2.3800	1 1/8
EXEP323824	2	x	2 3/8	2.0025	2.0040	2.3785	2.3800	1 1/2
EXEP323828	2	x	2 3/8	2.0025	2.0040	2.3785	2.3800	1 3/4
EXEP323832	2	x	2 3/8	2.0025	2.0040	2.3785	2.3800	2
EXEP323840	2	x	2 3/8	2.0025	2.0040	2.3785	2.3800	2 1/2
EXEP323844	2	x	2 3/8	2.0025	2.0040	2.3785	2.3800	2 3/4
EXEP323848	2	x	2 3/8	2.0025	2.0040	2.3785	2.3800	3
EXEP323856	2	x	2 3/8	2.0025	2.0040	2.3785	2.3800	3 1/2
EXEP323864	2	x	2 3/8	2.0025	2.0040	2.3785	2.3800	4
EXEP324016	2	x	2 1/2	2.0025	2.0040	2.5035	2.5050	1
EXEP324024	2	x	2 1/2	2.0025	2.0040	2.5035	2.5050	1 1/2
EXEP324032	2	x	2 1/2	2.0025	2.0040	2.5035	2.5050	2
EXEP324040	2	x	2 1/2	2.0025	2.0040	2.5035	2.5050	2 1/2
EXEP324048	2	x	2 1/2	2.0025	2.0040	2.5035	2.5050	3
EXEP324056	2	x	2 1/2	2.0025	2.0040	2.5035	2.5050	3 1/2
EXEP324064	2	x	2 1/2	2.0025	2.0040	2.5035	2.5050	4
EXEP364232	2 1/4	x	2 5/8	2.2525	2.2540	2.6290	2.6310	2
EXEP364240	2 1/4	x	2 5/8	2.2525	2.2540	2.6290	2.6310	2 1/2
EXEP364248	2 1/4	x	2 5/8	2.2525	2.2540	2.6290	2.6310	3
EXEP364432	2 1/4	x	2 3/4	2.2525	2.2540	2.7540	2.7560	2
EXEP364448	2 1/4	x	2 3/4	2.2525	2.2540	2.7540	2.7560	3
EXEP384432	2 3/8	x	2 3/4	2.3775	2.3790	2.7540	2.7560	2
EXEP384440*	2 3/8	x	2 3/4	2.3775	2.3790	2.7540	2.7560	2 1/2
EXEP384448	2 3/8	x	2 3/4	2.3775	2.3790	2.7540	2.7560	3
EXEP404432	2 1/2	x	2 3/4	2.5035	2.5050	2.7540	2.7560	2

*When current inventory is depleted, these sizes will be supplied on special order basis only. Minimum order quantities may apply.

Length Size	Tolerance
-- to 1.495"	±0.005"
1.496" to 2.990"	±0.0075"
2.991" to 4.895"	±0.010"



Powdered Metal SAE 841 Extra Sleeve (Plain) Bearings

PART NUMBER	NOMINAL SIZES		I.D. Min.	I.D. Max.	O.D. Min.	O.D. Max.	LENGTH
	I.D.	O.D.					
EXEP404448	2 1/2	x 2 3/4	2.5035	2.5050	2.7540	2.7560	3
EXEP404464	2 1/2	x 2 3/4	2.5035	2.5050	2.7540	2.7560	4
EXEP404636	2 1/2	x 2 7/8	2.5035	2.5050	2.8790	2.8810	2 1/4
EXEP404640	2 1/2	x 2 7/8	2.5035	2.5050	2.8790	2.8810	2 1/2
EXEP404648	2 1/2	x 2 7/8	2.5035	2.5050	2.8790	2.8810	3
EXEP404832	2 1/2	x 3	2.5035	2.5050	3.0040	3.0060	2
EXEP404848	2 1/2	x 3	2.5035	2.5050	3.0040	3.0060	3
EXEP404864	2 1/2	x 3	2.5035	2.5050	3.0040	3.0060	4
EXEP445232	2 3/4	x 3 1/4	2.7530	2.7550	3.2540	3.2570	2
EXEP445248	2 3/4	x 3 1/4	2.7530	2.7550	3.2540	3.2570	3
EXEP445264	2 3/4	x 3 1/4	2.7530	2.7550	3.2540	3.2570	4
EXEP485232	3	x 3 1/4	3.0040	3.0060	3.2540	3.2570	2
EXEP485248	3	x 3 1/4	3.0040	3.0060	3.2540	3.2570	3
EXEP485632	3	x 3 1/2	3.0040	3.0060	3.5040	3.5070	2
EXEP485640	3	x 3 1/2	3.0040	3.0060	3.5040	3.5070	2 1/2
EXEP485648	3	x 3 1/2	3.0040	3.0060	3.5040	3.5070	3
EXEP485664	3	x 3 1/2	3.0040	3.0060	3.5040	3.5070	4
EXEP566432	3 1/2	x 4	3.5040	3.5070	4.0050	4.0080	2
EXEP566448	3 1/2	x 4	3.5040	3.5070	4.0050	4.0080	3
EXEP566456	3 1/2	x 4	3.5040	3.5070	4.0050	4.0080	3 1/2
EXEP566464	3 1/2	x 4	3.5040	3.5070	4.0050	4.0080	4
EXEP647264	4	x 4 1/2	4.0050	4.0080	4.5050	4.5090	4

Length Size	Tolerance
-- to 1.495"	±0.005"
1.496" to 2.990"	±0.0075"
2.991" to 4.895"	±0.010"



Powdered Metal SAE 841 Extra Flanged Bearings

PART NUMBER	NOMINAL SIZES		I.D. Min.	I.D. Max.	O.D. Min.	O.D. Max.	LENGTH	FLANGE O.D.	FLANGE THK.
	I.D.	O.D.							
EXEF030503	3/16	x 5/16	0.1885	0.1895	0.3145	0.3155	3/16	7/16	1/16
EXEF030504	3/16	x 5/16	0.1885	0.1895	0.3145	0.3155	1/4	7/16	1/16
EXEF030505	3/16	x 5/16	0.1885	0.1895	0.3145	0.3155	5/16	7/16	1/16
EXEF030506	3/16	x 5/16	0.1885	0.1895	0.3145	0.3155	3/8	7/16	1/16
EXEF030508	3/16	x 5/16	0.1885	0.1895	0.3145	0.3155	1/2	7/16	1/16
EXEF040603	1/4	x 3/8	0.2510	0.2520	0.3770	0.3780	3/16	1/2	1/16
EXEF040604	1/4	x 3/8	0.2510	0.2520	0.3770	0.3780	1/4	1/2	1/16
EXEF040606	1/4	x 3/8	0.2510	0.2520	0.3770	0.3780	3/8	1/2	1/16
EXEF040607	1/4	x 3/8	0.2510	0.2520	0.3770	0.3780	7/16	1/2	1/16
EXEF040608	1/4	x 3/8	0.2510	0.2520	0.3770	0.3780	1/2	1/2	1/16
EXEF040610	1/4	x 3/8	0.2510	0.2520	0.3770	0.3780	5/8	1/2	1/16
EXEF040612	1/4	x 3/8	0.2510	0.2520	0.3770	0.3780	3/4	1/2	1/16
EXEF050706	5/16	x 7/16	0.3135	0.3145	0.4395	0.4405	3/8	9/16	1/16
EXEF050708	5/16	x 7/16	0.3135	0.3145	0.4395	0.4405	1/2	9/16	1/16
EXEF050712	5/16	x 7/16	0.3135	0.3145	0.4395	0.4405	3/4	9/16	1/16
EXEF050806	5/16	x 1/2	0.3135	0.3145	0.5020	0.5030	3/8	11/16	1/16
EXEF060804	3/8	x 1/2	0.3760	0.3770	0.5020	0.5030	1/4	11/16	1/16
EXEF060806	3/8	x 1/2	0.3760	0.3770	0.5020	0.5030	3/8	11/16	1/16
EXEF060808	3/8	x 1/2	0.3760	0.3770	0.5020	0.5030	1/2	11/16	1/16
EXEF060812	3/8	x 1/2	0.3760	0.3770	0.5020	0.5030	3/4	11/16	1/16
EXEF060816	3/8	x 1/2	0.3760	0.3770	0.5020	0.5030	1	11/16	1/16
EXEF060908	3/8	x 9/16	0.3760	0.3770	0.5645	0.5655	1/2	11/16	1/16
EXEF060912	3/8	x 9/16	0.3760	0.3770	0.5645	0.5655	3/4	11/16	1/16
EXEF061008	3/8	x 5/8	0.3760	0.3770	0.6270	0.6280	1/2	7/8	1/16
EXEF061012	3/8	x 5/8	0.3760	0.3770	0.6270	0.6280	3/4	7/8	1/16
EXEF061016	3/8	x 5/8	0.3760	0.3770	0.6270	0.6280	1	7/8	1/16
EXEF061020	3/8	x 5/8	0.3760	0.3770	0.6270	0.6280	1 1/4	7/8	1/16
EXEF070908	7/16	x 9/16	0.4385	0.4395	0.5645	0.5655	1/2	11/16	1/16
EXEF070912	7/16	x 9/16	0.4385	0.4395	0.5645	0.5655	3/4	11/16	1/16
EXEF071012	7/16	x 5/8	0.4385	0.4395	0.6270	0.6280	3/4	7/8	1/8
EXEF071020	7/16	x 5/8	0.4385	0.4395	0.6270	0.6280	1 1/4	7/8	1/8
EXEF081005	1/2	x 5/8	0.5010	0.5020	0.6270	0.6280	5/16	7/8	1/8
EXEF081006	1/2	x 5/8	0.5010	0.5020	0.6270	0.6280	3/8	7/8	1/8
EXEF081008	1/2	x 5/8	0.5010	0.5020	0.6270	0.6280	1/2	7/8	1/8
EXEF081010	1/2	x 5/8	0.5010	0.5020	0.6270	0.6280	5/8	7/8	1/8
EXEF081012	1/2	x 5/8	0.5010	0.5020	0.6270	0.6280	3/4	7/8	1/8
EXEF081016	1/2	x 5/8	0.5010	0.5020	0.6270	0.6280	1	7/8	1/8
EXEF081020	1/2	x 5/8	0.5010	0.5020	0.6270	0.6280	1 1/4	7/8	1/8
EXEF081024	1/2	x 5/8	0.5010	0.5020	0.6270	0.6280	1 1/2	7/8	1/8
EXEF081105	1/2	x 11/16	0.5010	0.5020	0.6895	0.6905	5/16	7/8	1/8
EXEF081108	1/2	x 11/16	0.5010	0.5020	0.6895	0.6905	1/2	7/8	1/8
EXEF081112	1/2	x 11/16	0.5010	0.5020	0.6895	0.6905	3/4	7/8	1/8
EXEF081208	1/2	x 3/4	0.5010	0.5020	0.7520	0.7530	1/2	1	1/8
EXEF081210	1/2	x 3/4	0.5010	0.5020	0.7520	0.7530	5/8	1	1/8

Length Size	Tolerance
-- to 1.495"	±0.005"
1.496" to 2.990"	±0.0075"
2.991" to 4.895"	±0.010"

Flange O.D. Size	Flange O.D. Tolerance
0 to 1.5"	±0.005"
Over 1.5" to 3"	±0.010"
Over 3" to 6"	±0.025"

Flange O.D. Size	Flange Thickness Tolerance
0 to 1.5"	±0.005"
Over 1.5" to 3"	±0.010"
Over 3" to 6"	±0.015"

If you require any further assistance, please call: 419-866-7000
or email: buntinginfo@buntingbearings.com



Powdered Metal SAE 841 Extra Flanged Bearings

PART NUMBER	NOMINAL SIZES		I.D. Min.	I.D. Max.	O.D. Min.	O.D. Max.	LENGTH	FLANGE O.D.	FLANGE THK.
	I.D.	O.D.							
EXEF081212	1/2	x 3/4	0.5010	0.5020	0.7520	0.7530	3/4	1	1/8
EXEF081216	1/2	x 3/4	0.5010	0.5020	0.7520	0.7530	1	1	1/8
EXEF081220	1/2	x 3/4	0.5010	0.5020	0.7520	0.7530	1 1/4	1	1/8
EXEF101210	5/8	x 3/4	0.6260	0.6270	0.7520	0.7530	5/8	1	1/8
EXEF101212	5/8	x 3/4	0.6260	0.6270	0.7520	0.7530	3/4	1	1/8
EXEF101216	5/8	x 3/4	0.6260	0.6270	0.7520	0.7530	1	1	1/8
EXEF101218	5/8	x 3/4	0.6260	0.6270	0.7520	0.7530	1 1/8	1	1/8
EXEF101312	5/8	x 13/16	0.6260	0.6270	0.8155	0.8165	3/4	1	1/8
EXEF101316	5/8	x 13/16	0.6260	0.6270	0.8155	0.8165	1	1	1/8
EXEF101320	5/8	x 13/16	0.6260	0.6270	0.8155	0.8165	1 1/4	1	1/8
EXEF101324	5/8	x 13/16	0.6260	0.6270	0.8155	0.8165	1 1/2	1	1/8
EXEF101408	5/8	x 7/8	0.6260	0.6270	0.8780	0.8790	1/2	1 1/8	1/8
EXEF101410	5/8	x 7/8	0.6260	0.6270	0.8780	0.8790	5/8	1 1/8	1/8
EXEF101412	5/8	x 7/8	0.6260	0.6270	0.8780	0.8790	3/4	1 1/8	1/8
EXEF101416	5/8	x 7/8	0.6260	0.6270	0.8780	0.8790	1	1 1/8	1/8
EXEF101420	5/8	x 7/8	0.6260	0.6270	0.8780	0.8790	1 1/4	1 1/8	1/8
EXEF101616	5/8	x 1	0.6260	0.6270	1.0030	1.0040	1	1 1/4	3/16
EXEF121408	3/4	x 7/8	0.7510	0.7520	0.8780	0.8790	1/2	1 1/8	1/8
EXEF121412	3/4	x 7/8	0.7510	0.7520	0.8780	0.8790	3/4	1 1/8	1/8
EXEF121509	3/4	x 15/16	0.7510	0.7520	0.9405	0.9415	9/16	1 1/4	1/8
EXEF121512	3/4	x 15/16	0.7510	0.7520	0.9405	0.9415	3/4	1 1/4	1/8
EXEF121516	3/4	x 15/16	0.7510	0.7520	0.9405	0.9415	1	1 1/4	1/8
EXEF121518	3/4	x 15/16	0.7510	0.7520	0.9405	0.9415	1 1/8	1 1/4	1/8
EXEF121520	3/4	x 15/16	0.7510	0.7520	0.9405	0.9415	1 1/4	1 1/4	1/8
EXEF121524	3/4	x 15/16	0.7510	0.7520	0.9405	0.9415	1 1/2	1 1/4	1/8
EXEF121610	3/4	x 1	0.7510	0.7520	1.0030	1.0040	5/8	1 1/4	3/16
EXEF121612	3/4	x 1	0.7510	0.7520	1.0030	1.0040	3/4	1 1/4	3/16
EXEF121616	3/4	x 1	0.7510	0.7520	1.0030	1.0040	1	1 1/4	3/16
EXEF121618	3/4	x 1	0.7510	0.7520	1.0030	1.0040	1 1/8	1 1/4	3/16
EXEF121620	3/4	x 1	0.7510	0.7520	1.0030	1.0040	1 1/4	1 1/4	3/16
EXEF121624	3/4	x 1	0.7510	0.7520	1.0030	1.0040	1 1/2	1 1/4	3/16
EXEF141608	7/8	x 1	0.8760	0.8770	1.0030	1.0040	1/2	1 1/4	3/16
EXEF141612	7/8	x 1	0.8760	0.8770	1.0030	1.0040	3/4	1 1/4	3/16
EXEF141616	7/8	x 1	0.8760	0.8770	1.0030	1.0040	1	1 1/4	3/16
EXEF141812	7/8	x 1 1/8	0.8760	0.8770	1.1280	1.1290	3/4	1 1/2	1/8
EXEF141816	7/8	x 1 1/8	0.8760	0.8770	1.1280	1.1290	1	1 1/2	1/8
EXEF141820	7/8	x 1 1/8	0.8760	0.8770	1.1280	1.1290	1 1/4	1 1/2	1/8
EXEF141824	7/8	x 1 1/8	0.8760	0.8770	1.1280	1.1290	1 1/2	1 1/2	1/8
EXEF141828	7/8	x 1 1/8	0.8760	0.8770	1.1280	1.1290	1 3/4	1 1/2	1/8
EXEF162012	1	x 1 1/4	1.0020	1.0030	1.2530	1.2540	3/4	1 1/2	1/8
EXEF162016	1	x 1 1/4	1.0020	1.0030	1.2530	1.2540	1	1 1/2	1/8
EXEF162020	1	x 1 1/4	1.0020	1.0030	1.2530	1.2540	1 1/4	1 1/2	1/8
EXEF162024	1	x 1 1/4	1.0020	1.0030	1.2530	1.2540	1 1/2	1 1/2	1/8
EXEF162212	1	x 1 3/8	1.0020	1.0030	1.3780	1.3790	3/4	1 5/8	3/16

Length Size	Tolerance
-- to 1.495"	±0.005"
1.496" to 2.990"	±0.0075"
2.991" to 4.895"	±0.010"

Flange O.D. Size	Flange O.D. Tolerance
0 to 1.5"	±0.005"
Over 1.5" to 3"	±0.010"
Over 3" to 6"	±0.025"

Flange O.D. Size	Flange Thickness Tolerance
0 to 1.5"	±0.005"
Over 1.5" to 3"	±0.010"
Over 3" to 6"	±0.015"



Powdered Metal SAE 841 Extra Flanged Bearings

PART NUMBER	NOMINAL SIZES		I.D. Min.	I.D. Max.	O.D. Min.	O.D. Max.	LENGTH	FLANGE O.D.	FLANGE THK.
	I.D.	O.D.							
EXEF162216	1	x 1 3/8	1.0020	1.0030	1.3780	1.3790	1	1 5/8	3/16
EXEF162224	1	x 1 3/8	1.0020	1.0030	1.3780	1.3790	1 1/2	1 5/8	3/16
EXEF162228	1	x 1 3/8	1.0020	1.0030	1.3780	1.3790	1 3/4	1 5/8	3/16
EXEF162232	1	x 1 3/8	1.0020	1.0030	1.3780	1.3790	2	1 5/8	3/16
EXEF202416	1 1/4	x 1 1/2	1.2525	1.2535	1.5030	1.5040	1	1 3/4	3/16
EXEF202420	1 1/4	x 1 1/2	1.2525	1.2535	1.5030	1.5040	1 1/4	1 3/4	3/16
EXEF202424	1 1/4	x 1 1/2	1.2525	1.2535	1.5030	1.5040	1 1/2	1 3/4	3/16
EXEF202428	1 1/4	x 1 1/2	1.2525	1.2535	1.5030	1.5040	1 3/4	1 3/4	3/16
EXEF242824	1 1/2	x 1 3/4	1.5030	1.5040	1.7535	1.7550	1 1/2	2	3/16
EXEF263232	1 5/8	x 2	1.6275	1.6290	2.0035	2.0050	2	2 1/4	3/16
EXEF283640	1 3/4	x 2 1/4	1.7525	1.7540	2.2535	2.2550	2 1/2	3	1/4
EXEF323632	2	x 2 1/4	2.0025	2.0040	2.2535	2.2550	2	2 1/2	1/8

Length Size	Tolerance
-- to 1.495"	±0.005"
1.496" to 2.990"	±0.0075"
2.991" to 4.895"	±0.010"

Flange O.D. Size	Flange O.D. Tolerance
0 to 1.5"	±0.005"
Over 1.5" to 3"	±0.010"
Over 3" to 6"	±0.025"

Flange O.D. Size	Flange Thickness Tolerance
0 to 1.5"	±0.005"
Over 1.5" to 3"	±0.010"
Over 3" to 6"	±0.015"

If you require any further assistance, please call: 419-866-7000
or email: buntinginfo@buntingbearings.com



Powdered Metal SAE 841 Extra Thrust Washers

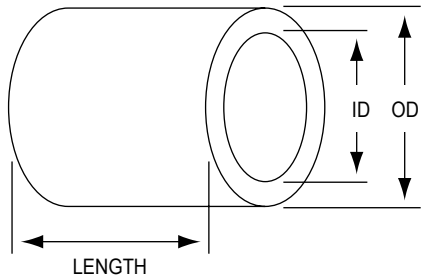
PART NUMBER	NOMINAL SIZES			I.D. Min.	I.D. Max.	O.D. Min.	O.D. Max.	LENGTH/THICKNESS ±0.005"
	I.D.		O.D.					
EXEW041001	1/4	x	5/8	0.2520	0.2560	0.6230	0.6330	1/16
EXEW051201	5/16	x	3/4	0.3145	0.3185	0.7480	0.7580	1/16
EXEW061201	3/8	x	3/4	0.3770	0.3810	0.7480	0.7580	1/16
EXEW061202	3/8	x	3/4	0.3770	0.3810	0.7480	0.7580	1/8
EXEW071201	7/16	x	3/4	0.4395	0.4435	0.7480	0.7580	1/16
EXEW081201	1/2	x	3/4	0.5020	0.5060	0.7480	0.7580	1/16
EXEW081601	1/2	x	1	0.5020	0.5060	0.9990	1.0090	1/16
EXEW081601.5	1/2	x	1	0.5020	0.5060	0.9990	1.0090	3/32
EXEW081602	1/2	x	1	0.5020	0.5060	0.9990	1.0090	1/8
EXEW092001	9/16	x	1 1/4	0.5645	0.5685	1.2490	1.2590	1/16
EXEW092002	9/16	x	1 1/4	0.5645	0.5685	1.2490	1.2590	1/8
EXEW101601	5/8	x	1	0.6270	0.6310	0.9990	1.0090	1/16
EXEW101602	5/8	x	1	0.6270	0.6310	0.9990	1.0090	1/8
EXEW101901	5/8	x	1 3/16	0.6270	0.6310	1.1865	1.1965	1/16
EXEW101902	5/8	x	1 3/16	0.6270	0.6310	1.1865	1.1965	3/32
EXEW101903	5/8	x	1 3/16	0.6270	0.6310	1.1865	1.1965	1/8
EXEW102001	5/8	x	1 1/4	0.6270	0.6310	1.2490	1.2590	1/16
EXEW102002	5/8	x	1 1/4	0.6270	0.6310	1.2490	1.2590	1/8
EXEW122001	3/4	x	1 1/4	0.7520	0.7560	1.2490	1.2590	1/16
EXEW122002	3/4	x	1 1/4	0.7520	0.7560	1.2490	1.2590	1/8
EXEW122202	3/4	x	1 3/8	0.7520	0.7560	1.3740	1.3840	1/8
EXEW122502	3/4	x	1 9/16	0.7520	0.7560	1.5575	1.5775	3/32
EXEW122802	3/4	x	1 3/4	0.7520	0.7560	1.7450	1.7650	1/8
EXEW142401	7/8	x	1 1/2	0.8770	0.8810	1.4990	1.5090	1/16
EXEW142402	7/8	x	1 1/2	0.8770	0.8810	1.4990	1.5090	1/8
EXEW162401	1	x	1 1/2	1.0030	1.0070	1.4990	1.5090	1/16
EXEW162402	1	x	1 1/2	1.0030	1.0070	1.4990	1.5090	1/8
EXEW162601	1	x	1 5/8	1.0030	1.0070	1.6200	1.6400	1/16
EXEW162602	1	x	1 5/8	1.0030	1.0070	1.6200	1.6400	1/8
EXEW162604	1	x	1 5/8	1.0030	1.0070	1.6200	1.6400	1/4
EXEW163202	1	x	2	1.0030	1.0070	1.9950	2.0150	1/8
EXEW163203	1	x	2	1.0030	1.0070	1.9950	2.0150	3/16
EXEW202702	1 1/4	x	1 11/16	1.2535	1.2575	1.6825	1.7025	1/8
EXEW203201	1 1/4	x	2	1.2535	1.2575	1.9950	2.0150	1/16
EXEW203202	1 1/4	x	2	1.2535	1.2575	1.9950	2.0150	1/8
EXEW244002	1 1/2	x	2 1/2	1.5040	1.5080	2.4950	2.5150	1/8
EXEW245603	1 1/2	x	3 1/2	1.5040	1.5080	3.4820	3.5320	3/16
EXEW284202	1 3/4	x	2 5/8	1.7540	1.7600	2.6210	2.6410	1/8
EXEW324802	2	x	3	2.0040	2.0100	2.9960	3.0160	1/8
EXEW324804	2	x	3	2.0040	2.0100	2.9960	3.0160	1/4

841 ECO

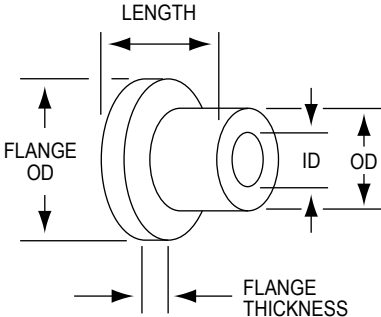
The SAE 841 range has been extended even further for the food industry with the Bunting 841 ECO range. This range of bearings gives you the benefit of being USDA H-1 approved.

Temperature range: +10°F/+220°F

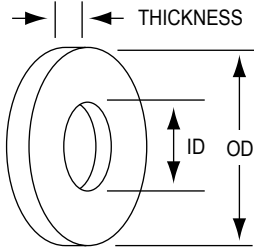
PLAIN BEARINGS



FLANGED BEARINGS



THRUST WASHERS





Powdered Metal SAE 841 Bronze ECO Sleeve (Plain) Bearings

PART NUMBER	NOMINAL SIZES			I.D. Min.	I.D. Max.	O.D. Min.	O.D. Max.	LENGTH
	I.D.		O.D.					
ECOP020304	1/8	x	3/16	0.1260	0.1270	0.1895	0.1905	1/4
ECOP020308	1/8	x	3/16	0.1260	0.1270	0.1895	0.1905	1/2
ECOP020402	1/8	x	1/4	0.1260	0.1270	0.2520	0.2530	1/8
ECOP020404	1/8	x	1/4	0.1260	0.1270	0.2520	0.2530	1/4
ECOP020406	1/8	x	1/4	0.1260	0.1270	0.2520	0.2530	3/8
ECOP020408	1/8	x	1/4	0.1260	0.1270	0.2520	0.2530	1/2
ECOP030404	3/16	x	1/4	0.1885	0.1895	0.2520	0.2530	1/4
ECOP030406	3/16	x	1/4	0.1885	0.1895	0.2520	0.2530	3/8
ECOP030408	3/16	x	1/4	0.1885	0.1895	0.2520	0.2530	1/2
ECOP030410	3/16	x	1/4	0.1885	0.1895	0.2520	0.2530	5/8
ECOP030412	3/16	x	1/4	0.1885	0.1895	0.2520	0.2530	3/4
ECOP030503	3/16	x	5/16	0.1885	0.1895	0.3145	0.3155	3/16
ECOP030504	3/16	x	5/16	0.1885	0.1895	0.3145	0.3155	1/4
ECOP030505	3/16	x	5/16	0.1885	0.1895	0.3145	0.3155	5/16
ECOP030506	3/16	x	5/16	0.1885	0.1895	0.3145	0.3155	3/8
ECOP030508	3/16	x	5/16	0.1885	0.1895	0.3145	0.3155	1/2
ECOP030510	3/16	x	5/16	0.1885	0.1895	0.3145	0.3155	5/8
ECOP030512	3/16	x	5/16	0.1885	0.1895	0.3145	0.3155	3/4
ECOP030516	3/16	x	5/16	0.1885	0.1895	0.3145	0.3155	1
ECOP030604	3/16	x	3/8	0.1885	0.1895	0.3770	0.3780	1/4
ECOP030606	3/16	x	3/8	0.1885	0.1895	0.3770	0.3780	3/8
ECOP030608	3/16	x	3/8	0.1885	0.1895	0.3770	0.3780	1/2
ECOP030610	3/16	x	3/8	0.1885	0.1895	0.3770	0.3780	5/8
ECOP030612	3/16	x	3/8	0.1885	0.1895	0.3770	0.3780	3/4
ECOP040504	1/4	x	5/16	0.2510	0.2520	0.3145	0.3155	1/4
ECOP040506	1/4	x	5/16	0.2510	0.2520	0.3145	0.3155	3/8
ECOP040508	1/4	x	5/16	0.2510	0.2520	0.3145	0.3155	1/2
ECOP040510	1/4	x	5/16	0.2510	0.2520	0.3145	0.3155	5/8
ECOP040512	1/4	x	5/16	0.2510	0.2520	0.3145	0.3155	3/4
ECOP040604	1/4	x	3/8	0.2510	0.2520	0.3770	0.3780	1/4
ECOP040605	1/4	x	3/8	0.2510	0.2520	0.3770	0.3780	5/16
ECOP040606	1/4	x	3/8	0.2510	0.2520	0.3770	0.3780	3/8
ECOP040607	1/4	x	3/8	0.2510	0.2520	0.3770	0.3780	7/16
ECOP040608	1/4	x	3/8	0.2510	0.2520	0.3770	0.3780	1/2
ECOP040610	1/4	x	3/8	0.2510	0.2520	0.3770	0.3780	5/8
ECOP040612	1/4	x	3/8	0.2510	0.2520	0.3770	0.3780	3/4
ECOP040614	1/4	x	3/8	0.2510	0.2520	0.3770	0.3780	7/8
ECOP040616	1/4	x	3/8	0.2510	0.2520	0.3770	0.3780	1
ECOP040618	1/4	x	3/8	0.2510	0.2520	0.3770	0.3780	1 1/8
ECOP040620	1/4	x	3/8	0.2510	0.2520	0.3770	0.3780	1 1/4
ECOP040706	1/4	x	7/16	0.2510	0.2520	0.4395	0.4405	3/8
ECOP040708	1/4	x	7/16	0.2510	0.2520	0.4395	0.4405	1/2
ECOP040710	1/4	x	7/16	0.2510	0.2520	0.4395	0.4405	5/8
ECOP040712	1/4	x	7/16	0.2510	0.2520	0.4395	0.4405	3/4
ECOP040714	1/4	x	7/16	0.2510	0.2520	0.4395	0.4405	7/8

Length Size Tolerance

-- to 1.495"	±0.005"
1.496" to 2.990"	±0.0075"
2.991" to 4.895"	±0.010"



Powdered Metal SAE 841 Bronze ECO Sleeve (Plain) Bearings

PART NUMBER	NOMINAL SIZES			I.D. Min.	I.D. Max.	O.D. Min.	O.D. Max.	LENGTH
	I.D.		O.D.					
ECOP040716	1/4	x	7/16	0.2510	0.2520	0.4395	0.4405	1
ECOP040805	1/4	x	1/2	0.2510	0.2520	0.5020	0.5030	5/16
ECOP040808	1/4	x	1/2	0.2510	0.2520	0.5020	0.5030	1/2
ECOP040812	1/4	x	1/2	0.2510	0.2520	0.5020	0.5030	3/4
ECOP040816	1/4	x	1/2	0.2510	0.2520	0.5020	0.5030	1
ECOP040820	1/4	x	1/2	0.2510	0.2520	0.5020	0.5030	1 1/4
ECOP050604	5/16	x	3/8	0.3135	0.3145	0.3770	0.3780	1/4
ECOP050606	5/16	x	3/8	0.3135	0.3145	0.3770	0.3780	3/8
ECOP050608	5/16	x	3/8	0.3135	0.3145	0.3770	0.3780	1/2
ECOP050610	5/16	x	3/8	0.3135	0.3145	0.3770	0.3780	5/8
ECOP050612	5/16	x	3/8	0.3135	0.3145	0.3770	0.3780	3/4
ECOP050614	5/16	x	3/8	0.3135	0.3145	0.3770	0.3780	7/8
ECOP050616	5/16	x	3/8	0.3135	0.3145	0.3770	0.3780	1
ECOP050704	5/16	x	7/16	0.3135	0.3145	0.4395	0.4405	1/4
ECOP050705	5/16	x	7/16	0.3135	0.3145	0.4395	0.4405	5/16
ECOP050706	5/16	x	7/16	0.3135	0.3145	0.4395	0.4405	3/8
ECOP050708	5/16	x	7/16	0.3135	0.3145	0.4395	0.4405	1/2
ECOP050710	5/16	x	7/16	0.3135	0.3145	0.4395	0.4405	5/8
ECOP050712	5/16	x	7/16	0.3135	0.3145	0.4395	0.4405	3/4
ECOP050714	5/16	x	7/16	0.3135	0.3145	0.4395	0.4405	7/8
ECOP050716	5/16	x	7/16	0.3135	0.3145	0.4395	0.4405	1
ECOP050718	5/16	x	7/16	0.3135	0.3145	0.4395	0.4405	1 1/8
ECOP050720	5/16	x	7/16	0.3135	0.3145	0.4395	0.4405	1 1/4
ECOP050806	5/16	x	1/2	0.3135	0.3145	0.5020	0.5030	3/8
ECOP050808	5/16	x	1/2	0.3135	0.3145	0.5020	0.5030	1/2
ECOP050810	5/16	x	1/2	0.3135	0.3145	0.5020	0.5030	5/8
ECOP050812	5/16	x	1/2	0.3135	0.3145	0.5020	0.5030	3/4
ECOP050814	5/16	x	1/2	0.3135	0.3145	0.5020	0.5030	7/8
ECOP050816	5/16	x	1/2	0.3135	0.3145	0.5020	0.5030	1
ECOP050820	5/16	x	1/2	0.3135	0.3145	0.5020	0.5030	1 1/4
ECOP050824	5/16	x	1/2	0.3135	0.3145	0.5020	0.5030	1 1/2
ECOP060708	3/8	x	7/16	0.3760	0.3770	0.4395	0.4405	1/2
ECOP060710	3/8	x	7/16	0.3760	0.3770	0.4395	0.4405	5/8
ECOP060712	3/8	x	7/16	0.3760	0.3770	0.4395	0.4405	3/4
ECOP060716	3/8	x	7/16	0.3760	0.3770	0.4395	0.4405	1
ECOP060803	3/8	x	1/2	0.3760	0.3770	0.5020	0.5030	3/16
ECOP060804	3/8	x	1/2	0.3760	0.3770	0.5020	0.5030	1/4
ECOP060805	3/8	x	1/2	0.3760	0.3770	0.5020	0.5030	5/16
ECOP060806	3/8	x	1/2	0.3760	0.3770	0.5020	0.5030	3/8
ECOP060807	3/8	x	1/2	0.3760	0.3770	0.5020	0.5030	7/16
ECOP060808	3/8	x	1/2	0.3760	0.3770	0.5020	0.5030	1/2
ECOP060810	3/8	x	1/2	0.3760	0.3770	0.5020	0.5030	5/8
ECOP060812	3/8	x	1/2	0.3760	0.3770	0.5020	0.5030	3/4
ECOP060814	3/8	x	1/2	0.3760	0.3770	0.5020	0.5030	7/8
ECOP060816	3/8	x	1/2	0.3760	0.3770	0.5020	0.5030	1

Length Size	Tolerance
-- to 1.495"	±0.005"
1.496" to 2.990"	±0.0075"
2.991" to 4.895"	±0.010"

If you require any further assistance, please call: 419-866-7000
or email: buntinginfo@buntingbearings.com



Powdered Metal SAE 841 Bronze ECO Sleeve (Plain) Bearings

PART NUMBER	NOMINAL SIZES			I.D. Min.	I.D. Max.	O.D. Min.	O.D. Max.	LENGTH
	I.D.		O.D.					
ECOP060818	3/8	x	1/2	0.3760	0.3770	0.5020	0.5030	1 1/8
ECOP060820	3/8	x	1/2	0.3760	0.3770	0.5020	0.5030	1 1/4
ECOP060906	3/8	x	9/16	0.3760	0.3770	0.5645	0.5655	3/8
ECOP060908	3/8	x	9/16	0.3760	0.3770	0.5645	0.5655	1/2
ECOP060910	3/8	x	9/16	0.3760	0.3770	0.5645	0.5655	5/8
ECOP060912	3/8	x	9/16	0.3760	0.3770	0.5645	0.5655	3/4
ECOP060914	3/8	x	9/16	0.3760	0.3770	0.5645	0.5655	7/8
ECOP060916	3/8	x	9/16	0.3760	0.3770	0.5645	0.5655	1
ECOP060920	3/8	x	9/16	0.3760	0.3770	0.5645	0.5655	1 1/4
ECOP061006	3/8	x	5/8	0.3760	0.3770	0.6270	0.6280	3/8
ECOP061008	3/8	x	5/8	0.3760	0.3770	0.6270	0.6280	1/2
ECOP061010	3/8	x	5/8	0.3760	0.3770	0.6270	0.6280	5/8
ECOP061012	3/8	x	5/8	0.3760	0.3770	0.6270	0.6280	3/4
ECOP061014	3/8	x	5/8	0.3760	0.3770	0.6270	0.6280	7/8
ECOP061016	3/8	x	5/8	0.3760	0.3770	0.6270	0.6280	1
ECOP061020	3/8	x	5/8	0.3760	0.3770	0.6270	0.6280	1 1/4
ECOP061206	3/8	x	3/4	0.3760	0.3770	0.7520	0.7530	3/8
ECOP061208	3/8	x	3/4	0.3760	0.3770	0.7520	0.7530	1/2
ECOP061212	3/8	x	3/4	0.3760	0.3770	0.7520	0.7530	3/4
ECOP061216	3/8	x	3/4	0.3760	0.3770	0.7520	0.7530	1
ECOP061220	3/8	x	3/4	0.3760	0.3770	0.7520	0.7530	1 1/4
ECOP070906	7/16	x	9/16	0.4385	0.4395	0.5645	0.5655	3/8
ECOP070908	7/16	x	9/16	0.4385	0.4395	0.5645	0.5655	1/2
ECOP070910	7/16	x	9/16	0.4385	0.4395	0.5645	0.5655	5/8
ECOP070912	7/16	x	9/16	0.4385	0.4395	0.5645	0.5655	3/4
ECOP070916	7/16	x	9/16	0.4385	0.4395	0.5645	0.5655	1
ECOP070920	7/16	x	9/16	0.4385	0.4395	0.5645	0.5655	1 1/4
ECOP071006	7/16	x	5/8	0.4385	0.4395	0.6270	0.6280	3/8
ECOP071008	7/16	x	5/8	0.4385	0.4395	0.6270	0.6280	1/2
ECOP071010	7/16	x	5/8	0.4385	0.4395	0.6270	0.6280	5/8
ECOP071012	7/16	x	5/8	0.4385	0.4395	0.6270	0.6280	3/4
ECOP071014	7/16	x	5/8	0.4385	0.4395	0.6270	0.6280	7/8
ECOP071016	7/16	x	5/8	0.4385	0.4395	0.6270	0.6280	1
ECOP071020	7/16	x	5/8	0.4385	0.4395	0.6270	0.6280	1 1/4
ECOP071024	7/16	x	5/8	0.4385	0.4395	0.6270	0.6280	1 1/2
ECOP071108	7/16	x	11/16	0.4385	0.4395	0.6895	0.6905	1/2
ECOP071116	7/16	x	11/16	0.4385	0.4395	0.6895	0.6905	1
ECOP071124	7/16	x	11/16	0.4385	0.4395	0.6895	0.6905	1 1/2
ECOP081005	1/2	x	5/8	0.5010	0.5020	0.6270	0.6280	5/16
ECOP081006	1/2	x	5/8	0.5010	0.5020	0.6270	0.6280	3/8
ECOP081007	1/2	x	5/8	0.5010	0.5020	0.6270	0.6280	7/16
ECOP081008	1/2	x	5/8	0.5010	0.5020	0.6270	0.6280	1/2
ECOP081009	1/2	x	5/8	0.5010	0.5020	0.6270	0.6280	9/16
ECOP081010	1/2	x	5/8	0.5010	0.5020	0.6270	0.6280	5/8
ECOP081011	1/2	x	5/8	0.5010	0.5020	0.6270	0.6280	11/16

Length Size	Tolerance
-- to 1.495"	±0.005"
1.496" to 2.990"	±0.0075"
2.991" to 4.895"	±0.010"



Powdered Metal SAE 841 Bronze ECO Sleeve (Plain) Bearings

PART NUMBER	NOMINAL SIZES			I.D. Min.	I.D. Max.	O.D. Min.	O.D. Max.	LENGTH
	I.D.		O.D.					
ECOP081012	1/2	x	5/8	0.5010	0.5020	0.6270	0.6280	3/4
ECOP081014	1/2	x	5/8	0.5010	0.5020	0.6270	0.6280	7/8
ECOP081016	1/2	x	5/8	0.5010	0.5020	0.6270	0.6280	1
ECOP081018	1/2	x	5/8	0.5010	0.5020	0.6270	0.6280	1 1/8
ECOP081020	1/2	x	5/8	0.5010	0.5020	0.6270	0.6280	1 1/4
ECOP081024	1/2	x	5/8	0.5010	0.5020	0.6270	0.6280	1 1/2
ECOP081106	1/2	x	11/16	0.5010	0.5020	0.6895	0.6905	3/8
ECOP081108	1/2	x	11/16	0.5010	0.5020	0.6895	0.6905	1/2
ECOP081110	1/2	x	11/16	0.5010	0.5020	0.6895	0.6905	5/8
ECOP081112	1/2	x	11/16	0.5010	0.5020	0.6895	0.6905	3/4
ECOP081114	1/2	x	11/16	0.5010	0.5020	0.6895	0.6905	7/8
ECOP081116	1/2	x	11/16	0.5010	0.5020	0.6895	0.6905	1
ECOP081118	1/2	x	11/16	0.5010	0.5020	0.6895	0.6905	1 1/8
ECOP081120	1/2	x	11/16	0.5010	0.5020	0.6895	0.6905	1 1/4
ECOP081124	1/2	x	11/16	0.5010	0.5020	0.6895	0.6905	1 1/2
ECOP081206	1/2	x	3/4	0.5010	0.5020	0.7520	0.7530	3/8
ECOP081208	1/2	x	3/4	0.5010	0.5020	0.7520	0.7530	1/2
ECOP081210	1/2	x	3/4	0.5010	0.5020	0.7520	0.7530	5/8
ECOP081212	1/2	x	3/4	0.5010	0.5020	0.7520	0.7530	3/4
ECOP081214	1/2	x	3/4	0.5010	0.5020	0.7520	0.7530	7/8
ECOP081216	1/2	x	3/4	0.5010	0.5020	0.7520	0.7530	1
ECOP081218	1/2	x	3/4	0.5010	0.5020	0.7520	0.7530	1 1/8
ECOP081220	1/2	x	3/4	0.5010	0.5020	0.7520	0.7530	1 1/4
ECOP081224	1/2	x	3/4	0.5010	0.5020	0.7520	0.7530	1 1/2
ECOP081228	1/2	x	3/4	0.5010	0.5020	0.7520	0.7530	1 3/4
ECOP081232	1/2	x	3/4	0.5010	0.5020	0.7520	0.7530	2
ECOP081308	1/2	x	13/16	0.5010	0.5020	0.8155	0.8165	1/2
ECOP081312	1/2	x	13/16	0.5010	0.5020	0.8155	0.8165	3/4
ECOP081316	1/2	x	13/16	0.5010	0.5020	0.8155	0.8165	1
ECOP081324	1/2	x	13/16	0.5010	0.5020	0.8155	0.8165	1 1/2
ECOP081408	1/2	x	7/8	0.5010	0.5020	0.8780	0.8790	1/2
ECOP081410	1/2	x	7/8	0.5010	0.5020	0.8780	0.8790	5/8
ECOP081412	1/2	x	7/8	0.5010	0.5020	0.8780	0.8790	3/4
ECOP081414	1/2	x	7/8	0.5010	0.5020	0.8780	0.8790	7/8
ECOP081416	1/2	x	7/8	0.5010	0.5020	0.8780	0.8790	1
ECOP081420	1/2	x	7/8	0.5010	0.5020	0.8780	0.8790	1 1/4
ECOP081424	1/2	x	7/8	0.5010	0.5020	0.8780	0.8790	1 1/2
ECOP081612	1/2	x	1	0.5010	0.5020	1.0030	1.0040	3/4
ECOP081616	1/2	x	1	0.5010	0.5020	1.0030	1.0040	1
ECOP081624	1/2	x	1	0.5010	0.5020	1.0030	1.0040	1 1/2
ECOP081632	1/2	x	1	0.5010	0.5020	1.0030	1.0040	2
ECOP091108	9/16	x	11/16	0.5635	0.5645	0.6895	0.6905	1/2
ECOP091110*	9/16	x	11/16	0.5635	0.5645	0.6895	0.6905	5/8
ECOP091112	9/16	x	11/16	0.5635	0.5645	0.6895	0.6905	3/4
ECOP091116	9/16	x	11/16	0.5635	0.5645	0.6895	0.6905	1

*When current inventory is depleted, these sizes will be supplied on special order basis only. Minimum order quantities may apply.

Length Size	Tolerance
-- to 1.495"	±0.005"
1.496" to 2.990"	±0.0075"
2.991" to 4.895"	±0.010"

If you require any further assistance, please call: 419-866-7000
or email: buntinginfo@buntingbearings.com



Powdered Metal SAE 841 Bronze ECO Sleeve (Plain) Bearings

PART NUMBER	NOMINAL SIZES			I.D. Min.	I.D. Max.	O.D. Min.	O.D. Max.	LENGTH
	I.D.		O.D.					
ECOP091120	9/16	x	11/16	0.5635	0.5645	0.6895	0.6905	1 1/4
ECOP091124	9/16	x	11/16	0.5635	0.5645	0.6895	0.6905	1 1/2
ECOP091208	9/16	x	3/4	0.5635	0.5645	0.7520	0.7530	1/2
ECOP091212	9/16	x	3/4	0.5635	0.5645	0.7520	0.7530	3/4
ECOP091216	9/16	x	3/4	0.5635	0.5645	0.7520	0.7530	1
ECOP091220	9/16	x	3/4	0.5635	0.5645	0.7520	0.7530	1 1/4
ECOP091224	9/16	x	3/4	0.5635	0.5645	0.7520	0.7530	1 1/2
ECOP091308	9/16	x	13/16	0.5635	0.5645	0.8155	0.8165	1/2
ECOP091312	9/16	x	13/16	0.5635	0.5645	0.8155	0.8165	3/4
ECOP091316	9/16	x	13/16	0.5635	0.5645	0.8155	0.8165	1
ECOP091320	9/16	x	13/16	0.5635	0.5645	0.8155	0.8165	1 1/4
ECOP091324	9/16	x	13/16	0.5635	0.5645	0.8155	0.8165	1 1/2
ECOP101206	5/8	x	3/4	0.6260	0.6270	0.7520	0.7530	3/8
ECOP101208	5/8	x	3/4	0.6260	0.6270	0.7520	0.7530	1/2
ECOP101210	5/8	x	3/4	0.6260	0.6270	0.7520	0.7530	5/8
ECOP101212	5/8	x	3/4	0.6260	0.6270	0.7520	0.7530	3/4
ECOP101214	5/8	x	3/4	0.6260	0.6270	0.7520	0.7530	7/8
ECOP101216	5/8	x	3/4	0.6260	0.6270	0.7520	0.7530	1
ECOP101218	5/8	x	3/4	0.6260	0.6270	0.7520	0.7530	1 1/8
ECOP101220	5/8	x	3/4	0.6260	0.6270	0.7520	0.7530	1 1/4
ECOP101224	5/8	x	3/4	0.6260	0.6270	0.7520	0.7530	1 1/2
ECOP101308	5/8	x	13/16	0.6260	0.6270	0.8155	0.8165	1/2
ECOP101310	5/8	x	13/16	0.6260	0.6270	0.8155	0.8165	5/8
ECOP101312	5/8	x	13/16	0.6260	0.6270	0.8155	0.8165	3/4
ECOP101314	5/8	x	13/16	0.6260	0.6270	0.8155	0.8165	7/8
ECOP101316	5/8	x	13/16	0.6260	0.6270	0.8155	0.8165	1
ECOP101320	5/8	x	13/16	0.6260	0.6270	0.8155	0.8165	1 1/4
ECOP101324	5/8	x	13/16	0.6260	0.6270	0.8155	0.8165	1 1/2
ECOP101328	5/8	x	13/16	0.6260	0.6270	0.8155	0.8165	1 3/4
ECOP101408	5/8	x	7/8	0.6260	0.6270	0.8780	0.8790	1/2
ECOP101410	5/8	x	7/8	0.6260	0.6270	0.8780	0.8790	5/8
ECOP101412	5/8	x	7/8	0.6260	0.6270	0.8780	0.8790	3/4
ECOP101414	5/8	x	7/8	0.6260	0.6270	0.8780	0.8790	7/8
ECOP101416	5/8	x	7/8	0.6260	0.6270	0.8780	0.8790	1
ECOP101418	5/8	x	7/8	0.6260	0.6270	0.8780	0.8790	1 1/8
ECOP101420	5/8	x	7/8	0.6260	0.6270	0.8780	0.8790	1 1/4
ECOP101424	5/8	x	7/8	0.6260	0.6270	0.8780	0.8790	1 1/2
ECOP101428	5/8	x	7/8	0.6260	0.6270	0.8780	0.8790	1 3/4
ECOP101432	5/8	x	7/8	0.6260	0.6270	0.8780	0.8790	2
ECOP101510*	5/8	x	15/16	0.6260	0.6270	0.9405	0.9415	5/8
ECOP101512	5/8	x	15/16	0.6260	0.6270	0.9405	0.9415	3/4
ECOP101516	5/8	x	15/16	0.6260	0.6270	0.9405	0.9415	1
ECOP101608	5/8	x	1	0.6260	0.6270	1.0030	1.0040	1/2
ECOP101610	5/8	x	1	0.6260	0.6270	1.0030	1.0040	5/8
ECOP101612	5/8	x	1	0.6260	0.6270	1.0030	1.0040	3/4

*When current inventory is depleted, these sizes will be supplied on special order basis only. Minimum order quantities may apply.

Length Size	Tolerance
-- to 1.495"	±0.005"
1.496" to 2.990"	±0.0075"
2.991" to 4.895"	±0.010"



Powdered Metal SAE 841 Bronze ECO Sleeve (Plain) Bearings

PART NUMBER	NOMINAL SIZES			I.D. Min.	I.D. Max.	O.D. Min.	O.D. Max.	LENGTH
	I.D.		O.D.					
ECOP101616	5/8	x	1	0.6260	0.6270	1.0030	1.0040	1
ECOP101620	5/8	x	1	0.6260	0.6270	1.0030	1.0040	1 1/4
ECOP101624	5/8	x	1	0.6260	0.6270	1.0030	1.0040	1 1/2
ECOP101628	5/8	x	1	0.6260	0.6270	1.0030	1.0040	1 3/4
ECOP101632	5/8	x	1	0.6260	0.6270	1.0030	1.0040	2
ECOP111412	11/16	x	7/8	0.6885	0.6895	0.8780	0.8790	3/4
ECOP111416	11/16	x	7/8	0.6885	0.6895	0.8780	0.8790	1
ECOP111420	11/16	x	7/8	0.6885	0.6895	0.8780	0.8790	1 1/4
ECOP111424	11/16	x	7/8	0.6885	0.6895	0.8780	0.8790	1 1/2
ECOP111428*	11/16	x	7/8	0.6885	0.6895	0.8780	0.8790	1 3/4
ECOP111432	11/16	x	7/8	0.6885	0.6895	0.8780	0.8790	2
ECOP121408	3/4	x	7/8	0.7510	0.7520	0.8780	0.8790	1/2
ECOP121409*	3/4	x	7/8	0.7510	0.7520	0.8780	0.8790	9/16
ECOP121410	3/4	x	7/8	0.7510	0.7520	0.8780	0.8790	5/8
ECOP121411	3/4	x	7/8	0.7510	0.7520	0.8780	0.8790	11/16
ECOP121412	3/4	x	7/8	0.7510	0.7520	0.8780	0.8790	3/4
ECOP121414	3/4	x	7/8	0.7510	0.7520	0.8780	0.8790	7/8
ECOP121416	3/4	x	7/8	0.7510	0.7520	0.8780	0.8790	1
ECOP121418	3/4	x	7/8	0.7510	0.7520	0.8780	0.8790	1 1/8
ECOP121420	3/4	x	7/8	0.7510	0.7520	0.8780	0.8790	1 1/4
ECOP121424	3/4	x	7/8	0.7510	0.7520	0.8780	0.8790	1 1/2
ECOP121426	3/4	x	7/8	0.7510	0.7520	0.8780	0.8790	1 5/8
ECOP121508	3/4	x	15/16	0.7510	0.7520	0.9405	0.9415	1/2
ECOP121510	3/4	x	15/16	0.7510	0.7520	0.9405	0.9415	5/8
ECOP121512	3/4	x	15/16	0.7510	0.7520	0.9405	0.9415	3/4
ECOP121514	3/4	x	15/16	0.7510	0.7520	0.9405	0.9415	7/8
ECOP121516	3/4	x	15/16	0.7510	0.7520	0.9405	0.9415	1
ECOP121518	3/4	x	15/16	0.7510	0.7520	0.9405	0.9415	1 1/8
ECOP121520	3/4	x	15/16	0.7510	0.7520	0.9405	0.9415	1 1/4
ECOP121524	3/4	x	15/16	0.7510	0.7520	0.9405	0.9415	1 1/2
ECOP121528	3/4	x	15/16	0.7510	0.7520	0.9405	0.9415	1 3/4
ECOP121532	3/4	x	15/16	0.7510	0.7520	0.9405	0.9415	2
ECOP121608	3/4	x	1	0.7510	0.7520	1.0030	1.0040	1/2
ECOP121610	3/4	x	1	0.7510	0.7520	1.0030	1.0040	5/8
ECOP121612	3/4	x	1	0.7510	0.7520	1.0030	1.0040	3/4
ECOP121614	3/4	x	1	0.7510	0.7520	1.0030	1.0040	7/8
ECOP121616	3/4	x	1	0.7510	0.7520	1.0030	1.0040	1
ECOP121618	3/4	x	1	0.7510	0.7520	1.0030	1.0040	1 1/8
ECOP121620	3/4	x	1	0.7510	0.7520	1.0030	1.0040	1 1/4
ECOP121624	3/4	x	1	0.7510	0.7520	1.0030	1.0040	1 1/2
ECOP121628	3/4	x	1	0.7510	0.7520	1.0030	1.0040	1 3/4
ECOP121632	3/4	x	1	0.7510	0.7520	1.0030	1.0040	2
ECOP121640	3/4	x	1	0.7510	0.7520	1.0030	1.0040	2 1/2
ECOP121808	3/4	x	1 1/8	0.7510	0.7520	1.1280	1.1290	1/2
ECOP121812	3/4	x	1 1/8	0.7510	0.7520	1.1280	1.1290	3/4

*When current inventory is depleted, these sizes will be supplied on special order basis only. Minimum order quantities may apply.

Length Size	Tolerance
-- to 1.495"	±0.005"
1.496" to 2.990"	±0.0075"
2.991" to 4.895"	±0.010"

If you require any further assistance, please call: 419-866-7000
or email: buntinginfo@buntingbearings.com



Powdered Metal SAE 841 Bronze ECO Sleeve (Plain) Bearings

PART NUMBER	NOMINAL SIZES			I.D. Min.	I.D. Max.	O.D. Min.	O.D. Max.	LENGTH
	I.D.		O.D.					
ECOP121816	3/4	x	1 1/8	0.7510	0.7520	1.1280	1.1290	1
ECOP121820	3/4	x	1 1/8	0.7510	0.7520	1.1280	1.1290	1 1/4
ECOP121824	3/4	x	1 1/8	0.7510	0.7520	1.1280	1.1290	1 1/2
ECOP121828	3/4	x	1 1/8	0.7510	0.7520	1.1280	1.1290	1 3/4
ECOP121832	3/4	x	1 1/8	0.7510	0.7520	1.1280	1.1290	2
ECOP122012	3/4	x	1 1/4	0.7510	0.7520	1.2530	1.2540	3/4
ECOP122016	3/4	x	1 1/4	0.7510	0.7520	1.2530	1.2540	1
ECOP122020	3/4	x	1 1/4	0.7510	0.7520	1.2530	1.2540	1 1/4
ECOP122024	3/4	x	1 1/4	0.7510	0.7520	1.2530	1.2540	1 1/2
ECOP141606	7/8	x	1	0.8760	0.8770	1.0030	1.0040	3/8
ECOP141608	7/8	x	1	0.8760	0.8770	1.0030	1.0040	1/2
ECOP141610	7/8	x	1	0.8760	0.8770	1.0030	1.0040	5/8
ECOP141612	7/8	x	1	0.8760	0.8770	1.0030	1.0040	3/4
ECOP141614	7/8	x	1	0.8760	0.8770	1.0030	1.0040	7/8
ECOP141616	7/8	x	1	0.8760	0.8770	1.0030	1.0040	1
ECOP141620	7/8	x	1	0.8760	0.8770	1.0030	1.0040	1 1/4
ECOP141624	7/8	x	1	0.8760	0.8770	1.0030	1.0040	1 1/2
ECOP141628	7/8	x	1	0.8760	0.8770	1.0030	1.0040	1 3/4
ECOP141716	7/8	x	1 1/16	0.8760	0.8770	1.0655	1.0665	1
ECOP141720	7/8	x	1 1/16	0.8760	0.8770	1.0655	1.0665	1 1/4
ECOP141812	7/8	x	1 1/8	0.8760	0.8770	1.1280	1.1290	3/4
ECOP141814	7/8	x	1 1/8	0.8760	0.8770	1.1280	1.1290	7/8
ECOP141816	7/8	x	1 1/8	0.8760	0.8770	1.1280	1.1290	1
ECOP141818	7/8	x	1 1/8	0.8760	0.8770	1.1280	1.1290	1 1/8
ECOP141820	7/8	x	1 1/8	0.8760	0.8770	1.1280	1.1290	1 1/4
ECOP141822	7/8	x	1 1/8	0.8760	0.8770	1.1280	1.1290	1 3/8
ECOP141824	7/8	x	1 1/8	0.8760	0.8770	1.1280	1.1290	1 1/2
ECOP141828	7/8	x	1 1/8	0.8760	0.8770	1.1280	1.1290	1 3/4
ECOP141832	7/8	x	1 1/8	0.8760	0.8770	1.1280	1.1290	2
ECOP141836	7/8	x	1 1/8	0.8760	0.8770	1.1280	1.1290	2 1/4
ECOP141840	7/8	x	1 1/8	0.8760	0.8770	1.1280	1.1290	2 1/2
ECOP142012	7/8	x	1 1/4	0.8760	0.8770	1.2530	1.2540	3/4
ECOP142016	7/8	x	1 1/4	0.8760	0.8770	1.2530	1.2540	1
ECOP142020	7/8	x	1 1/4	0.8760	0.8770	1.2530	1.2540	1 1/4
ECOP142024	7/8	x	1 1/4	0.8760	0.8770	1.2530	1.2540	1 1/2
ECOP142032	7/8	x	1 1/4	0.8760	0.8770	1.2530	1.2540	2
ECOP151912	15/16	x	1 3/16	0.9385	0.9395	1.1905	1.1915	3/4
ECOP151916	15/16	x	1 3/16	0.9385	0.9395	1.1905	1.1915	1
ECOP151920	15/16	x	1 3/16	0.9385	0.9395	1.1905	1.1915	1 1/4
ECOP151924	15/16	x	1 3/16	0.9385	0.9395	1.1905	1.1915	1 1/2
ECOP151932	15/16	x	1 3/16	0.9385	0.9395	1.1905	1.1915	2
ECOP152012	15/16	x	1 1/4	0.9385	0.9395	1.2530	1.2540	3/4
ECOP152016	15/16	x	1 1/4	0.9385	0.9395	1.2530	1.2540	1
ECOP152020	15/16	x	1 1/4	0.9385	0.9395	1.2530	1.2540	1 1/4
ECOP152024	15/16	x	1 1/4	0.9385	0.9395	1.2530	1.2540	1 1/2

Length Size	Tolerance
-- to 1.495"	±0.005"
1.496" to 2.990"	±0.0075"
2.991" to 4.895"	±0.010"



Powdered Metal SAE 841 Bronze ECO Sleeve (Plain) Bearings

PART NUMBER	NOMINAL SIZES			I.D. Min.	I.D. Max.	O.D. Min.	O.D. Max.	LENGTH
	I.D.		O.D.					
ECOP152028	15/16	x	1 1/4	0.9385	0.9395	1.2530	1.2540	1 3/4
ECOP152032	15/16	x	1 1/4	0.9385	0.9395	1.2530	1.2540	2
ECOP161812	1	x	1 1/8	1.0020	1.0030	1.1280	1.1290	3/4
ECOP161814	1	x	1 1/8	1.0020	1.0030	1.1280	1.1290	7/8
ECOP161816	1	x	1 1/8	1.0020	1.0030	1.1280	1.1290	1
ECOP161820	1	x	1 1/8	1.0020	1.0030	1.1280	1.1290	1 1/4
ECOP161824	1	x	1 1/8	1.0020	1.0030	1.1280	1.1290	1 1/2
ECOP161828	1	x	1 1/8	1.0020	1.0030	1.1280	1.1290	1 3/4
ECOP161832	1	x	1 1/8	1.0020	1.0030	1.1280	1.1290	2
ECOP161912	1	x	1 3/16	1.0020	1.0030	1.1905	1.1915	3/4
ECOP161916	1	x	1 3/16	1.0020	1.0030	1.1905	1.1915	1
ECOP161920	1	x	1 3/16	1.0020	1.0030	1.1905	1.1915	1 1/4
ECOP161924	1	x	1 3/16	1.0020	1.0030	1.1905	1.1915	1 1/2
ECOP161928	1	x	1 3/16	1.0020	1.0030	1.1905	1.1915	1 3/4
ECOP161932	1	x	1 3/16	1.0020	1.0030	1.1905	1.1915	2
ECOP162008	1	x	1 1/4	1.0020	1.0030	1.2530	1.2540	1/2
ECOP162012	1	x	1 1/4	1.0020	1.0030	1.2530	1.2540	3/4
ECOP162014	1	x	1 1/4	1.0020	1.0030	1.2530	1.2540	7/8
ECOP162016	1	x	1 1/4	1.0020	1.0030	1.2530	1.2540	1
ECOP162020	1	x	1 1/4	1.0020	1.0030	1.2530	1.2540	1 1/4
ECOP162022	1	x	1 1/4	1.0020	1.0030	1.2530	1.2540	1 3/8
ECOP162024	1	x	1 1/4	1.0020	1.0030	1.2530	1.2540	1 1/2
ECOP162028	1	x	1 1/4	1.0020	1.0030	1.2530	1.2540	1 3/4
ECOP162032	1	x	1 1/4	1.0020	1.0030	1.2530	1.2540	2
ECOP162036	1	x	1 1/4	1.0020	1.0030	1.2530	1.2540	2 1/4
ECOP162040	1	x	1 1/4	1.0020	1.0030	1.2530	1.2540	2 1/2
ECOP162048	1	x	1 1/4	1.0020	1.0030	1.2530	1.2540	3
ECOP162116	1	x	1 5/16	1.0020	1.0030	1.3155	1.3165	1
ECOP162120	1	x	1 5/16	1.0020	1.0030	1.3155	1.3165	1 1/4
ECOP162124	1	x	1 5/16	1.0020	1.0030	1.3155	1.3165	1 1/2
ECOP162128	1	x	1 5/16	1.0020	1.0030	1.3155	1.3165	1 3/4
ECOP162132	1	x	1 5/16	1.0020	1.0030	1.3155	1.3165	2
ECOP162140	1	x	1 5/16	1.0020	1.0030	1.3155	1.3165	2 1/2
ECOP162148	1	x	1 5/16	1.0020	1.0030	1.3155	1.3165	3
ECOP162216	1	x	1 3/8	1.0020	1.0030	1.3780	1.3790	1
ECOP162220	1	x	1 3/8	1.0020	1.0030	1.3780	1.3790	1 1/4
ECOP162224	1	x	1 3/8	1.0020	1.0030	1.3780	1.3790	1 1/2
ECOP162228	1	x	1 3/8	1.0020	1.0030	1.3780	1.3790	1 3/4
ECOP162232	1	x	1 3/8	1.0020	1.0030	1.3780	1.3790	2
ECOP162240	1	x	1 3/8	1.0020	1.0030	1.3780	1.3790	2 1/2
ECOP162416	1	x	1 1/2	1.0020	1.0030	1.5030	1.5040	1
ECOP162420	1	x	1 1/2	1.0020	1.0030	1.5030	1.5040	1 1/4
ECOP162424	1	x	1 1/2	1.0020	1.0030	1.5030	1.5040	1 1/2
ECOP162428	1	x	1 1/2	1.0020	1.0030	1.5030	1.5040	1 3/4
ECOP162432	1	x	1 1/2	1.0020	1.0030	1.5030	1.5040	2

Length Size	Tolerance
-- to 1.495"	±0.005"
1.496" to 2.990"	±0.0075"
2.991" to 4.895"	±0.010"

If you require any further assistance, please call: 419-866-7000
or email: buntinginfo@buntingbearings.com



Powdered Metal SAE 841 Bronze ECO Sleeve (Plain) Bearings

PART NUMBER	NOMINAL SIZES		I.D. Min.	I.D. Max.	O.D. Min.	O.D. Max.	LENGTH
	I.D.	O.D.					
ECOP162440	1	x 1 1/2	1.0020	1.0030	1.5030	1.5040	2 1/2
ECOP162448	1	x 1 1/2	1.0020	1.0030	1.5030	1.5040	3
ECOP182016	1 1/8	x 1 1/4	1.1270	1.1280	1.2530	1.2540	1
ECOP182020	1 1/8	x 1 1/4	1.1270	1.1280	1.2530	1.2540	1 1/4
ECOP182024	1 1/8	x 1 1/4	1.1270	1.1280	1.2530	1.2540	1 1/2
ECOP182116	1 1/8	x 1 5/16	1.1270	1.1280	1.3155	1.3165	1
ECOP182120	1 1/8	x 1 5/16	1.1270	1.1280	1.3155	1.3165	1 1/4
ECOP182124	1 1/8	x 1 5/16	1.1270	1.1280	1.3155	1.3165	1 1/2
ECOP182128	1 1/8	x 1 5/16	1.1270	1.1280	1.3155	1.3165	1 3/4
ECOP182132	1 1/8	x 1 5/16	1.1270	1.1280	1.3155	1.3165	2
ECOP182208	1 1/8	x 1 3/8	1.1270	1.1280	1.3780	1.3790	1/2
ECOP182212	1 1/8	x 1 3/8	1.1270	1.1280	1.3780	1.3790	3/4
ECOP182216	1 1/8	x 1 3/8	1.1270	1.1280	1.3780	1.3790	1
ECOP182220	1 1/8	x 1 3/8	1.1270	1.1280	1.3780	1.3790	1 1/4
ECOP182224	1 1/8	x 1 3/8	1.1270	1.1280	1.3780	1.3790	1 1/2
ECOP182228	1 1/8	x 1 3/8	1.1270	1.1280	1.3780	1.3790	1 3/4
ECOP182232	1 1/8	x 1 3/8	1.1270	1.1280	1.3780	1.3790	2
ECOP182240	1 1/8	x 1 3/8	1.1270	1.1280	1.3780	1.3790	2 1/2
ECOP182248	1 1/8	x 1 3/8	1.1270	1.1280	1.3780	1.3790	3
ECOP182416	1 1/8	x 1 1/2	1.1270	1.1280	1.5030	1.5040	1
ECOP182420	1 1/8	x 1 1/2	1.1270	1.1280	1.5030	1.5040	1 1/4
ECOP182424	1 1/8	x 1 1/2	1.1270	1.1280	1.5030	1.5040	1 1/2
ECOP182428	1 1/8	x 1 1/2	1.1270	1.1280	1.5030	1.5040	1 3/4
ECOP182432	1 1/8	x 1 1/2	1.1270	1.1280	1.5030	1.5040	2
ECOP182440	1 1/8	x 1 1/2	1.1270	1.1280	1.5030	1.5040	2 1/2
ECOP192320	1 3/16	x 1 7/16	1.1895	1.1905	1.4405	1.4415	1 1/4
ECOP192324	1 3/16	x 1 7/16	1.1895	1.1905	1.4405	1.4415	1 1/2
ECOP192332	1 3/16	x 1 7/16	1.1895	1.1905	1.4405	1.4415	2
ECOP192340	1 3/16	x 1 7/16	1.1895	1.1905	1.4405	1.4415	2 1/2
ECOP192348	1 3/16	x 1 7/16	1.1895	1.1905	1.4405	1.4415	3
ECOP192416	1 3/16	x 1 1/2	1.1895	1.1905	1.5030	1.5040	1
ECOP192420	1 3/16	x 1 1/2	1.1895	1.1905	1.5030	1.5040	1 1/4
ECOP192424	1 3/16	x 1 1/2	1.1895	1.1905	1.5030	1.5040	1 1/2
ECOP192428	1 3/16	x 1 1/2	1.1895	1.1905	1.5030	1.5040	1 3/4
ECOP192432	1 3/16	x 1 1/2	1.1895	1.1905	1.5030	1.5040	2
ECOP192440	1 3/16	x 1 1/2	1.1895	1.1905	1.5030	1.5040	2 1/2
ECOP192448	1 3/16	x 1 1/2	1.1895	1.1905	1.5030	1.5040	3
ECOP202408	1 1/4	x 1 1/2	1.2525	1.2535	1.5030	1.5040	1/2
ECOP202410	1 1/4	x 1 1/2	1.2525	1.2535	1.5030	1.5040	5/8
ECOP202412	1 1/4	x 1 1/2	1.2525	1.2535	1.5030	1.5040	3/4
ECOP202414	1 1/4	x 1 1/2	1.2525	1.2535	1.5030	1.5040	7/8
ECOP202416	1 1/4	x 1 1/2	1.2525	1.2535	1.5030	1.5040	1
ECOP202418	1 1/4	x 1 1/2	1.2525	1.2535	1.5030	1.5040	1 1/8
ECOP202420	1 1/4	x 1 1/2	1.2525	1.2535	1.5030	1.5040	1 1/4
ECOP202422	1 1/4	x 1 1/2	1.2525	1.2535	1.5030	1.5040	1 3/8

Length Size	Tolerance
-- to 1.495"	±0.005"
1.496" to 2.990"	±0.0075"
2.991" to 4.895"	±0.010"



Powdered Metal SAE 841 Bronze ECO Sleeve (Plain) Bearings

PART NUMBER	NOMINAL SIZES			I.D. Min.	I.D. Max.	O.D. Min.	O.D. Max.	LENGTH
	I.D.		O.D.					
ECOP202424	1 1/4	x	1 1/2	1.2525	1.2535	1.5030	1.5040	1 1/2
ECOP202426	1 1/4	x	1 1/2	1.2525	1.2535	1.5030	1.5040	1 5/8
ECOP202428	1 1/4	x	1 1/2	1.2525	1.2535	1.5030	1.5040	1 3/4
ECOP202430	1 1/4	x	1 1/2	1.2525	1.2535	1.5030	1.5040	1 7/8
ECOP202432	1 1/4	x	1 1/2	1.2525	1.2535	1.5030	1.5040	2
ECOP202436	1 1/4	x	1 1/2	1.2525	1.2535	1.5030	1.5040	2 1/4
ECOP202440	1 1/4	x	1 1/2	1.2525	1.2535	1.5030	1.5040	2 1/2
ECOP202448	1 1/4	x	1 1/2	1.2525	1.2535	1.5030	1.5040	3
ECOP202616	1 1/4	x	1 5/8	1.2525	1.2535	1.6285	1.6300	1
ECOP202620	1 1/4	x	1 5/8	1.2525	1.2535	1.6285	1.6300	1 1/4
ECOP202624	1 1/4	x	1 5/8	1.2525	1.2535	1.6285	1.6300	1 1/2
ECOP202628	1 1/4	x	1 5/8	1.2525	1.2535	1.6285	1.6300	1 3/4
ECOP202632	1 1/4	x	1 5/8	1.2525	1.2535	1.6285	1.6300	2
ECOP202640	1 1/4	x	1 5/8	1.2525	1.2535	1.6285	1.6300	2 1/2
ECOP202648	1 1/4	x	1 5/8	1.2525	1.2535	1.6285	1.6300	3
ECOP202828	1 1/4	x	1 3/4	1.2525	1.2535	1.7535	1.7550	1 3/4
ECOP202832	1 1/4	x	1 3/4	1.2525	1.2535	1.7535	1.7550	2
ECOP202840	1 1/4	x	1 3/4	1.2525	1.2535	1.7535	1.7550	2 1/2
ECOP202848	1 1/4	x	1 3/4	1.2525	1.2535	1.7535	1.7550	3
ECOP212620	1 5/16	x	1 5/8	1.3150	1.3160	1.6285	1.6300	1 1/4
ECOP212624	1 5/16	x	1 5/8	1.3150	1.3160	1.6285	1.6300	1 1/2
ECOP212632	1 5/16	x	1 5/8	1.3150	1.3160	1.6285	1.6300	2
ECOP212640*	1 5/16	x	1 5/8	1.3150	1.3160	1.6285	1.6300	2 1/2
ECOP212648	1 5/16	x	1 5/8	1.3150	1.3160	1.6285	1.6300	3
ECOP222616	1 3/8	x	1 5/8	1.3775	1.3785	1.6285	1.6300	1
ECOP222618	1 3/8	x	1 5/8	1.3775	1.3785	1.6285	1.6300	1 1/8
ECOP222620	1 3/8	x	1 5/8	1.3775	1.3785	1.6285	1.6300	1 1/4
ECOP222624	1 3/8	x	1 5/8	1.3775	1.3785	1.6285	1.6300	1 1/2
ECOP222632	1 3/8	x	1 5/8	1.3775	1.3785	1.6285	1.6300	2
ECOP222640	1 3/8	x	1 5/8	1.3775	1.3785	1.6285	1.6300	2 1/2
ECOP222648	1 3/8	x	1 5/8	1.3775	1.3785	1.6285	1.6300	3
ECOP222816	1 3/8	x	1 3/4	1.3775	1.3785	1.7535	1.7550	1
ECOP222824	1 3/8	x	1 3/4	1.3775	1.3785	1.7535	1.7550	1 1/2
ECOP222832	1 3/8	x	1 3/4	1.3775	1.3785	1.7535	1.7550	2
ECOP222840	1 3/8	x	1 3/4	1.3775	1.3785	1.7535	1.7550	2 1/2
ECOP222848	1 3/8	x	1 3/4	1.3775	1.3785	1.7535	1.7550	3
ECOP232616	1 7/16	x	1 5/8	1.4400	1.4410	1.6285	1.6300	1
ECOP232624	1 7/16	x	1 5/8	1.4400	1.4410	1.6285	1.6300	1 1/2
ECOP232632	1 7/16	x	1 5/8	1.4400	1.4410	1.6285	1.6300	2
ECOP232816	1 7/16	x	1 3/4	1.4400	1.4410	1.7535	1.7550	1
ECOP232820	1 7/16	x	1 3/4	1.4400	1.4410	1.7535	1.7550	1 1/4
ECOP232824	1 7/16	x	1 3/4	1.4400	1.4410	1.7535	1.7550	1 1/2
ECOP232828	1 7/16	x	1 3/4	1.4400	1.4410	1.7535	1.7550	1 3/4
ECOP232832	1 7/16	x	1 3/4	1.4400	1.4410	1.7535	1.7550	2
ECOP232840	1 7/16	x	1 3/4	1.4400	1.4410	1.7535	1.7550	2 1/2

*When current inventory is depleted, these sizes will be supplied on special order basis only. Minimum order quantities may apply.

Length Size	Tolerance
-- to 1.495"	±0.005"
1.496" to 2.990"	±0.0075"
2.991" to 4.895"	±0.010"

If you require any further assistance, please call: 419-866-7000
or email: buntinginfo@buntingbearings.com



Powdered Metal SAE 841 Bronze ECO Sleeve (Plain) Bearings

PART NUMBER	NOMINAL SIZES		I.D. Min.	I.D. Max.	O.D. Min.	O.D. Max.	LENGTH
	I.D.	O.D.					
ECOP232848	1 7/16	x 1 3/4	1.4400	1.4410	1.7535	1.7550	3
ECOP242808	1 1/2	x 1 3/4	1.5030	1.5040	1.7535	1.7550	1/2
ECOP242810	1 1/2	x 1 3/4	1.5030	1.5040	1.7535	1.7550	5/8
ECOP242812	1 1/2	x 1 3/4	1.5030	1.5040	1.7535	1.7550	3/4
ECOP242814	1 1/2	x 1 3/4	1.5030	1.5040	1.7535	1.7550	7/8
ECOP242816	1 1/2	x 1 3/4	1.5030	1.5040	1.7535	1.7550	1
ECOP242820	1 1/2	x 1 3/4	1.5030	1.5040	1.7535	1.7550	1 1/4
ECOP242822	1 1/2	x 1 3/4	1.5030	1.5040	1.7535	1.7550	1 3/8
ECOP242824	1 1/2	x 1 3/4	1.5030	1.5040	1.7535	1.7550	1 1/2
ECOP242828	1 1/2	x 1 3/4	1.5030	1.5040	1.7535	1.7550	1 3/4
ECOP242832	1 1/2	x 1 3/4	1.5030	1.5040	1.7535	1.7550	2
ECOP242836	1 1/2	x 1 3/4	1.5030	1.5040	1.7535	1.7550	2 1/4
ECOP242840	1 1/2	x 1 3/4	1.5030	1.5040	1.7535	1.7550	2 1/2
ECOP242848	1 1/2	x 1 3/4	1.5030	1.5040	1.7535	1.7550	3
ECOP242916*	1 1/2	x 1 13/16	1.5030	1.5040	1.8160	1.8175	1
ECOP242924*	1 1/2	x 1 13/16	1.5030	1.5040	1.8160	1.8175	1 1/2
ECOP242926*	1 1/2	x 1 13/16	1.5030	1.5040	1.8160	1.8175	1 5/8
ECOP243024	1 1/2	x 1 7/8	1.5030	1.5040	1.8785	1.8800	1 1/2
ECOP243032	1 1/2	x 1 7/8	1.5030	1.5040	1.8785	1.8800	2
ECOP243040	1 1/2	x 1 7/8	1.5030	1.5040	1.8785	1.8800	2 1/2
ECOP243044	1 1/2	x 1 7/8	1.5030	1.5040	1.8785	1.8800	2 3/4
ECOP243048	1 1/2	x 1 7/8	1.5030	1.5040	1.8785	1.8800	3
ECOP243216	1 1/2	x 2	1.5030	1.5040	2.0035	2.0050	1
ECOP243224	1 1/2	x 2	1.5030	1.5040	2.0035	2.0050	1 1/2
ECOP243232	1 1/2	x 2	1.5030	1.5040	2.0035	2.0050	2
ECOP243240	1 1/2	x 2	1.5030	1.5040	2.0035	2.0050	2 1/2
ECOP243248	1 1/2	x 2	1.5030	1.5040	2.0035	2.0050	3
ECOP243256	1 1/2	x 2	1.5030	1.5040	2.0035	2.0050	3 1/2
ECOP263020	1 5/8	x 1 7/8	1.6275	1.6290	1.8785	1.8800	1 1/4
ECOP263024	1 5/8	x 1 7/8	1.6275	1.6290	1.8785	1.8800	1 1/2
ECOP263028*	1 5/8	x 1 7/8	1.6275	1.6290	1.8785	1.8800	1 3/4
ECOP263032	1 5/8	x 1 7/8	1.6275	1.6290	1.8785	1.8800	2
ECOP263036*	1 5/8	x 1 7/8	1.6275	1.6290	1.8785	1.8800	2 1/4
ECOP263040	1 5/8	x 1 7/8	1.6275	1.6290	1.8785	1.8800	2 1/2
ECOP263048	1 5/8	x 1 7/8	1.6275	1.6290	1.8785	1.8800	3
ECOP263216	1 5/8	x 2	1.6275	1.6290	2.0035	2.0050	1
ECOP263224	1 5/8	x 2	1.6275	1.6290	2.0035	2.0050	1 1/2
ECOP263232	1 5/8	x 2	1.6275	1.6290	2.0035	2.0050	2
ECOP263240	1 5/8	x 2	1.6275	1.6290	2.0035	2.0050	2 1/2
ECOP263248	1 5/8	x 2	1.6275	1.6290	2.0035	2.0050	3
ECOP273528*	1 11/16	x 2 3/16	1.6900	1.6915	2.1910	2.1925	1 3/4
ECOP273532	1 11/16	x 2 3/16	1.6900	1.6915	2.1910	2.1925	2
ECOP273548	1 11/16	x 2 3/16	1.6900	1.6915	2.1910	2.1925	3
ECOP273564	1 11/16	x 2 3/16	1.6900	1.6915	2.1910	2.1925	4
ECOP283216	1 3/4	x 2	1.7525	1.7540	2.0035	2.0050	1

*When current inventory is depleted, these sizes will be supplied on special order basis only. Minimum order quantities may apply.

Length Size	Tolerance
-- to 1.495"	±0.005"
1.496" to 2.990"	±0.0075"
2.991" to 4.895"	±0.010"



Powdered Metal SAE 841 Bronze ECO Sleeve (Plain) Bearings

PART NUMBER	NOMINAL SIZES			I.D. Min.	I.D. Max.	O.D. Min.	O.D. Max.	LENGTH
	I.D.		O.D.					
ECOP283220	1 3/4	x	2	1.7525	1.7540	2.0035	2.0050	1 1/4
ECOP283224	1 3/4	x	2	1.7525	1.7540	2.0035	2.0050	1 1/2
ECOP283228	1 3/4	x	2	1.7525	1.7540	2.0035	2.0050	1 3/4
ECOP283232	1 3/4	x	2	1.7525	1.7540	2.0035	2.0050	2
ECOP283240	1 3/4	x	2	1.7525	1.7540	2.0035	2.0050	2 1/2
ECOP283248	1 3/4	x	2	1.7525	1.7540	2.0035	2.0050	3
ECOP283424	1 3/4	x	2 1/8	1.7525	1.7540	2.1285	2.1300	1 1/2
ECOP283432	1 3/4	x	2 1/8	1.7525	1.7540	2.1285	2.1300	2
ECOP283448	1 3/4	x	2 1/8	1.7525	1.7540	2.1285	2.1300	3
ECOP313732	1 15/16	x	2 5/16	1.9400	1.9415	2.3160	2.3175	2
ECOP313740	1 15/16	x	2 5/16	1.9400	1.9415	2.3160	2.3175	2 1/2
ECOP313748	1 15/16	x	2 5/16	1.9400	1.9415	2.3160	2.3175	3
ECOP313764	1 15/16	x	2 5/16	1.9400	1.9415	2.3160	2.3175	4
ECOP323612	2	x	2 1/4	2.0025	2.0040	2.2535	2.2550	3/4
ECOP323616	2	x	2 1/4	2.0025	2.0040	2.2535	2.2550	1
ECOP323624	2	x	2 1/4	2.0025	2.0040	2.2535	2.2550	1 1/2
ECOP323632	2	x	2 1/4	2.0025	2.0040	2.2535	2.2550	2
ECOP323640	2	x	2 1/4	2.0025	2.0040	2.2535	2.2550	2 1/2
ECOP323648	2	x	2 1/4	2.0025	2.0040	2.2535	2.2550	3
ECOP323818	2	x	2 3/8	2.0025	2.0040	2.3785	2.3800	1 1/8
ECOP323824	2	x	2 3/8	2.0025	2.0040	2.3785	2.3800	1 1/2
ECOP323828	2	x	2 3/8	2.0025	2.0040	2.3785	2.3800	1 3/4
ECOP323832	2	x	2 3/8	2.0025	2.0040	2.3785	2.3800	2
ECOP323840	2	x	2 3/8	2.0025	2.0040	2.3785	2.3800	2 1/2
ECOP323844	2	x	2 3/8	2.0025	2.0040	2.3785	2.3800	2 3/4
ECOP323848	2	x	2 3/8	2.0025	2.0040	2.3785	2.3800	3
ECOP323856	2	x	2 3/8	2.0025	2.0040	2.3785	2.3800	3 1/2
ECOP323864	2	x	2 3/8	2.0025	2.0040	2.3785	2.3800	4
ECOP324016	2	x	2 1/2	2.0025	2.0040	2.5035	2.5050	1
ECOP324024	2	x	2 1/2	2.0025	2.0040	2.5035	2.5050	1 1/2
ECOP324032	2	x	2 1/2	2.0025	2.0040	2.5035	2.5050	2
ECOP324040	2	x	2 1/2	2.0025	2.0040	2.5035	2.5050	2 1/2
ECOP324048	2	x	2 1/2	2.0025	2.0040	2.5035	2.5050	3
ECOP324056	2	x	2 1/2	2.0025	2.0040	2.5035	2.5050	3 1/2
ECOP324064	2	x	2 1/2	2.0025	2.0040	2.5035	2.5050	4
ECOP364232	2 1/4	x	2 5/8	2.2525	2.2540	2.6290	2.6310	2
ECOP364240	2 1/4	x	2 5/8	2.2525	2.2540	2.6290	2.6310	2 1/2
ECOP364248	2 1/4	x	2 5/8	2.2525	2.2540	2.6290	2.6310	3
ECOP364432	2 1/4	x	2 3/4	2.2525	2.2540	2.7540	2.7560	2
ECOP364448	2 1/4	x	2 3/4	2.2525	2.2540	2.7540	2.7560	3
ECOP384432	2 3/8	x	2 3/4	2.3775	2.3790	2.7540	2.7560	2
ECOP384440*	2 3/8	x	2 3/4	2.3775	2.3790	2.7540	2.7560	2 1/2
ECOP384448	2 3/8	x	2 3/4	2.3775	2.3790	2.7540	2.7560	3
ECOP404432	2 1/2	x	2 3/4	2.5035	2.5050	2.7540	2.7560	2
ECOP404448	2 1/2	x	2 3/4	2.5035	2.5050	2.7540	2.7560	3

*When current inventory is depleted, these sizes will be supplied on special order basis only. Minimum order quantities may apply.

Length Size	Tolerance
-- to 1.495"	±0.005"
1.496" to 2.990"	±0.0075"
2.991" to 4.895"	±0.010"

If you require any further assistance, please call: 419-866-7000
or email: buntinginfo@buntingbearings.com



Powdered Metal SAE 841 Bronze ECO Sleeve (Plain) Bearings

PART NUMBER	NOMINAL SIZES			I.D. Min.	I.D. Max.	O.D. Min.	O.D. Max.	LENGTH
	I.D.		O.D.					
ECOP404464	2 1/2	x	2 3/4	2.5035	2.5050	2.7540	2.7560	4
ECOP404636	2 1/2	x	2 7/8	2.5035	2.5050	2.8790	2.8810	2 1/4
ECOP404640	2 1/2	x	2 7/8	2.5035	2.5050	2.8790	2.8810	2 1/2
ECOP404648	2 1/2	x	2 7/8	2.5035	2.5050	2.8790	2.8810	3
ECOP404832	2 1/2	x	3	2.5035	2.5050	3.0040	3.0060	2
ECOP404848	2 1/2	x	3	2.5035	2.5050	3.0040	3.0060	3
ECOP404864	2 1/2	x	3	2.5035	2.5050	3.0040	3.0060	4
ECOP445232	2 3/4	x	3 1/4	2.7530	2.7550	3.2540	3.2570	2
ECOP445248	2 3/4	x	3 1/4	2.7530	2.7550	3.2540	3.2570	3
ECOP445264	2 3/4	x	3 1/4	2.7530	2.7550	3.2540	3.2570	4
ECOP485232	3	x	3 1/4	3.0040	3.0060	3.2540	3.2570	2
ECOP485248	3	x	3 1/4	3.0040	3.0060	3.2540	3.2570	3
ECOP485632	3	x	3 1/2	3.0040	3.0060	3.5040	3.5070	2
ECOP485640	3	x	3 1/2	3.0040	3.0060	3.5040	3.5070	2 1/2
ECOP485648	3	x	3 1/2	3.0040	3.0060	3.5040	3.5070	3
ECOP485664	3	x	3 1/2	3.0040	3.0060	3.5040	3.5070	4
ECOP566432	3 1/2	x	4	3.5040	3.5070	4.0050	4.0080	2
ECOP566448	3 1/2	x	4	3.5040	3.5070	4.0050	4.0080	3
ECOP566456	3 1/2	x	4	3.5040	3.5070	4.0050	4.0080	3 1/2
ECOP566464	3 1/2	x	4	3.5040	3.5070	4.0050	4.0080	4
ECOP647264	4	x	4 1/2	4.0050	4.0080	4.5050	4.5090	4

Length Size	Tolerance
-- to 1.495"	±0.005"
1.496" to 2.990"	±0.0075"
2.991" to 4.895"	±0.010"



Powdered Metal SAE 841 Bronze ECO Flanged Bearings

PART NUMBER	NOMINAL SIZES		I.D. Min.	I.D. Max.	O.D. Min.	O.D. Max.	LENGTH	FLANGE O.D.	FLANGE THK.
	I.D.	O.D.							
ECOF030503	3/16	x 5/16	0.1885	0.1895	0.3145	0.3155	3/16	7/16	1/16
ECOF030504	3/16	x 5/16	0.1885	0.1895	0.3145	0.3155	1/4	7/16	1/16
ECOF030505	3/16	x 5/16	0.1885	0.1895	0.3145	0.3155	5/16	7/16	1/16
ECOF030506	3/16	x 5/16	0.1885	0.1895	0.3145	0.3155	3/8	7/16	1/16
ECOF030508	3/16	x 5/16	0.1885	0.1895	0.3145	0.3155	1/2	7/16	1/16
ECOF040603	1/4	x 3/8	0.2510	0.2520	0.3770	0.3780	3/16	1/2	1/16
ECOF040604	1/4	x 3/8	0.2510	0.2520	0.3770	0.3780	1/4	1/2	1/16
ECOF040606	1/4	x 3/8	0.2510	0.2520	0.3770	0.3780	3/8	1/2	1/16
ECOF040607	1/4	x 3/8	0.2510	0.2520	0.3770	0.3780	7/16	1/2	1/16
ECOF040608	1/4	x 3/8	0.2510	0.2520	0.3770	0.3780	1/2	1/2	1/16
ECOF040610	1/4	x 3/8	0.2510	0.2520	0.3770	0.3780	5/8	1/2	1/16
ECOF040612	1/4	x 3/8	0.2510	0.2520	0.3770	0.3780	3/4	1/2	1/16
ECOF050706	5/16	x 7/16	0.3135	0.3145	0.4395	0.4405	3/8	9/16	1/16
ECOF050708	5/16	x 7/16	0.3135	0.3145	0.4395	0.4405	1/2	9/16	1/16
ECOF050712	5/16	x 7/16	0.3135	0.3145	0.4395	0.4405	3/4	9/16	1/16
ECOF050806	5/16	x 1/2	0.3135	0.3145	0.5020	0.5030	3/8	11/16	1/16
ECOF060804	3/8	x 1/2	0.3760	0.3770	0.5020	0.5030	1/4	11/16	1/16
ECOF060806	3/8	x 1/2	0.3760	0.3770	0.5020	0.5030	3/8	11/16	1/16
ECOF060808	3/8	x 1/2	0.3760	0.3770	0.5020	0.5030	1/2	11/16	1/16
ECOF060812	3/8	x 1/2	0.3760	0.3770	0.5020	0.5030	3/4	11/16	1/16
ECOF060816	3/8	x 1/2	0.3760	0.3770	0.5020	0.5030	1	11/16	1/16
ECOF060908	3/8	x 9/16	0.3760	0.3770	0.5645	0.5655	1/2	11/16	1/16
ECOF060912	3/8	x 9/16	0.3760	0.3770	0.5645	0.5655	3/4	11/16	1/16
ECOF061008	3/8	x 5/8	0.3760	0.3770	0.6270	0.6280	1/2	7/8	1/16
ECOF061012	3/8	x 5/8	0.3760	0.3770	0.6270	0.6280	3/4	7/8	1/16
ECOF061016	3/8	x 5/8	0.3760	0.3770	0.6270	0.6280	1	7/8	1/16
ECOF061020	3/8	x 5/8	0.3760	0.3770	0.6270	0.6280	1 1/4	7/8	1/16
ECOF070908	7/16	x 9/16	0.4385	0.4395	0.5645	0.5655	1/2	11/16	1/16
ECOF070912	7/16	x 9/16	0.4385	0.4395	0.5645	0.5655	3/4	11/16	1/16
ECOF071012	7/16	x 5/8	0.4385	0.4395	0.6270	0.6280	3/4	7/8	1/8
ECOF071020	7/16	x 5/8	0.4385	0.4395	0.6270	0.6280	1 1/4	7/8	1/8
ECOF081005	1/2	x 5/8	0.5010	0.5020	0.6270	0.6280	5/16	7/8	1/8
ECOF081006	1/2	x 5/8	0.5010	0.5020	0.6270	0.6280	3/8	7/8	1/8
ECOF081008	1/2	x 5/8	0.5010	0.5020	0.6270	0.6280	1/2	7/8	1/8
ECOF081010	1/2	x 5/8	0.5010	0.5020	0.6270	0.6280	5/8	7/8	1/8
ECOF081012	1/2	x 5/8	0.5010	0.5020	0.6270	0.6280	3/4	7/8	1/8
ECOF081016	1/2	x 5/8	0.5010	0.5020	0.6270	0.6280	1	7/8	1/8
ECOF081020	1/2	x 5/8	0.5010	0.5020	0.6270	0.6280	1 1/4	7/8	1/8
ECOF081024	1/2	x 5/8	0.5010	0.5020	0.6270	0.6280	1 1/2	7/8	1/8
ECOF081105	1/2	x 11/16	0.5010	0.5020	0.6895	0.6905	5/16	7/8	1/8
ECOF081108	1/2	x 11/16	0.5010	0.5020	0.6895	0.6905	1/2	7/8	1/8
ECOF081112	1/2	x 11/16	0.5010	0.5020	0.6895	0.6905	3/4	7/8	1/8
ECOF081208	1/2	x 3/4	0.5010	0.5020	0.7520	0.7530	1/2	1	1/8
ECOF081210	1/2	x 3/4	0.5010	0.5020	0.7520	0.7530	5/8	1	1/8
ECOF081212	1/2	x 3/4	0.5010	0.5020	0.7520	0.7530	3/4	1	1/8

Length Size	Tolerance
-- to 1.495"	±0.005"
1.496" to 2.990"	±0.0075"
2.991" to 4.895"	±0.010"

Flange O.D. Size	Flange O.D. Tolerance
0 to 1.5"	±0.005"
Over 1.5" to 3"	±0.010"
Over 3" to 6"	±0.025"

Flange O.D. Size	Flange Thickness Tolerance
0 to 1.5"	±0.005"
Over 1.5" to 3"	±0.010"
Over 3" to 6"	±0.015"

If you require any further assistance, please call: 419-866-7000
or email: buntinginfo@buntingbearings.com



Powdered Metal SAE 841 Bronze ECO Flanged Bearings

PART NUMBER	NOMINAL SIZES		I.D. Min.	I.D. Max.	O.D. Min.	O.D. Max.	LENGTH	FLANGE O.D.	FLANGE THK.
	I.D.	O.D.							
ECOF081216	1/2	x 3/4	0.5010	0.5020	0.7520	0.7530	1	1	1/8
ECOF081220	1/2	x 3/4	0.5010	0.5020	0.7520	0.7530	1 1/4	1	1/8
ECOF101210	5/8	x 3/4	0.6260	0.6270	0.7520	0.7530	5/8	1	1/8
ECOF101212	5/8	x 3/4	0.6260	0.6270	0.7520	0.7530	3/4	1	1/8
ECOF101216	5/8	x 3/4	0.6260	0.6270	0.7520	0.7530	1	1	1/8
ECOF101218	5/8	x 3/4	0.6260	0.6270	0.7520	0.7530	1 1/8	1	1/8
ECOF101312	5/8	x 13/16	0.6260	0.6270	0.8155	0.8165	3/4	1	1/8
ECOF101316	5/8	x 13/16	0.6260	0.6270	0.8155	0.8165	1	1	1/8
ECOF101320	5/8	x 13/16	0.6260	0.6270	0.8155	0.8165	1 1/4	1	1/8
ECOF101324	5/8	x 13/16	0.6260	0.6270	0.8155	0.8165	1 1/2	1	1/8
ECOF101408	5/8	x 7/8	0.6260	0.6270	0.8780	0.8790	1/2	1 1/8	1/8
ECOF101410	5/8	x 7/8	0.6260	0.6270	0.8780	0.8790	5/8	1 1/8	1/8
ECOF101412	5/8	x 7/8	0.6260	0.6270	0.8780	0.8790	3/4	1 1/8	1/8
ECOF101416	5/8	x 7/8	0.6260	0.6270	0.8780	0.8790	1	1 1/8	1/8
ECOF101420	5/8	x 7/8	0.6260	0.6270	0.8780	0.8790	1 1/4	1 1/8	1/8
ECOF101616	5/8	x 1	0.6260	0.6270	1.0030	1.0040	1	1 1/4	3/16
ECOF121408	3/4	x 7/8	0.7510	0.7520	0.8780	0.8790	1/2	1 1/8	1/8
ECOF121412	3/4	x 7/8	0.7510	0.7520	0.8780	0.8790	3/4	1 1/8	1/8
ECOF121509	3/4	x 15/16	0.7510	0.7520	0.9405	0.9415	9/16	1 1/4	1/8
ECOF121512	3/4	x 15/16	0.7510	0.7520	0.9405	0.9415	3/4	1 1/4	1/8
ECOF121516	3/4	x 15/16	0.7510	0.7520	0.9405	0.9415	1	1 1/4	1/8
ECOF121518	3/4	x 15/16	0.7510	0.7520	0.9405	0.9415	1 1/8	1 1/4	1/8
ECOF121520	3/4	x 15/16	0.7510	0.7520	0.9405	0.9415	1 1/4	1 1/4	1/8
ECOF121524	3/4	x 15/16	0.7510	0.7520	0.9405	0.9415	1 1/2	1 1/4	1/8
ECOF121610	3/4	x 1	0.7510	0.7520	1.0030	1.0040	5/8	1 1/4	3/16
ECOF121612	3/4	x 1	0.7510	0.7520	1.0030	1.0040	3/4	1 1/4	3/16
ECOF121616	3/4	x 1	0.7510	0.7520	1.0030	1.0040	1	1 1/4	3/16
ECOF121618	3/4	x 1	0.7510	0.7520	1.0030	1.0040	1 1/8	1 1/4	3/16
ECOF121620	3/4	x 1	0.7510	0.7520	1.0030	1.0040	1 1/4	1 1/4	3/16
ECOF121624	3/4	x 1	0.7510	0.7520	1.0030	1.0040	1 1/2	1 1/4	3/16
ECOF141608	7/8	x 1	0.8760	0.8770	1.0030	1.0040	1/2	1 1/4	3/16
ECOF141612	7/8	x 1	0.8760	0.8770	1.0030	1.0040	3/4	1 1/4	3/16
ECOF141616	7/8	x 1	0.8760	0.8770	1.0030	1.0040	1	1 1/4	3/16
ECOF141812	7/8	x 1 1/8	0.8760	0.8770	1.1280	1.1290	3/4	1 1/2	1/8
ECOF141816	7/8	x 1 1/8	0.8760	0.8770	1.1280	1.1290	1	1 1/2	1/8
ECOF141820	7/8	x 1 1/8	0.8760	0.8770	1.1280	1.1290	1 1/4	1 1/2	1/8
ECOF141824	7/8	x 1 1/8	0.8760	0.8770	1.1280	1.1290	1 1/2	1 1/2	1/8
ECOF141828	7/8	x 1 1/8	0.8760	0.8770	1.1280	1.1290	1 3/4	1 1/2	1/8
ECOF162012	1	x 1 1/4	1.0020	1.0030	1.2530	1.2540	3/4	1 1/2	1/8
ECOF162016	1	x 1 1/4	1.0020	1.0030	1.2530	1.2540	1	1 1/2	1/8
ECOF162020	1	x 1 1/4	1.0020	1.0030	1.2530	1.2540	1 1/4	1 1/2	1/8
ECOF162024	1	x 1 1/4	1.0020	1.0030	1.2530	1.2540	1 1/2	1 1/2	1/8
ECOF162212	1	x 1 3/8	1.0020	1.0030	1.3780	1.3790	3/4	1 5/8	3/16
ECOF162216	1	x 1 3/8	1.0020	1.0030	1.3780	1.3790	1	1 5/8	3/16
ECOF162224	1	x 1 3/8	1.0020	1.0030	1.3780	1.3790	1 1/2	1 5/8	3/16

Length Size	Tolerance
-- to 1.495".....	±0.005"
1.496" to 2.990".....	±0.0075"
2.991" to 4.895".....	±0.010"

Flange O.D. Size	Flange O.D. Tolerance
0 to 1.5"	±0.005"
Over 1.5" to 3"	±0.010"
Over 3" to 6"	±0.025"

Flange O.D. Size	Flange Thickness Tolerance
0 to 1.5"	±0.005"
Over 1.5" to 3"	±0.010"
Over 3" to 6"	±0.015"



Powdered Metal SAE 841 Bronze ECO Flanged Bearings

PART NUMBER	NOMINAL SIZES		I.D. Min.	I.D. Max.	O.D. Min.	O.D. Max.	LENGTH	FLANGE O.D.	FLANGE THK.
	I.D.	O.D.							
ECOF162228	1	x 1 3/8	1.0020	1.0030	1.3780	1.3790	1 3/4	1 5/8	3/16
ECOF162232	1	x 1 3/8	1.0020	1.0030	1.3780	1.3790	2	1 5/8	3/16
ECOF202416	1 1/4	x 1 1/2	1.2525	1.2535	1.5030	1.5040	1	1 3/4	3/16
ECOF202420	1 1/4	x 1 1/2	1.2525	1.2535	1.5030	1.5040	1 1/4	1 3/4	3/16
ECOF202424	1 1/4	x 1 1/2	1.2525	1.2535	1.5030	1.5040	1 1/2	1 3/4	3/16
ECOF202428	1 1/4	x 1 1/2	1.2525	1.2535	1.5030	1.5040	1 3/4	1 3/4	3/16
ECOF242824	1 1/2	x 1 3/4	1.5030	1.5040	1.7535	1.7550	1 1/2	2	3/16
ECOF263232	1 5/8	x 2	1.6275	1.6290	2.0035	2.0050	2	2 1/4	3/16
ECOF283640	1 3/4	x 2 1/4	1.7525	1.7540	2.2535	2.2550	2 1/2	3	1/4
ECOF323632	2	x 2 1/4	2.0025	2.0040	2.2535	2.2550	2	2 1/2	1/8

Length Size	Tolerance
- to 1.495"	±0.005"
1.496" to 2.990"	±0.0075"
2.991" to 4.895"	±0.010"

Flange O.D. Size	Flange O.D. Tolerance
0 to 1.5"	±0.005"
Over 1.5" to 3"	±0.010"
Over 3" to 6"	±0.025"

Flange O.D. Size	Flange Thickness Tolerance
0 to 1.5"	±0.005"
Over 1.5" to 3"	±0.010"
Over 3" to 6"	±0.015"

If you require any further assistance, please call: 419-866-7000
or email: buntinginfo@buntingbearings.com



Powdered Metal SAE 841 Bronze ECO Thrust Washers

PART NUMBER	NOMINAL SIZES			I.D. Min.	I.D. Max.	O.D. Min.	O.D. Max.	LENGTH/THICKNESS ±0.005"
	I.D.		O.D.					
ECOW041001	1/4	x	5/8	0.2520	0.2560	0.6230	0.6330	1/16
ECOW051201	5/16	x	3/4	0.3145	0.3185	0.7480	0.7580	1/16
ECOW061201	3/8	x	3/4	0.3770	0.3810	0.7480	0.7580	1/16
ECOW061202	3/8	x	3/4	0.3770	0.3810	0.7480	0.7580	1/8
ECOW071201	7/16	x	3/4	0.4395	0.4435	0.7480	0.7580	1/16
ECOW081201	1/2	x	3/4	0.5020	0.5060	0.7480	0.7580	1/16
ECOW081601	1/2	x	1	0.5020	0.5060	0.9990	1.0090	1/16
ECOW081601.5	1/2	x	1	0.5020	0.5060	0.9990	1.0090	3/32
ECOW081602	1/2	x	1	0.5020	0.5060	0.9990	1.0090	1/8
ECOW092001	9/16	x	1 1/4	0.5645	0.5685	1.2490	1.2590	1/16
ECOW092002	9/16	x	1 1/4	0.5645	0.5685	1.2490	1.2590	1/8
ECOW101601	5/8	x	1	0.6270	0.6310	0.9990	1.0090	1/16
ECOW101602	5/8	x	1	0.6270	0.6310	0.9990	1.0090	1/8
ECOW101901	5/8	x	1 3/16	0.6270	0.6310	1.1865	1.1965	1/16
ECOW101902	5/8	x	1 3/16	0.6270	0.6310	1.1865	1.1965	3/32
ECOW101903	5/8	x	1 3/16	0.6270	0.6310	1.1865	1.1965	1/8
ECOW102001	5/8	x	1 1/4	0.6270	0.6310	1.2490	1.2590	1/16
ECOW102002	5/8	x	1 1/4	0.6270	0.6310	1.2490	1.2590	1/8
ECOW122001	3/4	x	1 1/4	0.7520	0.7560	1.2490	1.2590	1/16
ECOW122002	3/4	x	1 1/4	0.7520	0.7560	1.2490	1.2590	1/8
ECOW122202	3/4	x	1 3/8	0.7520	0.7560	1.3740	1.3840	1/8
ECOW122502	3/4	x	1 9/16	0.7520	0.7560	1.5575	1.5775	3/32
ECOW122802	3/4	x	1 3/4	0.7520	0.7560	1.7450	1.7650	1/8
ECOW142401	7/8	x	1 1/2	0.8770	0.8810	1.4990	1.5090	1/16
ECOW142402	7/8	x	1 1/2	0.8770	0.8810	1.4990	1.5090	1/8
ECOW162401	1	x	1 1/2	1.0030	1.0070	1.4990	1.5090	1/16
ECOW162402	1	x	1 1/2	1.0030	1.0070	1.4990	1.5090	1/8
ECOW162601	1	x	1 5/8	1.0030	1.0070	1.6200	1.6400	1/16
ECOW162602	1	x	1 5/8	1.0030	1.0070	1.6200	1.6400	1/8
ECOW162604	1	x	1 5/8	1.0030	1.0070	1.6200	1.6400	1/4
ECOW163202	1	x	2	1.0030	1.0070	1.9950	2.0150	1/8
ECOW163203	1	x	2	1.0030	1.0070	1.9950	2.0150	3/16
ECOW202702	1 1/4	x	1 11/16	1.2535	1.2575	1.6825	1.7025	1/8
ECOW203201	1 1/4	x	2	1.2535	1.2575	1.9950	2.0150	1/16
ECOW203202	1 1/4	x	2	1.2535	1.2575	1.9950	2.0150	1/8
ECOW244002	1 1/2	x	2 1/2	1.5040	1.5080	2.4950	2.5150	1/8
ECOW245603	1 1/2	x	3 1/2	1.5040	1.5080	3.4820	3.5320	3/16
ECOW284202	1 3/4	x	2 5/8	1.7540	1.7600	2.6210	2.6410	1/8
ECOW324802	2	x	3	2.0040	2.0100	2.9960	3.0160	1/8
ECOW324804	2	x	3	2.0040	2.0100	2.9960	3.0160	1/4

Bunting Dri-Plane® Bearings

Bunting offers a high performance sintered bearing called “Dri-Plane” using a proprietary metal compound for dry lubrication and/or high temperature applications.

“Dri-Plane” bearings will provide the following:

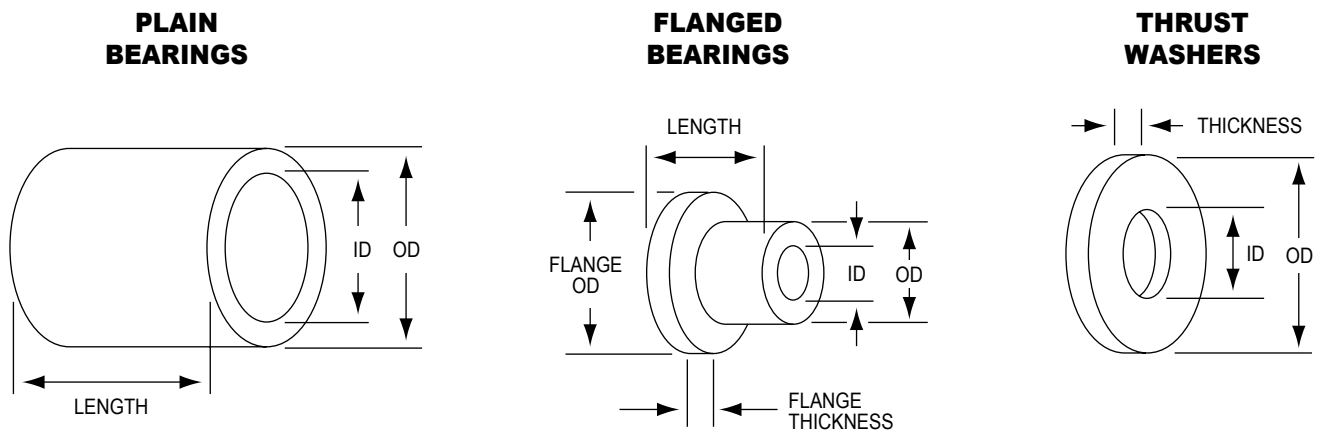
Benefits

- High temperature - approximately +700°F.
- No oil for lubrication, therefore cleaner and no out gassing.
- Available in all standard powdered metal bearing sizes up to 3" long.
- Available in bar stock for machining.
- Bearings made to ASTM standards.
- Made to your specifications.

Applications

- Food processing
- Electrical equipment
- Pharmaceuticals
- Furnaces and ovens
- Aerospace
- Vacuum processes
- Glass manufacturing

Temperature range: -10°F/+700°F





Powdered Metal Dri-Plane® Sleeve (Plain) Bearings

PART NUMBER	NOMINAL SIZES			I.D. Min.	I.D. Max.	O.D. Min.	O.D. Max.	LENGTH
	I.D.		O.D.					
DPEP020304*	1/8	x	3/16	0.1260	0.1270	0.1895	0.1905	1/4
DPEP020308	1/8	x	3/16	0.1260	0.1270	0.1895	0.1905	1/2
DPEP020402	1/8	x	1/4	0.1260	0.1270	0.2520	0.2530	1/8
DPEP020404	1/8	x	1/4	0.1260	0.1270	0.2520	0.2530	1/4
DPEP020406	1/8	x	1/4	0.1260	0.1270	0.2520	0.2530	3/8
DPEP020408*	1/8	x	1/4	0.1260	0.1270	0.2520	0.2530	1/2
DPEP030404	3/16	x	1/4	0.1885	0.1895	0.2520	0.2530	1/4
DPEP030406	3/16	x	1/4	0.1885	0.1895	0.2520	0.2530	3/8
DPEP030408	3/16	x	1/4	0.1885	0.1895	0.2520	0.2530	1/2
DPEP030410	3/16	x	1/4	0.1885	0.1895	0.2520	0.2530	5/8
DPEP030412*	3/16	x	1/4	0.1885	0.1895	0.2520	0.2530	3/4
DPEP030503*	3/16	x	5/16	0.1885	0.1895	0.3145	0.3155	3/16
DPEP030504	3/16	x	5/16	0.1885	0.1895	0.3145	0.3155	1/4
DPEP030505*	3/16	x	5/16	0.1885	0.1895	0.3145	0.3155	5/16
DPEP030506	3/16	x	5/16	0.1885	0.1895	0.3145	0.3155	3/8
DPEP030508	3/16	x	5/16	0.1885	0.1895	0.3145	0.3155	1/2
DPEP030510*	3/16	x	5/16	0.1885	0.1895	0.3145	0.3155	5/8
DPEP030512*	3/16	x	5/16	0.1885	0.1895	0.3145	0.3155	3/4
DPEP030516*	3/16	x	5/16	0.1885	0.1895	0.3145	0.3155	1
DPEP030604	3/16	x	3/8	0.1885	0.1895	0.3770	0.3780	1/4
DPEP030606*	3/16	x	3/8	0.1885	0.1895	0.3770	0.3780	3/8
DPEP030608*	3/16	x	3/8	0.1885	0.1895	0.3770	0.3780	1/2
DPEP030610*	3/16	x	3/8	0.1885	0.1895	0.3770	0.3780	5/8
DPEP030612*	3/16	x	3/8	0.1885	0.1895	0.3770	0.3780	3/4
DPEP040504	1/4	x	5/16	0.2510	0.2520	0.3145	0.3155	1/4
DPEP040506*	1/4	x	5/16	0.2510	0.2520	0.3145	0.3155	3/8
DPEP040508	1/4	x	5/16	0.2510	0.2520	0.3145	0.3155	1/2
DPEP040510*	1/4	x	5/16	0.2510	0.2520	0.3145	0.3155	5/8
DPEP040512	1/4	x	5/16	0.2510	0.2520	0.3145	0.3155	3/4
DPEP040604	1/4	x	3/8	0.2510	0.2520	0.3770	0.3780	1/4
DPEP040605*	1/4	x	3/8	0.2510	0.2520	0.3770	0.3780	5/16
DPEP040606	1/4	x	3/8	0.2510	0.2520	0.3770	0.3780	3/8
DPEP040607*	1/4	x	3/8	0.2510	0.2520	0.3770	0.3780	7/16
DPEP040608	1/4	x	3/8	0.2510	0.2520	0.3770	0.3780	1/2
DPEP040610	1/4	x	3/8	0.2510	0.2520	0.3770	0.3780	5/8
DPEP040612*	1/4	x	3/8	0.2510	0.2520	0.3770	0.3780	3/4
DPEP040614	1/4	x	3/8	0.2510	0.2520	0.3770	0.3780	7/8
DPEP040616	1/4	x	3/8	0.2510	0.2520	0.3770	0.3780	1
DPEP040618*	1/4	x	3/8	0.2510	0.2520	0.3770	0.3780	1 1/8
DPEP040620*	1/4	x	3/8	0.2510	0.2520	0.3770	0.3780	1 1/4
DPEP040706*	1/4	x	7/16	0.2510	0.2520	0.4395	0.4405	3/8
DPEP040708*	1/4	x	7/16	0.2510	0.2520	0.4395	0.4405	1/2
DPEP040710*	1/4	x	7/16	0.2510	0.2520	0.4395	0.4405	5/8
DPEP040712*	1/4	x	7/16	0.2510	0.2520	0.4395	0.4405	3/4

*When current inventory is depleted, these sizes will be supplied on special order basis only. Minimum order quantities may apply.

Length Size	Tolerance
-- to 1.495"	±0.005"
1.496" to 2.990"	±0.0075"
2.991" to 4.895"	±0.010"



Powdered Metal Dri-Plane® Sleeve (Plain) Bearings

PART NUMBER	NOMINAL SIZES			I.D. Min.	I.D. Max.	O.D. Min.	O.D. Max.	LENGTH
	I.D.		O.D.					
DPEP040714*	1/4	x	7/16	0.2510	0.2520	0.4395	0.4405	7/8
DPEP040716*	1/4	x	7/16	0.2510	0.2520	0.4395	0.4405	1
DPEP040805*	1/4	x	1/2	0.2510	0.2520	0.5020	0.5030	5/16
DPEP040808	1/4	x	1/2	0.2510	0.2520	0.5020	0.5030	1/2
DPEP040812	1/4	x	1/2	0.2510	0.2520	0.5020	0.5030	3/4
DPEP040816	1/4	x	1/2	0.2510	0.2520	0.5020	0.5030	1
DPEP040820*	1/4	x	1/2	0.2510	0.2520	0.5020	0.5030	1 1/4
DPEP050604	5/16	x	3/8	0.3135	0.3145	0.3770	0.3780	1/4
DPEP050606	5/16	x	3/8	0.3135	0.3145	0.3770	0.3780	3/8
DPEP050608	5/16	x	3/8	0.3135	0.3145	0.3770	0.3780	1/2
DPEP050610	5/16	x	3/8	0.3135	0.3145	0.3770	0.3780	5/8
DPEP050612	5/16	x	3/8	0.3135	0.3145	0.3770	0.3780	3/4
DPEP050614*	5/16	x	3/8	0.3135	0.3145	0.3770	0.3780	7/8
DPEP050616	5/16	x	3/8	0.3135	0.3145	0.3770	0.3780	1
DPEP050704	5/16	x	7/16	0.3135	0.3145	0.4395	0.4405	1/4
DPEP050705*	5/16	x	7/16	0.3135	0.3145	0.4395	0.4405	5/16
DPEP050706	5/16	x	7/16	0.3135	0.3145	0.4395	0.4405	3/8
DPEP050708	5/16	x	7/16	0.3135	0.3145	0.4395	0.4405	1/2
DPEP050710	5/16	x	7/16	0.3135	0.3145	0.4395	0.4405	5/8
DPEP050712	5/16	x	7/16	0.3135	0.3145	0.4395	0.4405	3/4
DPEP050714*	5/16	x	7/16	0.3135	0.3145	0.4395	0.4405	7/8
DPEP050716	5/16	x	7/16	0.3135	0.3145	0.4395	0.4405	1
DPEP050718*	5/16	x	7/16	0.3135	0.3145	0.4395	0.4405	1 1/8
DPEP050720*	5/16	x	7/16	0.3135	0.3145	0.4395	0.4405	1 1/4
DPEP050806	5/16	x	1/2	0.3135	0.3145	0.5020	0.5030	3/8
DPEP050808	5/16	x	1/2	0.3135	0.3145	0.5020	0.5030	1/2
DPEP050810*	5/16	x	1/2	0.3135	0.3145	0.5020	0.5030	5/8
DPEP050812	5/16	x	1/2	0.3135	0.3145	0.5020	0.5030	3/4
DPEP050814*	5/16	x	1/2	0.3135	0.3145	0.5020	0.5030	7/8
DPEP050816	5/16	x	1/2	0.3135	0.3145	0.5020	0.5030	1
DPEP050820	5/16	x	1/2	0.3135	0.3145	0.5020	0.5030	1 1/4
DPEP050824*	5/16	x	1/2	0.3135	0.3145	0.5020	0.5030	1 1/2
DPEP060708*	3/8	x	7/16	0.3760	0.3770	0.4395	0.4405	1/2
DPEP060710*	3/8	x	7/16	0.3760	0.3770	0.4395	0.4405	5/8
DPEP060712*	3/8	x	7/16	0.3760	0.3770	0.4395	0.4405	3/4
DPEP060716*	3/8	x	7/16	0.3760	0.3770	0.4395	0.4405	1
DPEP060803*	3/8	x	1/2	0.3760	0.3770	0.5020	0.5030	3/16
DPEP060804	3/8	x	1/2	0.3760	0.3770	0.5020	0.5030	1/4
DPEP060805*	3/8	x	1/2	0.3760	0.3770	0.5020	0.5030	5/16
DPEP060806	3/8	x	1/2	0.3760	0.3770	0.5020	0.5030	3/8
DPEP060807*	3/8	x	1/2	0.3760	0.3770	0.5020	0.5030	7/16
DPEP060808	3/8	x	1/2	0.3760	0.3770	0.5020	0.5030	1/2
DPEP060810	3/8	x	1/2	0.3760	0.3770	0.5020	0.5030	5/8
DPEP060812	3/8	x	1/2	0.3760	0.3770	0.5020	0.5030	3/4
DPEP060814	3/8	x	1/2	0.3760	0.3770	0.5020	0.5030	7/8

*When current inventory is depleted, these sizes will be supplied on special order basis only. Minimum order quantities may apply.

Length Size	Tolerance
-- to 1.495"	±0.005"
1.496" to 2.990"	±0.0075"
2.991" to 4.895"	±0.010"

If you require any further assistance, please call: 419-866-7000
or email: buntinginfo@buntingbearings.com



Powdered Metal Dri-Plane® Sleeve (Plain) Bearings

PART NUMBER	NOMINAL SIZES		I.D. Min.	I.D. Max.	O.D. Min.	O.D. Max.	LENGTH
	I.D.	O.D.					
DPEP060816	3/8	x 1/2	0.3760	0.3770	0.5020	0.5030	1
DPEP060818*	3/8	x 1/2	0.3760	0.3770	0.5020	0.5030	1 1/8
DPEP060820	3/8	x 1/2	0.3760	0.3770	0.5020	0.5030	1 1/4
DPEP060906	3/8	x 9/16	0.3760	0.3770	0.5645	0.5655	3/8
DPEP060908	3/8	x 9/16	0.3760	0.3770	0.5645	0.5655	1/2
DPEP060910*	3/8	x 9/16	0.3760	0.3770	0.5645	0.5655	5/8
DPEP060912	3/8	x 9/16	0.3760	0.3770	0.5645	0.5655	3/4
DPEP060914*	3/8	x 9/16	0.3760	0.3770	0.5645	0.5655	7/8
DPEP060916	3/8	x 9/16	0.3760	0.3770	0.5645	0.5655	1
DPEP060920	3/8	x 9/16	0.3760	0.3770	0.5645	0.5655	1 1/4
DPEP061006	3/8	x 5/8	0.3760	0.3770	0.6270	0.6280	3/8
DPEP061008	3/8	x 5/8	0.3760	0.3770	0.6270	0.6280	1/2
DPEP061010	3/8	x 5/8	0.3760	0.3770	0.6270	0.6280	5/8
DPEP061012	3/8	x 5/8	0.3760	0.3770	0.6270	0.6280	3/4
DPEP061014*	3/8	x 5/8	0.3760	0.3770	0.6270	0.6280	7/8
DPEP061016	3/8	x 5/8	0.3760	0.3770	0.6270	0.6280	1
DPEP061020*	3/8	x 5/8	0.3760	0.3770	0.6270	0.6280	1 1/4
DPEP061206*	3/8	x 3/4	0.3760	0.3770	0.7520	0.7530	3/8
DPEP061208*	3/8	x 3/4	0.3760	0.3770	0.7520	0.7530	1/2
DPEP061212*	3/8	x 3/4	0.3760	0.3770	0.7520	0.7530	3/4
DPEP061216	3/8	x 3/4	0.3760	0.3770	0.7520	0.7530	1
DPEP061220*	3/8	x 3/4	0.3760	0.3770	0.7520	0.7530	1 1/4
DPEP070906	7/16	x 9/16	0.4385	0.4395	0.5645	0.5655	3/8
DPEP070908	7/16	x 9/16	0.4385	0.4395	0.5645	0.5655	1/2
DPEP070910*	7/16	x 9/16	0.4385	0.4395	0.5645	0.5655	5/8
DPEP070912*	7/16	x 9/16	0.4385	0.4395	0.5645	0.5655	3/4
DPEP070916	7/16	x 9/16	0.4385	0.4395	0.5645	0.5655	1
DPEP070920	7/16	x 9/16	0.4385	0.4395	0.5645	0.5655	1 1/4
DPEP071006*	7/16	x 5/8	0.4385	0.4395	0.6270	0.6280	3/8
DPEP071008	7/16	x 5/8	0.4385	0.4395	0.6270	0.6280	1/2
DPEP071010*	7/16	x 5/8	0.4385	0.4395	0.6270	0.6280	5/8
DPEP071012	7/16	x 5/8	0.4385	0.4395	0.6270	0.6280	3/4
DPEP071014*	7/16	x 5/8	0.4385	0.4395	0.6270	0.6280	7/8
DPEP071016	7/16	x 5/8	0.4385	0.4395	0.6270	0.6280	1
DPEP071020*	7/16	x 5/8	0.4385	0.4395	0.6270	0.6280	1 1/4
DPEP071024*	7/16	x 5/8	0.4385	0.4395	0.6270	0.6280	1 1/2
DPEP071108*	7/16	x 11/16	0.4385	0.4395	0.6895	0.6905	1/2
DPEP071116*	7/16	x 11/16	0.4385	0.4395	0.6895	0.6905	1
DPEP071124*	7/16	x 11/16	0.4385	0.4395	0.6895	0.6905	1 1/2
DPEP081005*	1/2	x 5/8	0.5010	0.5020	0.6270	0.6280	5/16
DPEP081006	1/2	x 5/8	0.5010	0.5020	0.6270	0.6280	3/8
DPEP081007*	1/2	x 5/8	0.5010	0.5020	0.6270	0.6280	7/16
DPEP081008	1/2	x 5/8	0.5010	0.5020	0.6270	0.6280	1/2
DPEP081009	1/2	x 5/8	0.5010	0.5020	0.6270	0.6280	9/16

*When current inventory is depleted, these sizes will be supplied on special order basis only. Minimum order quantities may apply.

Length Size	Tolerance
-- to 1.495"	±0.005"
1.496" to 2.990"	±0.0075"
2.991" to 4.895"	±0.010"



Powdered Metal Dri-Plane® Sleeve (Plain) Bearings

PART NUMBER	NOMINAL SIZES			I.D. Min.	I.D. Max.	O.D. Min.	O.D. Max.	LENGTH
	I.D.		O.D.					
DPEP081010	1/2	x	5/8	0.5010	0.5020	0.6270	0.6280	5/8
DPEP081011*	1/2	x	5/8	0.5010	0.5020	0.6270	0.6280	11/16
DPEP081012	1/2	x	5/8	0.5010	0.5020	0.6270	0.6280	3/4
DPEP081014	1/2	x	5/8	0.5010	0.5020	0.6270	0.6280	7/8
DPEP081016	1/2	x	5/8	0.5010	0.5020	0.6270	0.6280	1
DPEP081018	1/2	x	5/8	0.5010	0.5020	0.6270	0.6280	1 1/8
DPEP081020	1/2	x	5/8	0.5010	0.5020	0.6270	0.6280	1 1/4
DPEP081024	1/2	x	5/8	0.5010	0.5020	0.6270	0.6280	1 1/2
DPEP081106*	1/2	x	11/16	0.5010	0.5020	0.6895	0.6905	3/8
DPEP081108	1/2	x	11/16	0.5010	0.5020	0.6895	0.6905	1/2
DPEP081110	1/2	x	11/16	0.5010	0.5020	0.6895	0.6905	5/8
DPEP081112	1/2	x	11/16	0.5010	0.5020	0.6895	0.6905	3/4
DPEP081114*	1/2	x	11/16	0.5010	0.5020	0.6895	0.6905	7/8
DPEP081116	1/2	x	11/16	0.5010	0.5020	0.6895	0.6905	1
DPEP081118*	1/2	x	11/16	0.5010	0.5020	0.6895	0.6905	1 1/8
DPEP081120*	1/2	x	11/16	0.5010	0.5020	0.6895	0.6905	1 1/4
DPEP081124*	1/2	x	11/16	0.5010	0.5020	0.6895	0.6905	1 1/2
DPEP081206	1/2	x	3/4	0.5010	0.5020	0.7520	0.7530	3/8
DPEP081208	1/2	x	3/4	0.5010	0.5020	0.7520	0.7530	1/2
DPEP081210	1/2	x	3/4	0.5010	0.5020	0.7520	0.7530	5/8
DPEP081212	1/2	x	3/4	0.5010	0.5020	0.7520	0.7530	3/4
DPEP081214*	1/2	x	3/4	0.5010	0.5020	0.7520	0.7530	7/8
DPEP081216	1/2	x	3/4	0.5010	0.5020	0.7520	0.7530	1
DPEP081218	1/2	x	3/4	0.5010	0.5020	0.7520	0.7530	1 1/8
DPEP081220	1/2	x	3/4	0.5010	0.5020	0.7520	0.7530	1 1/4
DPEP081224	1/2	x	3/4	0.5010	0.5020	0.7520	0.7530	1 1/2
DPEP081228	1/2	x	3/4	0.5010	0.5020	0.7520	0.7530	1 3/4
DPEP081232*	1/2	x	3/4	0.5010	0.5020	0.7520	0.7530	2
DPEP081308*	1/2	x	13/16	0.5010	0.5020	0.8155	0.8165	1/2
DPEP081312*	1/2	x	13/16	0.5010	0.5020	0.8155	0.8165	3/4
DPEP081316*	1/2	x	13/16	0.5010	0.5020	0.8155	0.8165	1
DPEP081324*	1/2	x	13/16	0.5010	0.5020	0.8155	0.8165	1 1/2
DPEP081408*	1/2	x	7/8	0.5010	0.5020	0.8780	0.8790	1/2
DPEP081410*	1/2	x	7/8	0.5010	0.5020	0.8780	0.8790	5/8
DPEP081412*	1/2	x	7/8	0.5010	0.5020	0.8780	0.8790	3/4
DPEP081414*	1/2	x	7/8	0.5010	0.5020	0.8780	0.8790	7/8
DPEP081416*	1/2	x	7/8	0.5010	0.5020	0.8780	0.8790	1
DPEP081420*	1/2	x	7/8	0.5010	0.5020	0.8780	0.8790	1 1/4
DPEP081424*	1/2	x	7/8	0.5010	0.5020	0.8780	0.8790	1 1/2
DPEP081612*	1/2	x	1	0.5010	0.5020	1.0030	1.0040	3/4
DPEP081616	1/2	x	1	0.5010	0.5020	1.0030	1.0040	1
DPEP081624*	1/2	x	1	0.5010	0.5020	1.0030	1.0040	1 1/2
DPEP081632*	1/2	x	1	0.5010	0.5020	1.0030	1.0040	2
DPEP091108*	9/16	x	11/16	0.5635	0.5645	0.6895	0.6905	1/2
DPEP091110*	9/16	x	11/16	0.5635	0.5645	0.6895	0.6905	5/8

*When current inventory is depleted, these sizes will be supplied on special order basis only. Minimum order quantities may apply.

Length Size	Tolerance
-- to 1.495"	±0.005"
1.496" to 2.990"	±0.0075"
2.991" to 4.895"	±0.010"

If you require any further assistance, please call: 419-866-7000
or email: buntinginfo@buntingbearings.com



Powdered Metal Dri-Plane® Sleeve (Plain) Bearings

PART NUMBER	NOMINAL SIZES			I.D. Min.	I.D. Max.	O.D. Min.	O.D. Max.	LENGTH
	I.D.		O.D.					
DPEP091112*	9/16	x	11/16	0.5635	0.5645	0.6895	0.6905	3/4
DPEP091116*	9/16	x	11/16	0.5635	0.5645	0.6895	0.6905	1
DPEP091120*	9/16	x	11/16	0.5635	0.5645	0.6895	0.6905	1 1/4
DPEP091124*	9/16	x	11/16	0.5635	0.5645	0.6895	0.6905	1 1/2
DPEP091208	9/16	x	3/4	0.5635	0.5645	0.7520	0.7530	1/2
DPEP091212	9/16	x	3/4	0.5635	0.5645	0.7520	0.7530	3/4
DPEP091216*	9/16	x	3/4	0.5635	0.5645	0.7520	0.7530	1
DPEP091220	9/16	x	3/4	0.5635	0.5645	0.7520	0.7530	1 1/4
DPEP091224*	9/16	x	3/4	0.5635	0.5645	0.7520	0.7530	1 1/2
DPEP091308*	9/16	x	13/16	0.5635	0.5645	0.8155	0.8165	1/2
DPEP091312*	9/16	x	13/16	0.5635	0.5645	0.8155	0.8165	3/4
DPEP091316*	9/16	x	13/16	0.5635	0.5645	0.8155	0.8165	1
DPEP091320*	9/16	x	13/16	0.5635	0.5645	0.8155	0.8165	1 1/4
DPEP091324*	9/16	x	13/16	0.5635	0.5645	0.8155	0.8165	1 1/2
DPEP101206*	5/8	x	3/4	0.6260	0.6270	0.7520	0.7530	3/8
DPEP101208	5/8	x	3/4	0.6260	0.6270	0.7520	0.7530	1/2
DPEP101210	5/8	x	3/4	0.6260	0.6270	0.7520	0.7530	5/8
DPEP101212	5/8	x	3/4	0.6260	0.6270	0.7520	0.7530	3/4
DPEP101214	5/8	x	3/4	0.6260	0.6270	0.7520	0.7530	7/8
DPEP101216	5/8	x	3/4	0.6260	0.6270	0.7520	0.7530	1
DPEP101218	5/8	x	3/4	0.6260	0.6270	0.7520	0.7530	1 1/8
DPEP101220	5/8	x	3/4	0.6260	0.6270	0.7520	0.7530	1 1/4
DPEP101224	5/8	x	3/4	0.6260	0.6270	0.7520	0.7530	1 1/2
DPEP101308	5/8	x	13/16	0.6260	0.6270	0.8155	0.8165	1/2
DPEP101310*	5/8	x	13/16	0.6260	0.6270	0.8155	0.8165	5/8
DPEP101312	5/8	x	13/16	0.6260	0.6270	0.8155	0.8165	3/4
DPEP101314*	5/8	x	13/16	0.6260	0.6270	0.8155	0.8165	7/8
DPEP101316	5/8	x	13/16	0.6260	0.6270	0.8155	0.8165	1
DPEP101320*	5/8	x	13/16	0.6260	0.6270	0.8155	0.8165	1 1/4
DPEP101324*	5/8	x	13/16	0.6260	0.6270	0.8155	0.8165	1 1/2
DPEP101328*	5/8	x	13/16	0.6260	0.6270	0.8155	0.8165	1 3/4
DPEP101408*	5/8	x	7/8	0.6260	0.6270	0.8780	0.8790	1/2
DPEP101410	5/8	x	7/8	0.6260	0.6270	0.8780	0.8790	5/8
DPEP101412	5/8	x	7/8	0.6260	0.6270	0.8780	0.8790	3/4
DPEP101414*	5/8	x	7/8	0.6260	0.6270	0.8780	0.8790	7/8
DPEP101416	5/8	x	7/8	0.6260	0.6270	0.8780	0.8790	1
DPEP101418*	5/8	x	7/8	0.6260	0.6270	0.8780	0.8790	1 1/8
DPEP101420*	5/8	x	7/8	0.6260	0.6270	0.8780	0.8790	1 1/4
DPEP101424	5/8	x	7/8	0.6260	0.6270	0.8780	0.8790	1 1/2
DPEP101428*	5/8	x	7/8	0.6260	0.6270	0.8780	0.8790	1 3/4
DPEP101432*	5/8	x	7/8	0.6260	0.6270	0.8780	0.8790	2
DPEP101510*	5/8	x	15/16	0.6260	0.6270	0.9405	0.9415	5/8
DPEP101512*	5/8	x	15/16	0.6260	0.6270	0.9405	0.9415	3/4
DPEP101516*	5/8	x	15/16	0.6260	0.6270	0.9405	0.9415	1
DPEP101608	5/8	x	1	0.6260	0.6270	1.0030	1.0040	1/2

*When current inventory is depleted, these sizes will be supplied on special order basis only. Minimum order quantities may apply.

Length Size	Tolerance
-- to 1.495"	±0.005"
1.496" to 2.990"	±0.0075"
2.991" to 4.895"	±0.010"



Powdered Metal Dri-Plane® Sleeve (Plain) Bearings

PART NUMBER	NOMINAL SIZES			I.D. Min.	I.D. Max.	O.D. Min.	O.D. Max.	LENGTH
	I.D.		O.D.					
DPEP101610*	5/8	x	1	0.6260	0.6270	1.0030	1.0040	5/8
DPEP101612	5/8	x	1	0.6260	0.6270	1.0030	1.0040	3/4
DPEP101616*	5/8	x	1	0.6260	0.6270	1.0030	1.0040	1
DPEP101620	5/8	x	1	0.6260	0.6270	1.0030	1.0040	1 1/4
DPEP101624*	5/8	x	1	0.6260	0.6270	1.0030	1.0040	1 1/2
DPEP101628*	5/8	x	1	0.6260	0.6270	1.0030	1.0040	1 3/4
DPEP101632	5/8	x	1	0.6260	0.6270	1.0030	1.0040	2
DPEP111412*	11/16	x	7/8	0.6885	0.6895	0.8780	0.8790	3/4
DPEP111416*	11/16	x	7/8	0.6885	0.6895	0.8780	0.8790	1
DPEP111420*	11/16	x	7/8	0.6885	0.6895	0.8780	0.8790	1 1/4
DPEP111424*	11/16	x	7/8	0.6885	0.6895	0.8780	0.8790	1 1/2
DPEP111428*	11/16	x	7/8	0.6885	0.6895	0.8780	0.8790	1 3/4
DPEP111432*	11/16	x	7/8	0.6885	0.6895	0.8780	0.8790	2
DPEP121408	3/4	x	7/8	0.7510	0.7520	0.8780	0.8790	1/2
DPEP121409*	3/4	x	7/8	0.7510	0.7520	0.8780	0.8790	9/16
DPEP121410	3/4	x	7/8	0.7510	0.7520	0.8780	0.8790	5/8
DPEP121411*	3/4	x	7/8	0.7510	0.7520	0.8780	0.8790	11/16
DPEP121412	3/4	x	7/8	0.7510	0.7520	0.8780	0.8790	3/4
DPEP121414*	3/4	x	7/8	0.7510	0.7520	0.8780	0.8790	7/8
DPEP121416	3/4	x	7/8	0.7510	0.7520	0.8780	0.8790	1
DPEP121418*	3/4	x	7/8	0.7510	0.7520	0.8780	0.8790	1 1/8
DPEP121420*	3/4	x	7/8	0.7510	0.7520	0.8780	0.8790	1 1/4
DPEP121424	3/4	x	7/8	0.7510	0.7520	0.8780	0.8790	1 1/2
DPEP121426*	3/4	x	7/8	0.7510	0.7520	0.8780	0.8790	1 5/8
DPEP121508*	3/4	x	15/16	0.7510	0.7520	0.9405	0.9415	1/2
DPEP121510*	3/4	x	15/16	0.7510	0.7520	0.9405	0.9415	5/8
DPEP121512	3/4	x	15/16	0.7510	0.7520	0.9405	0.9415	3/4
DPEP121514*	3/4	x	15/16	0.7510	0.7520	0.9405	0.9415	7/8
DPEP121516*	3/4	x	15/16	0.7510	0.7520	0.9405	0.9415	1
DPEP121518*	3/4	x	15/16	0.7510	0.7520	0.9405	0.9415	1 1/8
DPEP121520*	3/4	x	15/16	0.7510	0.7520	0.9405	0.9415	1 1/4
DPEP121524	3/4	x	15/16	0.7510	0.7520	0.9405	0.9415	1 1/2
DPEP121528*	3/4	x	15/16	0.7510	0.7520	0.9405	0.9415	1 3/4
DPEP121532	3/4	x	15/16	0.7510	0.7520	0.9405	0.9415	2
DPEP121608	3/4	x	1	0.7510	0.7520	1.0030	1.0040	1/2
DPEP121610	3/4	x	1	0.7510	0.7520	1.0030	1.0040	5/8
DPEP121612	3/4	x	1	0.7510	0.7520	1.0030	1.0040	3/4
DPEP121614	3/4	x	1	0.7510	0.7520	1.0030	1.0040	7/8
DPEP121616	3/4	x	1	0.7510	0.7520	1.0030	1.0040	1
DPEP121618*	3/4	x	1	0.7510	0.7520	1.0030	1.0040	1 1/8
DPEP121620	3/4	x	1	0.7510	0.7520	1.0030	1.0040	1 1/4
DPEP121624	3/4	x	1	0.7510	0.7520	1.0030	1.0040	1 1/2
DPEP121628	3/4	x	1	0.7510	0.7520	1.0030	1.0040	1 3/4
DPEP121632	3/4	x	1	0.7510	0.7520	1.0030	1.0040	2
DPEP121640*	3/4	x	1	0.7510	0.7520	1.0030	1.0040	2 1/2

*When current inventory is depleted, these sizes will be supplied on special order basis only. Minimum order quantities may apply.

Length Size	Tolerance
-- to 1.495"	±0.005"
1.496" to 2.990"	±0.0075"
2.991" to 4.895"	±0.010"

If you require any further assistance, please call: 419-866-7000
or email: buntinginfo@buntingbearings.com



Powdered Metal Dri-Plane® Sleeve (Plain) Bearings

PART NUMBER	NOMINAL SIZES			I.D. Min.	I.D. Max.	O.D. Min.	O.D. Max.	LENGTH
	I.D.		O.D.					
DPEP121808*	3/4	x	1 1/8	0.7510	0.7520	1.1280	1.1290	1/2
DPEP121812*	3/4	x	1 1/8	0.7510	0.7520	1.1280	1.1290	3/4
DPEP121816*	3/4	x	1 1/8	0.7510	0.7520	1.1280	1.1290	1
DPEP121820*	3/4	x	1 1/8	0.7510	0.7520	1.1280	1.1290	1 1/4
DPEP121824	3/4	x	1 1/8	0.7510	0.7520	1.1280	1.1290	1 1/2
DPEP121828*	3/4	x	1 1/8	0.7510	0.7520	1.1280	1.1290	1 3/4
DPEP121832*	3/4	x	1 1/8	0.7510	0.7520	1.1280	1.1290	2
DPEP122012*	3/4	x	1 1/4	0.7510	0.7520	1.2530	1.2540	3/4
DPEP122016	3/4	x	1 1/4	0.7510	0.7520	1.2530	1.2540	1
DPEP122020*	3/4	x	1 1/4	0.7510	0.7520	1.2530	1.2540	1 1/4
DPEP122024*	3/4	x	1 1/4	0.7510	0.7520	1.2530	1.2540	1 1/2
DPEP141606*	7/8	x	1	0.8760	0.8770	1.0030	1.0040	3/8
DPEP141608*	7/8	x	1	0.8760	0.8770	1.0030	1.0040	1/2
DPEP141610*	7/8	x	1	0.8760	0.8770	1.0030	1.0040	5/8
DPEP141612*	7/8	x	1	0.8760	0.8770	1.0030	1.0040	3/4
DPEP141614*	7/8	x	1	0.8760	0.8770	1.0030	1.0040	7/8
DPEP141616*	7/8	x	1	0.8760	0.8770	1.0030	1.0040	1
DPEP141620*	7/8	x	1	0.8760	0.8770	1.0030	1.0040	1 1/4
DPEP141624	7/8	x	1	0.8760	0.8770	1.0030	1.0040	1 1/2
DPEP141628*	7/8	x	1	0.8760	0.8770	1.0030	1.0040	1 3/4
DPEP141716*	7/8	x	1 1/16	0.8760	0.8770	1.0655	1.0665	1
DPEP141720*	7/8	x	1 1/16	0.8760	0.8770	1.0655	1.0665	1 1/4
DPEP141812*	7/8	x	1 1/8	0.8760	0.8770	1.1280	1.1290	3/4
DPEP141814*	7/8	x	1 1/8	0.8760	0.8770	1.1280	1.1290	7/8
DPEP141816	7/8	x	1 1/8	0.8760	0.8770	1.1280	1.1290	1
DPEP141818*	7/8	x	1 1/8	0.8760	0.8770	1.1280	1.1290	1 1/8
DPEP141820	7/8	x	1 1/8	0.8760	0.8770	1.1280	1.1290	1 1/4
DPEP141822*	7/8	x	1 1/8	0.8760	0.8770	1.1280	1.1290	1 3/8
DPEP141824*	7/8	x	1 1/8	0.8760	0.8770	1.1280	1.1290	1 1/2
DPEP141828*	7/8	x	1 1/8	0.8760	0.8770	1.1280	1.1290	1 3/4
DPEP141832	7/8	x	1 1/8	0.8760	0.8770	1.1280	1.1290	2
DPEP141836*	7/8	x	1 1/8	0.8760	0.8770	1.1280	1.1290	2 1/4
DPEP141840*	7/8	x	1 1/8	0.8760	0.8770	1.1280	1.1290	2 1/2
DPEP142012*	7/8	x	1 1/4	0.8760	0.8770	1.2530	1.2540	3/4
DPEP142016*	7/8	x	1 1/4	0.8760	0.8770	1.2530	1.2540	1
DPEP142020*	7/8	x	1 1/4	0.8760	0.8770	1.2530	1.2540	1 1/4
DPEP142024*	7/8	x	1 1/4	0.8760	0.8770	1.2530	1.2540	1 1/2
DPEP142032*	7/8	x	1 1/4	0.8760	0.8770	1.2530	1.2540	2
DPEP151912*	15/16	x	1 3/16	0.9385	0.9395	1.1905	1.1915	3/4
DPEP151916*	15/16	x	1 3/16	0.9385	0.9395	1.1905	1.1915	1
DPEP151920*	15/16	x	1 3/16	0.9385	0.9395	1.1905	1.1915	1 1/4
DPEP151924*	15/16	x	1 3/16	0.9385	0.9395	1.1905	1.1915	1 1/2
DPEP151932*	15/16	x	1 3/16	0.9385	0.9395	1.1905	1.1915	2
DPEP152012*	15/16	x	1 1/4	0.9385	0.9395	1.2530	1.2540	3/4
DPEP152016*	15/16	x	1 1/4	0.9385	0.9395	1.2530	1.2540	1

*When current inventory is depleted, these sizes will be supplied on special order basis only. Minimum order quantities may apply.

Length Size	Tolerance
-- to 1.495"	±0.005"
1.496" to 2.990"	±0.0075"
2.991" to 4.895"	±0.010"



Powdered Metal Dri-Plane® Sleeve (Plain) Bearings

PART NUMBER	NOMINAL SIZES			I.D. Min.	I.D. Max.	O.D. Min.	O.D. Max.	LENGTH
	I.D.		O.D.					
DPEP152020*	15/16	x	1 1/4	0.9385	0.9395	1.2530	1.2540	1 1/4
DPEP152024*	15/16	x	1 1/4	0.9385	0.9395	1.2530	1.2540	1 1/2
DPEP152028*	15/16	x	1 1/4	0.9385	0.9395	1.2530	1.2540	1 3/4
DPEP152032*	15/16	x	1 1/4	0.9385	0.9395	1.2530	1.2540	2
DPEP161812*	1	x	1 1/8	1.0020	1.0030	1.1280	1.1290	3/4
DPEP161814*	1	x	1 1/8	1.0020	1.0030	1.1280	1.1290	7/8
DPEP161816	1	x	1 1/8	1.0020	1.0030	1.1280	1.1290	1
DPEP161820*	1	x	1 1/8	1.0020	1.0030	1.1280	1.1290	1 1/4
DPEP161824*	1	x	1 1/8	1.0020	1.0030	1.1280	1.1290	1 1/2
DPEP161828*	1	x	1 1/8	1.0020	1.0030	1.1280	1.1290	1 3/4
DPEP161832*	1	x	1 1/8	1.0020	1.0030	1.1280	1.1290	2
DPEP161912*	1	x	1 3/16	1.0020	1.0030	1.1905	1.1915	3/4
DPEP161916*	1	x	1 3/16	1.0020	1.0030	1.1905	1.1915	1
DPEP161920*	1	x	1 3/16	1.0020	1.0030	1.1905	1.1915	1 1/4
DPEP161924*	1	x	1 3/16	1.0020	1.0030	1.1905	1.1915	1 1/2
DPEP161928*	1	x	1 3/16	1.0020	1.0030	1.1905	1.1915	1 3/4
DPEP161932*	1	x	1 3/16	1.0020	1.0030	1.1905	1.1915	2
DPEP162008	1	x	1 1/4	1.0020	1.0030	1.2530	1.2540	1/2
DPEP162012	1	x	1 1/4	1.0020	1.0030	1.2530	1.2540	3/4
DPEP162014*	1	x	1 1/4	1.0020	1.0030	1.2530	1.2540	7/8
DPEP162016	1	x	1 1/4	1.0020	1.0030	1.2530	1.2540	1
DPEP162020	1	x	1 1/4	1.0020	1.0030	1.2530	1.2540	1 1/4
DPEP162022*	1	x	1 1/4	1.0020	1.0030	1.2530	1.2540	1 3/8
DPEP162024	1	x	1 1/4	1.0020	1.0030	1.2530	1.2540	1 1/2
DPEP162028*	1	x	1 1/4	1.0020	1.0030	1.2530	1.2540	1 3/4
DPEP162032	1	x	1 1/4	1.0020	1.0030	1.2530	1.2540	2
DPEP162036	1	x	1 1/4	1.0020	1.0030	1.2530	1.2540	2 1/4
DPEP162040*	1	x	1 1/4	1.0020	1.0030	1.2530	1.2540	2 1/2
DPEP162048	1	x	1 1/4	1.0020	1.0030	1.2530	1.2540	3
DPEP162116*	1	x	1 5/16	1.0020	1.0030	1.3155	1.3165	1
DPEP162120*	1	x	1 5/16	1.0020	1.0030	1.3155	1.3165	1 1/4
DPEP162124*	1	x	1 5/16	1.0020	1.0030	1.3155	1.3165	1 1/2
DPEP162128*	1	x	1 5/16	1.0020	1.0030	1.3155	1.3165	1 3/4
DPEP162132*	1	x	1 5/16	1.0020	1.0030	1.3155	1.3165	2
DPEP162140*	1	x	1 5/16	1.0020	1.0030	1.3155	1.3165	2 1/2
DPEP162148*	1	x	1 5/16	1.0020	1.0030	1.3155	1.3165	3
DPEP162216	1	x	1 3/8	1.0020	1.0030	1.3780	1.3790	1
DPEP162220*	1	x	1 3/8	1.0020	1.0030	1.3780	1.3790	1 1/4
DPEP162224	1	x	1 3/8	1.0020	1.0030	1.3780	1.3790	1 1/2
DPEP162228*	1	x	1 3/8	1.0020	1.0030	1.3780	1.3790	1 3/4
DPEP162232*	1	x	1 3/8	1.0020	1.0030	1.3780	1.3790	2
DPEP162240*	1	x	1 3/8	1.0020	1.0030	1.3780	1.3790	2 1/2
DPEP162416*	1	x	1 1/2	1.0020	1.0030	1.5030	1.5040	1
DPEP162420*	1	x	1 1/2	1.0020	1.0030	1.5030	1.5040	1 1/4
DPEP162424*	1	x	1 1/2	1.0020	1.0030	1.5030	1.5040	1 1/2

*When current inventory is depleted, these sizes will be supplied on special order basis only. Minimum order quantities may apply.

Length Size	Tolerance
-- to 1.495"	±0.005"
1.496" to 2.990"	±0.0075"
2.991" to 4.895"	±0.010"

If you require any further assistance, please call: 419-866-7000
or email: buntinginfo@buntingbearings.com



Powdered Metal Dri-Plane® Sleeve (Plain) Bearings

PART NUMBER	NOMINAL SIZES		I.D. Min.	I.D. Max.	O.D. Min.	O.D. Max.	LENGTH
	I.D.	O.D.					
DPEP162428*	1	x 1 1/2	1.0020	1.0030	1.5030	1.5040	1 3/4
DPEP162432	1	x 1 1/2	1.0020	1.0030	1.5030	1.5040	2
DPEP162440*	1	x 1 1/2	1.0020	1.0030	1.5030	1.5040	2 1/2
DPEP162448	1	x 1 1/2	1.0020	1.0030	1.5030	1.5040	3
DPEP182016*	1 1/8	x 1 1/4	1.1270	1.1280	1.2530	1.2540	1
DPEP182020*	1 1/8	x 1 1/4	1.1270	1.1280	1.2530	1.2540	1 1/4
DPEP182024*	1 1/8	x 1 1/4	1.1270	1.1280	1.2530	1.2540	1 1/2
DPEP182116*	1 1/8	x 1 5/16	1.1270	1.1280	1.3155	1.3165	1
DPEP182120*	1 1/8	x 1 5/16	1.1270	1.1280	1.3155	1.3165	1 1/4
DPEP182124*	1 1/8	x 1 5/16	1.1270	1.1280	1.3155	1.3165	1 1/2
DPEP182128*	1 1/8	x 1 5/16	1.1270	1.1280	1.3155	1.3165	1 3/4
DPEP182132*	1 1/8	x 1 5/16	1.1270	1.1280	1.3155	1.3165	2
DPEP182208*	1 1/8	x 1 3/8	1.1270	1.1280	1.3780	1.3790	1/2
DPEP182212*	1 1/8	x 1 3/8	1.1270	1.1280	1.3780	1.3790	3/4
DPEP182216	1 1/8	x 1 3/8	1.1270	1.1280	1.3780	1.3790	1
DPEP182220*	1 1/8	x 1 3/8	1.1270	1.1280	1.3780	1.3790	1 1/4
DPEP182224	1 1/8	x 1 3/8	1.1270	1.1280	1.3780	1.3790	1 1/2
DPEP182228*	1 1/8	x 1 3/8	1.1270	1.1280	1.3780	1.3790	1 3/4
DPEP182232*	1 1/8	x 1 3/8	1.1270	1.1280	1.3780	1.3790	2
DPEP182240*	1 1/8	x 1 3/8	1.1270	1.1280	1.3780	1.3790	2 1/2
DPEP182248*	1 1/8	x 1 3/8	1.1270	1.1280	1.3780	1.3790	3
DPEP182416*	1 1/8	x 1 1/2	1.1270	1.1280	1.5030	1.5040	1
DPEP182420*	1 1/8	x 1 1/2	1.1270	1.1280	1.5030	1.5040	1 1/4
DPEP182424*	1 1/8	x 1 1/2	1.1270	1.1280	1.5030	1.5040	1 1/2
DPEP182428*	1 1/8	x 1 1/2	1.1270	1.1280	1.5030	1.5040	1 3/4
DPEP182432*	1 1/8	x 1 1/2	1.1270	1.1280	1.5030	1.5040	2
DPEP182440*	1 1/8	x 1 1/2	1.1270	1.1280	1.5030	1.5040	2 1/2
DPEP192320*	1 3/16	x 1 7/16	1.1895	1.1905	1.4405	1.4415	1 1/4
DPEP192324*	1 3/16	x 1 7/16	1.1895	1.1905	1.4405	1.4415	1 1/2
DPEP192332*	1 3/16	x 1 7/16	1.1895	1.1905	1.4405	1.4415	2
DPEP192340*	1 3/16	x 1 7/16	1.1895	1.1905	1.4405	1.4415	2 1/2
DPEP192348*	1 3/16	x 1 7/16	1.1895	1.1905	1.4405	1.4415	3
DPEP192416	1 3/16	x 1 1/2	1.1895	1.1905	1.5030	1.5040	1
DPEP192420*	1 3/16	x 1 1/2	1.1895	1.1905	1.5030	1.5040	1 1/4
DPEP192424*	1 3/16	x 1 1/2	1.1895	1.1905	1.5030	1.5040	1 1/2
DPEP192428*	1 3/16	x 1 1/2	1.1895	1.1905	1.5030	1.5040	1 3/4
DPEP192432	1 3/16	x 1 1/2	1.1895	1.1905	1.5030	1.5040	2
DPEP192440	1 3/16	x 1 1/2	1.1895	1.1905	1.5030	1.5040	2 1/2
DPEP192448*	1 3/16	x 1 1/2	1.1895	1.1905	1.5030	1.5040	3
DPEP202408	1 1/4	x 1 1/2	1.2525	1.2535	1.5030	1.5040	1/2
DPEP202410*	1 1/4	x 1 1/2	1.2525	1.2535	1.5030	1.5040	5/8
DPEP202412	1 1/4	x 1 1/2	1.2525	1.2535	1.5030	1.5040	3/4
DPEP202414*	1 1/4	x 1 1/2	1.2525	1.2535	1.5030	1.5040	7/8
DPEP202416	1 1/4	x 1 1/2	1.2525	1.2535	1.5030	1.5040	1
DPEP202418*	1 1/4	x 1 1/2	1.2525	1.2535	1.5030	1.5040	1 1/8

*When current inventory is depleted, these sizes will be supplied on special order basis only. Minimum order quantities may apply.

Length Size	Tolerance
-- to 1.495"	±0.005"
1.496" to 2.990"	±0.0075"
2.991" to 4.895"	±0.010"



Powdered Metal Dri-Plane® Sleeve (Plain) Bearings

PART NUMBER	NOMINAL SIZES		I.D. Min.	I.D. Max.	O.D. Min.	O.D. Max.	LENGTH
	I.D.	O.D.					
DPEP202420	1 1/4	x 1 1/2	1.2525	1.2535	1.5030	1.5040	1 1/4
DPEP202422*	1 1/4	x 1 1/2	1.2525	1.2535	1.5030	1.5040	1 3/8
DPEP202424	1 1/4	x 1 1/2	1.2525	1.2535	1.5030	1.5040	1 1/2
DPEP202426*	1 1/4	x 1 1/2	1.2525	1.2535	1.5030	1.5040	1 5/8
DPEP202428*	1 1/4	x 1 1/2	1.2525	1.2535	1.5030	1.5040	1 3/4
DPEP202430*	1 1/4	x 1 1/2	1.2525	1.2535	1.5030	1.5040	1 7/8
DPEP202432	1 1/4	x 1 1/2	1.2525	1.2535	1.5030	1.5040	2
DPEP202436*	1 1/4	x 1 1/2	1.2525	1.2535	1.5030	1.5040	2 1/4
DPEP202440	1 1/4	x 1 1/2	1.2525	1.2535	1.5030	1.5040	2 1/2
DPEP202448	1 1/4	x 1 1/2	1.2525	1.2535	1.5030	1.5040	3
DPEP202616*	1 1/4	x 1 5/8	1.2525	1.2535	1.6285	1.6300	1
DPEP202620*	1 1/4	x 1 5/8	1.2525	1.2535	1.6285	1.6300	1 1/4
DPEP202624*	1 1/4	x 1 5/8	1.2525	1.2535	1.6285	1.6300	1 1/2
DPEP202628*	1 1/4	x 1 5/8	1.2525	1.2535	1.6285	1.6300	1 3/4
DPEP202632*	1 1/4	x 1 5/8	1.2525	1.2535	1.6285	1.6300	2
DPEP202640*	1 1/4	x 1 5/8	1.2525	1.2535	1.6285	1.6300	2 1/2
DPEP202648*	1 1/4	x 1 5/8	1.2525	1.2535	1.6285	1.6300	3
DPEP202828*	1 1/4	x 1 3/4	1.2525	1.2535	1.7535	1.7550	1 3/4
DPEP202832*	1 1/4	x 1 3/4	1.2525	1.2535	1.7535	1.7550	2
DPEP202840*	1 1/4	x 1 3/4	1.2525	1.2535	1.7535	1.7550	2 1/2
DPEP202848*	1 1/4	x 1 3/4	1.2525	1.2535	1.7535	1.7550	3
DPEP212620*	1 5/16	x 1 5/8	1.3150	1.3160	1.6285	1.6300	1 1/4
DPEP212624*	1 5/16	x 1 5/8	1.3150	1.3160	1.6285	1.6300	1 1/2
DPEP212632*	1 5/16	x 1 5/8	1.3150	1.3160	1.6285	1.6300	2
DPEP212640*	1 5/16	x 1 5/8	1.3150	1.3160	1.6285	1.6300	2 1/2
DPEP212648*	1 5/16	x 1 5/8	1.3150	1.3160	1.6285	1.6300	3
DPEP222616	1 3/8	x 1 5/8	1.3775	1.3785	1.6285	1.6300	1
DPEP222618*	1 3/8	x 1 5/8	1.3775	1.3785	1.6285	1.6300	1 1/8
DPEP222620*	1 3/8	x 1 5/8	1.3775	1.3785	1.6285	1.6300	1 1/4
DPEP222624	1 3/8	x 1 5/8	1.3775	1.3785	1.6285	1.6300	1 1/2
DPEP222632*	1 3/8	x 1 5/8	1.3775	1.3785	1.6285	1.6300	2
DPEP222640*	1 3/8	x 1 5/8	1.3775	1.3785	1.6285	1.6300	2 1/2
DPEP222648	1 3/8	x 1 5/8	1.3775	1.3785	1.6285	1.6300	3
DPEP222816*	1 3/8	x 1 3/4	1.3775	1.3785	1.7535	1.7550	1
DPEP222824*	1 3/8	x 1 3/4	1.3775	1.3785	1.7535	1.7550	1 1/2
DPEP222832*	1 3/8	x 1 3/4	1.3775	1.3785	1.7535	1.7550	2
DPEP222840*	1 3/8	x 1 3/4	1.3775	1.3785	1.7535	1.7550	2 1/2
DPEP222848*	1 3/8	x 1 3/4	1.3775	1.3785	1.7535	1.7550	3
DPEP232616*	1 7/16	x 1 5/8	1.4400	1.4410	1.6285	1.6300	1
DPEP232624*	1 7/16	x 1 5/8	1.4400	1.4410	1.6285	1.6300	1 1/2
DPEP232632*	1 7/16	x 1 5/8	1.4400	1.4410	1.6285	1.6300	2
DPEP232816*	1 7/16	x 1 3/4	1.4400	1.4410	1.7535	1.7550	1
DPEP232820*	1 7/16	x 1 3/4	1.4400	1.4410	1.7535	1.7550	1 1/4
DPEP232824*	1 7/16	x 1 3/4	1.4400	1.4410	1.7535	1.7550	1 1/2
DPEP232828*	1 7/16	x 1 3/4	1.4400	1.4410	1.7535	1.7550	1 3/4

*When current inventory is depleted, these sizes will be supplied on special order basis only. Minimum order quantities may apply.

Length Size	Tolerance
-- to 1.495"	±0.005"
1.496" to 2.990"	±0.0075"
2.991" to 4.895"	±0.010"

If you require any further assistance, please call: 419-866-7000
or email: buntinginfo@buntingbearings.com



Powdered Metal Dri-Plane® Sleeve (Plain) Bearings

PART NUMBER	NOMINAL SIZES		I.D. Min.	I.D. Max.	O.D. Min.	O.D. Max.	LENGTH
	I.D.	O.D.					
DPEP232832*	1 7/16	x 1 3/4	1.4400	1.4410	1.7535	1.7550	2
DPEP232840*	1 7/16	x 1 3/4	1.4400	1.4410	1.7535	1.7550	2 1/2
DPEP232848*	1 7/16	x 1 3/4	1.4400	1.4410	1.7535	1.7550	3
DPEP242808	1 1/2	x 1 3/4	1.5030	1.5040	1.7535	1.7550	1/2
DPEP242810*	1 1/2	x 1 3/4	1.5030	1.5040	1.7535	1.7550	5/8
DPEP242812*	1 1/2	x 1 3/4	1.5030	1.5040	1.7535	1.7550	3/4
DPEP242814*	1 1/2	x 1 3/4	1.5030	1.5040	1.7535	1.7550	7/8
DPEP242816	1 1/2	x 1 3/4	1.5030	1.5040	1.7535	1.7550	1
DPEP242820*	1 1/2	x 1 3/4	1.5030	1.5040	1.7535	1.7550	1 1/4
DPEP242822*	1 1/2	x 1 3/4	1.5030	1.5040	1.7535	1.7550	1 3/8
DPEP242824	1 1/2	x 1 3/4	1.5030	1.5040	1.7535	1.7550	1 1/2
DPEP242828*	1 1/2	x 1 3/4	1.5030	1.5040	1.7535	1.7550	1 3/4
DPEP242832	1 1/2	x 1 3/4	1.5030	1.5040	1.7535	1.7550	2
DPEP242836*	1 1/2	x 1 3/4	1.5030	1.5040	1.7535	1.7550	2 1/4
DPEP242840*	1 1/2	x 1 3/4	1.5030	1.5040	1.7535	1.7550	2 1/2
DPEP242848	1 1/2	x 1 3/4	1.5030	1.5040	1.7535	1.7550	3
DPEP242916*	1 1/2	x 1 13/16	1.5030	1.5040	1.8160	1.8175	1
DPEP242924*	1 1/2	x 1 13/16	1.5030	1.5040	1.8160	1.8175	1 1/2
DPEP242926*	1 1/2	x 1 13/16	1.5030	1.5040	1.8160	1.8175	1 5/8
DPEP243024*	1 1/2	x 1 7/8	1.5030	1.5040	1.8785	1.8800	1 1/2
DPEP243032	1 1/2	x 1 7/8	1.5030	1.5040	1.8785	1.8800	2
DPEP243040*	1 1/2	x 1 7/8	1.5030	1.5040	1.8785	1.8800	2 1/2
DPEP243044*	1 1/2	x 1 7/8	1.5030	1.5040	1.8785	1.8800	2 3/4
DPEP243048*	1 1/2	x 1 7/8	1.5030	1.5040	1.8785	1.8800	3
DPEP243216*	1 1/2	x 2	1.5030	1.5040	2.0035	2.0050	1
DPEP243224*	1 1/2	x 2	1.5030	1.5040	2.0035	2.0050	1 1/2
DPEP243232	1 1/2	x 2	1.5030	1.5040	2.0035	2.0050	2
DPEP243240*	1 1/2	x 2	1.5030	1.5040	2.0035	2.0050	2 1/2
DPEP243248	1 1/2	x 2	1.5030	1.5040	2.0035	2.0050	3
DPEP243256*	1 1/2	x 2	1.5030	1.5040	2.0035	2.0050	3 1/2
DPEP263020*	1 5/8	x 1 7/8	1.6275	1.6290	1.8785	1.8800	1 1/4
DPEP263024*	1 5/8	x 1 7/8	1.6275	1.6290	1.8785	1.8800	1 1/2
DPEP263028*	1 5/8	x 1 7/8	1.6275	1.6290	1.8785	1.8800	1 3/4
DPEP263032*	1 5/8	x 1 7/8	1.6275	1.6290	1.8785	1.8800	2
DPEP263036*	1 5/8	x 1 7/8	1.6275	1.6290	1.8785	1.8800	2 1/4
DPEP263040*	1 5/8	x 1 7/8	1.6275	1.6290	1.8785	1.8800	2 1/2
DPEP263048*	1 5/8	x 1 7/8	1.6275	1.6290	1.8785	1.8800	3
DPEP263216*	1 5/8	x 2	1.6275	1.6290	2.0035	2.0050	1
DPEP263224*	1 5/8	x 2	1.6275	1.6290	2.0035	2.0050	1 1/2
DPEP263232*	1 5/8	x 2	1.6275	1.6290	2.0035	2.0050	2
DPEP263240*	1 5/8	x 2	1.6275	1.6290	2.0035	2.0050	2 1/2
DPEP263248*	1 5/8	x 2	1.6275	1.6290	2.0035	2.0050	3
DPEP273528*	1 11/16	x 2 3/16	1.6900	1.6915	2.1910	2.1925	1 3/4
DPEP273532*	1 11/16	x 2 3/16	1.6900	1.6915	2.1910	2.1925	2

*When current inventory is depleted, these sizes will be supplied on special order basis only. Minimum order quantities may apply.

Length Size	Tolerance
-- to 1.495"	±0.005"
1.496" to 2.990"	±0.0075"
2.991" to 4.895"	±0.010"



Powdered Metal Dri-Plane® Sleeve (Plain) Bearings

PART NUMBER	NOMINAL SIZES			I.D. Min.	I.D. Max.	O.D. Min.	O.D. Max.	LENGTH
	I.D.		O.D.					
DPEP273548*	1 11/16	x	2 3/16	1.6900	1.6915	2.1910	2.1925	3
DPEP273564*	1 11/16	x	2 3/16	1.6900	1.6915	2.1910	2.1925	4
DPEP283216*	1 3/4	x	2	1.7525	1.7540	2.0035	2.0050	1
DPEP283220*	1 3/4	x	2	1.7525	1.7540	2.0035	2.0050	1 1/4
DPEP283224	1 3/4	x	2	1.7525	1.7540	2.0035	2.0050	1 1/2
DPEP283228*	1 3/4	x	2	1.7525	1.7540	2.0035	2.0050	1 3/4
DPEP283232	1 3/4	x	2	1.7525	1.7540	2.0035	2.0050	2
DPEP283240*	1 3/4	x	2	1.7525	1.7540	2.0035	2.0050	2 1/2
DPEP283248	1 3/4	x	2	1.7525	1.7540	2.0035	2.0050	3
DPEP283424*	1 3/4	x	2 1/8	1.7525	1.7540	2.1285	2.1300	1 1/2
DPEP283432*	1 3/4	x	2 1/8	1.7525	1.7540	2.1285	2.1300	2
DPEP283448*	1 3/4	x	2 1/8	1.7525	1.7540	2.1285	2.1300	3
DPEP313732*	1 15/16	x	2 5/16	1.9400	1.9415	2.3160	2.3175	2
DPEP313740*	1 15/16	x	2 5/16	1.9400	1.9415	2.3160	2.3175	2 1/2
DPEP313748*	1 15/16	x	2 5/16	1.9400	1.9415	2.3160	2.3175	3
DPEP313764*	1 15/16	x	2 5/16	1.9400	1.9415	2.3160	2.3175	4
DPEP323612*	2	x	2 1/4	2.0025	2.0040	2.2535	2.2550	3/4
DPEP323616*	2	x	2 1/4	2.0025	2.0040	2.2535	2.2550	1
DPEP323624*	2	x	2 1/4	2.0025	2.0040	2.2535	2.2550	1 1/2
DPEP323632	2	x	2 1/4	2.0025	2.0040	2.2535	2.2550	2
DPEP323640*	2	x	2 1/4	2.0025	2.0040	2.2535	2.2550	2 1/2
DPEP323648*	2	x	2 1/4	2.0025	2.0040	2.2535	2.2550	3
DPEP323818*	2	x	2 3/8	2.0025	2.0040	2.3785	2.3800	1 1/8
DPEP323824	2	x	2 3/8	2.0025	2.0040	2.3785	2.3800	1 1/2
DPEP323828*	2	x	2 3/8	2.0025	2.0040	2.3785	2.3800	1 3/4
DPEP323832	2	x	2 3/8	2.0025	2.0040	2.3785	2.3800	2
DPEP323840*	2	x	2 3/8	2.0025	2.0040	2.3785	2.3800	2 1/2
DPEP323844*	2	x	2 3/8	2.0025	2.0040	2.3785	2.3800	2 3/4
DPEP323848*	2	x	2 3/8	2.0025	2.0040	2.3785	2.3800	3
DPEP323856*	2	x	2 3/8	2.0025	2.0040	2.3785	2.3800	3 1/2
DPEP323864*	2	x	2 3/8	2.0025	2.0040	2.3785	2.3800	4
DPEP324016*	2	x	2 1/2	2.0025	2.0040	2.5035	2.5050	1
DPEP324024*	2	x	2 1/2	2.0025	2.0040	2.5035	2.5050	1 1/2
DPEP324032	2	x	2 1/2	2.0025	2.0040	2.5035	2.5050	2
DPEP324040	2	x	2 1/2	2.0025	2.0040	2.5035	2.5050	2 1/2
DPEP324048	2	x	2 1/2	2.0025	2.0040	2.5035	2.5050	3
DPEP324056*	2	x	2 1/2	2.0025	2.0040	2.5035	2.5050	3 1/2
DPEP324064*	2	x	2 1/2	2.0025	2.0040	2.5035	2.5050	4
DPEP364232	2 1/4	x	2 5/8	2.2525	2.2540	2.6290	2.6310	2
DPEP364240*	2 1/4	x	2 5/8	2.2525	2.2540	2.6290	2.6310	2 1/2
DPEP364248*	2 1/4	x	2 5/8	2.2525	2.2540	2.6290	2.6310	3
DPEP364432*	2 1/4	x	2 3/4	2.2525	2.2540	2.7540	2.7560	2
DPEP364448	2 1/4	x	2 3/4	2.2525	2.2540	2.7540	2.7560	3
DPEP384432	2 3/8	x	2 3/4	2.3775	2.3790	2.7540	2.7560	2
DPEP384440*	2 3/8	x	2 3/4	2.3775	2.3790	2.7540	2.7560	2 1/2

*When current inventory is depleted, these sizes will be supplied on special order basis only. Minimum order quantities may apply.

Length Size	Tolerance
-- to 1.495"	±0.005"
1.496" to 2.990"	±0.0075"
2.991" to 4.895"	±0.010"

If you require any further assistance, please call: 419-866-7000
or email: buntinginfo@buntingbearings.com



Powdered Metal Dri-Plane® Sleeve (Plain) Bearings

PART NUMBER	NOMINAL SIZES		I.D. Min.	I.D. Max.	O.D. Min.	O.D. Max.	LENGTH
	I.D.	O.D.					
DPEP384448	2 3/8	x 2 3/4	2.3775	2.3790	2.7540	2.7560	3
DPEP404432*	2 1/2	x 2 3/4	2.5035	2.5050	2.7540	2.7560	2
DPEP404448*	2 1/2	x 2 3/4	2.5035	2.5050	2.7540	2.7560	3
DPEP404464*	2 1/2	x 2 3/4	2.5035	2.5050	2.7540	2.7560	4
DPEP404636*	2 1/2	x 2 7/8	2.5035	2.5050	2.8790	2.8810	2 1/4
DPEP404640*	2 1/2	x 2 7/8	2.5035	2.5050	2.8790	2.8810	2 1/2
DPEP404648*	2 1/2	x 2 7/8	2.5035	2.5050	2.8790	2.8810	3
DPEP404832*	2 1/2	x 3	2.5035	2.5050	3.0040	3.0060	2
DPEP404848	2 1/2	x 3	2.5035	2.5050	3.0040	3.0060	3
DPEP404864	2 1/2	x 3	2.5035	2.5050	3.0040	3.0060	4
DPEP445232	2 3/4	x 3 1/4	2.7530	2.7550	3.2540	3.2570	2
DPEP445248	2 3/4	x 3 1/4	2.7530	2.7550	3.2540	3.2570	3
DPEP445264	2 3/4	x 3 1/4	2.7530	2.7550	3.2540	3.2570	4
DPEP485232*	3	x 3 1/4	3.0040	3.0060	3.2540	3.2570	2
DPEP485248*	3	x 3 1/4	3.0040	3.0060	3.2540	3.2570	3
DPEP485632*	3	x 3 1/2	3.0040	3.0060	3.5040	3.5070	2
DPEP485640*	3	x 3 1/2	3.0040	3.0060	3.5040	3.5070	2 1/2
DPEP485648	3	x 3 1/2	3.0040	3.0060	3.5040	3.5070	3
DPEP485664	3	x 3 1/2	3.0040	3.0060	3.5040	3.5070	4
DPEP566432	3 1/2	x 4	3.5040	3.5070	4.0050	4.0080	2
DPEP566448*	3 1/2	x 4	3.5040	3.5070	4.0050	4.0080	3
DPEP566456	3 1/2	x 4	3.5040	3.5070	4.0050	4.0080	3 1/2
DPEP566464	3 1/2	x 4	3.5040	3.5070	4.0050	4.0080	4
DPEP647264*	4	x 4 1/2	4.0050	4.0080	4.5050	4.5090	4

*When current inventory is depleted, these sizes will be supplied on special order basis only. Minimum order quantities may apply.

Length Size	Tolerance
-- to 1.495"	±0.005"
1.496" to 2.990"	±0.0075"
2.991" to 4.895"	±0.010"



Powdered Metal Dri-Plane® Flanged Bearings

PART NUMBER	NOMINAL SIZES		I.D. Min.	I.D. Max.	O.D. Min.	O.D. Max.	LENGTH	FLANGE O.D.	FLANGE THK.
	I.D.	O.D.							
DPEF030503*	3/16	x 5/16	0.1885	0.1895	0.3145	0.3155	3/16	7/16	1/16
DPEF030504	3/16	x 5/16	0.1885	0.1895	0.3145	0.3155	1/4	7/16	1/16
DPEF030505*	3/16	x 5/16	0.1885	0.1895	0.3145	0.3155	5/16	7/16	1/16
DPEF030506*	3/16	x 5/16	0.1885	0.1895	0.3145	0.3155	3/8	7/16	1/16
DPEF030508	3/16	x 5/16	0.1885	0.1895	0.3145	0.3155	1/2	7/16	1/16
DPEF040603*	1/4	x 3/8	0.2510	0.2520	0.3770	0.3780	3/16	1/2	1/16
DPEF040604	1/4	x 3/8	0.2510	0.2520	0.3770	0.3780	1/4	1/2	1/16
DPEF040606	1/4	x 3/8	0.2510	0.2520	0.3770	0.3780	3/8	1/2	1/16
DPEF040607*	1/4	x 3/8	0.2510	0.2520	0.3770	0.3780	7/16	1/2	1/16
DPEF040608	1/4	x 3/8	0.2510	0.2520	0.3770	0.3780	1/2	1/2	1/16
DPEF040610*	1/4	x 3/8	0.2510	0.2520	0.3770	0.3780	5/8	1/2	1/16
DPEF040612	1/4	x 3/8	0.2510	0.2520	0.3770	0.3780	3/4	1/2	1/16
DPEF050706	5/16	x 7/16	0.3135	0.3145	0.4395	0.4405	3/8	9/16	1/16
DPEF050708	5/16	x 7/16	0.3135	0.3145	0.4395	0.4405	1/2	9/16	1/16
DPEF050712	5/16	x 7/16	0.3135	0.3145	0.4395	0.4405	3/4	9/16	1/16
DPEF050806*	5/16	x 1/2	0.3135	0.3145	0.5020	0.5030	3/8	11/16	1/16
DPEF060804	3/8	x 1/2	0.3760	0.3770	0.5020	0.5030	1/4	11/16	1/16
DPEF060806*	3/8	x 1/2	0.3760	0.3770	0.5020	0.5030	3/8	11/16	1/16
DPEF060808	3/8	x 1/2	0.3760	0.3770	0.5020	0.5030	1/2	11/16	1/16
DPEF060812	3/8	x 1/2	0.3760	0.3770	0.5020	0.5030	3/4	11/16	1/16
DPEF060816	3/8	x 1/2	0.3760	0.3770	0.5020	0.5030	1	11/16	1/16
DPEF060908*	3/8	x 9/16	0.3760	0.3770	0.5645	0.5655	1/2	11/16	1/16
DPEF060912*	3/8	x 9/16	0.3760	0.3770	0.5645	0.5655	3/4	11/16	1/16
DPEF061008	3/8	x 5/8	0.3760	0.3770	0.6270	0.6280	1/2	7/8	1/16
DPEF061012	3/8	x 5/8	0.3760	0.3770	0.6270	0.6280	3/4	7/8	1/16
DPEF061016	3/8	x 5/8	0.3760	0.3770	0.6270	0.6280	1	7/8	1/16
DPEF061020*	3/8	x 5/8	0.3760	0.3770	0.6270	0.6280	1 1/4	7/8	1/16
DPEF070908	7/16	x 9/16	0.4385	0.4395	0.5645	0.5655	1/2	11/16	1/16
DPEF070912*	7/16	x 9/16	0.4385	0.4395	0.5645	0.5655	3/4	11/16	1/16
DPEF071012	7/16	x 5/8	0.4385	0.4395	0.6270	0.6280	3/4	7/8	1/8
DPEF071020*	7/16	x 5/8	0.4385	0.4395	0.6270	0.6280	1 1/4	7/8	1/8
DPEF081005*	1/2	x 5/8	0.5010	0.5020	0.6270	0.6280	5/16	7/8	1/8
DPEF081006	1/2	x 5/8	0.5010	0.5020	0.6270	0.6280	3/8	7/8	1/8
DPEF081008	1/2	x 5/8	0.5010	0.5020	0.6270	0.6280	1/2	7/8	1/8
DPEF081010*	1/2	x 5/8	0.5010	0.5020	0.6270	0.6280	5/8	7/8	1/8
DPEF081012	1/2	x 5/8	0.5010	0.5020	0.6270	0.6280	3/4	7/8	1/8
DPEF081016	1/2	x 5/8	0.5010	0.5020	0.6270	0.6280	1	7/8	1/8
DPEF081020*	1/2	x 5/8	0.5010	0.5020	0.6270	0.6280	1 1/4	7/8	1/8
DPEF081024*	1/2	x 5/8	0.5010	0.5020	0.6270	0.6280	1 1/2	7/8	1/8
DPEF081105*	1/2	x 11/16	0.5010	0.5020	0.6895	0.6905	5/16	7/8	1/8
DPEF081108*	1/2	x 11/16	0.5010	0.5020	0.6895	0.6905	1/2	7/8	1/8
DPEF081112*	1/2	x 11/16	0.5010	0.5020	0.6895	0.6905	3/4	7/8	1/8
DPEF081208	1/2	x 3/4	0.5010	0.5020	0.7520	0.7530	1/2	1	1/8
DPEF081210*	1/2	x 3/4	0.5010	0.5020	0.7520	0.7530	5/8	1	1/8
DPEF081212	1/2	x 3/4	0.5010	0.5020	0.7520	0.7530	3/4	1	1/8

*When current inventory is depleted, these sizes will be supplied on special order basis only. Minimum order quantities may apply.

Length Size	Tolerance
-- to 1.495"	±0.005"
1.496" to 2.990"	±0.0075"
2.991" to 4.895"	±0.010"

Flange O.D. Size	Flange O.D. Tolerance
0 to 1.5"	±0.005"
Over 1.5" to 3"	±0.010"
Over 3" to 6"	±0.025"

Flange O.D. Size	Flange Thickness Tolerance
0 to 1.5"	±0.005"
Over 1.5" to 3"	±0.010"
Over 3" to 6"	±0.015"

If you require any further assistance, please call: 419-866-7000
or email: buntinginfo@buntingbearings.com



Powdered Metal Dri-Plane® Flanged Bearings

PART NUMBER	NOMINAL SIZES		I.D. Min.	I.D. Max.	O.D. Min.	O.D. Max.	LENGTH	FLANGE O.D.	FLANGE THK.
	I.D.	O.D.							
DPEF081216	1/2	x 3/4	0.5010	0.5020	0.7520	0.7530	1	1	1/8
DPEF081220*	1/2	x 3/4	0.5010	0.5020	0.7520	0.7530	1 1/4	1	1/8
DPEF101210	5/8	x 3/4	0.6260	0.6270	0.7520	0.7530	5/8	1	1/8
DPEF101212	5/8	x 3/4	0.6260	0.6270	0.7520	0.7530	3/4	1	1/8
DPEF101216	5/8	x 3/4	0.6260	0.6270	0.7520	0.7530	1	1	1/8
DPEF101218*	5/8	x 3/4	0.6260	0.6270	0.7520	0.7530	1 1/8	1	1/8
DPEF101312*	5/8	x 13/16	0.6260	0.6270	0.8155	0.8165	3/4	1	1/8
DPEF101316*	5/8	x 13/16	0.6260	0.6270	0.8155	0.8165	1	1	1/8
DPEF101320*	5/8	x 13/16	0.6260	0.6270	0.8155	0.8165	1 1/4	1	1/8
DPEF101324*	5/8	x 13/16	0.6260	0.6270	0.8155	0.8165	1 1/2	1	1/8
DPEF101408	5/8	x 7/8	0.6260	0.6270	0.8780	0.8790	1/2	1 1/8	1/8
DPEF101410	5/8	x 7/8	0.6260	0.6270	0.8780	0.8790	5/8	1 1/8	1/8
DPEF101412	5/8	x 7/8	0.6260	0.6270	0.8780	0.8790	3/4	1 1/8	1/8
DPEF101416	5/8	x 7/8	0.6260	0.6270	0.8780	0.8790	1	1 1/8	1/8
DPEF101420	5/8	x 7/8	0.6260	0.6270	0.8780	0.8790	1 1/4	1 1/8	1/8
DPEF101616*	5/8	x 1	0.6260	0.6270	1.0030	1.0040	1	1 1/4	3/16
DPEF121408	3/4	x 7/8	0.7510	0.7520	0.8780	0.8790	1/2	1 1/8	1/8
DPEF121412	3/4	x 7/8	0.7510	0.7520	0.8780	0.8790	3/4	1 1/8	1/8
DPEF121509*	3/4	x 15/16	0.7510	0.7520	0.9405	0.9415	9/16	1 1/4	1/8
DPEF121512*	3/4	x 15/16	0.7510	0.7520	0.9405	0.9415	3/4	1 1/4	1/8
DPEF121516*	3/4	x 15/16	0.7510	0.7520	0.9405	0.9415	1	1 1/4	1/8
DPEF121518*	3/4	x 15/16	0.7510	0.7520	0.9405	0.9415	1 1/8	1 1/4	1/8
DPEF121520*	3/4	x 15/16	0.7510	0.7520	0.9405	0.9415	1 1/4	1 1/4	1/8
DPEF121524*	3/4	x 15/16	0.7510	0.7520	0.9405	0.9415	1 1/2	1 1/4	1/8
DPEF121610	3/4	x 1	0.7510	0.7520	1.0030	1.0040	5/8	1 1/4	3/16
DPEF121612	3/4	x 1	0.7510	0.7520	1.0030	1.0040	3/4	1 1/4	3/16
DPEF121616	3/4	x 1	0.7510	0.7520	1.0030	1.0040	1	1 1/4	3/16
DPEF121618*	3/4	x 1	0.7510	0.7520	1.0030	1.0040	1 1/8	1 1/4	3/16
DPEF121620	3/4	x 1	0.7510	0.7520	1.0030	1.0040	1 1/4	1 1/4	3/16
DPEF121624	3/4	x 1	0.7510	0.7520	1.0030	1.0040	1 1/2	1 1/4	3/16
DPEF141608*	7/8	x 1	0.8760	0.8770	1.0030	1.0040	1/2	1 1/4	3/16
DPEF141612*	7/8	x 1	0.8760	0.8770	1.0030	1.0040	3/4	1 1/4	3/16
DPEF141616*	7/8	x 1	0.8760	0.8770	1.0030	1.0040	1	1 1/4	3/16
DPEF141812	7/8	x 1 1/8	0.8760	0.8770	1.1280	1.1290	3/4	1 1/2	1/8
DPEF141816	7/8	x 1 1/8	0.8760	0.8770	1.1280	1.1290	1	1 1/2	1/8
DPEF141820	7/8	x 1 1/8	0.8760	0.8770	1.1280	1.1290	1 1/4	1 1/2	1/8
DPEF141824*	7/8	x 1 1/8	0.8760	0.8770	1.1280	1.1290	1 1/2	1 1/2	1/8
DPEF141828	7/8	x 1 1/8	0.8760	0.8770	1.1280	1.1290	1 3/4	1 1/2	1/8
DPEF162012	1	x 1 1/4	1.0020	1.0030	1.2530	1.2540	3/4	1 1/2	1/8
DPEF162016	1	x 1 1/4	1.0020	1.0030	1.2530	1.2540	1	1 1/2	1/8
DPEF162020	1	x 1 1/4	1.0020	1.0030	1.2530	1.2540	1 1/4	1 1/2	1/8
DPEF162024	1	x 1 1/4	1.0020	1.0030	1.2530	1.2540	1 1/2	1 1/2	1/8
DPEF162212*	1	x 1 3/8	1.0020	1.0030	1.3780	1.3790	3/4	1 5/8	3/16
DPEF162216*	1	x 1 3/8	1.0020	1.0030	1.3780	1.3790	1	1 5/8	3/16

*When current inventory is depleted, these sizes will be supplied on special order basis only. Minimum order quantities may apply.

Length Size	Tolerance
-- to 1.495".....	±0.005"
1.496" to 2.990".....	±0.0075"
2.991" to 4.895".....	±0.010"

Flange O.D. Size	Flange O.D. Tolerance
0 to 1.5"	±0.005"
Over 1.5" to 3"	±0.010"
Over 3" to 6"	±0.025"

Flange O.D. Size	Flange Thickness Tolerance
0 to 1.5"	±0.005"
Over 1.5" to 3"	±0.010"
Over 3" to 6"	±0.015"



Powdered Metal Dri-Plane® Flanged Bearings

PART NUMBER	NOMINAL SIZES		I.D. Min.	I.D. Max.	O.D. Min.	O.D. Max.	LENGTH	FLANGE O.D.	FLANGE THK.
	I.D.	O.D.							
DPEF162224*	1	x 1 3/8	1.0020	1.0030	1.3780	1.3790	1 1/2	1 5/8	3/16
DPEF162228*	1	x 1 3/8	1.0020	1.0030	1.3780	1.3790	1 3/4	1 5/8	3/16
DPEF162232*	1	x 1 3/8	1.0020	1.0030	1.3780	1.3790	2	1 5/8	3/16
DPEF202416	1 1/4	x 1 1/2	1.2525	1.2535	1.5030	1.5040	1	1 3/4	3/16
DPEF202420	1 1/4	x 1 1/2	1.2525	1.2535	1.5030	1.5040	1 1/4	1 3/4	3/16
DPEF202424	1 1/4	x 1 1/2	1.2525	1.2535	1.5030	1.5040	1 1/2	1 3/4	3/16
DPEF202428*	1 1/4	x 1 1/2	1.2525	1.2535	1.5030	1.5040	1 3/4	1 3/4	3/16
DPEF242824	1 1/2	x 1 3/4	1.5030	1.5040	1.7535	1.7550	1 1/2	2	3/16
DPEF263232*	1 5/8	x 2	1.6275	1.6290	2.0035	2.0050	2	2 1/4	3/16
DPEF283640	1 3/4	x 2 1/4	1.7525	1.7540	2.2535	2.2550	2 1/2	3	1/4
DPEF323632*	2	x 2 1/4	2.0025	2.0040	2.2535	2.2550	2	2 1/2	1/8

*When current inventory is depleted, these sizes will be supplied on special order basis only. Minimum order quantities may apply.

Length Size	Tolerance
-- to 1.495"	±0.005"
1.496" to 2.990"	±0.0075"
2.991" to 4.895"	±0.010"

Flange O.D. Size	Flange O.D. Tolerance
0 to 1.5"	±0.005"
Over 1.5" to 3"	±0.010"
Over 3" to 6"	±0.025"

Flange O.D. Size	Flange Thickness Tolerance
0 to 1.5"	±0.005"
Over 1.5" to 3"	±0.010"
Over 3" to 6"	±0.015"

If you require any further assistance, please call: 419-866-7000
or email: buntinginfo@buntingbearings.com



Powdered Metal Dri-Plane® Thrust Washers

PART NUMBER	NOMINAL SIZES			I.D.	I.D. Max.	O.D. Min.	O.D. Max.	LENGTH/ THICKNESS ±0.005"
	I.D.		O.D.					
DPEW041001	1/4	x	5/8	0.2520	0.2560	0.6230	0.6330	1/16
DPEW051201*	5/16	x	3/4	0.3145	0.3185	0.7480	0.7580	1/16
DPEW061201	3/8	x	3/4	0.3770	0.3810	0.7480	0.7580	1/16
DPEW061202	3/8	x	3/4	0.3770	0.3810	0.7480	0.7580	1/8
DPEW071201*	7/16	x	3/4	0.4395	0.4435	0.7480	0.7580	1/16
DPEW081201	1/2	x	3/4	0.5020	0.5060	0.7480	0.7580	1/16
DPEW081601	1/2	x	1	0.5020	0.5060	0.9990	1.0090	1/16
DPEW081601.5	1/2	x	1	0.5020	0.5060	0.9990	1.0090	3/32
DPEW081602	1/2	x	1	0.5020	0.5060	0.9990	1.0090	1/8
DPEW092001	9/16	x	1 1/4	0.5645	0.5685	1.2490	1.2590	1/16
DPEW092002	9/16	x	1 1/4	0.5645	0.5685	1.2490	1.2590	1/8
DPEW101601	5/8	x	1	0.6270	0.6310	0.9990	1.0090	1/16
DPEW101602	5/8	x	1	0.6270	0.6310	0.9990	1.0090	1/8
DPEW101901*	5/8	x	1 3/16	0.6270	0.6310	1.1865	1.1965	1/16
DPEW101902	5/8	x	1 3/16	0.6270	0.6310	1.1865	1.1965	3/32
DPEW101903	5/8	x	1 3/16	0.6270	0.6310	1.1865	1.1965	1/8
DPEW102001	5/8	x	1 1/4	0.6270	0.6310	1.2490	1.2590	1/16
DPEW102002*	5/8	x	1 1/4	0.6270	0.6310	1.2490	1.2590	1/8
DPEW122001	3/4	x	1 1/4	0.7520	0.7560	1.2490	1.2590	1/16
DPEW122002	3/4	x	1 1/4	0.7520	0.7560	1.2490	1.2590	1/8
DPEW122202	3/4	x	1 3/8	0.7520	0.7560	1.3740	1.3840	1/8
DPEW122502	3/4	x	1 9/16	0.7520	0.7560	1.5575	1.5775	3/32
DPEW122802	3/4	x	1 3/4	0.7520	0.7560	1.7450	1.7650	1/8
DPEW142401	7/8	x	1 1/2	0.8770	0.8810	1.4990	1.5090	1/16
DPEW142402	7/8	x	1 1/2	0.8770	0.8810	1.4990	1.5090	1/8
DPEW162401	1	x	1 1/2	1.0030	1.0070	1.4990	1.5090	1/16
DPEW162402	1	x	1 1/2	1.0030	1.0070	1.4990	1.5090	1/8
DPEW162601*	1	x	1 5/8	1.0030	1.0070	1.6200	1.6400	1/16
DPEW162602*	1	x	1 5/8	1.0030	1.0070	1.6200	1.6400	1/8
DPEW162604*	1	x	1 5/8	1.0030	1.0070	1.6200	1.6400	1/4
DPEW163202	1	x	2	1.0030	1.0070	1.9950	2.0150	1/8
DPEW163203*	1	x	2	1.0030	1.0070	1.9950	2.0150	3/16
DPEW202702*	1 1/4	x	1 11/16	1.2535	1.2575	1.6825	1.7025	1/8
DPEW203201	1 1/4	x	2	1.2535	1.2575	1.9950	2.0150	1/16
DPEW203202	1 1/4	x	2	1.2535	1.2575	1.9950	2.0150	1/8
DPEW244002	1 1/2	x	2 1/2	1.5040	1.5080	2.4950	2.5150	1/8
DPEW245603	1 1/2	x	3 1/2	1.5040	1.5080	3.4820	3.5320	3/16
DPEW284202	1 3/4	x	2 5/8	1.7540	1.7600	2.6210	2.6410	1/8
DPEW324802	2	x	3	2.0040	2.0100	2.9960	3.0160	1/8
DPEW324804*	2	x	3	2.0040	2.0100	2.9960	3.0160	1/4

*When current inventory is depleted, these sizes will be supplied on special order basis only. Minimum order quantities may apply.

Bunting BB-16® Bearings

Bunting BB-16® is a self-lubricating, powdered metal bearing material typically used for heavily loaded applications. This bearing material has excellent compressive strength, wearability and is shock resistant.

This bearing is heat treated to a spec of HRB 70 min. and oil impregnated with an extreme pressure oil.

Temperature range: +10°F/+220°F

Typical Uses

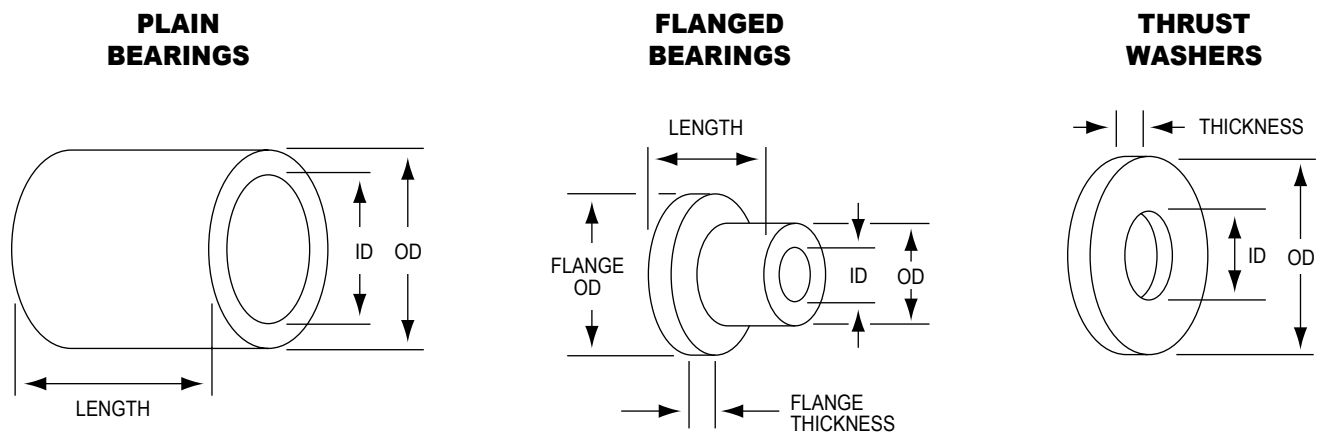
- Off-road equipment
- Backhoes, graders, and earth-moving equipment
- Escalators
- Automotive and railroad applications
- Heavily loaded applications

Typical Properties: (Not to be used for specification purposes.)

Copper.....	18.00 – 22.00%
Iron	75.10 – 81.40%
Carbon.....	0.60 – 1.00%
Other (max.)	0.00 – 2.00%

Physical and Mechanical Properties

Density (gm per cu. cm)	6.0 – 6.5
Porosity (% oil by vol.)	18.0 min.
“K” Srength Constant	62,000 psi
Elongation (% in one inch)	0.1
Tensile Strength (psi)	55,000
Yield Strength in Comp. (psi)	50,000
Apparent Hardness (Rockwell B)	70 min.
Particle Hardness (Rockwell C)	55
Recommended Shaft Hardness	Rc-60





Powdered Metal BB-16® Sleeve (Plain) Bearings

PART NUMBER	NOMINAL SIZES			I.D. Min.	I.D. Max.	O.D. Min.	O.D. Max.	LENGTH ±0.010"
	I.D.		O.D.					
BBEP121408	3/4	x	7/8	0.7510	0.7530	0.8770	0.8790	1/2
BBEP121410*	3/4	x	7/8	0.7510	0.7530	0.8770	0.8790	5/8
BBEP121412	3/4	x	7/8	0.7510	0.7530	0.8770	0.8790	3/4
BBEP121414*	3/4	x	7/8	0.7510	0.7530	0.8770	0.8790	7/8
BBEP121416	3/4	x	7/8	0.7510	0.7530	0.8770	0.8790	1
BBEP121420*	3/4	x	7/8	0.7510	0.7530	0.8770	0.8790	1 1/4
BBEP121424*	3/4	x	7/8	0.7510	0.7530	0.8770	0.8790	1 1/2
BBEP121508	3/4	x	15/16	0.7510	0.7530	0.9395	0.9415	1/2
BBEP121512*	3/4	x	15/16	0.7510	0.7530	0.9395	0.9415	3/4
BBEP121608	3/4	x	1	0.7510	0.7530	1.0020	1.0040	1/2
BBEP121610*	3/4	x	1	0.7510	0.7530	1.0020	1.0040	5/8
BBEP121612	3/4	x	1	0.7510	0.7530	1.0020	1.0040	3/4
BBEP121614*	3/4	x	1	0.7510	0.7530	1.0020	1.0040	7/8
BBEP121616	3/4	x	1	0.7510	0.7530	1.0020	1.0040	1
BBEP121618*	3/4	x	1	0.7510	0.7530	1.0020	1.0040	1 1/8
BBEP121620	3/4	x	1	0.7510	0.7530	1.0020	1.0040	1 1/4
BBEP121624	3/4	x	1	0.7510	0.7530	1.0020	1.0040	1 1/2
BBEP121628*	3/4	x	1	0.7510	0.7530	1.0020	1.0040	1 3/4
BBEP121632	3/4	x	1	0.7510	0.7530	1.0020	1.0040	2
BBEP121640*	3/4	x	1	0.7510	0.7530	1.0020	1.0040	2 1/2
BBEP121812	3/4	x	1 1/8	0.7510	0.7530	1.1270	1.1290	3/4
BBEP121816*	3/4	x	1 1/8	0.7510	0.7530	1.1270	1.1290	1
BBEP121824*	3/4	x	1 1/8	0.7510	0.7530	1.1270	1.1290	1 1/2
BBEP122016*	3/4	x	1 1/4	0.7510	0.7530	1.2520	1.2540	1
BBEP122024*	3/4	x	1 1/4	0.7510	0.7530	1.2520	1.2540	1 1/2
BBEP141610	7/8	x	1	0.8760	0.8780	1.0020	1.0040	5/8
BBEP141612*	7/8	x	1	0.8760	0.8780	1.0020	1.0040	3/4
BBEP141614*	7/8	x	1	0.8760	0.8780	1.0020	1.0040	7/8
BBEP141616	7/8	x	1	0.8760	0.8780	1.0020	1.0040	1
BBEP141624*	7/8	x	1	0.8760	0.8780	1.0020	1.0040	1 1/2
BBEP141628*	7/8	x	1	0.8760	0.8780	1.0020	1.0040	1 3/4
BBEP141720*	7/8	x	1 1/16	0.8760	0.8780	1.0645	1.0665	1 1/4
BBEP141812*	7/8	x	1 1/8	0.8760	0.8780	1.1270	1.1290	3/4
BBEP141816*	7/8	x	1 1/8	0.8760	0.8780	1.1270	1.1290	1
BBEP141820*	7/8	x	1 1/8	0.8760	0.8780	1.1270	1.1290	1 1/4
BBEP141824*	7/8	x	1 1/8	0.8760	0.8780	1.1270	1.1290	1 1/2
BBEP142016	7/8	x	1 1/4	0.8760	0.8780	1.2520	1.2540	1
BBEP161812	1	x	1 1/8	1.0010	1.0030	1.1270	1.1290	3/4
BBEP161816*	1	x	1 1/8	1.0010	1.0030	1.1270	1.1290	1
BBEP161820*	1	x	1 1/8	1.0010	1.0030	1.1270	1.1290	1 1/4
BBEP161824	1	x	1 1/8	1.0010	1.0030	1.1270	1.1290	1 1/2
BBEP161832*	1	x	1 1/8	1.0010	1.0030	1.1270	1.1290	2
BBEP161932*	1	x	1 3/16	1.0010	1.0030	1.1895	1.1915	2
BBEP162008*	1	x	1 1/4	1.0010	1.0030	1.2520	1.2540	1/2

*When current inventory is depleted, these sizes will be supplied on special order basis only. Minimum order quantities may apply.



Powdered Metal BB-16® Sleeve (Plain) Bearings

PART NUMBER	NOMINAL SIZES		I.D. Min.	I.D. Max.	O.D. Min.	O.D. Max.	LENGTH ±0.010"	
	I.D.	O.D.						
BBEP162012	1	x	1 1/4	1.0010	1.0030	1.2520	1.2540	3/4
BBEP162014*	1	x	1 1/4	1.0010	1.0030	1.2520	1.2540	7/8
BBEP162016	1	x	1 1/4	1.0010	1.0030	1.2520	1.2540	1
BBEP162020	1	x	1 1/4	1.0010	1.0030	1.2520	1.2540	1 1/4
BBEP162022*	1	x	1 1/4	1.0010	1.0030	1.2520	1.2540	1 3/8
BBEP162024	1	x	1 1/4	1.0010	1.0030	1.2520	1.2540	1 1/2
BBEP162028*	1	x	1 1/4	1.0010	1.0030	1.2520	1.2540	1 3/4
BBEP162032*	1	x	1 1/4	1.0010	1.0030	1.2520	1.2540	2
BBEP162036*	1	x	1 1/4	1.0010	1.0030	1.2520	1.2540	2 1/4
BBEP162040	1	x	1 1/4	1.0010	1.0030	1.2520	1.2540	2 1/2
BBEP162048	1	x	1 1/4	1.0010	1.0030	1.2520	1.2540	3
BBEP162132*	1	x	1 5/16	1.0010	1.0030	1.3145	1.3165	2
BBEP162216*	1	x	1 3/8	1.0010	1.0030	1.3770	1.3790	1
BBEP162220*	1	x	1 3/8	1.0010	1.0030	1.3770	1.3790	1 1/4
BBEP162224*	1	x	1 3/8	1.0010	1.0030	1.3770	1.3790	1 1/2
BBEP162232*	1	x	1 3/8	1.0010	1.0030	1.3770	1.3790	2
BBEP162240*	1	x	1 3/8	1.0010	1.0030	1.3770	1.3790	2 1/2
BBEP162416*	1	x	1 1/2	1.0010	1.0030	1.5020	1.5040	1
BBEP162420*	1	x	1 1/2	1.0010	1.0030	1.5020	1.5040	1 1/4
BBEP162424*	1	x	1 1/2	1.0010	1.0030	1.5020	1.5040	1 1/2
BBEP162432*	1	x	1 1/2	1.0010	1.0030	1.5020	1.5040	2
BBEP182016	1 1/8	x	1 1/4	1.1260	1.1280	1.2520	1.2540	1
BBEP182020	1 1/8	x	1 1/4	1.1260	1.1280	1.2520	1.2540	1 1/4
BBEP182216	1 1/8	x	1 3/8	1.1260	1.1280	1.3770	1.3790	1
BBEP182232*	1 1/8	x	1 3/8	1.1260	1.1280	1.3770	1.3790	2
BBEP192420*	1 3/16	x	1 1/2	1.1885	1.1905	1.5020	1.5040	1 1/4
BBEP202408	1 1/4	x	1 1/2	1.2510	1.2530	1.5020	1.5040	1/2
BBEP202410*	1 1/4	x	1 1/2	1.2510	1.2530	1.5020	1.5040	5/8
BBEP202412*	1 1/4	x	1 1/2	1.2510	1.2530	1.5020	1.5040	3/4
BBEP202416	1 1/4	x	1 1/2	1.2510	1.2530	1.5020	1.5040	1
BBEP202420*	1 1/4	x	1 1/2	1.2510	1.2530	1.5020	1.5040	1 1/4
BBEP202424*	1 1/4	x	1 1/2	1.2510	1.2530	1.5020	1.5040	1 1/2
BBEP202432	1 1/4	x	1 1/2	1.2510	1.2530	1.5020	1.5040	2
BBEP202436*	1 1/4	x	1 1/2	1.2510	1.2530	1.5020	1.5040	2 1/4
BBEP202440	1 1/4	x	1 1/2	1.2510	1.2530	1.5020	1.5040	2 1/2
BBEP202624*	1 1/4	x	1 5/8	1.2510	1.2530	1.6270	1.6290	1 1/2
BBEP222616	1 3/8	x	1 5/8	1.3760	1.3780	1.6270	1.6290	1
BBEP222620*	1 3/8	x	1 5/8	1.3760	1.3780	1.6270	1.6290	1 1/4
BBEP222624	1 3/8	x	1 5/8	1.3760	1.3780	1.6270	1.6290	1 1/2
BBEP222632*	1 3/8	x	1 5/8	1.3760	1.3780	1.6270	1.6290	2
BBEP222816	1 3/8	x	1 3/4	1.3760	1.3780	1.7520	1.7540	1
BBEP232832*	1 7/16	x	1 3/4	1.4385	1.4405	1.7520	1.7540	2
BBEP242810	1 1/2	x	1 3/4	1.5010	1.5030	1.7520	1.7540	5/8
BBEP242812*	1 1/2	x	1 3/4	1.5010	1.5030	1.7520	1.7540	3/4

*When current inventory is depleted, these sizes will be supplied on special order basis only. Minimum order quantities may apply.



Powdered Metal BB-16® Sleeve (Plain) Bearings

PART NUMBER	NOMINAL SIZES		I.D. Min.	I.D. Max.	O.D. Min.	O.D. Max.	LENGTH ±0.010"
	I.D.	O.D.					
BBEP242816	1 1/2	x 1 3/4	1.5010	1.5030	1.7520	1.7540	1
BBEP242822*	1 1/2	x 1 3/4	1.5010	1.5030	1.7520	1.7540	1 3/8
BBEP242824	1 1/2	x 1 3/4	1.5010	1.5030	1.7520	1.7540	1 1/2
BBEP242828*	1 1/2	x 1 3/4	1.5010	1.5030	1.7520	1.7540	1 3/4
BBEP242832	1 1/2	x 1 3/4	1.5010	1.5030	1.7520	1.7540	2
BBEP242836*	1 1/2	x 1 3/4	1.5010	1.5030	1.7520	1.7540	2 1/4
BBEP242848*	1 1/2	x 1 3/4	1.5010	1.5030	1.7520	1.7540	3
BBEP243024*	1 1/2	x 1 7/8	1.5010	1.5030	1.8770	1.8790	1 1/2
BBEP243032*	1 1/2	x 1 7/8	1.5010	1.5030	1.8770	1.8790	2
BBEP243216*	1 1/2	x 2	1.5010	1.5030	2.0020	2.0040	1
BBEP243224	1 1/2	x 2	1.5010	1.5030	2.0020	2.0040	1 1/2
BBEP243232*	1 1/2	x 2	1.5010	1.5030	2.0020	2.0040	2
BBEP243240	1 1/2	x 2	1.5010	1.5030	2.0020	2.0040	2 1/2
BBEP263032	1 5/8	x 1 7/8	1.6260	1.6280	1.8770	1.8790	2
BBEP283216	1 3/4	x 2	1.7510	1.7530	2.0020	2.0040	1
BBEP283224*	1 3/4	x 2	1.7510	1.7530	2.0020	2.0040	1 1/2
BBEP283232*	1 3/4	x 2	1.7510	1.7530	2.0020	2.0040	2
BBEP283240	1 3/4	x 2	1.7510	1.7530	2.0020	2.0040	2 1/2
BBEP283432	1 3/4	x 2 1/8	1.7510	1.7530	2.1270	2.1290	2
BBEP323616	2	x 2 1/4	2.0010	2.0030	2.2520	2.2540	1
BBEP323624*	2	x 2 1/4	2.0010	2.0030	2.2520	2.2540	1 1/2
BBEP323632	2	x 2 1/4	2.0010	2.0030	2.2520	2.2540	2
BBEP323824*	2	x 2 3/8	2.0010	2.0030	2.3770	2.3790	1 1/2
BBEP324032*	2	x 2 1/2	2.0010	2.0030	2.5020	2.5040	2
BBEP324048*	2	x 2 1/2	2.0010	2.0030	2.5020	2.5040	3
BBEP364232*	2 1/4	x 2 5/8	2.2510	2.2530	2.6270	2.6290	2
BBEP364432*	2 1/4	x 2 3/4	2.2510	2.2530	2.7520	2.7540	2
BBEP364448*	2 1/4	x 2 3/4	2.2510	2.2530	2.7520	2.7540	3
BBEP404832*	2 1/2	x 3	2.5010	2.5030	3.0020	3.0040	2
BBEP404848*	2 1/2	x 3	2.5010	2.5030	3.0020	3.0040	3
BBEP485248*	3	x 3 1/4	3.0010	3.0030	3.2520	3.2540	3
BBEP485632*	3	x 3 1/2	3.0010	3.0030	3.5020	3.5040	2
BBEP485648	3	x 3 1/2	3.0010	3.0030	3.5020	3.5040	3
BBEP485664*	3	x 3 1/2	3.0010	3.0030	3.5020	3.5040	4

*When current inventory is depleted, these sizes will be supplied on special order basis only. Minimum order quantities may apply.



Powdered Metal BB-16® Flanged Bearings

PART NUMBER	NOMINAL SIZES		I.D. Min.	I.D. Max.	O.D. Min.	O.D. Max.	LENGTH ±0.010"	FLANGE O.D.	FLANGE THK.
	I.D.	O.D.							
BBEF121408	3/4	x 7/8	0.7510	0.7530	0.8770	0.8790	1/2	1 1/8	1/8
BBEF121412*	3/4	x 7/8	0.7510	0.7530	0.8770	0.8790	3/4	1 1/8	1/8
BBEF121512*	3/4	x 15/16	0.7510	0.7530	0.9395	0.9415	3/4	1 1/4	1/8
BBEF121516*	3/4	x 15/16	0.7510	0.7530	0.9395	0.9415	1	1 1/4	1/8
BBEF121610*	3/4	x 1	0.7510	0.7530	1.0020	1.0040	5/8	1 1/4	3/16
BBEF121612	3/4	x 1	0.7510	0.7530	1.0020	1.0040	3/4	1 1/4	3/16
BBEF121616	3/4	x 1	0.7510	0.7530	1.0020	1.0040	1	1 1/4	3/16
BBEF121618*	3/4	x 1	0.7510	0.7530	1.0020	1.0040	1 1/8	1 1/4	3/16
BBEF121620	3/4	x 1	0.7510	0.7530	1.0020	1.0040	1 1/4	1 1/4	3/16
BBEF121624	3/4	x 1	0.7510	0.7530	1.0020	1.0040	1 1/2	1 1/4	3/16
BBEF141608*	7/8	x 1	0.8760	0.8780	1.0020	1.0040	1/2	1 1/4	3/16
BBEF141812*	7/8	x 1 1/8	0.8760	0.8780	1.1270	1.1290	3/4	1 1/2	1/8
BBEF141816*	7/8	x 1 1/8	0.8760	0.8780	1.1270	1.1290	1	1 1/2	1/8
BBEF162012	1	x 1 1/4	1.0010	1.0030	1.2520	1.2540	3/4	1 1/2	1/8
BBEF162016	1	x 1 1/4	1.0010	1.0030	1.2520	1.2540	1	1 1/2	1/8
BBEF162020*	1	x 1 1/4	1.0010	1.0030	1.2520	1.2540	1 1/4	1 1/2	1/8
BBEF162024	1	x 1 1/4	1.0010	1.0030	1.2520	1.2540	1 1/2	1 1/2	1/8
BBEF162212	1	x 1 3/8	1.0010	1.0030	1.3770	1.3790	3/4	1 5/8	3/16
BBEF162216	1	x 1 3/8	1.0010	1.0030	1.3770	1.3790	1	1 5/8	3/16
BBEF162224*	1	x 1 3/8	1.0010	1.0030	1.3770	1.3790	1 1/2	1 5/8	3/16
BBEF202416	1 1/4	x 1 1/2	1.2510	1.2530	1.5020	1.5040	1	1 3/4	3/16
BBEF202420*	1 1/4	x 1 1/2	1.2510	1.2530	1.5020	1.5040	1 1/4	1 3/4	3/16
BBEF202424	1 1/4	x 1 1/2	1.2510	1.2530	1.5020	1.5040	1 1/2	1 3/4	3/16
BBEF202428	1 1/4	x 1 1/2	1.2510	1.2530	1.5020	1.5040	1 3/4	1 3/4	3/16
BBEF242824	1 1/2	x 1 3/4	1.5010	1.5030	1.7520	1.7540	1 1/2	2	3/16
BBEF263232	1 5/8	x 2	1.6260	1.6280	2.0020	2.0040	2	2 1/4	3/16
BBEF283640	1 3/4	x 2 1/4	1.7510	1.7530	2.2520	2.2540	2 1/2	3	1/4
BBEF323632	2	x 2 1/4	2.0010	2.0030	2.2520	2.2540	2	2 1/2	1/8

*When current inventory is depleted, these sizes will be supplied on special order basis only. Minimum order quantities may apply.

Flange O.D. Size	Flange O.D. Tolerance
0 to 1.5"	±0.005"
Over 1.5" to 3"	±0.010"
Over 3" to 6"	±0.025"

Flange O.D. Size	Flange Thickness Tolerance
0 to 1.5"	±0.005"
Over 1.5" to 3"	±0.010"
Over 3" to 6"	±0.015"

If you require any further assistance, please call: 419-866-7000
or email: buntinginfo@buntingbearings.com



Powdered Metal BB-16® Thrust Washers

PART NUMBER	NOMINAL SIZES			I.D. Min.	I.D. Max.	O.D. Min.	O.D. Max.	LENGTH/ THICKNESS ±0.010"
	I.D.		O.D.					
BBTW008020002	1/4	x	5/8	0.2520	0.2560	0.6230	0.6330	1/16
BBTW012024002	3/8	x	3/4	0.3770	0.3810	0.7480	0.7580	1/16
BBTW012024004	3/8	x	3/4	0.3770	0.3810	0.7480	0.7580	1/8
BBTW016024002	1/2	x	3/4	0.5020	0.5060	0.7480	0.7580	1/16
BBTW016032002	1/2	x	1	0.5020	0.5060	0.9990	1.0090	1/16
BBTW016032003	1/2	x	1	0.5020	0.5060	0.9990	1.0090	3/32
BBTW016032004	1/2	x	1	0.5020	0.5060	0.9990	1.0090	1/8
BBTW018040002	9/16	x	1 1/4	0.5645	0.5685	1.2490	1.2590	1/16
BBTW018040004	9/16	x	1 1/4	0.5645	0.5685	1.2490	1.2590	1/8
BBTW020032002	5/8	x	1	0.6270	0.6310	0.9990	1.0090	1/16
BBTW020032004	5/8	x	1	0.6270	0.6310	0.9990	1.0090	1/8
BBTW020038002*	5/8	x	1 3/16	0.6270	0.6310	1.1865	1.1965	1/16
BBTW020038003*	5/8	x	1 3/16	0.6270	0.6310	1.1865	1.1965	3/32
BBTW020038004	5/8	x	1 3/16	0.6270	0.6310	1.1865	1.1965	1/8
BBTW020040002	5/8	x	1 1/4	0.6270	0.6310	1.2490	1.2590	1/16
BBTW024040002	3/4	x	1 1/4	0.7520	0.7560	1.2490	1.2590	1/16
BBTW024040004	3/4	x	1 1/4	0.7520	0.7560	1.2490	1.2590	1/8
BBTW024044004	3/4	x	1 3/8	0.7520	0.7560	1.3740	1.3840	1/8
BBTW024050003	3/4	x	1 9/16	0.7520	0.7560	1.5575	1.5775	3/32
BBTW024056004	3/4	x	1 3/4	0.7520	0.7560	1.7450	1.7650	1/8
BBTW028048002	7/8	x	1 1/2	0.8770	0.8810	1.4990	1.5090	1/16
BBTW028048004	7/8	x	1 1/2	0.8770	0.8810	1.4990	1.5090	1/8
BBTW032048002	1	x	1 1/2	1.0030	1.0070	1.4990	1.5090	1/16
BBTW032048004	1	x	1 1/2	1.0030	1.0070	1.4990	1.5090	1/8
BBTW032064004	1	x	2	1.0030	1.0070	1.9950	2.0150	1/8
BBTW040064002	1 1/4	x	2	1.2535	1.2575	1.9950	2.0150	1/16
BBTW040064004	1 1/4	x	2	1.2535	1.2575	1.9950	2.0150	1/8
BBTW048080004	1 1/2	x	2 1/2	1.5040	1.5080	2.4950	2.5150	1/8
BBTW048114009	1 1/2	x	3 9/16	1.5040	1.5080	3.5445	3.5945	9/32
BBTW056084004	1 3/4	x	2 5/8	1.7540	1.7600	2.6210	2.6410	1/8
BBTW064096004	2	x	3	2.0040	2.0100	2.9960	3.0160	1/8

*When current inventory is depleted, these sizes will be supplied on special order basis only. Minimum order quantities may apply.



Powdered Metal SAE 841 Cored Bronze Bars

PART NUMBER	NOMINAL SIZES			STOCK TO FINISH TO			
	I.D.		O.D.	I.D.		O.D.	LENGTH
ET0408	1/2	x	1	0.5000	x	1.0000	6.5
ET0409	1/2	x	1 1/8	0.5000	x	1.1250	6.5
ET0410	1/2	x	1 1/4	0.5000	x	1.2500	6.5
ET0412	1/2	x	1 1/2	0.5000	x	1.5000	6.5
ET0416	1/2	x	2	0.5000	x	2.0000	6.5
ET0508	5/8	x	1	0.6250	x	1.0000	6.5
ET0509	5/8	x	1 1/8	0.6250	x	1.1250	6.5
ET0510	5/8	x	1 1/4	0.6250	x	1.2500	6.5
ET0511	5/8	x	1 3/8	0.6250	x	1.3750	6.5
ET0512	5/8	x	1 1/2	0.6250	x	1.5000	6.5
ET0514	5/8	x	1 3/4	0.6250	x	1.7500	6.5
ET0516	5/8	x	2	0.6250	x	2.0000	6.5
ET0610	3/4	x	1 1/4	0.7500	x	1.2500	6.5
ET0612	3/4	x	1 1/2	0.7500	x	1.5000	6.5
ET0614	3/4	x	1 3/4	0.7500	x	1.7500	6.5
ET0616	3/4	x	2	0.7500	x	2.0000	6.5
ET0618	3/4	x	2 1/4	0.7500	x	2.2500	6.5
ET0620	3/4	x	2 1/2	0.7500	x	2.5000	6.5
ET0622*	3/4	x	2 3/4	0.7500	x	2.7500	6.5
ET0711	7/8	x	1 3/8	0.8750	x	1.3750	6.5
ET0712	7/8	x	1 1/2	0.8750	x	1.5000	6.5
ET0718	7/8	x	2 1/4	0.8750	x	2.2500	6.5
ET0812	1	x	1 1/2	1.0000	x	1.5000	6.5
ET0813	1	x	1 5/8	1.0000	x	1.6250	6.5
ET0814	1	x	1 3/4	1.0000	x	1.7500	6.5
ET0816	1	x	2	1.0000	x	2.0000	6.5
ET0818	1	x	2 1/4	1.0000	x	2.2500	6.5
ET0820	1	x	2 1/2	1.0000	x	2.5000	6.5
ET0824	1	x	3	1.0000	x	3.0000	6.5
ET0828	1	x	3 1/2	1.0000	x	3.5000	6.5
ET0832	1	x	4	1.0000	x	4.0000	6.5
ET0917	1 1/8	x	2 1/8	1.1250	x	2.1250	6.5
ET1014	1 1/4	x	1 3/4	1.2500	x	1.7500	6.5
ET1016	1 1/4	x	2	1.2500	x	2.0000	6.5
ET1018	1 1/4	x	2 1/4	1.2500	x	2.2500	6.5
ET1020	1 1/4	x	2 1/2	1.2500	x	2.5000	6.5
ET1024	1 1/4	x	3	1.2500	x	3.0000	6.5
ET1032	1 1/4	x	4	1.2500	x	4.0000	6.5
ET1122	1 3/8	x	2 3/4	1.3750	x	2.7500	6.5
ET1216	1 1/2	x	2	1.5000	x	2.0000	6.5
ET1218	1 1/2	x	2 1/4	1.5000	x	2.2500	6.5
ET1220	1 1/2	x	2 1/2	1.5000	x	2.5000	6.5
ET1222	1 1/2	x	2 3/4	1.5000	x	2.7500	6.5
ET1224	1 1/2	x	3	1.5000	x	3.0000	6.5
ET1228	1 1/2	x	3 1/2	1.5000	x	3.5000	6.5
ET1232	1 1/2	x	4	1.5000	x	4.0000	6.5
ET1418	1 3/4	x	2 1/4	1.7500	x	2.2500	6.5
ET1420	1 3/4	x	2 1/2	1.7500	x	2.5000	6.5
ET1422	1 3/4	x	2 3/4	1.7500	x	2.7500	6.5
ET1424	1 3/4	x	3	1.7500	x	3.0000	6.5
ET1428	1 3/4	x	3 1/2	1.7500	x	3.5000	6.5

*When current inventory is depleted, these sizes will be supplied on special order basis only. Minimum order quantities may apply.



Powdered Metal SAE 841 Cored Bronze Bars

PART NUMBER	NOMINAL SIZES			STOCK TO FINISH TO			
	I.D.		O.D.	I.D.	O.D.	LENGTH	
ET1436*	1 3/4	x	4 1/2	1.7500	x	4.5000	6.5
ET1622	2	x	2 3/4	2.0000	x	2.7500	6.5
ET1624	2	x	3	2.0000	x	3.0000	6.5
ET1626	2	x	3 1/4	2.0000	x	3.2500	6.5
ET1632	2	x	4	2.0000	x	4.0000	6.5
ET1636	2	x	4 1/2	2.0000	x	4.5000	6.5
ET1640	2	x	5	2.0000	x	5.0000	6.5
ET1644	2	x	5 1/2	2.0000	x	5.5000	6.5
ET1824	2 1/4	x	3	2.2500	x	3.0000	6.5
ET1826	2 1/4	x	3 1/4	2.2500	x	3.2500	6.5
ET1828	2 1/4	x	3 1/2	2.2500	x	3.5000	6.5
ET1830	2 1/4	x	3 3/4	2.2500	x	3.7500	6.5
ET1832	2 1/4	x	4	2.2500	x	4.0000	6.5
ET1836	2 1/4	x	4 1/2	2.2500	x	4.5000	6.5
ET1924	2 3/8	x	3	2.3750	x	3.0000	6.5
ET1928	2 3/8	x	3 1/2	2.3750	x	3.5000	6.5
ET1932	2 3/8	x	4	2.3750	x	4.0000	6.5
ET1936*	2 3/8	x	4 1/2	2.3750	x	4.5000	6.5
ET2028	2 1/2	x	3 1/2	2.5000	x	3.5000	6.5
ET2030	2 1/2	x	3 3/4	2.5000	x	3.7500	6.5
ET2032	2 1/2	x	4	2.5000	x	4.0000	6.5
ET2036	2 1/2	x	4 1/2	2.5000	x	4.5000	6.5
ET2040	2 1/2	x	5	2.5000	x	5.0000	6.5
ET2230	2 3/4	x	3 3/4	2.7500	x	3.7500	6.5
ET2430	3	x	3 3/4	3.0000	x	3.7500	6.5
ET2432	3	x	4	3.0000	x	4.0000	6.5
ET2436	3	x	4 1/2	3.0000	x	4.5000	6.5
ET2440	3	x	5	3.0000	x	5.0000	6.5
ET2448	3	x	6	3.0000	x	6.0000	6.5
ET2634	3 1/4	x	4 1/4	3.2500	x	4.2500	6.5
ET2840	3 1/2	x	5	3.5000	x	5.0000	6.5
ET2848	3 1/2	x	6	3.5000	x	6.0000	6.5
ET3040	3 3/4	x	5	3.7500	x	5.0000	6.5
ET3248	4	x	6	4.0000	x	6.0000	6.5
ET3256	4	x	7	4.0000	x	7.0000	6.5
ET3264	4	x	8	4.0000	x	8.0000	6.5
ET3648	4 1/2	x	6	4.5000	x	6.0000	6.5
ET4056	5	x	7	5.0000	x	7.0000	6.5
ET4864	6	x	8	6.0000	x	8.0000	6.5

*When current inventory is depleted, these sizes will be supplied on special order basis only. Minimum order quantities may apply.



Powdered Metal SAE 841 Solid Bronze Bars

PART NUMBER	I.D.	O.D.	STOCK TO FINISH TO	
			O.D.	LENGTH
ES0002	SOLID	x 1/4	0.2500	2.0
ES0003	SOLID	x 3/8	0.3750	3.0
ES0004	SOLID	x 1/2	0.5000	6.5
ES0005	SOLID	x 5/8	0.6250	6.5
ES0006	SOLID	x 3/4	0.7500	6.5
ES0007	SOLID	x 7/8	0.8750	6.5
ES0008	SOLID	x 1	1.0000	6.5
ES0009	SOLID	x 1 1/8	1.1250	6.5
ES0010	SOLID	x 1 1/4	1.2500	6.5
ES0011	SOLID	x 1 3/8	1.3750	6.5
ES0012	SOLID	x 1 1/2	1.5000	6.5
ES0013	SOLID	x 1 5/8	1.6250	6.5
ES0014	SOLID	x 1 3/4	1.7500	6.5
ES0016	SOLID	x 2	2.0000	6.5
ES0018	SOLID	x 2 1/4	2.2500	6.5
ES0020	SOLID	x 2 1/2	2.5000	6.5
ES0022	SOLID	x 2 3/4	2.7500	6.5
ES0024	SOLID	x 3	3.0000	6.5
ES0026	SOLID	x 3 1/4	3.2500	6.5
ES0028	SOLID	x 3 1/2	3.5000	6.5
ES0032	SOLID	x 4	4.0000	6.5
ES0036	SOLID	x 4 1/2	4.5000	6.5
ES0040	SOLID	x 5	5.0000	6.5
ES0044	SOLID	x 5 1/2	5.5000	6.5
ES0048	SOLID	x 6	6.0000	6.5
ES0056	SOLID	x 7	7.0000	6.5
ES0064	SOLID	x 8	8.0000	6.5

Powdered Metal SAE 841 Circular Discs

PART NUMBER	NOMINAL SIZES			STOCK TO FINISH TO		
	I.D.	O.D.		I.D.	O.D.	THICKNESS
DD 3000	SOLID	x 3		x 3.0000		1/4
DD 4000	SOLID	x 4		x 4.0000		1/4
DD 5602 01	SOLID	x 5 5/8		x 5.6250		1/4
DD 6000	SOLID	x 6		x 6.0000		5/16
DD 7001*	SOLID	x 7		x 7.0000		5/16
DD 8000*	SOLID	x 8		x 8.0000		5/16
DD 8000 03*	SOLID	x 8		x 8.0000		3/8
CD 3001	1	x 3	1.0000	x 3.0000		1/4
CD 4001	1	x 4	1.0000	x 4.0000		1/4
CD 4002	2	x 4	2.0000	x 4.0000		1/4
CD 5500	2	x 5 1/2	2.0000	x 5.5000		1/4
CD 4502	2 1/4	x 4 1/2	2.2500	x 4.5000		1/4
CD 7000 02	2 1/4	x 7	2.2500	x 7.0000		1/4
CD 9001	3	x 9	3.0000	x 9.0000		5/16
CD 6003	4	x 6	4.0000	x 6.0000		5/16

*When current inventory is depleted, these sizes will be supplied on special order basis only. Minimum order quantities may apply.



Powdered Metal SAE 840/841 Bronze Plate

PART NUMBER	WIDTH	STOCK TO FINISH TO		THICKNESS ±0.010"	MATERIAL
		WIDTH	LENGTH		
PP 2500	1/2	0.5000	2 1/2	1/4	SAE 841
PP 8100 01	2	2.0000	8 1/8	1/4	SAE 841
PP 8100	2	2.0000	8 1/8	1/2	SAE 841
PP 12100	3	3.0000	12	1/4	SAE 841
PP 12100 01	3	3.0000	12	1/2	SAE 841
PP 12100 02	3	3.0000	12	3/4	SAE 841
PP 12100 03	3	3.0000	12	1	SAE 841
PP 6000	5	5.0000	6	1/8	SAE 841
PP 6000 01	5	5.0000	6	3/16	SAE 841
PP 6000 02	5	5.0000	6	1/4	SAE 841
PP 6000 04	5	5.0000	6	3/8	SAE 841
PP 6000 05	5	5.0000	6	1/2	SAE 841
PP 6000 06	5	5.0000	6	5/8	SAE 841
PP 6000 07	5	5.0000	6	3/4	SAE 841
PP 6000 08	5	5.0000	6	1	SAE 841
PP 8000 07	5	5.0000	8	1/8	SAE 841
PP 8000	5	5.0000	8	3/16	SAE 841
PP 8000 01	5	5.0000	8	1/4	SAE 841
PP 8000 04	5	5.0000	8	1/2	SAE 841
PP 8000 05	5	5.0000	8	3/4	SAE 841
PP 8000 06	5	5.0000	8	1	SAE 841
PP 12000 06	6	6.0000	12	1/8	SAE 841
PP 12000 07	6	6.0000	12	3/16	SAE 840
PP 12000	6	6.0000	12	1/4	SAE 840
PP 12000 01	6	6.0000	12	3/8	SAE 840
PP 12000 02	6	6.0000	12	1/2	SAE 840
PP 12000 03	6	6.0000	12	5/8	SAE 840
PP 12000 04	6	6.0000	12	3/4	SAE 840
PP 12000 05	6	6.0000	12	1	SAE 840



Powdered Metal SAE 863 Iron Copper Solid Bar

PART NUMBER	O.D.	STOCK TO FINISH TO	
		O.D.	LENGTH
SSS 300	3/8	0.3750	2.5
SSS 500	1/2	0.5000	6.5
SSS 600	5/8	0.6250	5.0
SSS 700	3/4	0.7500	5.0
SSS 800	7/8	0.8750	5.0
SSS 1000	1	1.0000	5.0
SSS 1100	1 3/16	1.1875	5.0
SSS 1300*	1 5/16	1.3125	5.0
SSS 1400	1 7/16	1.4375	5.0
SSS 1500	1 9/16	1.5625	5.0
SSS 1800	1 13/16	1.8125	5.0
SSS 2000*	2 1/16	2.0625	5.0
SSS 2800	2 7/8	2.8750	5.0

*When current inventory is depleted, these sizes will be supplied on special order basis only. Minimum order quantities may apply.

Powdered Metal SAE 863 Iron Copper Cored Bar

PART NUMBER	NOMINAL			STOCK TO FINISH TO			
	I.D.		O.D.	I.D.	O.D.	LENGTH	
SSC 1000	1/2	x	1	0.5000	x	1.0000	5.0
SSC 1402	1/2	x	1 7/16	0.5000	x	1.4375	5.0
SSC 1500	3/4	x	1 9/16	0.7500	x	1.5625	5.0
SSC 1900	3/4	x	1 15/16	0.7500	x	1.9375	5.0
SSC 1601	1	x	1 11/16	1.0000	x	1.6875	5.0
SSC 2100	1	x	2 3/16	1.0000	x	2.1875	5.0
SSC 1602	1 1/4	x	1 11/16	1.2500	x	1.6875	5.0
SSC 2103	1 1/4	x	2 3/16	1.2500	x	2.1875	5.0
SSC 2803	1 1/4	x	2 7/8	1.2500	x	2.8750	5.0
SSC 1904	1 1/2	x	1 15/16	1.2500	x	1.9375	5.0
SSC 3805	1 1/2	x	3 7/8	1.2500	x	3.8750	5.0
SSC 2504	1 3/4	x	2 1/2	1.7500	x	2.5000	5.0
SSC 3004	1 3/4	x	3	1.7500	x	3.0000	5.0
SSC 2600	2	x	2 5/8	2.0000	x	2.6250	5.0
SSC 3005	2	x	3	2.0000	x	3.0000	5.0
SSC 3301	2 1/2	x	3 3/8	2.5000	x	3.3750	5.0
SSC 4102	2 1/2	x	4 1/8	2.5000	x	4.1250	5.0
SSC 3801	3	x	3 7/8	3.0000	x	3.8750	5.0
SSC 4802	3	x	4 7/8	3.0000	x	4.8750	5.0

Bunting Lube-Align® Mounted Bearings

The unique, patented Lube-Align bearing products are made of self-lubricating, self-aligning SAE 841 bronze bearings permanently cast inside a 'fast mount' aluminum housing. Here's how Lube-Align bearings effect 4-way savings for OEM and maintenance engineers:

Self-Alignment. A special casting technique which locks the bearing inside the aluminum housing, yet allows sufficient freedom of movement to enable the bearing to position itself to line up with greatly varying shaft directions. This self-aligning feature saves by eliminating the costly hand labor normally required to align conventional bearings with shafts.

Self-Lubricating. The powdered metal bronze bearings used in Lube-Align products are actually 18% oil-impregnated. In action, the oil literally rises to the surface to create a smooth, hydraulic cushion for the shaft which prolongs both bearings and shaft life. Lube-Align bearings save by eliminating the need for additional lubrication for the prolonged life of the bearing.

Fast Installation. Lube-Align bearings are made in more than 115 standard sizes ranging from I.D. 1/8" to 2" for bearings and O.D. 3/4" to 3-1/2" for the aluminum housings. All of the bearings are equipped with exclusive 'fast mount' aluminum housings which save by keeping installation time and costs at an absolute minimum.

Low Unit Cost Savings. Devised and built on equipment which mass-produces Lube-Align bearings. Mass-production capacity combined with the increasing demand for Lube-Align bearings keeps unit costs in quantities at a consistently economical level.

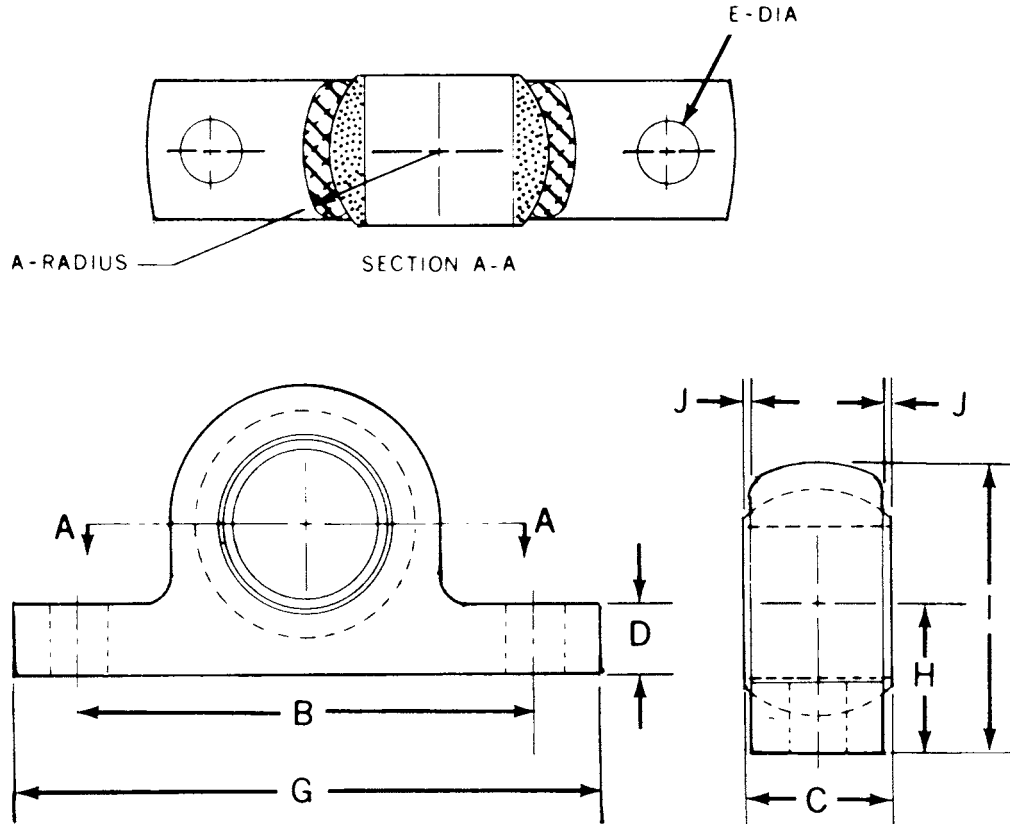
For special sizes and designs contact Bunting.

Temperature range: +10°F/+220°F





Lube-Align® Standard Mounting

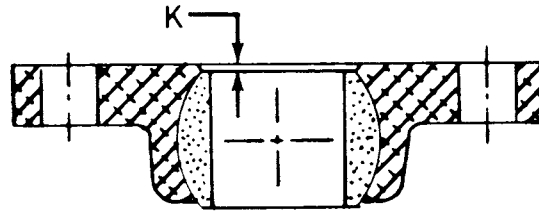


PART NUMBER	I.D.	A	B	C	D	E	G	H	I	J
LA002806*	0.127/0.126	3/8	1 1/8	3/8	3/16	11/64	1 5/8	3/8	3/4	1/64
LA003806*	0.1895/0.1885	3/8	1 1/8	3/8	3/16	11/64	1 5/8	3/8	3/4	1/64
LA031007*	0.1895/0.1885	7/16	1 3/8	7/16	1/4	13/64	1 7/8	7/16	7/8	1/64
LA004806*	0.252/0.251	3/8	1 1/8	3/8	3/16	11/64	1 5/8	3/8	3/4	1/64
LA041007*	0.252/0.251	7/16	1 3/8	7/16	1/4	13/64	1 7/8	7/16	7/8	1/64
LA041208	0.252/0.251	9/16	1 3/4	1/2	1/4	9/32	2 1/4	9/16	1 1/8	1/64
LA041209	0.252/0.251	9/16	1 3/4	19/32	1/4	9/32	2 1/4	9/16	1 1/8	1/32
LA051007	0.3135/0.3145	7/16	1 3/8	7/16	1/4	13/64	1 7/8	7/16	7/8	1/64
LA061208	0.377/0.376	9/16	1 3/4	1/2	1/4	9/32	2 1/4	9/16	1 1/8	1/64
LA081208	0.502/0.501	9/16	1 3/4	1/2	1/4	9/32	2 1/4	9/16	1 1/8	1/64
LA082014	0.502/0.501	13/16	2 1/2	7/8	5/16	11/32	3 1/4	3/4	1 9/16	1/64
LA082416	0.502/0.501	15/16	3 1/8	1	13/32	11/32	4	1	1 15/16	1/64
LA102014	0.6275/0.6265	13/16	2 1/2	7/8	5/16	11/32	3 1/4	3/4	1 9/16	1/64
LA102416	0.6275/0.6265	15/16	3 1/8	1	13/32	11/32	4	1	1 15/16	1/64
LA122014	0.752/0.751	13/16	2 1/2	7/8	5/16	11/32	3 1/4	3/4	1 9/16	1/64
LA122416	0.752/0.751	15/16	3 1/8	1	13/32	11/32	4	1	1 15/16	1/64
LA142416	0.877/0.876	15/16	3 1/8	1	13/32	11/32	4	1	1 15/16	1/64
LA162416	1.002/1.001	15/16	3 1/8	1	13/32	11/32	4	1	1 15/16	1/64
LA163424	1.002/1.001	1 5/16	4	1 1/2	9/16	9/16	5	1 1/4	2 9/16	1/64
LA203424	1.253/1.251	1 5/16	4	1 1/2	9/16	9/16	5	1 1/4	2 9/16	1/64
LA243724*	1.503/1.501	1 1/2	4 1/2	1 1/2	9/16	9/16	5 1/2	1 1/2	3	1/32
LA284832	1.753/1.751	1 15/16	5 1/2	2	3/4	13/16	6 1/2	1 7/8	3 13/16	1/32

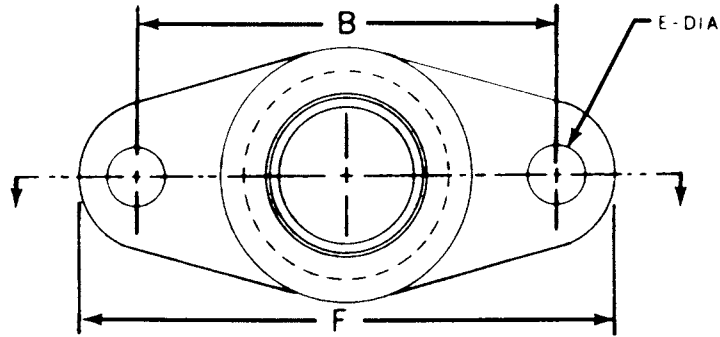
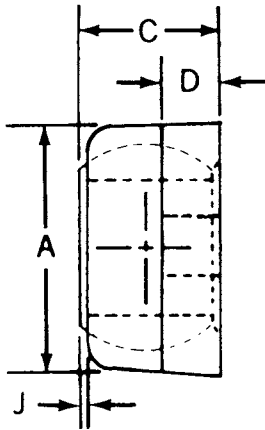
*When reserve inventory is depleted, these sizes will be supplied on special order basis only. Minimum order quantities may apply.



Lube-Align® 2-Bolt Flanged Mounting



SECTION A-A

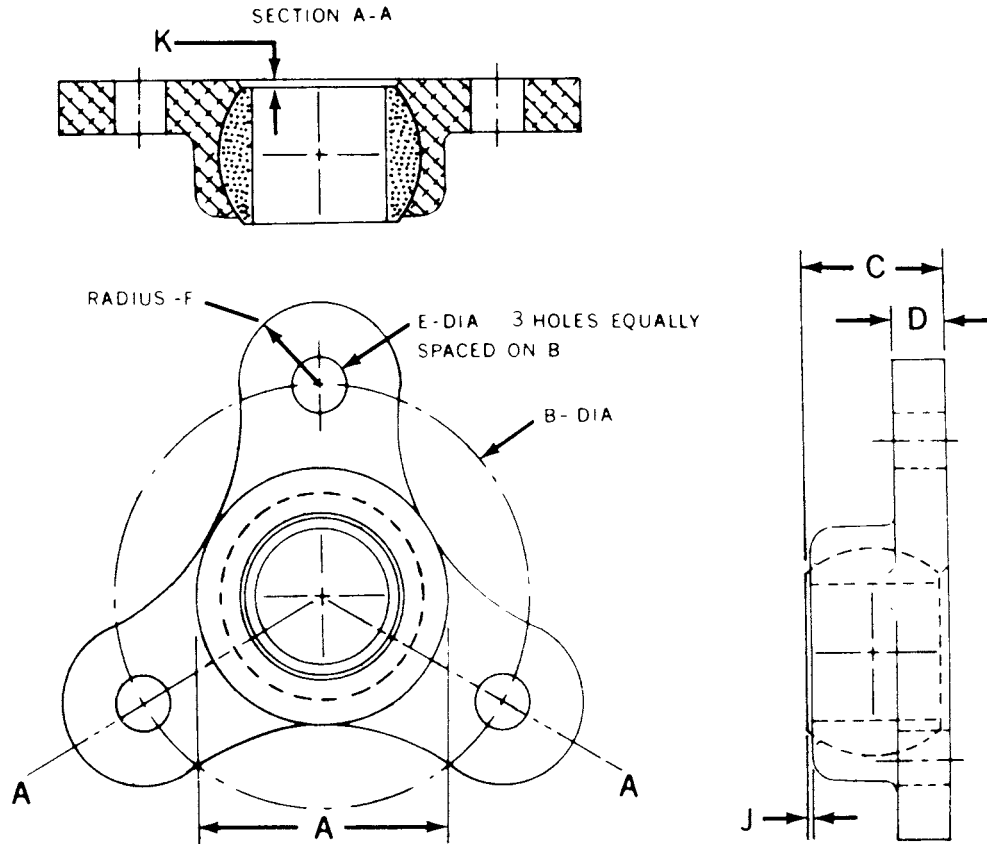


PART NUMBER	I.D.	A	B	C	D	E	F	J	K
LT002806*	0.127/0.126	3/4	1 1/4	13/32	3/16	11/64	1 5/8	1/64	1/32
LT003806	0.1895/0.1885	3/4	1 1/4	13/32	3/16	11/64	1 5/8	1/64	1/32
LT031007*	0.1895/0.1885	7/8	1 3/8	15/32	3/16	13/64	1 7/8	1/32	1/32
LT004806	0.252/0.251	3/4	1 1/4	13/32	3/16	11/64	1 5/8	1/64	1/32
LT041007*	0.252/0.251	7/8	1 3/8	15/32	3/16	13/64	1 7/8	1/32	1/32
LT041208*	0.252/0.251	1 1/8	1 3/4	17/32	3/16	9/32	2 1/4	1/32	1/32
LT051007	0.3135/0.3145	7/8	1 3/8	15/32	3/16	13/64	1 7/8	1/32	1/32
LT061208	0.377/0.376	1 1/8	1 3/4	17/32	3/16	9/32	2 1/4	1/32	1/32
LT081208	0.502/0.501	1 1/8	1 3/4	17/32	3/16	9/32	2 1/4	1/32	1/32
LT082014	0.502/0.501	1 5/8	2 1/2	15/16	1/4	13/32	3 1/4	1/32	1/16
LT082416	0.502/0.501	1 7/8	3 1/8	1 1/16	5/16	13/32	4	1/32	1/16
LT102014	0.6275/0.6265	1 5/8	2 1/2	15/16	1/4	13/32	3 1/4	1/32	1/16
LT102416	0.6275/0.6265	1 7/8	3 1/8	1 1/16	5/16	13/32	4	1/32	1/16
LT122014	0.752/0.751	1 5/8	2 1/2	15/16	1/4	13/32	3 1/4	1/32	1/16
LT122416	0.752/0.751	1 7/8	3 1/8	1 1/16	5/16	13/32	4	1/32	1/16
LT142416	0.877/0.876	1 7/8	3 1/8	1 1/16	5/16	13/32	4	1/32	1/16
LT162416	1.002/1.001	1 7/8	3 1/8	1 1/16	5/16	13/32	4	1/32	1/16
LT163424	1.002/1.001	2 5/8	4	1 5/8	3/8	9/16	5	1/32	1/8
LT203424	1.253/1.251	2 5/8	4	1 5/8	3/8	9/16	5	1/32	1/8
LT284832*	1.753/1.751	3 7/8	5 1/2	2 1/8	5/8	13/16	7	1/32	1/8
LT324832	2.004/2.001	3 7/8	5 1/2	2 1/8	5/8	13/16	7	1/32	1/8

*When reserve inventory is depleted, these sizes will be supplied on special order basis only. Minimum order quantities may apply.



Lube-Align® 3-Bolt Flanged Mounting

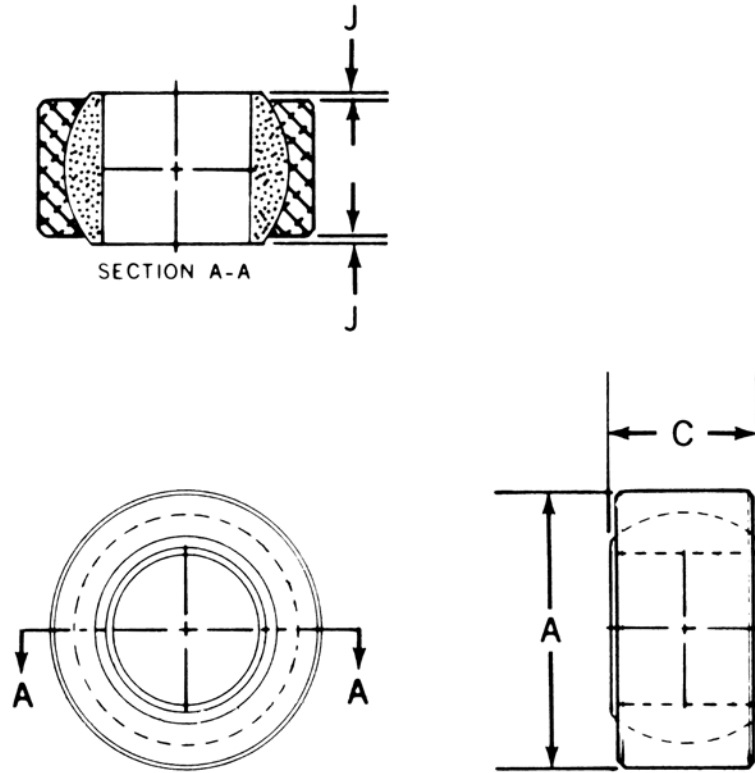


PART NUMBER	I.D.	A	B	C	D	E	F	J	K
LF031007*	0.1895/0.1885	7/8	1 3/8	15/32	3/16	5/32	1/4	1/32	1/32
LF041007*	0.252/0.251	7/8	1 3/8	15/32	3/16	5/32	1/4	1/32	1/32
LF041208*	0.252/0.251	1 1/8	1 3/4	17/32	3/16	9/32	5/16	1/32	1/32
LF051007*	0.3135/0.3145	1 3/8	15/32	15/32	3/16	5/32	1/4	1/32	1/32
LF061208*	0.377/0.376	1 1/8	1 3/4	17/32	3/16	9/32	5/16	1/32	1/32
LF081208	0.502/0.501	1 1/8	1 3/4	17/32	3/16	9/32	5/16	1/32	1/32
LF082014*	0.502/0.501	1 5/8	2 1/2	15/16	1/4	13/32	7/16	1/32	1/16
LF082416*	0.502/0.501	1 7/8	3 1/8	1 1/16	5/16	13/32	5/8	1/32	1/16
LF102014	0.6275/0.6265	1 5/8	2 1/2	15/16	1/4	13/32	7/16	1/32	1/16
LF102416*	0.6275/0.6265	1 7/8	3 1/8	1 1/16	5/16	13/32	5/8	1/32	1/16
LF122014	0.752/0.751	1 5/8	2 1/2	15/16	1/4	13/32	7/16	1/32	1/16
LF122416	0.752/0.751	1 7/8	3 1/8	1 1/16	5/16	13/32	5/8	1/32	1/16
LF142416*	0.877/0.876	1 7/8	3 1/8	1 1/16	5/16	13/32	5/8	1/32	1/16
LF162416*	1.002/1.001	1 7/8	3 1/8	1 1/16	5/16	13/32	5/8	1/32	1/16
LF163424	1.002/1.001	2 5/8	4	1 5/8	3/8	9/16	11/16	1/32	1/8
LF203424	1.253/1.251	2 5/8	4	1 5/8	3/8	9/16	11/16	1/32	1/8
LF284832	1.753/1.751	3 7/8	5 1/2	2 1/8	5/8	13/16	13/16	1/32	1/8
LF324832*	2.004/2.001	3 7/8	5 1/2	2 1/8	5/8	13/16	13/16	1/32	1/8

*When reserve inventory is depleted, these sizes will be supplied on special order basis only. Minimum order quantities may apply.



Lube-Align® Bore Mounting



PART NUMBER	I.D.	FRACTION O.D.	A	C	J
LC041608*	0.252/0.251	1	1.003/1.002	1/2	1/32
LC041708*	0.252/0.251	1 1/16	1.0655/1.0645	1/2	1/32
LC041809*	0.252/0.251	1 1/8	1.128/1.127	19/32	1/32
LC042009*	0.252/0.251	1 1/4	1.253/1.252	19/32	1/32
LC051407	0.3135/0.3145	7/8	.878/.877	7/16	1/64
LC051507	0.3135/0.3145	15/16	.9405/.9395	7/16	1/64
LC061608	0.377/0.376	1	1.003/1.002	1/2	1/32
LC061708	0.377/0.376	1 1/16	1.0655/1.0645	1/2	1/32
LC081608	0.502/0.501	1	1.003/1.002	1/2	1/32
LC081708*	0.502/0.501	1 1/16	1.0655/1.0645	1/2	1/32
LC082414*	0.502/0.501	1 1/2	1.503/1.502	7/8	1/32
LC082614*	0.502/0.501	1 5/8	1.628/1.627	7/8	1/32
LC082816*	0.502/0.501	1 3/4	1.753/1.752	1	1/32
LC083016*	0.502/0.501	1 7/8	1.878/1.877	1	1/32
LC102414	0.6275/0.6265	1 1/2	1.503/1.502	7/8	1/32
LC102614*	0.6275/0.6265	1 5/8	1.628/1.627	7/8	1/32
LC102816*	0.6275/0.6265	1 3/4	1.753/1.752	1	1/32
LC103016*	0.6275/0.6265	1 7/8	1.878/1.877	1	1/32
LC122414	0.752/0.751	1 1/2	1.503/1.502	7/8	1/32
LC122614*	0.752/0.751	1 5/8	1.628/1.627	7/8	1/32
LC122816*	0.752/0.751	1 3/4	1.753/1.752	1	1/32
LC123016*	0.752/0.751	1 7/8	1.878/1.877	1	1/32
LC142816*	0.877/0.876	1 3/4	1.753/1.752	1	1/32
LC143016*	0.877/0.876	1 7/8	1.878/1.877	1	1/32
LC162816	1.002/1.001	1 3/4	1.753/1.752	1	1/32
LC163016*	1.002/1.001	1 7/8	1.878/1.877	1	1/32
LC164024*	1.002/1.001	2 1/2	2.503/2.502	1 1/2	1/32
LC164224*	1.002/1.001	2 5/8	2.628/2.627	1 1/2	1/32
LC204024*	1.252/1.251	2 1/2	2.503/2.502	1 1/2	1/32
LC204224*	1.252/1.251	2 5/8	2.628/2.627	1 1/2	1/32
LC244824*	1.503/1.501	3	3.003/3.001	1 1/2	1/32
LC245224*	1.503/1.501	3 1/4	3.253/3.251	1 1/2	1/32
LC285432*	1.753/1.751	3 3/8	3.380/3.378	2	1/32
LC285632*	1.753/1.751	3 1/2	3.505/3.503	2	1/32
LC325432*	2.004/2.001	3 3/8	3.380/3.378	2	1/32
LC325632*	2.004/2.001	3 1/2	3.505/3.503	2	1/32

*When reserve inventory is depleted, these sizes will be supplied on special order basis only. Minimum order quantities may apply.

Bunting Lube-Align® Platinum Mounted Bearings

Lube-Align Platinum has all the benefits of the standard Lube-Align and more. Lube-Align Platinum is a three part powdered metal assembly which makes the unit a non-throw away item. With the benefit of bronze bearing replacement or interchangeability Lube-Align Platinum can give you even greater savings.

Unlike most other mounted bearings that can deal with 5° maximum misalignment, Lube-Align Platinum can compensate with up to 15° of misalignment, this gives much greater flexibility in many hard to mount circumstances.

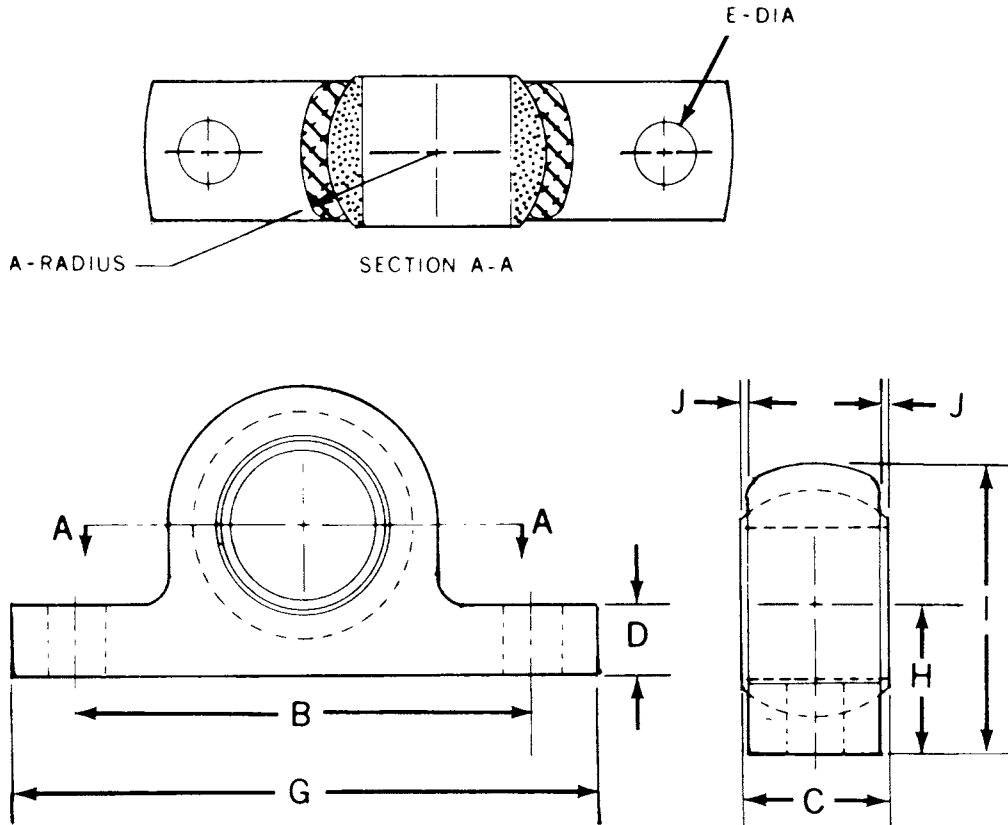
As the bronze bearing is easily replaced or interchanged you can choose from a large selection of sizes and oils. The same size housing will accommodate a number of size bearings and all of the four standards, SAE 841, Dri-Plane, 841 ECO and 841 Extra.

Temperature range: +10°F/+220°F





Lube-Align® Platinum Standard Mounting

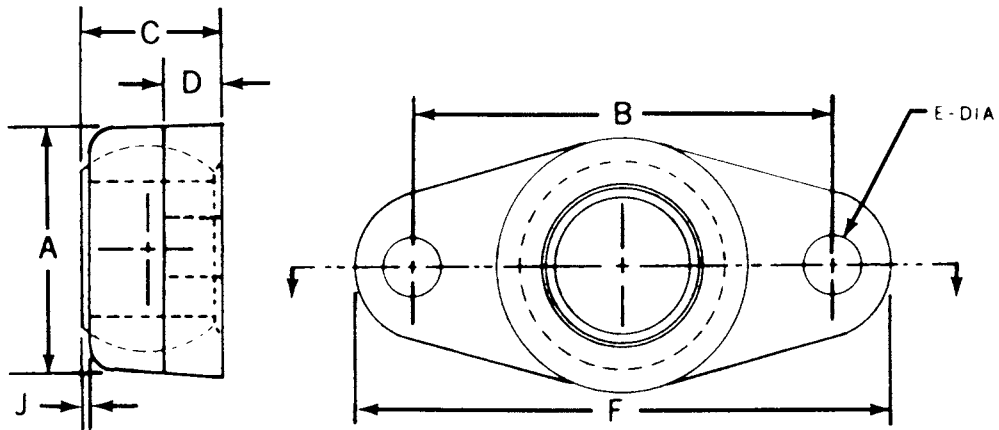
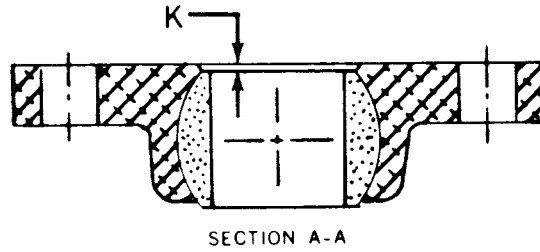


PART NUMBER	I.D.	A	B	C	D	E	G	H	I	J
LAPM061208	0.377/0.376	9/16	1 3/4	5/8	1/4	9/32	2 1/4	9/16	1 1/8	1/64
LAPM081208	0.502/0.501	9/16	1 3/4	5/8	1/4	9/32	2 1/4	9/16	1 1/8	1/64
LAPM082014	0.502/0.501	13/16	2 1/2	1	5/16	11/32	3 1/4	3/4	1 9/16	1/64
LAPM082416	0.502/0.501	15/16	3 1/8	1 1/8	13/32	11/32	4	1	1 15/16	1/64
LAPM102014	0.6275/0.6265	13/16	2 1/2	1	5/16	11/32	3 1/4	3/4	1 9/16	1/64
LAPM102416	0.6275/0.6265	15/16	3 1/8	1 1/8	13/32	11/32	4	1	1 15/16	1/64
LAPM122014	0.752/0.751	13/16	2 1/2	1	5/16	11/32	3 1/4	3/4	1 9/16	1/64
LAPM142416	0.877/0.876	15/16	3 1/8	1 1/8	13/32	11/32	4	1	1 15/16	1/64
LAPM162416	1.002/1.001	15/16	3 1/8	1 1/8	13/32	11/32	4	1	1 15/16	1/64

Part number suffix of:
 D for DRI-PLANE bearing insert
 X for 841 EXTRA bearing insert
 E for 841 ECO bearing insert



Lube-Align® Platinum 2-Bolt Flanged Mounting

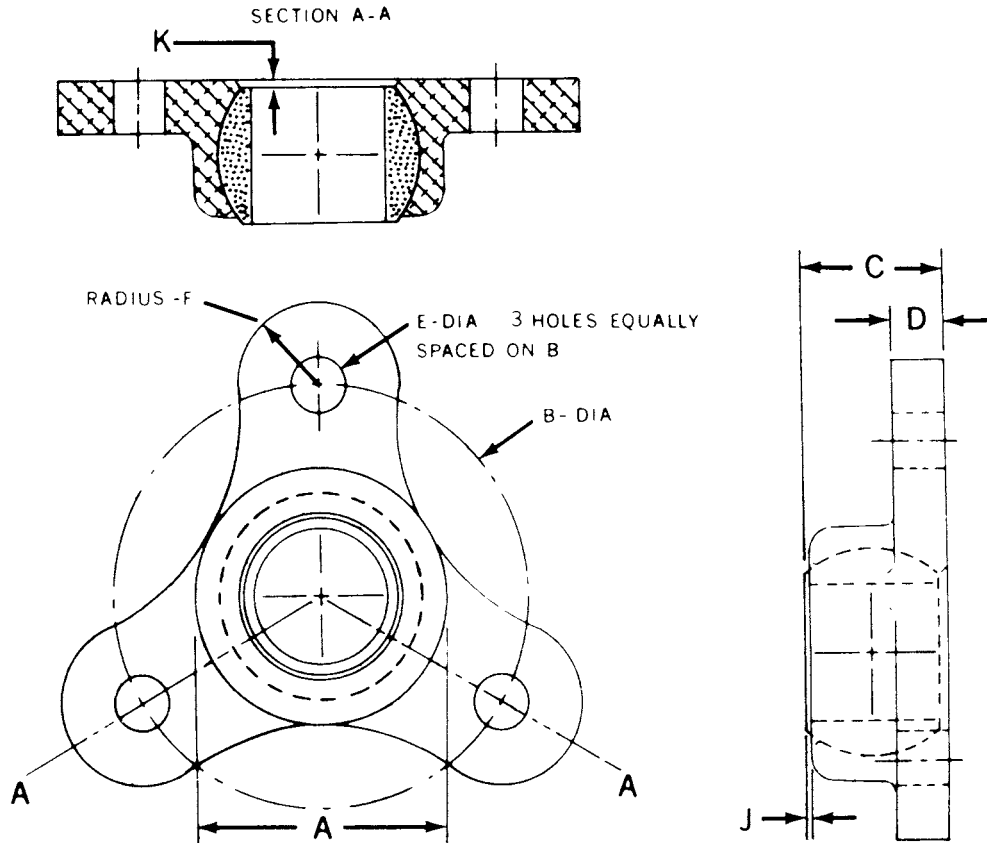


PART NUMBER	I.D.	A	B	C	D	E	F	J	K
LTPM061208	0.377/0.376	1 1/8	1 3/4	21/32	3/16	9/32	2 1/4	1/32	1/32
LTPM081208	0.502/0.501	1 1/8	1 3/4	21/32	3/16	9/32	2 1/4	1/32	1/32
LTPM082014	0.502/0.501	1 5/8	2 1/2	1 1/16	1/4	13/32	3 1/4	1/32	1/16
LTPM102014	0.6275/0.6265	1 5/8	2 1/2	1 1/16	1/4	13/32	3 1/4	1/32	1/16
LTPM122014	0.752/0.751	1 5/8	2 1/2	1 1/16	1/4	13/32	3 1/4	1/32	1/16
LTPM122416	0.752/0.751	1 7/8	3 1/8	1 3/16	5/16	13/32	4	1/32	1/16
LTPM142416	0.877/0.876	1 7/8	3 1/8	1 3/16	5/16	13/32	4	1/32	1/16
LTPM162416	1.002/1.001	1 7/8	3 1/8	1 3/16	5/16	13/32	4	1/32	1/16

Part number suffix of:
 D for DRI-PLANE bearing insert
 X for 841 EXTRA bearing insert
 E for 841 ECO bearing insert



Lube-Align® Platinum 3-Bolt Flanged Mounting

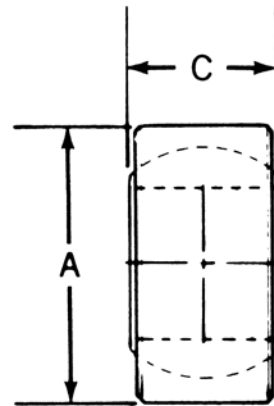
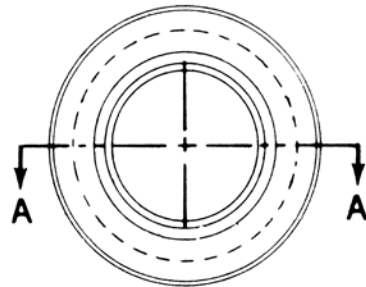
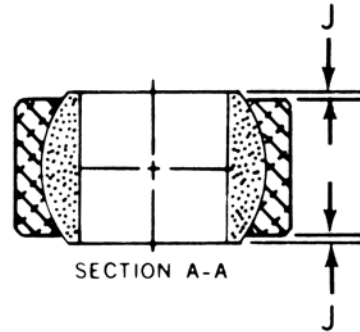


PART NUMBER	I.D.	A	B	C	D	E	F	J	K
LFPM102014	0.6275/0.6265	1 5/8	2 1/2	1 1/16	1/4	13/32	7/16	1/32	1/16
LFPM122014	0.752/0.751	1 5/8	2 1/2	1 1/16	1/4	13/32	7/16	1/32	1/16
LFPM284832	1.753/1.751	3 7/8	5 1/2	2 1/4	5/8	13/16	13/16	1/32	1/8

Part number suffix of:
 D for DRI-PLANE bearing insert
 X for 841 EXTRA bearing insert
 E for 841 ECO bearing insert



Lube-Align® Platinum Bore Mounting



PART NUMBER	I.D.	FRACTION O.D.	A	C	J
LCPM081608	0.502/0.501	1	1.003/1.002	5/8	1/32
LCPM102414	0.6275/0.6265	1 1/2	1.503/1.502	1	1/32
LCPM122414	0.752/0.751	1 1/2	1.503/1.502	1	1/32

Part number suffix of:

- D for DRI-PLANE bearing insert
- X for 841 EXTRA bearing insert
- E for 841 ECO bearing insert

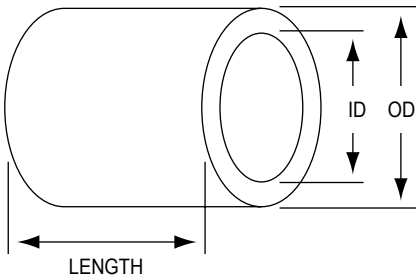
Bunting Nylon Bearings

NYLON -Molded Nylon 101 sleeve (plain), flanged, and thrust bearings provide an economical alternative where performance characteristics and the strength of metal bearings are not required. Bunting Bearings carries a full line of sleeve (plain), flanged, and thrust styles to accommodate shafts up to 1" diameter. Metric bearings are also available upon request.

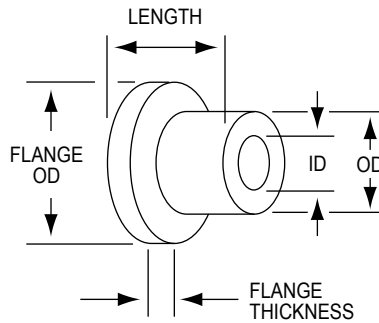
Bunting Nylon bearings inner diameters are measured after installation in a nominal housing.

Temperature range: -20°F/+250°F

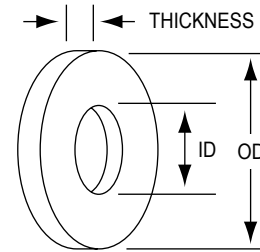
PLAIN BEARINGS



FLANGED BEARINGS



THRUST WASHERS





Nylon Sleeve (Plain) Bearings

PART NUMBER	NOMINAL SIZES		I.D. Min.	I.D. Max.	O.D. Min.	O.D. Max.	LENGTH/THICKNESS ±0.015"
	I.D.	O.D.					
NN030505*	3/16	x 5/16	0.1875	0.1925	0.3125	0.3175	5/16
NN030508	3/16	x 5/16	0.1875	0.1925	0.3125	0.3175	1/2
NN030512*	3/16	x 5/16	0.1875	0.1925	0.3125	0.3175	3/4
NN030606	3/16	x 3/8	0.1875	0.1925	0.3750	0.3800	3/8
NN030707*	3/16	x 7/16	0.1875	0.1925	0.4375	0.4425	7/16
NN040604	1/4	x 3/8	0.2500	0.2550	0.3750	0.3800	1/4
NN040605	1/4	x 3/8	0.2500	0.2550	0.3750	0.3800	5/16
NN040606	1/4	x 3/8	0.2500	0.2550	0.3750	0.3800	3/8
NN040608	1/4	x 3/8	0.2500	0.2550	0.3750	0.3800	1/2
NN040610*	1/4	x 3/8	0.2500	0.2550	0.3750	0.3800	5/8
NN040612	1/4	x 3/8	0.2500	0.2550	0.3750	0.3800	3/4
NN040616	1/4	x 3/8	0.2500	0.2550	0.3750	0.3800	1
NN040620	1/4	x 3/8	0.2500	0.2550	0.3750	0.3800	1 1/4
NN040707*	1/4	x 7/16	0.2500	0.2550	0.4375	0.4425	7/16
NN040806	1/4	x 1/2	0.2500	0.2550	0.5000	0.5050	3/8
NN040807*	1/4	x 1/2	0.2500	0.2550	0.5000	0.5050	7/16
NN040808	1/4	x 1/2	0.2500	0.2550	0.5000	0.5050	1/2
NN050707	5/16	x 7/16	0.3125	0.3175	0.4375	0.4425	7/16
NN050710	5/16	x 7/16	0.3125	0.3175	0.4375	0.4425	5/8
NN050804	5/16	x 1/2	0.3125	0.3175	0.5000	0.5050	1/4
NN050808	5/16	x 1/2	0.3125	0.3175	0.5000	0.5050	1/2
NN050909*	5/16	x 9/16	0.3125	0.3175	0.5625	0.5675	9/16
NN050912	5/16	x 9/16	0.3125	0.3175	0.5625	0.5675	3/4
NN050916*	5/16	x 9/16	0.3125	0.3175	0.5625	0.5675	1
NN060805*	3/8	x 1/2	0.3750	0.3800	0.5000	0.5050	5/16
NN060806	3/8	x 1/2	0.3750	0.3800	0.5000	0.5050	3/8
NN060808	3/8	x 1/2	0.3750	0.3800	0.5000	0.5050	1/2
NN060810	3/8	x 1/2	0.3750	0.3800	0.5000	0.5050	5/8
NN060812	3/8	x 1/2	0.3750	0.3800	0.5000	0.5050	3/4
NN060814	3/8	x 1/2	0.3750	0.3800	0.5000	0.5050	7/8
NN060816	3/8	x 1/2	0.3750	0.3800	0.5000	0.5050	1
NN060820	3/8	x 1/2	0.3750	0.3800	0.5000	0.5050	1 1/4
NN060909*	3/8	x 9/16	0.3750	0.3800	0.5625	0.5675	9/16
NN060910*	3/8	x 9/16	0.3750	0.3800	0.5625	0.5675	5/8
NN061010	3/8	x 5/8	0.3750	0.3800	0.6250	0.6300	5/8
NN061012	3/8	x 5/8	0.3750	0.3800	0.6250	0.6300	3/4
NN061016	3/8	x 5/8	0.3750	0.3800	0.6250	0.6300	1
NN070909	7/16	x 9/16	0.4375	0.4425	0.5625	0.5675	9/16
NN070912	7/16	x 9/16	0.4375	0.4425	0.5625	0.5675	3/4
NN070916*	7/16	x 9/16	0.4375	0.4425	0.5625	0.5675	1
NN071010*	7/16	x 5/8	0.4375	0.4425	0.6250	0.6300	5/8
NN071012*	7/16	x 5/8	0.4375	0.4425	0.6250	0.6300	3/4
NN071111*	7/16	x 11/16	0.4375	0.4425	0.6875	0.6925	11/16
NN081004	1/2	x 5/8	0.5000	0.5050	0.6250	0.6300	1/4
NN081006	1/2	x 5/8	0.5000	0.5050	0.6250	0.6300	3/8
NN081007	1/2	x 5/8	0.5000	0.5050	0.6250	0.6300	7/16
NN081008	1/2	x 5/8	0.5000	0.5050	0.6250	0.6300	1/2
NN081010	1/2	x 5/8	0.5000	0.5050	0.6250	0.6300	5/8
NN081012	1/2	x 5/8	0.5000	0.5050	0.6250	0.6300	3/4
NN081016	1/2	x 5/8	0.5000	0.5050	0.6250	0.6300	1
NN081020	1/2	x 5/8	0.5000	0.5050	0.6250	0.6300	1 1/4

*When current inventory is depleted, these sizes will be supplied on special order basis only. Minimum order quantities may apply.



Nylon Sleeve (Plain) Bearings

PART NUMBER	NOMINAL SIZES			I.D. Min.	I.D. Max.	O.D. Min.	O.D. Max.	LENGTH/THICKNESS ±0.015"
	I.D.	x	O.D.					
NN081024*	1/2	x	5/8	0.5000	0.5050	0.6250	0.6300	1 1/2
NN081111	1/2	x	11/16	0.5000	0.5050	0.6875	0.6925	11/16
NN081208	1/2	x	3/4	0.5000	0.5050	0.7500	0.7550	1/2
NN081212	1/2	x	3/4	0.5000	0.5050	0.7500	0.7550	3/4
NN081216	1/2	x	3/4	0.5000	0.5050	0.7500	0.7550	1
NN081220*	1/2	x	3/4	0.5000	0.5050	0.7500	0.7550	1 1/4
NN081224	1/2	x	3/4	0.5000	0.5050	0.7500	0.7550	1 1/2
NN091111*	9/16	x	11/16	0.5625	0.5675	0.5625	0.5675	11/16
NN091116*	9/16	x	11/16	0.5625	0.5675	0.5625	0.5675	1
NN091212*	9/16	x	3/4	0.5625	0.5675	0.5625	0.5675	3/4
NN101313	5/8	x	13/16	0.6250	0.6300	0.8125	0.8175	13/16
NN101208	5/8	x	3/4	0.6250	0.6300	0.7500	0.7550	1/2
NN101210*	5/8	x	3/4	0.6250	0.6300	0.7500	0.7550	5/8
NN101212	5/8	x	3/4	0.6250	0.6300	0.7500	0.7550	3/4
NN101214	5/8	x	3/4	0.6250	0.6300	0.7500	0.7550	7/8
NN101216*	5/8	x	3/4	0.6250	0.6300	0.7500	0.7550	1
NN101220*	5/8	x	3/4	0.6250	0.6300	0.7500	0.7550	1 1/4
NN101412	5/8	x	7/8	0.6250	0.6300	0.8750	0.8800	3/4
NN101414	5/8	x	7/8	0.6250	0.6300	0.8750	0.8800	7/8
NN101420	5/8	x	7/8	0.6250	0.6300	0.8750	0.8800	1 1/4
NN121410	3/4	x	7/8	0.7500	0.7550	0.8750	0.8800	5/8
NN121412*	3/4	x	7/8	0.7500	0.7550	0.8750	0.8800	3/4
NN121414	3/4	x	7/8	0.7500	0.7550	0.8750	0.8800	7/8
NN121416	3/4	x	7/8	0.7500	0.7550	0.8750	0.8800	1
NN121420	3/4	x	7/8	0.7500	0.7550	0.8750	0.8800	1 1/4
NN121515	3/4	x	15/16	0.7500	0.7550	0.9375	0.9425	15/16
NN121608	3/4	x	1	0.7500	0.7550	1.0000	1.0050	1/2
NN121610	3/4	x	1	0.7500	0.7550	1.0000	1.0050	5/8
NN121612	3/4	x	1	0.7500	0.7550	1.0000	1.0050	3/4
NN121616	3/4	x	1	0.7500	0.7550	1.0000	1.0050	1
NN121620	3/4	x	1	0.7500	0.7550	1.0000	1.0050	1 1/4
NN121624	3/4	x	1	0.7500	0.7550	1.0000	1.0050	1 1/2
NN141616	7/8	x	1	0.8750	0.8800	1.0000	1.0050	1
NN141818	7/8	x	1 1/8	0.8750	0.8800	1.1250	1.1300	1 1/8
NN161816	1	x	1 1/8	1.0000	1.0050	1.1250	1.1300	1
NN161818*	1	x	1 1/8	1.0000	1.0050	1.1250	1.1300	1 1/8
NN161824	1	x	1 1/8	1.0000	1.0050	1.1250	1.1300	1 1/2
NN162016	1	x	1 1/4	1.0000	1.0050	1.2500	1.2550	1
NN162020	1	x	1 1/4	1.0000	1.0050	1.2500	1.2550	1 1/4
NN162024	1	x	1 1/4	1.0000	1.0050	1.2500	1.2550	1 1/2

*When current inventory is depleted, these sizes will be supplied on special order basis only. Minimum order quantities may apply.



Nylon Flanged Bearings

PART NUMBER	NOMINAL SIZES		I.D. Min.	I.D. Max.	O.D. Min.	O.D. Max.	LENGTH/THK. ±0.015"	FLANGE O.D. ±0.015"	FLANGE THK. ±0.005"
	I.D.	O.D.							
NF030504	3/16	x 5/16	0.1875	0.1925	0.3125	0.3175	1/4	7/16	1/16
NF030505	3/16	x 5/16	0.1875	0.1925	0.3125	0.3175	5/16	7/16	1/16
NF030508	3/16	x 5/16	0.1875	0.1925	0.3125	0.3175	1/2	7/16	1/16
NF030606	3/16	x 3/8	0.1875	0.1925	0.3750	0.3800	3/8	1/2	1/16
NF030707*	3/16	x 7/16	0.1875	0.1925	0.4375	0.4425	7/16	9/16	1/16
NF040603	1/4	x 3/8	0.2500	0.2550	0.3750	0.3800	3/16	1/2	1/16
NF040604	1/4	x 3/8	0.2500	0.2550	0.3750	0.3800	1/4	1/2	1/16
NF040605	1/4	x 3/8	0.2500	0.2550	0.3750	0.3800	5/16	1/2	1/16
NF040606	1/4	x 3/8	0.2500	0.2550	0.3750	0.3800	3/8	1/2	1/16
NF040608	1/4	x 3/8	0.2500	0.2550	0.3750	0.3800	1/2	1/2	1/16
NF040610*	1/4	x 3/8	0.2500	0.2550	0.3750	0.3800	5/8	1/2	1/16
NF040612	1/4	x 3/8	0.2500	0.2550	0.3750	0.3800	3/4	1/2	1/16
NF040707	1/4	x 7/16	0.2500	0.2550	0.4375	0.4425	7/16	9/16	1/16
NF040805*	1/4	x 1/2	0.2500	0.2550	0.5000	0.5050	5/16	5/8	1/16
NF040806	1/4	x 1/2	0.2500	0.2550	0.5000	0.5050	3/8	5/8	1/16
NF040807*	1/4	x 1/2	0.2500	0.2550	0.5000	0.5050	7/16	5/8	1/16
NF040808	1/4	x 1/2	0.2500	0.2550	0.5000	0.5050	1/2	5/8	1/16
NF050705	5/16	x 7/16	0.3125	0.3175	0.4375	0.4425	5/16	9/16	1/16
NF050707	5/16	x 7/16	0.3125	0.3175	0.4375	0.4425	7/16	9/16	1/16
NF050708	5/16	x 7/16	0.3125	0.3175	0.4375	0.4425	1/2	9/16	1/16
NF050712*	5/16	x 7/16	0.3125	0.3175	0.4375	0.4425	3/4	9/16	1/16
NF050808	5/16	x 1/2	0.3125	0.3175	0.5000	0.5050	1/2	5/8	1/16
NF050909	5/16	x 9/16	0.3125	0.3175	0.5625	0.5675	9/16	11/16	1/16
NF060803	3/8	x 1/2	0.3750	0.3800	0.5000	0.5050	3/16	5/8	1/16
NF060804	3/8	x 1/2	0.3750	0.3800	0.5000	0.5050	1/4	5/8	1/16
NF060805	3/8	x 1/2	0.3750	0.3800	0.5000	0.5050	5/16	5/8	1/16
NF060806	3/8	x 1/2	0.3750	0.3800	0.5000	0.5050	3/8	5/8	1/16
NF060808	3/8	x 1/2	0.3750	0.3800	0.5000	0.5050	1/2	5/8	1/16
NF060810	3/8	x 1/2	0.3750	0.3800	0.5000	0.5050	5/8	5/8	1/16
NF060812	3/8	x 1/2	0.3750	0.3800	0.5000	0.5050	3/4	5/8	1/16
NF060816	3/8	x 1/2	0.3750	0.3800	0.5000	0.5050	1	5/8	1/16
NF060907	3/8	x 9/16	0.3750	0.3800	0.5625	0.5675	7/16	11/16	1/16
NF060909	3/8	x 9/16	0.3750	0.3800	0.5625	0.5675	9/16	11/16	1/16
NF061010	3/8	x 5/8	0.3750	0.3800	0.6250	0.6300	5/8	3/4	1/16
NF061016	3/8	x 5/8	0.3750	0.3800	0.6250	0.6300	1	3/4	1/16
NF070909	7/16	x 9/16	0.4375	0.4425	0.5625	0.5675	9/16	11/16	1/16
NF070912	7/16	x 9/16	0.4375	0.4425	0.5625	0.5675	3/4	11/16	1/16
NF071010	7/16	x 5/8	0.4375	0.4425	0.6250	0.6300	5/8	3/4	1/16
NF081004	1/2	x 5/8	0.5000	0.5050	0.6250	0.6300	1/4	3/4	1/16
NF081006	1/2	x 5/8	0.5000	0.5050	0.6250	0.6300	3/8	3/4	1/16
NF081007*	1/2	x 5/8	0.5000	0.5050	0.6250	0.6300	7/16	3/4	1/16
NF081008	1/2	x 5/8	0.5000	0.5050	0.6250	0.6300	1/2	3/4	1/16
NF081010	1/2	x 5/8	0.5000	0.5050	0.6250	0.6300	5/8	3/4	1/16
NF081012	1/2	x 5/8	0.5000	0.5050	0.6250	0.6300	3/4	3/4	1/16
NF081016	1/2	x 5/8	0.5000	0.5050	0.6250	0.6300	1	3/4	1/16
NF081024	1/2	x 5/8	0.5000	0.5050	0.6250	0.6300	1 1/2	3/4	1/16
NF081111	1/2	x 11/16	0.5000	0.5050	0.6875	0.6925	11/16	13/16	1/16
NF081207	1/2	x 3/4	0.5000	0.5050	0.7500	0.7550	7/16	7/8	1/16
NF081212	1/2	x 3/4	0.5000	0.5050	0.7500	0.7550	3/4	7/8	1/16
NF081216	1/2	x 3/4	0.5000	0.5050	0.7500	0.7550	1	7/8	1/16

*When current inventory is depleted, these sizes will be supplied on special order basis only. Minimum order quantities may apply.



Nylon Flanged Bearings

PART NUMBER	NOMINAL SIZES			I.D. Min.	I.D. Max.	O.D. Min.	O.D. Max.	LENGTH/THK. ± 0.015 "	FLANGE O.D. ± 0.015 "	FLANGE THK. ± 0.005 "
	I.D.	x	O.D.							
NF081224	1/2	x	3/4	0.5000	0.5050	0.7500	0.7550	1 1/2	7/8	1/16
NF091111	9/16	x	11/16	0.5625	0.5675	0.5625	0.6925	11/16	7/8	1/16
NF091212	9/16	x	3/4	0.5625	0.5675	0.5625	0.7550	3/4	7/8	1/16
NF101206	5/8	x	3/4	0.6250	0.6300	0.7500	0.7550	3/8	15/16	1/16
NF101207	5/8	x	3/4	0.6250	0.6300	0.7500	0.7550	7/16	15/16	1/16
NF101210*	5/8	x	3/4	0.6250	0.6300	0.7500	0.7550	5/8	15/16	1/16
NF101212	5/8	x	3/4	0.6250	0.6300	0.7500	0.7550	3/4	15/16	1/16
NF101216	5/8	x	3/4	0.6250	0.6300	0.7500	0.7550	1	15/16	1/16
NF101220	5/8	x	3/4	0.6250	0.6300	0.7500	0.7550	1 1/4	15/16	1/16
NF101313*	5/8	x	13/16	0.6250	0.6300	0.8125	0.8175	13/16	1	1/16
NF101408	5/8	x	7/8	0.6250	0.6300	0.8750	0.8800	1/2	1 1/16	1/16
NF101411*	5/8	x	7/8	0.6250	0.6300	0.8750	0.8800	11/16	1 1/16	1/16
NF101412	5/8	x	7/8	0.6250	0.6300	0.8750	0.8800	3/4	1 1/16	1/16
NF101414*	5/8	x	7/8	0.6250	0.6300	0.8750	0.8800	7/8	1 1/16	1/16
NF121410	3/4	x	7/8	0.7500	0.7550	0.8750	0.8800	5/8	1 1/16	1/16
NF121412	3/4	x	7/8	0.7500	0.7550	0.8750	0.8800	3/4	1 1/16	1/16
NF121413*	3/4	x	7/8	0.7500	0.7550	0.8750	0.8800	13/16	1 1/16	1/16
NF121414	3/4	x	7/8	0.7500	0.7550	0.8750	0.8800	7/8	1 1/16	1/16
NF121416	3/4	x	7/8	0.7500	0.7550	0.8750	0.8800	1	1 1/16	1/16
NF121418*	3/4	x	7/8	0.7500	0.7550	0.8750	0.8800	1 1/8	1 1/16	1/16
NF121420	3/4	x	7/8	0.7500	0.7550	0.8750	0.8800	1 1/4	1 1/16	1/16
NF121515	3/4	x	15/16	0.7500	0.7550	0.9375	0.9425	15/16	1 1/8	1/16
NF121614	3/4	x	1	0.7500	0.7550	1.0000	1.0050	7/8	1 3/16	1/16
NF121616	3/4	x	1	0.7500	0.7550	1.0000	1.0050	1	1 3/16	1/16
NF121618*	3/4	x	1	0.7500	0.7550	1.0000	1.0050	1 1/8	1 3/16	1/16
NF121624	3/4	x	1	0.7500	0.7550	1.0000	1.0050	1 1/2	1 3/16	1/16
NF141616	7/8	x	1	0.8750	0.8800	1.0000	1.0050	1	1 3/16	1/16
NF141818	7/8	x	1 1/8	0.8750	0.8800	1.1250	1.1300	1 1/8	1 5/16	1/16
NF161818	1	x	1 1/8	1.0000	1.0050	1.1250	1.1300	1 1/8	1 5/16	1/16
NF161824*	1	x	1 1/8	1.0000	1.0050	1.1250	1.1300	1 1/2	1 5/16	1/16
NF161919	1	x	1 3/16	1.0000	1.0050	1.1875	1.1925	1 3/16	1 3/8	1/16
NF162016	1	x	1 1/4	1.0000	1.0050	1.2500	1.2550	1	1 7/16	1/16
NF162020	1	x	1 1/4	1.0000	1.0050	1.2500	1.2550	1 1/4	1 7/16	1/16

*When current inventory is depleted, these sizes will be supplied on special order basis only. Minimum order quantities may apply.



Nylon Thrust Washers

PART NUMBER	NOMINAL SIZES			I.D. Min.	I.D. Max.	O.D. Min.	O.D. Max.	LENGTH/ THICKNESS ±0.015"
	I.D.	x	O.D.					
NT020601*	1/8	x	3/8	0.1100	0.1400	0.3600	0.3900	1/16
NT030701*	3/16	x	7/16	0.1725	0.2025	0.4225	0.4525	1/16
NT031002*	3/16	x	5/8	0.1725	0.2025	0.6100	0.6400	1/8
NT031101*	3/16	x	11/16	0.1725	0.2025	0.6725	0.7025	1/16
NT040701*	1/4	x	7/16	0.2350	0.2650	0.4225	0.4525	1/16
NT040801	1/4	x	1/2	0.2350	0.2650	0.4850	0.5150	1/16
NT041001	1/4	x	5/8	0.2350	0.2650	0.6100	0.6400	1/16
NT04101.5	1/4	x	5/8	0.2350	0.2650	0.6100	0.6400	3/32
NT041104*	1/4	x	11/16	0.2350	0.2650	0.6725	0.7025	1/4
NT041301*	1/4	x	13/16	0.2350	0.2650	0.7975	0.8275	1/16
NT051001	5/16	x	5/8	0.2975	0.3275	0.6100	0.6400	1/16
NT05121.5	5/16	x	3/4	0.2975	0.3275	0.7350	0.7650	3/32
NT061201	3/8	x	3/4	0.3600	0.3900	0.7350	0.7650	1/16
NT06121.5*	3/8	x	3/4	0.3600	0.3900	0.7350	0.7650	3/32
NT061202	3/8	x	3/4	0.3600	0.3900	0.7350	0.7650	1/8
NT061401	3/8	x	7/8	0.3600	0.3900	0.8600	0.8900	1/16
NT061704*	3/8	x	1 1/16	0.3600	0.3900	1.0475	1.0775	1/4
NT062001*	3/8	x	1 1/4	0.3600	0.3900	1.2350	1.2650	1/16
NT071201*	7/16	x	3/4	0.4225	0.4525	0.7350	0.7650	1/16
NT07141.5*	7/16	x	7/8	0.4225	0.4525	0.8600	0.8900	3/32
NT071501*	7/16	x	15/16	0.4225	0.4525	0.9225	0.9525	1/16
NT071704*	7/16	x	1 1/16	0.4225	0.4525	1.0475	1.0775	1/4
NT081201	1/2	x	3/4	0.4850	0.5150	0.7350	0.7650	1/16
NT081301*	1/2	x	13/16	0.4850	0.5150	0.7975	0.8275	1/16
NT081401	1/2	x	7/8	0.4850	0.5150	0.8600	0.8900	1/16
NT081601	1/2	x	1	0.4850	0.5150	0.9850	1.0150	1/16
NT08161.5*	1/2	x	1	0.4850	0.5150	0.9850	1.0150	3/32
NT081602	1/2	x	1	0.4850	0.5150	0.9850	1.0150	1/8
NT091301	9/16	x	13/16	0.5475	0.5775	0.7975	0.8275	1/16
NT101301	5/8	x	13/16	0.6100	0.6400	0.7975	0.8275	1/16
NT101801	5/8	x	1 1/8	0.6100	0.6400	1.1100	1.1400	1/16
NT101802*	5/8	x	1 1/8	0.6100	0.6400	1.1100	1.1400	1/8
NT102001	5/8	x	1 1/4	0.6100	0.6400	1.2350	1.2650	1/16
NT102002*	5/8	x	1 1/4	0.6100	0.6400	1.2350	1.2650	1/8
NT102401*	5/8	x	1 1/2	0.6100	0.6400	1.4850	1.5150	1/16
NT121801	3/4	x	1 1/8	0.7350	0.7650	1.1100	1.1400	1/16
NT121802*	3/4	x	1 1/8	0.7350	0.7650	1.1100	1.1400	1/8
NT122001	3/4	x	1 1/4	0.7350	0.7650	1.2350	1.2650	1/16
NT122002	3/4	x	1 1/4	0.7350	0.7650	1.2350	1.2650	1/8
NT122202	3/4	x	1 3/8	0.7350	0.7650	1.3600	1.3900	1/8
NT122402*	3/4	x	1 1/2	0.7350	0.7650	1.4850	1.5150	1/8
NT123202	3/4	x	2	0.7350	0.7650	1.9850	2.0150	1/8

*When current inventory is depleted, these sizes will be supplied on special order basis only. Minimum order quantities may apply.

Bunting PTFE Bearings and Bars

Bunting BJ2 (JLON 2100), BJ4 (JLON 4200), BJ5 (JLON 5500), and BJ7 (JLON 7000) bar stock are manufactured from specially formulated PTFE compounds machined to close tolerances. These materials provide a low coefficient of friction, a broad temperature range, zero water absorption, and are available in a wide range of standard sizes. Bunting PTFE bearings can be utilized completely lubrication-free and have excellent wear resistance. These bearings perform reliably and efficiently at extreme temperatures, in corrosive environments, and in other demanding applications.

BJ2 bearings and bars provide high levels of strength, rigidity, toughness, wear resistance and chemical resistance. They are engineered to satisfy a wide range of service requirements. (JLON 2100)
Temperature range: -250°F/+550°F

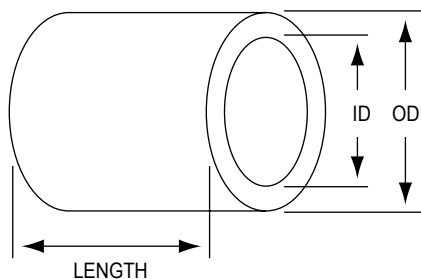
BJ4 bearings and bars operate at PV values up to approximately 30,000 dry. Ideal for rotary and linear bearings, BJ4 eliminates the need for lubrication in almost any environment. (JLON 4200)
Temperature range: -250°F/+550°F

BJ5 bearings and bars are polymer reinforced, BJ5 runs against soft mating surfaces such as mild steel, aluminum, and SAE 316 stainless steel without the mating surface wear typically found when other filled PTFE compounds are employed. (JLON 5500)
Temperature range: -250°F/+550°F

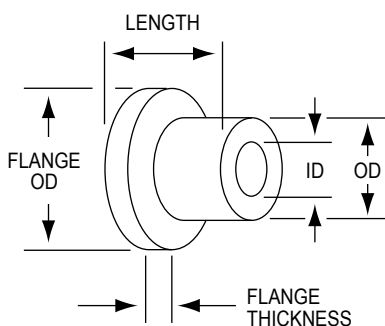
BJ7 bearings and bars are made from a specially formulated PTFE compound, designed for high load and wear resistance in food and drug contact applications. All of the components of BJ7 are FDA compliant and non-toxic. (JLON 7000)
Temperature range: -250°F/+550°F

BJ Liner bearings reduce material cost while being incredibly versatile. Their improved load capacity is achieved by capturing a minimum thickness of BJ tape inside a steel shell. (JLON 4200 Tape Liner)
Temperature range: -400°F/+550°F

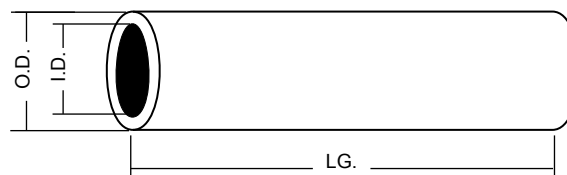
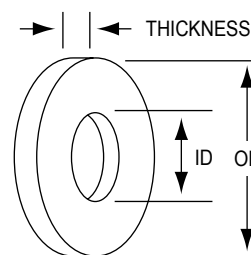
PLAIN BEARINGS



FLANGED BEARINGS



THRUST WASHERS





PTFE BJ2 Sleeve (Plain) Bearings

PART NUMBER	NOMINAL SIZES		I.D. Min.	I.D. Max.	O.D. Min.	O.D. Max.	LENGTH/ THK.	RECOMMENDED	
	I.D.	O.D.						HOUSING BORE	SHAFT SIZE
BJ2S020402*	1/8	x 1/4	0.1290	0.1310	0.2510	0.2530	1/4	0.2500	0.1250
BJ2S020403*	1/8	x 1/4	0.1290	0.1310	0.2510	0.2530	3/8	0.2500	0.1250
BJ2S030502*	3/16	x 5/16	0.1910	0.1930	0.3130	0.3150	1/4	0.3125	0.1875
BJ2S030503*	3/16	x 5/16	0.1910	0.1930	0.3130	0.3150	3/8	0.3125	0.1875
BJ2S030504*	3/16	x 5/16	0.1910	0.1930	0.3130	0.3150	1/2	0.3125	0.1875
BJ2S040602*	1/4	x 3/8	0.2540	0.2560	0.3760	0.3780	1/4	0.3750	0.2500
BJ2S040603*	1/4	x 3/8	0.2540	0.2560	0.3760	0.3780	3/8	0.3750	0.2500
BJ2S040604*	1/4	x 3/8	0.2540	0.2560	0.3760	0.3780	1/2	0.3750	0.2500
BJ2S050803*	5/16	x 1/2	0.3160	0.3180	0.5010	0.5030	3/8	0.5000	0.3125
BJ2S050804*	5/16	x 1/2	0.3160	0.3180	0.5010	0.5030	1/2	0.5000	0.3125
BJ2S060903*	3/8	x 9/16	0.3790	0.3810	0.5630	0.5650	3/8	0.5625	0.3750
BJ2S060904*	3/8	x 9/16	0.3790	0.3810	0.5630	0.5650	1/2	0.5625	0.3750
BJ2S060906*	3/8	x 9/16	0.3790	0.3810	0.5630	0.5650	3/4	0.5625	0.3750
BJ2S071003*	7/16	x 5/8	0.4410	0.4430	0.6260	0.6280	3/8	0.6250	0.4375
BJ2S071004*	7/16	x 5/8	0.4410	0.4430	0.6260	0.6280	1/2	0.6250	0.4375
BJ2S071006*	7/16	x 5/8	0.4410	0.4430	0.6260	0.6280	3/4	0.6250	0.4375
BJ2S081204*	1/2	x 3/4	0.5040	0.5060	0.7510	0.7530	1/2	0.7500	0.5000
BJ2S081206*	1/2	x 3/4	0.5040	0.5060	0.7510	0.7530	3/4	0.7500	0.5000
BJ2S081208*	1/2	x 3/4	0.5040	0.5060	0.7510	0.7530	1	0.7500	0.5000
BJ2S091304*	9/16	x 13/16	0.5670	0.5690	0.8130	0.8150	1/2	0.8125	0.5625
BJ2S091306*	9/16	x 13/16	0.5670	0.5690	0.8130	0.8150	3/4	0.8125	0.5625
BJ2S091308*	9/16	x 13/16	0.5670	0.5690	0.8130	0.8150	1	0.8125	0.5625
BJ2S101405*	5/8	x 7/8	0.6300	0.6320	0.8760	0.8780	5/8	0.8750	0.6250
BJ2S101406*	5/8	x 7/8	0.6300	0.6320	0.8760	0.8780	3/4	0.8750	0.6250
BJ2S101408*	5/8	x 7/8	0.6300	0.6320	0.8760	0.8780	1	0.8750	0.6250
BJ2S111506*	11/16	x 15/16	0.6930	0.6950	0.9380	0.9400	3/4	0.9375	0.6875
BJ2S121604*	3/4	x 1	0.7550	0.7570	1.0010	1.0030	1/2	1.0000	0.7500
BJ2S121606*	3/4	x 1	0.7550	0.7570	1.0010	1.0030	3/4	1.0000	0.7500
BJ2S121608*	3/4	x 1	0.7550	0.7570	1.0010	1.0030	1	1.0000	0.7500
BJ2S121612*	3/4	x 1	0.7550	0.7570	1.0010	1.0030	1 1/2	1.0000	0.7500
BJ2S141806*	7/8	x 1 1/8	0.8800	0.8820	1.1260	1.1280	3/4	1.1250	0.8750
BJ2S141808*	7/8	x 1 1/8	0.8800	0.8820	1.1260	1.1280	1	1.1250	0.8750
BJ2S162006*	1	x 1 1/4	1.0050	1.0070	1.2510	1.2530	3/4	1.2500	1.0000
BJ2S162008*	1	x 1 1/4	1.0050	1.0070	1.2510	1.2530	1	1.2500	1.0000
BJ2S162012*	1	x 1 1/4	1.0050	1.0070	1.2510	1.2530	1 1/2	1.2500	1.0000
BJ2S182206*	1 1/8	x 1 3/8	1.1300	1.1320	1.3760	1.3780	3/4	1.3750	1.1250
BJ2S182208*	1 1/8	x 1 3/8	1.1300	1.1320	1.3760	1.3780	1	1.3750	1.1250
BJ2S182212*	1 1/8	x 1 3/8	1.1300	1.1320	1.3760	1.3780	1 1/2	1.3750	1.1250
BJ2S202406*	1 1/4	x 1 1/2	1.2550	1.2570	1.5010	1.5030	3/4	1.5000	1.2500
BJ2S202408*	1 1/4	x 1 1/2	1.2550	1.2570	1.5010	1.5030	1	1.5000	1.2500

*When current inventory is depleted, these sizes will be supplied on special order basis only. Minimum order quantities may apply.

BJ2 Tolerances I.D. and O.D. Sizes I.D. up to and including 2" +0.002/-0.000" Over 2" I.D. +0.003/-0.000" All lengths ±0.005"	Housing Bore Tolerances I.D. Size 1/8" to 1-7/8" +0.000/-0.001" 2" and over +0.000/-0.003"	Shaft Size Tolerances I.D. Size 1/8" to 1-1/2" +0.000/-0.001" 1-5/8" up to and including 2-1/4" +0.000/-0.0015" 2-1/2" and over +0.000/-0.002"
--	--	---



PTFE BJ2 Sleeve (Plain) Bearings

PART NUMBER	NOMINAL SIZES		I.D. Min.	I.D. Max.	O.D. Min.	O.D. Max.	LENGTH/THK.	RECOMMENDED	
	I.D.	O.D.						HOUSING BORE	SHAFT SIZE
BJ2S202412*	1 1/4	x 1 1/2	1.2550	1.2570	1.5010	1.5030	1 1/2	1.5000	1.2500
BJ2S202416*	1 1/4	x 1 1/2	1.2550	1.2570	1.5010	1.5030	2	1.5000	1.2500
BJ2S222608*	1 3/8	x 1 5/8	1.3800	1.3820	1.6260	1.6280	1	1.6250	1.3750
BJ2S222612*	1 3/8	x 1 5/8	1.3800	1.3820	1.6260	1.6280	1 1/2	1.6250	1.3750
BJ2S242808*	1 1/2	x 1 3/4	1.5060	1.5080	1.7510	1.7530	1	1.7500	1.5000
BJ2S242812*	1 1/2	x 1 3/4	1.5060	1.5080	1.7510	1.7530	1 1/2	1.7500	1.5000
BJ2S242816*	1 1/2	x 1 3/4	1.5060	1.5080	1.7510	1.7530	2	1.7500	1.5000
BJ2S263014*	1 5/8	x 1 7/8	1.6310	1.6330	1.8760	1.8780	1 3/4	1.8750	1.6250
BJ2S283214*	1 3/4	x 2	1.7560	1.7580	2.0010	2.0030	1 3/4	2.0000	1.7500
BJ2S303416*	1 7/8	x 2 1/8	1.8810	1.8830	2.1260	2.1280	2	2.1250	1.8750
BJ2S323616*	2	x 2 1/4	2.0060	2.0080	2.2510	2.2530	2	2.2500	2.0000
BJ2S323620*	2	x 2 1/4	2.0060	2.0080	2.2510	2.2530	2 1/2	2.2500	2.0000
BJ2S364020*	2 1/4	x 2 1/2	2.2590	2.2620	2.5020	2.5050	2 1/2	2.5000	2.2500
BJ2S404420*	2 1/2	x 2 3/4	2.5100	2.5130	2.7520	2.7550	2 1/2	2.7500	2.5000
BJ2S444824*	2 3/4	x 3	2.7590	2.7620	3.0020	3.0050	3	3.0000	2.7500
BJ2S485224*	3	x 3 1/4	3.0110	3.0140	3.2520	3.2550	3	3.2500	3.0000

*When current inventory is depleted, these sizes will be supplied on special order basis only. Minimum order quantities may apply.



PTFE BJ4 Sleeve (Plain) Bearings

PART NUMBER	NOMINAL SIZES		I.D. Min.	I.D. Max.	O.D. Min.	O.D. Max.	LENGTH/THK.	RECOMMENDED	
	I.D.	O.D.						HOUSING BORE	SHAFT SIZE
BJ4S020402	1/8	x 1/4	0.1290	0.1310	0.2510	0.2530	1/4	0.2500	0.1250
BJ4S020403	1/8	x 1/4	0.1290	0.1310	0.2510	0.2530	3/8	0.2500	0.1250
BJ4S030502	3/16	x 5/16	0.1910	0.1930	0.3130	0.3150	1/4	0.3125	0.1875
BJ4S030503	3/16	x 5/16	0.1910	0.1930	0.3130	0.3150	3/8	0.3125	0.1875
BJ4S030504	3/16	x 5/16	0.1910	0.1930	0.3130	0.3150	1/2	0.3125	0.1875
BJ4S040602	1/4	x 3/8	0.2540	0.2560	0.3760	0.3780	1/4	0.3750	0.2500
BJ4S040603	1/4	x 3/8	0.2540	0.2560	0.3760	0.3780	3/8	0.3750	0.2500
BJ4S040604	1/4	x 3/8	0.2540	0.2560	0.3760	0.3780	1/2	0.3750	0.2500
BJ4S050803	5/16	x 1/2	0.3160	0.3180	0.5010	0.5030	3/8	0.5000	0.3125
BJ4S050804	5/16	x 1/2	0.3160	0.3180	0.5010	0.5030	1/2	0.5000	0.3125
BJ4S060903	3/8	x 9/16	0.3790	0.3810	0.5630	0.5650	3/8	0.5625	0.3750
BJ4S060904	3/8	x 9/16	0.3790	0.3810	0.5630	0.5650	1/2	0.5625	0.3750

BJ2 and BJ4 Tolerances

I.D. and O.D. Sizes
 I.D. up to and including 2" +0.002/-0.000"
 Over 2" I.D. +0.003/-0.000"
 All lengths ±0.005"

Housing Bore Tolerances

I.D. Size
 1/8" to 1-7/8" +0.000/-0.001"
 2" and over
 +0.000/-0.003"

Shaft Size Tolerances

I.D. Size
 1/8" to 1-1/2" +0.000/-0.001"
 1-5/8" up to and including 2-1/4" +0.000/-0.0015"
 2-1/2" and over
 +0.000/-0.002"



PTFE BJ4 Sleeve (Plain) Bearings

PART NUMBER	NOMINAL SIZES			I.D. Min.	I.D. Max.	O.D. Min.	O.D. Max.	LENGTH/ THK.	RECOMMENDED	
	I.D.	x	O.D.						HOUSING BORE	SHAFT SIZE
BJ4S060906	3/8	x	9/16	0.3790	0.3810	0.5630	0.5650	3/4	0.5625	0.3750
BJ4S071003*	7/16	x	5/8	0.4410	0.4430	0.6260	0.6280	3/8	0.6250	0.4375
BJ4S071004	7/16	x	5/8	0.4410	0.4430	0.6260	0.6280	1/2	0.6250	0.4375
BJ4S071006	7/16	x	5/8	0.4410	0.4430	0.6260	0.6280	3/4	0.6250	0.4375
BJ4S081204	1/2	x	3/4	0.5040	0.5060	0.7510	0.7530	1/2	0.7500	0.5000
BJ4S081206	1/2	x	3/4	0.5040	0.5060	0.7510	0.7530	3/4	0.7500	0.5000
BJ4S081208	1/2	x	3/4	0.5040	0.5060	0.7510	0.7530	1	0.7500	0.5000
BJ4S091304	9/16	x	13/16	0.5670	0.5690	0.8130	0.8150	1/2	0.8125	0.5625
BJ4S091306*	9/16	x	13/16	0.5670	0.5690	0.8130	0.8150	3/4	0.8125	0.5625
BJ4S091308	9/16	x	13/16	0.5670	0.5690	0.8130	0.8150	1	0.8125	0.5625
BJ4S101405	5/8	x	7/8	0.6300	0.6320	0.8760	0.8780	5/8	0.8750	0.6250
BJ4S101406	5/8	x	7/8	0.6300	0.6320	0.8760	0.8780	3/4	0.8750	0.6250
BJ4S101408	5/8	x	7/8	0.6300	0.6320	0.8760	0.8780	1	0.8750	0.6250
BJ4S111506*	11/16	x	15/16	0.6930	0.6950	0.9380	0.9400	3/4	0.9375	0.6875
BJ4S121604	3/4	x	1	0.7550	0.7570	1.0010	1.0030	1/2	1.0000	0.7500
BJ4S121606	3/4	x	1	0.7550	0.7570	1.0010	1.0030	3/4	1.0000	0.7500
BJ4S121608	3/4	x	1	0.7550	0.7570	1.0010	1.0030	1	1.0000	0.7500
BJ4S121612	3/4	x	1	0.7550	0.7570	1.0010	1.0030	1 1/2	1.0000	0.7500
BJ4S141806	7/8	x	1 1/8	0.8800	0.8820	1.1260	1.1280	3/4	1.1250	0.8750
BJ4S141808	7/8	x	1 1/8	0.8800	0.8820	1.1260	1.1280	1	1.1250	0.8750
BJ4S162006	1	x	1 1/4	1.0050	1.0070	1.2510	1.2530	3/4	1.2500	1.0000
BJ4S162008	1	x	1 1/4	1.0050	1.0070	1.2510	1.2530	1	1.2500	1.0000
BJ4S162012	1	x	1 1/4	1.0050	1.0070	1.2510	1.2530	1 1/2	1.2500	1.0000
BJ4S182206	1 1/8	x	1 3/8	1.1300	1.1320	1.3760	1.3780	3/4	1.3750	1.1250
BJ4S182208	1 1/8	x	1 3/8	1.1300	1.1320	1.3760	1.3780	1	1.3750	1.1250
BJ4S182212	1 1/8	x	1 3/8	1.1300	1.1320	1.3760	1.3780	1 1/2	1.3750	1.1250
BJ4S202406	1 1/4	x	1 1/2	1.2550	1.2570	1.5010	1.5030	3/4	1.5000	1.2500
BJ4S202408	1 1/4	x	1 1/2	1.2550	1.2570	1.5010	1.5030	1	1.5000	1.2500

*When current inventory is depleted, these sizes will be supplied on special order basis only. Minimum order quantities may apply.

BJ4 Tolerances I.D. and O.D. Sizes

I.D. up to and including 2" +0.002/-0.000"
Over 2" I.D. +0.003/-0.000"
All lengths ±0.005"

Housing Bore Tolerances I.D. Size

1/8" to 1-7/8" +0.000/-0.001"
2" and over
+0.000/-0.003"

Shaft Size Tolerances I.D. Size

1/8" to 1-1/2" +0.000/-0.001"
1-5/8" up to and including 2-1/4" +0.000/-0.0015"
2-1/2" and over
+0.000/-0.002"



PTFE BJ5 Sleeve (Plain) Bearings

PART NUMBER	NOMINAL SIZES		I.D. Min.	I.D. Max.	O.D. Min.	O.D. Max.	LENGTH/ THK.	RECOMMENDED	
	I.D.	O.D.						HOUSING BORE	SHAFT SIZE
BJ5S020402	1/8	x 1/4	0.1290	0.1310	0.2510	0.2530	1/4	0.2500	0.1250
BJ5S020403*	1/8	x 1/4	0.1290	0.1310	0.2510	0.2530	3/8	0.2500	0.1250
BJ5S030502	3/16	x 5/16	0.1910	0.1930	0.3130	0.3150	1/4	0.3125	0.1875
BJ5S030503	3/16	x 5/16	0.1910	0.1930	0.3130	0.3150	3/8	0.3125	0.1875
BJ5S030504	3/16	x 5/16	0.1910	0.1930	0.3130	0.3150	1/2	0.3125	0.1875
BJ5S040602	1/4	x 3/8	0.2540	0.2560	0.3760	0.3780	1/4	0.3750	0.2500
BJ5S040603	1/4	x 3/8	0.2540	0.2560	0.3760	0.3780	3/8	0.3750	0.2500
BJ5S040604	1/4	x 3/8	0.2540	0.2560	0.3760	0.3780	1/2	0.3750	0.2500
BJ5S050803	5/16	x 1/2	0.3160	0.3180	0.5010	0.5030	3/8	0.5000	0.3125
BJ5S050804	5/16	x 1/2	0.3160	0.3180	0.5010	0.5030	1/2	0.5000	0.3125
BJ5S060903	3/8	x 9/16	0.3790	0.3810	0.5630	0.5650	3/8	0.5625	0.3750
BJ5S060904	3/8	x 9/16	0.3790	0.3810	0.5630	0.5650	1/2	0.5625	0.3750
BJ5S060906	3/8	x 9/16	0.3790	0.3810	0.5630	0.5650	3/4	0.5625	0.3750
BJ5S071003	7/16	x 5/8	0.4410	0.4430	0.6260	0.6280	3/8	0.6250	0.4375
BJ5S071004*	7/16	x 5/8	0.4410	0.4430	0.6260	0.6280	1/2	0.6250	0.4375
BJ5S071006*	7/16	x 5/8	0.4410	0.4430	0.6260	0.6280	3/4	0.6250	0.4375
BJ5S081204	1/2	x 3/4	0.5040	0.5060	0.7510	0.7530	1/2	0.7500	0.5000
BJ5S081206	1/2	x 3/4	0.5040	0.5060	0.7510	0.7530	3/4	0.7500	0.5000
BJ5S081208	1/2	x 3/4	0.5040	0.5060	0.7510	0.7530	1	0.7500	0.5000
BJ5S091304*	9/16	x 13/16	0.5670	0.5690	0.8130	0.8150	1/2	0.8125	0.5625
BJ5S091306*	9/16	x 13/16	0.5670	0.5690	0.8130	0.8150	3/4	0.8125	0.5625
BJ5S091308*	9/16	x 13/16	0.5670	0.5690	0.8130	0.8150	1	0.8125	0.5625
BJ5S101405*	5/8	x 7/8	0.6300	0.6320	0.8760	0.8780	5/8	0.8750	0.6250
BJ5S101406	5/8	x 7/8	0.6300	0.6320	0.8760	0.8780	3/4	0.8750	0.6250
BJ5S101408	5/8	x 7/8	0.6300	0.6320	0.8760	0.8780	1	0.8750	0.6250
BJ5S111506*	11/16	x 15/16	0.6930	0.6950	0.9380	0.9400	3/4	0.9375	0.6875
BJ5S121604	3/4	x 1	0.7550	0.7570	1.0010	1.0030	1/2	1.0000	0.7500
BJ5S121606	3/4	x 1	0.7550	0.7570	1.0010	1.0030	3/4	1.0000	0.7500
BJ5S121608	3/4	x 1	0.7550	0.7570	1.0010	1.0030	1	1.0000	0.7500
BJ5S121612*	3/4	x 1	0.7550	0.7570	1.0010	1.0030	1 1/2	1.0000	0.7500
BJ5S141806	7/8	x 1 1/8	0.8800	0.8820	1.1260	1.1280	3/4	1.1250	0.8750
BJ5S141808	7/8	x 1 1/8	0.8800	0.8820	1.1260	1.1280	1	1.1250	0.8750
BJ5S162006	1	x 1 1/4	1.0050	1.0070	1.2510	1.2530	3/4	1.2500	1.0000
BJ5S162008	1	x 1 1/4	1.0050	1.0070	1.2510	1.2530	1	1.2500	1.0000
BJ5S162012	1	x 1 1/4	1.0050	1.0070	1.2510	1.2530	1 1/2	1.2500	1.0000
BJ5S182206*	1 1/8	x 1 3/8	1.1300	1.1320	1.3760	1.3780	3/4	1.3750	1.1250
BJ5S182208	1 1/8	x 1 3/8	1.1300	1.1320	1.3760	1.3780	1	1.3750	1.1250
BJ5S182212	1 1/8	x 1 3/8	1.1300	1.1320	1.3760	1.3780	1 1/2	1.3750	1.1250
BJ5S202406*	1 1/4	x 1 1/2	1.2550	1.2570	1.5010	1.5030	3/4	1.5000	1.2500
BJ5S202408*	1 1/4	x 1 1/2	1.2550	1.2570	1.5010	1.5030	1	1.5000	1.2500
BJ5S202412*	1 1/4	x 1 1/2	1.2550	1.2570	1.5010	1.5030	1 1/2	1.5000	1.2500

*When current inventory is depleted, these sizes will be supplied on special order basis only. Minimum order quantities may apply.

BJ5 Tolerances

I.D. and O.D. Sizes

I.D. up to and including 2" +0.002/-0.000"
Over 2" I.D. +0.003/-0.000"
All lengths ±0.005"

Housing Bore Tolerances

I.D. Size

1/8" to 1-7/8" +0.000/-0.001"
2" and over
+0.000/-0.003"

Shaft Size Tolerances

I.D. Size

1/8" to 1-1/2" +0.000/-0.001"
1-5/8" up to and including 2-1/4" +0.000/-0.0015"
2-1/2" and over
+0.000/-0.002"



PTFE BJ5 Sleeve (Plain) Bearings

PART NUMBER	NOMINAL SIZES		I.D. Min.	I.D. Max.	O.D. Min.	O.D. Max.	LENGTH/THK.	RECOMMENDED	
	I.D.	O.D.						HOUSING BORE	SHAFT SIZE
BJ5S202416*	1 1/4	x 1 1/2	1.2550	1.2570	1.5010	1.5030	2	1.5000	1.2500
BJ5S222608	1 3/8	x 1 5/8	1.3800	1.3820	1.6260	1.6280	1	1.6250	1.3750
BJ5S222612	1 3/8	x 1 5/8	1.3800	1.3820	1.6260	1.6280	1 1/2	1.6250	1.3750
BJ5S242808	1 1/2	x 1 3/4	1.5060	1.5080	1.7510	1.7530	1	1.7500	1.5000
BJ5S242812*	1 1/2	x 1 3/4	1.5060	1.5080	1.7510	1.7530	1 1/2	1.7500	1.5000
BJ5S242816*	1 1/2	x 1 3/4	1.5060	1.5080	1.7510	1.7530	2	1.7500	1.5000

*When current inventory is depleted, these sizes will be supplied on special order basis only. Minimum order quantities may apply.



PTFE BJ7 Sleeve (Plain) Bearings

PART NUMBER	NOMINAL SIZES		I.D. Min.	I.D. Max.	O.D. Min.	O.D. Max.	LENGTH/THK.	RECOMMENDED	
	I.D.	O.D.						HOUSING BORE	SHAFT SIZE
BJ7S040602*	1/4	x 3/8	0.2540	0.2560	0.3760	0.3780	1/4	0.3750	0.2500
BJ7S040603	1/4	x 3/8	0.2540	0.2560	0.3760	0.3780	3/8	0.3750	0.2500
BJ7S060903	3/8	x 9/16	0.3790	0.3810	0.5630	0.5650	3/8	0.5625	0.3750
BJ7S081204	1/2	x 3/4	0.5040	0.5060	0.7510	0.7530	1/2	0.7500	0.5000
BJ7S101405*	5/8	x 7/8	0.6300	0.6320	0.8760	0.8780	5/8	0.8750	0.6250
BJ7S101408	5/8	x 7/8	0.6300	0.6320	0.8760	0.8780	1	0.8750	0.6250
BJ7S121606	3/4	x 1	0.7550	0.7570	1.0010	1.0030	3/4	1.0000	0.7500
BJ7S121612	3/4	x 1	0.7550	0.7570	1.0010	1.0030	1 1/2	1.0000	0.7500
BJ7S162008	1	x 1 1/4	1.0050	1.0070	1.2510	1.2530	1	1.2500	1.0000
BJ7S162012	1	x 1 1/4	1.0050	1.0070	1.2510	1.2530	1 1/2	1.2500	1.0000
BJ7S202416*	1 1/4	x 1 1/2	1.2550	1.2570	1.5010	1.5030	2	1.5000	1.2500
BJ7S242816	1 1/2	x 1 3/4	1.5060	1.5080	1.7510	1.7530	2	1.7500	1.5000

*When current inventory is depleted, these sizes will be supplied on special order basis only. Minimum order quantities may apply.

BJ5 and BJ7 Tolerances I.D. and O.D. Sizes I.D. up to and including 2" +0.002/-0.000" Over 2" I.D. +0.003/-0.000" All lengths ±0.005"	Housing Bore Tolerances I.D. Size 1/8" to 1-7/8" +0.000/-0.001" 2" and over +0.000/-0.003"	Shaft Size Tolerances I.D. Size 1/8" to 1-1/2" +0.000/-0.001" 1-5/8" up to and including 2-1/4" +0.000/-0.0015" 2-1/2" and over +0.000/-0.002"
--	--	---



PTFE BJ2 Flanged Bearings

PART NUMBER	NOMINAL SIZES		I.D. Min.	I.D. Max.	O.D. Min.	O.D. Max.	LENGTH/THK.	FLANGE		RECOMMENDED	
	I.D.	O.D.						O.D.	THK.	HOUSING BORE	SHAFT SIZE
BJ2F030502*	3/16	x 5/16	0.1910	0.1930	0.3130	0.3150	1/4	7/16	1/16	0.3125	0.1875
BJ2F030504*	3/16	x 5/16	0.1910	0.1930	0.3130	0.3150	1/2	7/16	1/16	0.3125	0.1875
BJ2F040603*	1/4	x 3/8	0.2540	0.2560	0.3760	0.3780	3/8	1/2	1/16	0.3750	0.2500
BJ2F040604*	1/4	x 3/8	0.2540	0.2560	0.3760	0.3780	1/2	1/2	1/16	0.3750	0.2500
BJ2F061004*	3/8	x 5/8	0.3790	0.3810	0.6260	0.6280	1/2	7/8	1/8	0.6250	0.3750
BJ2F061006*	3/8	x 5/8	0.3790	0.3810	0.6260	0.6280	3/4	7/8	1/8	0.6250	0.3750
BJ2F081204*	1/2	x 3/4	0.5040	0.5060	0.7510	0.7530	1/2	1	1/8	0.7500	0.5000
BJ2F081206*	1/2	x 3/4	0.5040	0.5060	0.7510	0.7530	3/4	1	1/8	0.7500	0.5000
BJ2F081208*	1/2	x 3/4	0.5040	0.5060	0.7510	0.7530	1	1	1/8	0.7500	0.5000
BJ2F101406*	5/8	x 7/8	0.6300	0.6320	0.8760	0.8780	3/4	1	1/8	0.8750	0.6250
BJ2F101408*	5/8	x 7/8	0.6300	0.6320	0.8760	0.8780	1	1	1/8	0.8750	0.6250
BJ2F121608*	3/4	x 1	0.7550	0.7570	1.0010	1.0030	1	1 1/4	1/8	1.0000	0.7500
BJ2F162012*	1	x 1 1/4	1.0050	1.0070	1.2510	1.2530	1 1/2	1 1/2	1/8	1.2500	1.0000
BJ2F202416*	1 1/4	x 1 1/2	1.2550	1.2570	1.5010	1.5030	2	1 3/4	1/8	1.5000	1.2500
BJ2F242816*	1 1/2	x 1 3/4	1.5060	1.5080	1.7510	1.7530	2	2	1/8	1.7500	1.5000
BJ2F283224*	1 3/4	x 2	1.7560	1.7580	2.0010	2.0030	3	2 1/4	1/8	2.0000	1.7500
BJ2F323624*	2	x 2 1/4	2.0060	2.0080	2.2510	2.2530	3	2 1/2	1/8	2.2500	2.0000

*When current inventory is depleted, these sizes will be supplied on special order basis only. Minimum order quantities may apply.



PTFE BJ4 Flanged Bearings

PART NUMBER	NOMINAL SIZES		I.D. Min.	I.D. Max.	O.D. Min.	O.D. Max.	LENGTH/THK.	FLANGE		RECOMMENDED	
	I.D.	O.D.						O.D.	THK.	HOUSING BORE	SHAFT SIZE
BJ4F030502	3/16	x 5/16	0.1910	0.1930	0.3130	0.3150	1/4	7/16	1/16	0.3125	0.1875
BJ4F030504	3/16	x 5/16	0.1910	0.1930	0.3130	0.3150	1/2	7/16	1/16	0.3125	0.1875
BJ4F040603	1/4	x 3/8	0.2540	0.2560	0.3760	0.3780	3/8	1/2	1/16	0.3750	0.2500
BJ4F040604	1/4	x 3/8	0.2540	0.2560	0.3760	0.3780	1/2	1/2	1/16	0.3750	0.2500
BJ4F061004	3/8	x 5/8	0.3790	0.3810	0.6260	0.6280	1/2	7/8	1/8	0.6250	0.3750
BJ4F061006	3/8	x 5/8	0.3790	0.3810	0.6260	0.6280	3/4	7/8	1/8	0.6250	0.3750
BJ4F081204	1/2	x 3/4	0.5040	0.5060	0.7510	0.7530	1/2	1	1/8	0.7500	0.5000
BJ4F081206	1/2	x 3/4	0.5040	0.5060	0.7510	0.7530	3/4	1	1/8	0.7500	0.5000
BJ4F081208	1/2	x 3/4	0.5040	0.5060	0.7510	0.7530	1	1	1/8	0.7500	0.5000
BJ4F101406	5/8	x 7/8	0.6300	0.6320	0.8760	0.8780	3/4	1	1/8	0.8750	0.6250
BJ4F101408	5/8	x 7/8	0.6300	0.6320	0.8760	0.8780	1	1	1/8	0.8750	0.6250
BJ4F121608	3/4	x 1	0.7550	0.7570	1.0010	1.0030	1	1 1/4	1/8	1.0000	0.7500
BJ4F162012	1	x 1 1/4	1.0050	1.0070	1.2510	1.2530	1 1/2	1 1/2	1/8	1.2500	1.0000
BJ4F202416	1 1/4	x 1 1/2	1.2550	1.2570	1.5010	1.5030	2	1 3/4	1/8	1.5000	1.2500
BJ4F242816	1 1/2	x 1 3/4	1.5060	1.5080	1.7510	1.7530	2	2	1/8	1.7500	1.5000
BJ4F283224	1 3/4	x 2	1.7560	1.7580	2.0010	2.0030	3	2 1/4	1/8	2.0000	1.7500
BJ4F323624	2	x 2 1/4	2.0060	2.0080	2.2510	2.2530	3	2 1/2	1/8	2.2500	2.0000

BJ2 and BJ4 Tolerances I.D. and O.D. Sizes

I.D. up to and including 2"	+0.002/-0.000"
Over 2" I.D.	+0.003/-0.000"
All lengths	±0.005"
Flange O.D.	±0.005"
Flange Thickness	±0.003"

Housing Bore Tolerances I.D. Size

1/8" to 1-7/8"	+0.000/-0.001"
2" and over	+0.000/-0.003"

Shaft Size Tolerances I.D. Size

1/8" to 1-1/2"	+0.000/-0.001"
1-5/8" up to and including 2-1/4"	+0.000/-0.0015"
2-1/2" and over	+0.000/-0.002"



PTFE BJ5 Flanged Bearings

PART NUMBER	NOMINAL SIZES			I.D. Min.	I.D. Max.	O.D. Min.	O.D. Max.	LENGTH/THK.	FLANGE		RECOMMENDED	
	I.D.	x	O.D.						O.D.	THK.	HOUSING BORE	SHAFT SIZE
BJ5F030502*	3/16	x	5/16	0.1910	0.1930	0.3130	0.3150	1/4	7/16	1/16	0.3125	0.1875
BJ5F030504	3/16	x	5/16	0.1910	0.1930	0.3130	0.3150	1/2	7/16	1/16	0.3125	0.1875
BJ5F040603	1/4	x	3/8	0.2540	0.2560	0.3760	0.3780	3/8	1/2	1/16	0.3750	0.2500
BJ5F040604	1/4	x	3/8	0.2540	0.2560	0.3760	0.3780	1/2	1/2	1/16	0.3750	0.2500
BJ5F061004	3/8	x	5/8	0.3790	0.3810	0.6260	0.6280	1/2	7/8	1/8	0.6250	0.3750
BJ5F061006	3/8	x	5/8	0.3790	0.3810	0.6260	0.6280	3/4	7/8	1/8	0.6250	0.3750
BJ5F081204	1/2	x	3/4	0.5040	0.5060	0.7510	0.7530	1/2	1	1/8	0.7500	0.5000
BJ5F081206	1/2	x	3/4	0.5040	0.5060	0.7510	0.7530	3/4	1	1/8	0.7500	0.5000
BJ5F081208	1/2	x	3/4	0.5040	0.5060	0.7510	0.7530	1	1	1/8	0.7500	0.5000
BJ5F101406	5/8	x	7/8	0.6300	0.6320	0.8760	0.8780	3/4	1	1/8	0.8750	0.6250
BJ5F101408	5/8	x	7/8	0.6300	0.6320	0.8760	0.8780	1	1	1/8	0.8750	0.6250
BJ5F121608	3/4	x	1	0.7550	0.7570	1.0010	1.0030	1	1 1/4	1/8	1.0000	0.7500
BJ5F162012	1	x	1 1/4	1.0050	1.0070	1.2510	1.2530	1 1/2	1 1/2	1/8	1.2500	1.0000
BJ5F202416	1 1/4	x	1 1/2	1.2550	1.2570	1.5010	1.5030	2	1 3/4	1/8	1.5000	1.2500
BJ5F242816*	1 1/2	x	1 3/4	1.5060	1.5080	1.7510	1.7530	2	2	1/8	1.7500	1.5000

*When current inventory is depleted, these sizes will be supplied on special order basis only. Minimum order quantities may apply.



PTFE BJ7 Flanged Bearings

PART NUMBER	NOMINAL SIZES			I.D. Min.	I.D. Max.	O.D. Min.	O.D. Max.	LENGTH/THK.	FLANGE		RECOMMENDED	
	I.D.	x	O.D.						O.D.	THK.	HOUSING BORE	SHAFT SIZE
BJ7F040604	1/4	x	3/8	0.2540	0.2560	0.3760	0.3780	1/2	1/2	1/16	0.3750	0.2500
BJ7F061004	3/8	x	5/8	0.3790	0.3810	0.6260	0.6280	1/2	7/8	1/8	0.6250	0.3750
BJ7F081208	1/2	x	3/4	0.5040	0.5060	0.7510	0.7530	1	1	1/8	0.7500	0.5000
BJ7F101408	5/8	x	7/8	0.6300	0.6320	0.8760	0.8780	1	1	1/8	0.8750	0.6250
BJ7F121608	3/4	x	1	0.7550	0.7570	1.0010	1.0030	1	1 1/4	1/8	1.0000	0.7500
BJ7F162012	1	x	1 1/4	1.0050	1.0070	1.2510	1.2530	1 1/2	1 1/2	1/8	1.2500	1.0000
BJ7F202416	1 1/4	x	1 1/2	1.2550	1.2570	1.5010	1.5030	2	1 3/4	1/8	1.5000	1.2500
BJ7F242816	1 1/2	x	1 3/4	1.5060	1.5080	1.7510	1.7530	2	2	1/8	1.7500	1.5000

BJ5 and BJ7 Tolerances I.D. and O.D. Sizes

I.D. up to and including 2" +0.002/-0.000"
 Over 2" I.D. +0.003/-0.000"
 All lengths ±0.005"
 Flange O.D. ±0.005"
 Flange Thickness ±0.003"

Housing Bore Tolerances I.D. Size

1/8" to 1-7/8" +0.000/-0.001"
 2" and over
 +0.000/-0.003"

Shaft Size Tolerances I.D. Size

1/8" to 1-1/2" +0.000/-0.001"
 1-5/8" up to and including 2-1/4" +0.000/-0.0015"
 2-1/2" and over
 +0.000/-0.002"



PTFE BJ2 Thrust Washers

PART NUMBER	NOMINAL SIZES			I.D. Min.	I.D. Max.	O.D. Min.	O.D. Max.	LENGTH/THK. ±0.003"
	I.D.		O.D.					
BJ2T041002*	1/4	x	5/8	0.2540	0.2590	0.6220	0.6280	1/16
BJ2T061202*	3/8	x	3/4	0.3790	0.3840	0.7470	0.7530	1/16
BJ2T081602*	1/2	x	1	0.5040	0.5090	0.9970	1.0030	1/16
BJ2T122204*	3/4	x	1 3/8	0.7550	0.7610	1.3750	1.3810	1/8
BJ2T163204*	1	x	2	1.0050	1.0110	2.0000	2.0060	1/8
BJ2T244804*	1 1/2	x	3	1.5060	1.5120	3.0000	3.0060	1/8

*When current inventory is depleted, these sizes will be supplied on special order basis only. Minimum order quantities may apply.



PTFE BJ4 Thrust Washers

PART NUMBER	NOMINAL SIZES			I.D. Min.	I.D. Max.	O.D. Min.	O.D. Max.	LENGTH/THK. ±0.003"
	I.D.		O.D.					
BJ4T041002	1/4	x	5/8	0.2540	0.2590	0.6220	0.6280	1/16
BJ4T061202	3/8	x	3/4	0.3790	0.3840	0.7470	0.7530	1/16
BJ4T081602	1/2	x	1	0.5040	0.5090	0.9970	1.0030	1/16
BJ4T122204	3/4	x	1 3/8	0.7550	0.7610	1.3750	1.3810	1/8
BJ4T163204	1	x	2	1.0050	1.0110	2.0000	2.0060	1/8
BJ4T244804	1 1/2	x	3	1.5060	1.5120	3.0000	3.0060	1/8



PTFE BJ5 Thrust Washers

PART NUMBER	NOMINAL SIZES			I.D. Min.	I.D. Max.	O.D. Min.	O.D. Max.	LENGTH/THK. ±0.003"
	I.D.		O.D.					
BJ5T041002	1/4	x	5/8	0.2540	0.2590	0.6220	0.6280	1/16
BJ5T061202	3/8	x	3/4	0.3790	0.3840	0.7470	0.7530	1/16
BJ5T081602	1/2	x	1	0.5040	0.5090	0.9970	1.0030	1/16
BJ5T122204	3/4	x	1 3/8	0.7550	0.7610	1.3750	1.3810	1/8
BJ5T163204	1	x	2	1.0050	1.0110	2.0000	2.0060	1/8
BJ5T244804	1 1/2	x	3	1.5060	1.5120	3.0000	3.0060	1/8



PTFE BJ Liner Bearings

PART NUMBER	NOMINAL SIZES			I.D. (Max. Shaft Dia.)	O.D. Min.	O.D. Max.	RECOMMENDED		PRESS FIT		LENGTH ±0.000/-0.010"
	I.D.		O.D.				Min.	Max.	Min.	Max.	
BJ4TL5201*	1/4	X	11/32	0.2500	0.3734	0.3452	0.3422	0.3432	0.0005	0.0030	3/8
BJ4TL5202*	5/16	X	7/16	0.3125	0.4380	0.4395	0.4365	0.4375	0.0005	0.0030	7/16
BJ4TL5203	3/8	X	1/2	0.3750	0.5005	0.5020	0.4990	0.5000	0.0005	0.0030	1/2
BJ4TL5204	1/2	X	5/8	0.5000	0.6255	0.6270	0.6240	0.6250	0.0005	0.0030	1/2
BJ4TL5205	5/8	X	3/4	0.6250	0.7505	0.7520	0.7490	0.7500	0.0005	0.0030	3/4
BJ4TL5206	3/4	X	7/8	0.7500	0.8755	0.8770	0.8740	0.8750	0.0005	0.0030	3/4
BJ4TL5207*	7/8	X	1	0.8750	1.0010	1.0025	0.9990	1.0000	0.0010	0.0035	3/4
BJ4TL5208*	1	X	1 1/8	1.0000	1.1260	1.1275	1.1240	1.1250	0.0010	0.0035	1
BJ4TL5209	1 1/8	X	1 1/4	1.1250	1.2510	1.2525	1.1249	1.2500	0.0010	0.0035	1
BJ4TL5210*	1 1/4	X	1 3/8	1.2500	1.3760	1.3775	1.3740	1.3750	0.0010	0.0035	1

*When current inventory is depleted, these sizes will be supplied on special order basis only. Minimum order quantities may apply.



PTFE BJ2 Solid Bars

PART NUMBER	NOMINAL SIZES			O.D. Min.	O.D. Max.	STOCK TO FINISH TO LENGTH / THICKNESS
	I.D.	O.D.				
BJ2B0004*	SOLID	x	1/4	0.2500	0.2650	12
BJ2B0008*	SOLID	x	1/2	0.5000	0.5150	12
BJ2B0012*	SOLID	x	3/4	0.7500	0.7700	12
BJ2B0016*	SOLID	x	1	1.0000	1.0200	12
BJ2B0020*	SOLID	x	1 1/4	1.2500	1.2800	12
BJ2B0024*	SOLID	x	1 1/2	1.5000	1.5300	12
BJ2B0028*	SOLID	x	1 3/4	1.7500	1.7900	12
BJ2B0032*	SOLID	x	2	2.0000	2.0400	12

PTFE BJ4 Solid Bars

PART NUMBER	NOMINAL SIZES			O.D. Min.	O.D. Max.	STOCK TO FINISH TO LENGTH / THICKNESS
	I.D.	O.D.				
BJ4B0004*	SOLID	x	1/4	0.2500	0.2650	12
BJ4B0008*	SOLID	x	1/2	0.5000	0.5150	12
BJ4B0012*	SOLID	x	3/4	0.7500	0.7700	12
BJ4B0016*	SOLID	x	1	1.0000	1.0200	12
BJ4B0020*	SOLID	x	1 1/4	1.2500	1.2800	12
BJ4B0024*	SOLID	x	1 1/2	1.5000	1.5300	12
BJ4B0028*	SOLID	x	1 3/4	1.7500	1.7900	12
BJ4B0032*	SOLID	x	2	2.0000	2.0400	12

PTFE BJ5 Solid Bars

PART NUMBER	NOMINAL SIZES			O.D. Min.	O.D. Max.	STOCK TO FINISH TO LENGTH / THICKNESS
	I.D.	O.D.				
BJ5B0004*	SOLID	x	1/4	0.2500	0.2650	12
BJ5B0008*	SOLID	x	1/2	0.5000	0.5150	12
BJ5B0012*	SOLID	x	3/4	0.7500	0.7700	12
BJ5B0016*	SOLID	x	1	1.0000	1.0200	12
BJ5B0020*	SOLID	x	1 1/4	1.2500	1.2800	12
BJ5B0024*	SOLID	x	1 1/2	1.5000	1.5300	12
BJ5B0028*	SOLID	x	1 3/4	1.7500	1.7900	12
BJ5B0032*	SOLID	x	2	2.0000	2.0400	12

PTFE BJ7 Solid Bars

PART NUMBER	NOMINAL SIZES			O.D. Min.	O.D. Max.	STOCK TO FINISH TO LENGTH / THICKNESS
	I.D.	O.D.				
BJ7B0008*	SOLID	x	1/2	0.5000	0.5150	12
BJ7B0012*	SOLID	x	3/4	0.7500	0.7700	12
BJ7B0016*	SOLID	x	1	1.0000	1.0200	12

*When current inventory is depleted, these sizes will be supplied on special order basis only. Minimum order quantities may apply.

PTFE Composite BNW Sleeve (Plain) Bearings

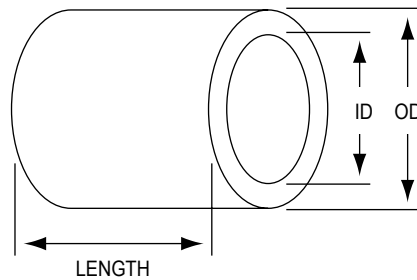
A self-lubricating, high load carrying BNW bearing is a sliding bearing which can exert excellent working property in non-lubricated condition.

The bearing layer of BNW bearing consists of PTFE/high-tension synthetic fiber liner. The backing layer consists of fiberglass impregnated into epoxy resin for high temperature. BNW bearings are designed for the applications at slow speed and under heavy load. Bearing layer cannot be machined.

Consult Bunting for standard lengths available.

Temperature range: -212°F/+350°F

PLAIN BEARINGS





PTFE Composite BNW Sleeve (Plain) Bearings

PART NUMBER	NOMINAL SIZES		LENGTHS ±0.010"	I.D. Min.	I.D. Max.	O.D. Min.	O.D. Max.	RECOMMENDED		
	I.D.	O.D.						HOUSING BORE	PRESS FIT	SHAFT SIZE
BNW081003	1/2	x 5/8	3/8	0.5020	0.5040	0.6255	0.6265	0.6250	0.0020	0.4990
BNW081004	1/2	x 5/8	1/2	0.5020	0.5040	0.6255	0.6265	0.6250	0.0020	0.4990
BNW081006	1/2	x 5/8	3/4	0.5020	0.5040	0.6255	0.6265	0.6250	0.0020	0.4990
BNW081008	1/2	x 5/8	1	0.5020	0.5040	0.6255	0.6265	0.6250	0.0020	0.4990
BNW081010	1/2	x 5/8	1 1/4	0.5020	0.5040	0.6255	0.6265	0.6250	0.0020	0.4990
BNW081016	1/2	x 5/8	2	0.5020	0.5040	0.6255	0.6265	0.6250	0.0020	0.4990
BNW081204	1/2	x 3/4	1/2	0.5020	0.5040	0.7505	0.7515	0.7500	0.0020	0.4990
BNW081206	1/2	x 3/4	3/4	0.5020	0.5040	0.7505	0.7515	0.7500	0.0020	0.4990
BNW081208	1/2	x 3/4	1	0.5020	0.5040	0.7505	0.7515	0.7500	0.0020	0.4990
BNW101203	5/8	x 3/4	3/8	0.6270	0.6290	0.7505	0.7515	0.7500	0.0020	0.6240
BNW101204	5/8	x 3/4	1/2	0.6270	0.6290	0.7505	0.7515	0.7500	0.0020	0.6240
BNW101206	5/8	x 3/4	3/4	0.6270	0.6290	0.7505	0.7515	0.7500	0.0020	0.6240
BNW101208	5/8	x 3/4	1	0.6270	0.6290	0.7505	0.7515	0.7500	0.0020	0.6240
BNW101404	5/8	x 7/8	1/2	0.6270	0.6290	0.8755	0.8765	0.8750	0.0020	0.6240
BNW101406	5/8	x 7/8	3/4	0.6270	0.6290	0.8755	0.8765	0.8750	0.0020	0.6240
BNW101408	5/8	x 7/8	1	0.6270	0.6290	0.8755	0.8765	0.8750	0.0020	0.6240
BNW121404	3/4	x 7/8	1/2	0.7525	0.7555	0.8755	0.8765	0.8750	0.0020	0.7490
BNW121405	3/4	x 7/8	5/8	0.7525	0.7555	0.8755	0.8765	0.8750	0.0020	0.7490
BNW121406	3/4	x 7/8	3/4	0.7525	0.7555	0.8755	0.8765	0.8750	0.0020	0.7490
BNW121408	3/4	x 7/8	1/1	0.7525	0.7555	0.8755	0.8765	0.8750	0.0020	0.7490
BNW121410	3/4	x 7/8	1 1/4	0.7525	0.7555	0.8755	0.8765	0.8750	0.0020	0.7490
BNW121412	3/4	x 7/8	1 1/2	0.7525	0.7555	0.8755	0.8765	0.8750	0.0020	0.7490
BNW121414	3/4	x 7/8	1 3/4	0.7525	0.7555	0.8755	0.8765	0.8750	0.0020	0.7490
BNW121416	3/4	x 7/8	2	0.7525	0.7555	0.8755	0.8765	0.8750	0.0020	0.7490
BNW121604	3/4	x 1	1/2	0.7525	0.7555	1.0005	1.0025	1.0000	0.0030	0.7490
BNW121605	3/4	x 1	5/8	0.7525	0.7555	1.0005	1.0025	1.0000	0.0030	0.7490
BNW121606	3/4	x 1	3/4	0.7525	0.7555	1.0005	1.0025	1.0000	0.0030	0.7490
BNW121608	3/4	x 1	1	0.7525	0.7555	1.0005	1.0025	1.0000	0.0030	0.7490
BNW121610	3/4	x 1	1 1/4	0.7525	0.7555	1.0005	1.0025	1.0000	0.0030	0.7490
BNW121612	3/4	x 1	1 1/2	0.7525	0.7555	1.0005	1.0025	1.0000	0.0030	0.7490
BNW121614	3/4	x 1	1 3/4	0.7525	0.7555	1.0005	1.0025	1.0000	0.0030	0.7490
BNW121616	3/4	x 1	2	0.7525	0.7555	1.0005	1.0025	1.0000	0.0030	0.7490
BNW141806	7/8	x 1 1/8	3/4	0.8775	0.8805	1.1255	1.1275	1.1250	0.0030	0.8750
BNW161804	1	x 1 1/8	1/2	1.0025	1.0055	1.1255	1.1275	1.1250	0.0030	0.9990
BNW161806	1	x 1 1/8	3/4	1.0025	1.0055	1.1255	1.1275	1.1250	0.0030	0.9990
BNW161812	1	x 1 1/8	1 1/2	1.0025	1.0055	1.1255	1.1275	1.1250	0.0030	0.9990
BNW162004	1	x 1 1/4	1/2	1.0025	1.0055	1.2505	1.2525	1.2500	0.0030	0.9990
BNW162006	1	x 1 1/4	3/4	1.0025	1.0055	1.2505	1.2525	1.2500	0.0030	0.9990
BNW162008	1	x 1 1/4	1	1.0025	1.0055	1.2505	1.2525	1.2500	0.0030	0.9990
BNW162010	1	x 1 1/4	1 1/4	1.0025	1.0055	1.2505	1.2525	1.2500	0.0030	0.9990
BNW162012	1	x 1 1/4	1 1/2	1.0025	1.0055	1.2505	1.2525	1.2500	0.0030	0.9990
BNW162016	1	x 1 1/4	2	1.0025	1.0055	1.2505	1.2525	1.2500	0.0030	0.9990
BNW162020	1	x 1 1/4	2 1/2	1.0025	1.0055	1.2505	1.2525	1.2500	0.0030	0.9990
BNW162024	1	x 1 1/4	3	1.0025	1.0055	1.2505	1.2525	1.2500	0.0030	0.9990
BNW162408	1	x 1 1/2	1	1.0025	1.0055	1.5005	1.5025	1.5000	0.0030	0.9990
BNW162412	1	x 1 1/2	1 1/2	1.0025	1.0055	1.5005	1.5025	1.5000	0.0030	0.9990
BNW162414	1	x 1 1/2	1 3/4	1.0025	1.0055	1.5005	1.5025	1.5000	0.0030	0.9990



PTFE Composite BNW Sleeve (Plain) Bearings

PART NUMBER	NOMINAL SIZES		LENGTHS ±0.010"	I.D. Min.	I.D. Max.	O.D. Min.	O.D. Max.	RECOMMENDED		
	I.D.	O.D.						HOUSING BORE	PRESS FIT	SHAFT SIZE
BNW182204	1 1/8	x 1 3/8	1/2	1.1305	1.1335	1.3765	1.3785	1.3750	0.0040	1.1250
BNW182208	1 1/8	x 1 3/8	1	1.1305	1.1335	1.3765	1.3785	1.3750	0.0040	1.1250
BNW202208	1 1/4	x 1 3/8	1	1.2525	1.2555	1.3765	1.3785	1.3750	0.0040	1.2490
BNW202212	1 1/4	x 1 3/8	1 1/2	1.2525	1.2555	1.3765	1.3785	1.3750	0.0040	1.2490
BNW202408	1 1/4	x 1 1/2	1	1.2525	1.2555	1.5005	1.5025	1.5000	0.0030	1.2490
BNW202410	1 1/4	x 1 1/2	1 1/4	1.2525	1.2555	1.5005	1.5025	1.5000	0.0030	1.2490
BNW202412	1 1/4	x 1 1/2	1 1/2	1.2525	1.2555	1.5005	1.5025	1.5000	0.0030	1.2490
BNW202416	1 1/4	x 1 1/2	2	1.2525	1.2555	1.5005	1.5025	1.5000	0.0030	1.2490
BNW202424	1 1/4	x 1 1/2	3	1.2525	1.2555	1.5005	1.5025	1.5000	0.0030	1.2490
BNW202808	1 1/4	x 1 3/4	1	1.2525	1.2555	1.7515	1.7535	1.7500	0.0040	1.2490
BNW202810	1 1/4	x 1 3/4	1 1/4	1.2525	1.2555	1.7515	1.7535	1.7500	0.0040	1.2490
BNW202818	1 1/4	x 1 3/4	2 1/4	1.2525	1.2555	1.7515	1.7535	1.7500	0.0040	1.2490
BNW222412	1 3/8	x 1 1/2	1 1/2	1.3790	1.3830	1.5005	1.5025	1.5000	0.0030	1.3745
BNW222416	1 3/8	x 1 1/2	2	1.3790	1.3830	1.5005	1.5025	1.5000	0.0030	1.3745
BNW222608	1 3/8	x 1 5/8	1	1.3790	1.3830	1.6265	1.6285	1.6250	0.0040	1.3745
BNW222612	1 3/8	x 1 5/8	1 1/2	1.3790	1.3830	1.6265	1.6285	1.6250	0.0040	1.3745
BNW222614	1 3/8	x 1 5/8	1 3/4	1.3790	1.3830	1.6265	1.6285	1.6250	0.0040	1.3745
BNW242808	1 1/2	x 1 3/4	1	1.5040	1.5080	1.7515	1.7535	1.7500	0.0040	1.4995
BNW242812	1 1/2	x 1 3/4	1 1/2	1.5040	1.5080	1.7515	1.7535	1.7500	0.0040	1.4995
BNW242816	1 1/2	x 1 3/4	2	1.5040	1.5080	1.7515	1.7535	1.7500	0.0040	1.4995
BNW242824	1 1/2	x 1 3/4	2	1.5040	1.5080	1.7515	1.7535	1.7500	0.0040	1.4995
BNW243212	1 1/2	x 2	1 1/2	1.5040	1.5080	2.0015	2.0035	2.0000	0.0040	1.4995
BNW243216	1 1/2	x 2	2	1.5040	1.5080	2.0015	2.0035	2.0000	0.0040	1.4995
BNW262812	1 5/8	x 1 3/4	1 1/2	1.6290	1.6330	1.7515	1.7535	1.7500	0.0040	1.6245
BNW283210	1 3/4	x 2	1 1/4	1.7540	1.7580	2.0015	2.0035	2.0000	0.0040	1.7495
BNW283212	1 3/4	x 2	1 1/2	1.7540	1.7580	2.0015	2.0035	2.0000	0.0040	1.7495
BNW283216	1 3/4	x 2	2	1.7540	1.7580	2.0015	2.0035	2.0000	0.0040	1.7495
BNW283616	1 3/4	x 2 1/4	2	1.7540	1.7580	2.2515	2.2535	2.2505	0.0040	1.7495
BNW323610	2	x 2 1/4	1 1/4	2.0040	2.0080	2.2515	2.2535	2.2505	0.0040	1.9995
BNW323612	2	x 2 1/4	1 1/2	2.0040	2.0080	2.2515	2.2535	2.2505	0.0040	1.9995
BNW323614	2	x 2 1/4	1 1/34	2.0040	2.0080	2.2515	2.2535	2.2505	0.0040	1.9995
BNW323616	2	x 2 1/4	2	2.0040	2.0080	2.2515	2.2535	2.2505	0.0040	1.9995
BNW323618	2	x 2 1/4	2 1/4	2.0040	2.0080	2.2515	2.2535	2.2505	0.0040	1.9995
BNW323620	2	x 2 1/4	2 1/2	2.0040	2.0080	2.2515	2.2535	2.2505	0.0040	1.9995
BNW323624	2	x 2 1/4	3	2.0040	2.0080	2.2515	2.2535	2.2505	0.0040	1.9995
BNW323632	2	x 2 1/4	4	2.0040	2.0080	2.2515	2.2535	2.2505	0.0040	1.9995
BNW324010	2	x 2 1/2	1 1/4	2.0040	2.0080	2.5020	2.5040	2.5005	0.0045	1.9995
BNW324012	2	x 2 1/2	1 1/2	2.0040	2.0080	2.5020	2.5040	2.5005	0.0045	1.9995
BNW324014	2	x 2 1/2	1 3/4	2.0040	2.0080	2.5020	2.5040	2.5005	0.0045	1.9995
BNW324016	2	x 2 1/2	2	2.0040	2.0080	2.5020	2.5040	2.5005	0.0045	1.9995
BNW324020	2	x 2 1/2	2 1/2	2.0040	2.0080	2.5020	2.5040	2.5005	0.0045	1.9995
BNW324024	2	x 2 1/2	3	2.0040	2.0080	2.5020	2.5040	2.5005	0.0045	1.9995
BNW364010	2 1/4	x 2 1/2	1 1/4	2.2540	2.2580	2.5020	2.5040	2.5005	0.0045	2.2490
BNW364012	2 1/4	x 2 1/2	1 1/2	2.2540	2.2580	2.5020	2.5040	2.5005	0.0045	2.2490
BNW364024	2 1/4	x 2 1/2	3	2.2540	2.2580	2.5020	2.5040	2.5005	0.0045	2.2490
BNW364408	2 1/4	x 2 3/4	1	2.2540	2.2580	2.7520	2.7540	2.7505	0.0045	2.2490
BNW364414	2 1/4	x 2 3/4	1 3/4	2.2540	2.2580	2.7520	2.7540	2.7505	0.0045	2.2490
BNW364416	2 1/4	x 2 3/4	2	2.2540	2.2580	2.7520	2.7540	2.7505	0.0045	2.2490
BNW364420	2 1/4	x 2 3/4	2 1/2	2.2540	2.2580	2.7520	2.7540	2.7505	0.0045	2.2490



PTFE Composite BNW Sleeve (Plain) Bearings

PART NUMBER	NOMINAL SIZES		LENGTHS ±0.010"	I.D. Min.	I.D. Max.	O.D. Min.	O.D. Max.	RECOMMENDED		
	I.D.	O.D.						HOUSING BORE	PRESS FIT	SHAFT SIZE
BNW404414	2 1/2	x 2 3/4	1 3/4	2.5060	2.5100	2.7520	2.7540	2.7505	0.0045	2.4995
BNW404416	2 1/2	x 2 3/4	2	2.5060	2.5100	2.7520	2.7540	2.7505	0.0045	2.4995
BNW404420	2 1/2	x 2 3/4	2 1/2	2.5060	2.5100	2.7520	2.7540	2.7505	0.0045	2.4995
BNW404424	2 1/2	x 2 3/4	3	2.5060	2.5100	2.7520	2.7540	2.7505	0.0045	2.4995
BNW404816	2 1/2	x 3	2	2.5060	2.5100	3.0020	3.0040	3.0050	0.0050	2.4995
BNW404820	2 1/2	x 3	2 1/2	2.5060	2.5100	3.0020	3.0040	3.0050	0.0050	2.4995
BNW444818	2 3/4	x 3	2 1/4	2.7580	2.7620	3.0020	3.0040	3.0005	0.0050	2.7495
BNW445216	2 3/4	x 3 1/4	2	2.7580	2.7620	3.2520	3.2540	3.2505	0.0050	2.7495
BNW485216	3	x 3 1/4	2	3.0100	3.0140	3.2520	3.2540	3.2505	0.0050	2.9995
BNW485220	3	x 3 1/4	2 1/2	3.0100	3.0140	3.2520	3.2540	3.2505	0.0050	2.9995
BNW485224	3	x 3 1/4	3	3.0100	3.0140	3.2520	3.2540	3.2505	0.0050	2.9995
BNW485610	3	x 3 1/2	1 1/4	3.0100	3.0140	3.5020	3.5040	3.5010	0.0050	2.9995
BNW485612	3	x 3 1/2	1 1/2	3.0100	3.0140	3.5020	3.5040	3.5010	0.0050	2.9995
BNW485616	3	x 3 1/2	2	3.0100	3.0140	3.5020	3.5040	3.5010	0.0050	2.9995
BNW485620	3	x 3 1/2	2 1/2	3.0100	3.0140	3.5020	3.5040	3.5010	0.0050	2.9995
BNW485624	3	x 3 1/2	3	3.0100	3.0140	3.5020	3.5040	3.5010	0.0050	2.9995
BNW525616	3 1/4	x 3 1/2	2	3.2600	3.2640	3.5020	3.5040	3.5010	0.0050	3.2495
BNW526016	3 1/4	x 3 3/4	2	3.2600	3.2640	3.7520	3.7540	3.7510	0.0050	3.2495
BNW526020	3 1/4	x 3 3/4	2 1/2	3.2600	3.2640	3.7520	3.7540	3.7510	0.0050	3.2495
BNW526024	3 1/4	x 3 3/4	3	3.2600	3.2640	3.7520	3.7540	3.7510	0.0050	3.2495
BNW566416	3 1/2	x 4	2	3.5100	3.5140	4.0020	4.0040	4.0010	0.0050	3.4995
BNW647220	4	x 4 1/2	2 1/2	4.0100	4.0140	4.5020	4.5040	4.5010	0.0050	3.9995
BNW808816	5	x 5 1/2	2	5.0100	5.0140	5.5020	5.5040	5.5010	0.0050	4.9995

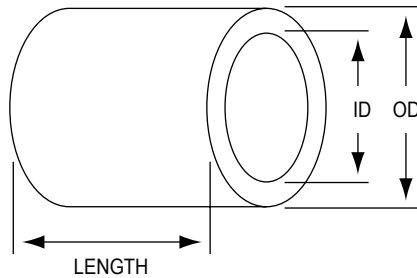
Bunting Teflon® Composite BPT Sleeve (Plain) Bearings

BPT bearings are designed for oscillatory and linear applications, offer long wear, and are shaft kind. These bearings cannot be machined.

Temperature range: -212°F/+350°F

Consult Bunting for standard lengths available.

PLAIN BEARINGS



Bunting Teflon® Composite BPT Sleeve (Plain) Bearings

PART NUMBER	NOMINAL SIZES		LENGTHS ±0.010"	I.D. Min.	I.D. Max.	O.D. Min.	O.D. Max.	RECOMMENDED		
	I.D.	O.D.						HOUSING BORE	PRESS FIT	SHAFT SIZE
BPT081204	1/2	x 3/4	1/2	0.5020	0.5040	0.7505	0.7515	0.7500	0.002	0.4995
BPT081206	1/2	x 3/4	3/4	0.5020	0.5040	0.7505	0.7515	0.7500	0.002	0.4995
BPT081208*	1/2	x 3/4	1	0.5020	0.5040	0.7505	0.7515	0.7500	0.002	0.4995
BPT101404	5/8	x 7/8	1/2	0.6270	0.6290	0.8755	0.8765	0.8750	0.002	0.6245
BPT101406	5/8	x 7/8	3/4	0.6270	0.6290	0.8755	0.8765	0.8750	0.002	0.6245
BPT101408*	5/8	x 7/8	1	0.6270	0.6290	0.8755	0.8765	0.8750	0.002	0.6245
BPT121604	3/4	x 1	1/2	0.7525	0.7555	1.0005	1.0025	1.0000	0.003	0.7490
BPT121606	3/4	x 1	3/4	0.7525	0.7555	1.0005	1.0025	1.0000	0.003	0.7490
BPT121608	3/4	x 1	1	0.7525	0.7555	1.0005	1.0025	1.0000	0.003	0.7490
BPT141806	7/8	x 1 1/8	3/4	0.8775	0.8805	1.1255	1.1275	1.1250	0.003	0.8745
BPT141807	7/8	x 1 1/8	7/8	0.8775	0.8805	1.1255	1.1275	1.1250	0.003	0.8745
BPT141810	7/8	x 1 1/8	1 1/4	0.8775	0.8805	1.1255	1.1275	1.1250	0.003	0.8745
BPT162006	1	x 1 1/4	3/4	1.0025	1.0055	1.2505	1.2525	1.2500	0.003	0.9995
BPT162008	1	x 1 1/4	1	1.0025	1.0055	1.2505	1.2525	1.2500	0.003	0.9995
BPT162012	1	x 1 1/4	1 1/2	1.0025	1.0055	1.2505	1.2525	1.2500	0.003	0.9995
BPT182206	1 1/8	x 1 3/8	3/4	1.1305	1.1335	1.3765	1.3785	1.3750	0.004	1.1245
BPT182208	1 1/8	x 1 3/8	1	1.1305	1.1335	1.3765	1.3785	1.3750	0.004	1.1245
BPT182212	1 1/8	x 1 3/8	1 1/2	1.1305	1.1335	1.3765	1.3785	1.3750	0.004	1.1245

*When current inventory is depleted, these sizes will be supplied on special order basis only. Minimum order quantities may apply.



Bunting Teflon® Composite BPT Sleeve (Plain) Bearings

PART NUMBER	NOMINAL SIZES		LENGTHS ±0.010"	I.D. Min.	I.D. Max.	O.D. Min.	O.D. Max.	RECOMMENDED		
								HOUSING BORE	PRESS FIT	SHAFT SIZE
	I.D.	O.D.								
BPT202408	1 1/4	x 1 1/2	1	1.2525	1.2555	1.5005	1.5025	1.5000	0.0030	1.2495
BPT202410	1 1/4	x 1 1/2	1 1/4	1.2525	1.2555	1.5005	1.5025	1.5000	0.0030	1.2495
BPT202412	1 1/4	x 1 1/2	1 1/2	1.2525	1.2555	1.5005	1.5025	1.5000	0.0030	1.2495
BPT222608	1 3/8	x 1 5/8	1	1.3790	1.3830	1.6265	1.6285	1.6250	0.0040	1.3745
BPT222610	1 3/8	x 1 5/8	1 1/4	1.3790	1.3830	1.6265	1.6285	1.6250	0.0040	1.3745
BPT222612	1 3/8	x 1 5/8	1 1/2	1.3790	1.3830	1.6265	1.6285	1.6250	0.0040	1.3745
BPT242808	1 1/2	x 1 3/4	1	1.5040	1.5080	1.7515	1.7535	1.7500	0.0040	1.4995
BPT242812	1 1/2	x 1 3/4	1 1/2	1.5040	1.5080	1.7515	1.7535	1.7500	0.0040	1.4995
BPT242816	1 1/2	x 1 3/4	2	1.5040	1.5080	1.7515	1.7535	1.7500	0.0040	1.4995
BPT283208	1 3/4	x 2	1	1.7540	1.7580	2.0015	2.0035	2.0000	0.0040	1.7495
BPT283212	1 3/4	x 2	1 1/2	1.7540	1.7580	2.0015	2.0035	2.0000	0.0040	1.7495
BPT283216	1 3/4	x 2	2	1.7540	1.7580	2.0015	2.0035	2.0000	0.0040	1.7495
BPT323612	2	x 2 1/4	1 1/2	2.0040	2.0080	2.2515	2.2535	2.2505	0.0040	1.9995
BPT323616	2	x 2 1/4	2	2.0040	2.0080	2.2515	2.2535	2.2505	0.0040	1.9995
BPT323624	2	x 2 1/4	3	2.0040	2.0080	2.2515	2.2535	2.2505	0.0040	1.9995
BPT324012	2	x 2 1/2	1 1/2	2.0040	2.0080	2.5020	2.5040	2.5005	0.0045	1.9995
BPT324016	2	x 2 1/2	2	2.0040	2.0080	2.5020	2.5040	2.5005	0.0045	1.9995
BPT324024*	2	x 2 1/2	3	2.0040	2.0080	2.5020	2.5040	2.5005	0.0045	1.9995
BPT404416	2 1/2	x 2 3/4	2	2.5060	2.5100	2.7520	2.7540	2.7505	0.0045	2.4995
BPT404420	2 1/2	x 2 3/4	2 1/2	2.5060	2.5100	2.7520	2.7540	2.7505	0.0045	2.4995
BPT404424	2 1/2	x 2 3/4	3	2.5060	2.5100	2.7520	2.7540	2.7505	0.0045	2.4995
BPT404816	2 1/2	x 3	2	2.5060	2.5100	3.0020	3.0040	3.0005	0.0050	2.4995
BPT404820	2 1/2	x 3	2 1/2	2.5060	2.5100	3.0020	3.0040	3.0005	0.0050	2.4995
BPT404824	2 1/2	x 3	3	2.5060	2.5100	3.0020	3.0040	3.0005	0.0050	2.4995
BPT485216	3	x 3 1/4	2	3.0100	3.0140	3.2520	3.2540	3.2505	0.0050	2.9995
BPT485220	3	x 3 1/4	1 1/2	3.0100	3.0140	3.2520	3.2540	3.2505	0.0050	2.9995
BPT485224	3	x 3 1/4	3	3.0100	3.0140	3.2520	3.2540	3.2505	0.0050	2.9995
BPT485616	3	x 3 1/2	2	3.0100	3.0140	3.5020	3.5040	3.5010	0.0050	2.9995
BPT485620	3	x 3 1/2	1/2	3.0100	3.0140	3.5020	3.5040	3.5010	0.0050	2.9995
BPT485624	3	x 3 1/2	3	3.0100	3.0140	3.5020	3.5040	3.5010	0.0050	2.9995
BPT566416	3 1/2	x 4	2	3.5100	3.5140	4.0020	4.0040	4.0010	0.0050	3.4995
BPT566432*	3 1/2	x 4	4	3.5100	3.5140	4.0020	4.0040	4.0010	0.0050	3.4995
BPT647216	4	x 4 1/2	2	4.0100	4.0140	4.5020	4.5040	4.5010	0.0050	3.9995
BPT647232	4	x 4 1/2	4	4.0100	4.0140	4.5020	4.5040	4.5010	0.0050	3.9995
BPT808816	5	x 5 1/2	2	5.0100	5.0140	5.5020	5.5040	5.5010	0.0050	4.9995
BPT808832*	5	x 5 1/2	4	5.0100	5.0140	5.5020	5.5040	5.5010	0.0050	4.9995

*When current inventory is depleted, these sizes will be supplied on special order basis only. Minimum order quantities may apply.

Bunting PTFE Composite Thrust Washers

Non-metallic, self-lubricating PTFE composite laminate washers designed to handle high thrust loads.

Bunting's PTFE composite thrust washers are available with PTFE fabric bonded onto one side or both sides.

Temperature range: -65°F/+250°F



PTFE Composite 0.074" Thick Thrust Washers

PART NUMBER	NOMINAL SIZES		I.D. Min.	I.D. Max.	O.D. Min.	O.D. Max.	THICKNESS ±0.002"
	I.D.	O.D.					
BTCW0408-3*	1/4	x 1/2	0.2540	0.2640	0.4800	0.5000	0.0740
BTCW0612-3*	3/8	x 3/4	0.3790	0.3890	0.7300	0.7500	0.0740
BTCW0816-3	1/2	x 1	0.5030	0.5130	0.9800	1.0000	0.0740
BTCW1020-3	5/8	x 1 1/4	0.6280	0.6380	1.2300	1.2500	0.0740
BTCW1224-3*	3/4	x 1 1/2	0.7540	0.7640	1.4800	1.5000	0.0740
BTCW1428-3*	7/8	x 1 3/4	0.8780	0.8880	1.7300	1.7500	0.0740
BTCW1632-3*	1	x 2	1.0040	1.0140	1.9800	2.0000	0.0740
BTCW1834-3*	1 1/8	x 2 1/8	1.1300	1.1500	2.1050	2.1250	0.0740
BTCW2036-3*	1 1/4	x 2 1/4	1.2530	1.2730	2.2300	2.2500	0.0740
BTCW2240-3*	1 3/8	x 2 1/2	1.3790	1.3990	2.4800	2.5000	0.0740
BTCW2442-3	1 1/2	x 2 5/8	1.5040	1.5240	2.6050	2.6250	0.0740
BTCW2644-3*	1 5/8	x 2 3/4	1.6290	1.6490	2.7300	2.7500	0.0740
BTCW2846-3	1 3/4	x 2 7/8	1.7540	1.7740	2.8550	2.8750	0.0740
BTCW3252-3	2	x 3 1/4	2.0040	2.0240	3.2300	3.2500	0.0740
BTCW3654-3*	2 1/4	x 3 3/8	2.2530	2.2730	3.3550	3.3750	0.0740
BTCW4060-3*	2 1/2	x 3 3/4	2.5040	2.5240	3.7300	3.7500	0.0740
BTCW4466-3*	2 3/4	x 4 1/8	2.7540	2.7740	4.1050	4.1250	0.0740
BTCW4872-3*	3	x 4 1/2	3.0040	3.0240	4.4800	4.5000	0.0740

*When current inventory is depleted, these sizes will be supplied on special order basis only. Minimum order quantities may apply.



PTFE Composite 0.078" Thick Thrust Washers

PART NUMBER	NOMINAL SIZES		I.D. Min.	I.D. Max.	O.D. Min.	O.D. Max.	THICKNESS ±.002"
	I.D.	O.D.					
BTCWW0408-3*	1/4	x 1/2	0.2540	0.2640	0.4800	0.5000	0.0780
BTCWW0612-3*	3/8	x 3/4	0.3790	0.3890	0.7300	0.7500	0.0780
BTCWW0816-3	1/2	x 1	0.5030	0.5130	0.9800	1.0000	0.0780
BTCWW1020-3*	5/8	x 1 1/4	0.6280	0.6380	1.2300	1.2500	0.0780
BTCWW1224-3	3/4	x 1 1/2	0.7540	0.7640	1.4800	1.5000	0.0780
BTCWW1428-3*	7/8	x 1 3/4	0.8780	0.8880	1.7300	1.7500	0.0780
BTCWW1632-3	1	x 2	1.0040	1.0140	1.9800	2.0000	0.0780
BTCWW1834-3	1 1/8	x 2 1/8	1.1300	1.1500	2.1050	2.1250	0.0780
BTCWW2036-3	1 1/4	x 2 1/4	1.2530	1.2730	2.2300	2.2500	0.0780
BTCWW2240-3	1 3/8	x 2 1/2	1.3790	1.3990	2.4800	2.5000	0.0780
BTCWW2442-3	1 1/2	x 2 5/8	1.5040	1.5240	2.6050	2.6250	0.0780
BTCWW2644-3*	1 5/8	x 2 3/4	1.6290	1.6490	2.7300	2.7500	0.0780
BTCWW2846-3	1 3/4	x 2 7/8	1.7540	1.7740	2.8550	2.8750	0.0780
BTCWW3252-3	2	x 3 1/4	2.0040	2.0240	3.2300	3.2500	0.0780
BTCWW3654-3*	2 1/4	x 3 3/8	2.2530	2.2730	3.3550	3.3750	0.0780
BTCWW4060-3	2 1/2	x 3 3/4	2.5040	2.5240	3.7300	3.7500	0.0780
BTCWW4466-3	2 3/4	x 4 1/8	2.7540	2.7740	4.1050	4.1250	0.0780
BTCWW4872-3*	3	x 4 1/2	3.0040	3.0240	4.4800	4.5000	0.0780

*When current inventory is depleted, these sizes will be supplied on special order basis only. Minimum order quantities may apply.

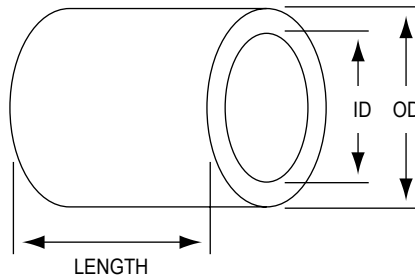
Bunting “BU” Dry Lubricant Bearings

Bunting’s “BU” product is a composite material, consisting of bonded layers of a steel backing and a porous bronze matrix, impregnated and overlaid with PTFE bearing material. The steel backing provides mechanical strength and the bronze inter-layer, impregnated with PTFE, provides a strong mechanical bond for the lining. During normal operation, a thin film from the PTFE lining is transferred to the opposing surface and maintained there throughout the working life of the bearing.

Bunting’s “BU” is available, from stock, in the form of wrapped bearings in both inch and metric sizes. Thrust washers, strip material and non-standard bearing sizes are also available.

Temperature range: -328°F/+536°F

PLAIN BEARINGS





"BU" Dry Lubricant Bearings Inch Sizes

PART NUMBER	NOMINAL SIZES			RECOMMENDED				INSTALLED BEARING I.D.**	
				HOUSING BORE		SHAFT DIAMETER			
	I.D.	O.D.	LENGTH	Min.	Max.	Min.	Max.	Min.	Max.
02BU03	1/8	3/16	3/16	0.1873	0.1878	0.1236	0.1243	0.1243	0.1268
03BU03	3/16	1/4	3/16	0.2497	0.2503	0.1858	0.1865	0.1867	0.1893
03BU04	3/16	1/4	1/4	0.2497	0.2503	0.1858	0.1865	0.1867	0.1893
03BU08	3/16	1/4	1/2	0.2497	0.2503	0.1858	0.1865	0.1867	0.1893
04BU04	1/4	5/16	1/4	0.3122	0.3128	0.2481	0.2490	0.2492	0.2518
04BU06	1/4	5/16	3/8	0.3122	0.3128	0.2481	0.2490	0.2492	0.2518
05BU06	5/16	3/8	3/8	0.3747	0.3753	0.3106	0.3115	0.3117	0.3143
05BU08	5/16	3/8	1/2	0.3747	0.3753	0.3106	0.3115	0.3117	0.3143
06BU04	3/8	15/32	1/4	0.4684	0.4691	0.3731	0.3740	0.3742	0.3769
06BU06	3/8	15/32	3/8	0.4684	0.4691	0.3731	0.3740	0.3742	0.3769
06BU08	3/8	15/32	1/2	0.4684	0.4691	0.3731	0.3740	0.3742	0.3769
06BU10	3/8	15/32	5/8	0.4684	0.4691	0.3731	0.3740	0.3742	0.3769
06BU12	3/8	15/32	3/4	0.4684	0.4691	0.3731	0.3740	0.3742	0.3769
07BU08	7/16	17/32	1/2	0.5309	0.5316	0.4355	0.4365	0.4367	0.4394
07BU12	7/16	17/32	3/4	0.5309	0.5316	0.4355	0.4365	0.4367	0.4394
08BU04	1/2	19/32	1/4	0.5934	0.5941	0.4980	0.4990	0.4992	0.5019
08BU06	1/2	19/32	3/8	0.5934	0.5941	0.4980	0.4990	0.4992	0.5019
08BU08	1/2	19/32	1/2	0.5934	0.5941	0.4980	0.4990	0.4992	0.5019
08BU10	1/2	19/32	5/8	0.5934	0.5941	0.4980	0.4990	0.4992	0.5019
08BU12	1/2	19/32	3/4	0.5934	0.5941	0.4980	0.4990	0.4992	0.5019
08BU14	1/2	19/32	7/8	0.5934	0.5941	0.4980	0.4990	0.4992	0.5019
09BU08	9/16	21/32	1/2	0.6559	0.6566	0.5605	0.5615	0.5617	0.5644
09BU12	9/16	21/32	3/4	0.6559	0.6566	0.5605	0.5615	0.5617	0.5644
10BU08	5/8	23/32	1/2	0.7184	0.7192	0.6230	0.6240	0.6242	0.6270
10BU10	5/8	23/32	5/8	0.7184	0.7192	0.6230	0.6240	0.6242	0.6270
10BU12	5/8	23/32	3/4	0.7184	0.7192	0.6230	0.6240	0.6242	0.6270
10BU14	5/8	23/32	7/8	0.7184	0.7192	0.6230	0.6240	0.6242	0.6270
11BU14	11/16	25/32	7/8	0.7809	0.7817	0.6855	0.6865	0.6867	0.6895
12BU04	3/4	7/8	1/4	0.8747	0.8755	0.7479	0.7491	0.7493	0.7525
12BU06	3/4	7/8	3/8	0.8747	0.8755	0.7479	0.7491	0.7493	0.7525
12BU08	3/4	7/8	1/2	0.8747	0.8755	0.7479	0.7491	0.7493	0.7525
12BU10	3/4	7/8	5/8	0.8747	0.8755	0.7479	0.7491	0.7493	0.7525
12BU12	3/4	7/8	3/4	0.8747	0.8755	0.7479	0.7491	0.7493	0.7525
12BU16	3/4	7/8	1	0.8747	0.8755	0.7479	0.7491	0.7493	0.7525
14BU12	7/8	1	3/4	0.9997	1.0005	0.8729	0.8741	0.8743	0.8775
14BU16	7/8	1	1	0.9997	1.0005	0.8729	0.8741	0.8743	0.8775
16BU08	1	1 1/8	1/2	1.1247	1.1255	0.9979	0.9991	0.9993	1.0025
16BU12	1	1 1/8	3/4	1.1247	1.1255	0.9979	0.9991	0.9993	1.0025
16BU16	1	1 1/8	1	1.1247	1.1255	0.9979	0.9991	0.9993	1.0025
16BU20	1	1 1/8	1 1/4	1.1247	1.1255	0.9979	0.9991	0.9993	1.0025
16BU24	1	1 1/8	1 1/2	1.1247	1.1255	0.9979	0.9991	0.9993	1.0025

** When installed in a rigid housing.

Length Size	Tolerance
Up to and including 3/8" I.D.	+0.015"
Above 3/8" I.D.....	±0.010"



"BU" Dry Lubricant Bearings Inch Sizes

PART NUMBER	NOMINAL SIZES			RECOMMENDED				INSTALLED BEARING I.D.**	
				HOUSING BORE		SHAFT DIAMETER		Min.	Max.
	I.D.	O.D.	LENGTH	Min.	Max.	Min.	Max.		
18BU10	1 1/8	1 9/32	5/8	1.2808	1.2818	1.1226	1.1238	1.1240	1.1278
18BU12	1 1/8	1 9/32	3/4	1.2808	1.2818	1.1226	1.1238	1.1240	1.1278
18BU16	1 1/8	1 9/32	1	1.2808	1.2818	1.1226	1.1238	1.1240	1.1278
20BU12	1 1/4	1 13/32	3/4	1.4058	1.4068	1.2472	1.2488	1.2490	1.2528
20BU16	1 1/4	1 13/32	1	1.4058	1.4068	1.2472	1.2488	1.2490	1.2528
20BU20	1 1/4	1 13/32	1 1/4	1.4058	1.4068	1.2472	1.2488	1.2490	1.2528
20BU28	1 1/4	1 13/32	1 3/4	1.4058	1.4068	1.2472	1.2488	1.2490	1.2528
22BU12	1 3/8	1 17/32	3/4	1.5308	1.5318	1.3722	1.3738	1.3740	1.3778
22BU16	1 3/8	1 17/32	1	1.5308	1.5318	1.3722	1.3738	1.3740	1.3778
22BU24	1 3/8	1 17/32	1 1/2	1.5308	1.5318	1.3722	1.3738	1.3740	1.3778
24BU08	1 1/2	1 21/32	1/2	1.6558	1.6568	1.4972	1.4988	1.4990	1.5028
24BU16	1 1/2	1 21/32	1	1.6558	1.6568	1.4972	1.4988	1.4990	1.5028
24BU20	1 1/2	1 21/32	1 1/4	1.6558	1.6568	1.4972	1.4988	1.4990	1.5028
24BU24	1 1/2	1 21/32	1 1/2	1.6558	1.6568	1.4972	1.4988	1.4990	1.5028
24BU32	1 1/2	1 21/32	2	1.6558	1.6568	1.4972	1.4988	1.4990	1.5028
26BU16	1 5/8	1 25/32	1	1.7808	1.7818	1.6222	1.6238	1.6240	1.6278
26BU24*	1 5/8	1 25/32	1 1/2	1.7808	1.7818	1.6222	1.6238	1.6240	1.6278
28BU16	1 3/4	1 15/16	1	1.9371	1.9381	1.7471	1.7487	1.7489	1.7535
28BU24	1 3/4	1 15/16	1 1/2	1.9371	1.9381	1.7471	1.7487	1.7489	1.7535
30BU16	1 7/8	2 1/16	1	2.0621	2.0621	1.8721	1.8737	1.8739	1.8787
32BU16	2	2 3/16	1	2.1871	2.1883	1.9969	1.9987	1.9989	2.0037
32BU24	2	2 3/16	1 1/2	2.1871	2.1883	1.9969	1.9987	1.9989	2.0037
32BU28	2	2 3/16	1 3/4	2.1871	2.1883	1.9969	1.9987	1.9989	2.0037
32BU32	2	2 3/16	2	2.1871	2.1883	1.9969	1.9987	1.9989	2.0037
32BU40	2	2 3/16	2 1/2	2.1871	2.1883	1.9969	1.9987	1.9989	2.0037

** When installed in a rigid housing.

*When current inventory is depleted, these sizes will be supplied on special order basis only. Minimum order quantities may apply.

Length Size	Tolerance
Up to and including 3/8" I.D.	±0.015"
Above 3/8" I.D.	±0.010"



"BU" Dry Lubricant Bearings Metric Sizes

PART NUMBER	NOMINAL SIZES			RECOMMENDED				INSTALLED BEARING I.D.**	
				HOUSING BORE		SHAFT DIAMETER			
	I.D.	O.D.	LENGTH	Min.	Max.	Min.	Max.	Min.	Max.
M0303BU*	3.00	4.50	3.00	4.5000	4.5080	2.9940	3.0000	3.0000	3.0480
M0305BU*	3.00	4.50	5.00	4.5000	4.5080	2.9940	3.0000	3.0000	3.0480
M0306BU	3.00	4.50	5.00	4.5000	4.5080	2.9940	3.0000	3.0000	3.0480
M0404BU*	4.00	5.50	4.00	5.5000	5.5080	3.9920	4.0000	4.0000	4.0480
M0406BU	4.00	5.50	6.00	5.5000	5.5080	3.9920	4.0000	4.0000	4.0480
M0410BU	4.00	5.50	10.00	5.5000	5.5080	3.9920	4.0000	4.0000	4.0480
M0505BU	5.00	7.00	5.00	7.0000	7.0150	4.9780	4.9900	4.9900	5.0550
M0508BU	5.00	7.00	8.00	7.0000	7.0150	4.9780	4.9900	4.9900	5.0550
M0510BU	5.00	7.00	10.00	7.0000	7.0150	4.9780	4.9900	4.9900	5.0550
M0606BU	6.00	8.00	6.00	8.0000	8.0150	5.9780	5.9900	5.9900	6.0550
M0608BU	6.00	8.00	8.00	8.0000	8.0150	5.9780	5.9900	5.9900	6.0550
M0610BU	6.00	8.00	10.00	8.0000	8.0150	5.9780	5.9900	5.9900	6.0550
M0710BU	7.00	9.00	10.00	9.0000	9.0150	6.9720	6.9870	6.9900	7.0550
M0808BU	8.00	10.00	8.00	10.0000	10.0150	7.9720	7.9870	7.9900	8.0550
M0810BU	8.00	10.00	10.00	10.0000	10.0150	7.9720	7.9870	7.9900	8.0550
M0812BU	8.00	10.00	12.00	10.0000	10.0150	7.9720	7.9870	7.9900	8.0550
M1010BU	10.00	12.00	10.00	12.0000	12.0180	9.9720	9.9870	9.9900	10.0580
M1012BU	10.00	12.00	12.00	12.0000	12.0180	9.9720	9.9870	9.9900	10.0580
M1015BU	10.00	12.00	15.00	12.0000	12.0180	9.9720	9.9870	9.9900	10.0580
M1020BU	10.00	12.00	20.00	12.0000	12.0180	9.9720	9.9870	9.9900	10.0580
M1208BU	12.00	14.00	8.00	14.0000	14.0180	11.9660	11.9840	11.9900	12.0580
M1210BU	12.00	14.00	10.00	14.0000	14.0180	11.9660	11.9840	11.9900	12.0580
M1212BU	12.00	14.00	12.00	14.0000	14.0180	11.9660	11.9840	11.9900	12.0580
M1215BU	12.00	14.00	15.00	14.0000	14.0180	11.9660	11.9840	11.9900	12.0580
M1220BU	12.00	14.00	20.00	14.0000	14.0180	11.9660	11.9840	11.9900	12.0580
M1225BU	12.00	14.00	25.00	14.0000	14.0180	11.9660	11.9840	11.9900	12.0580
M1310BU	13.00	15.00	10.00	15.0000	15.0180	12.9660	12.9840	12.9900	13.0580
M1415BU	14.00	16.00	15.00	16.0000	16.0180	13.9660	13.9840	13.9900	14.0580
M1420BU	14.00	16.00	20.00	16.0000	16.0180	13.9660	13.9840	13.9900	14.0580
M1512BU	15.00	17.00	12.00	17.0000	17.0180	14.9660	14.9840	14.9900	15.0580
M1515BU	15.00	17.00	15.00	17.0000	17.0180	14.9660	14.9840	14.9900	15.0580
M1525BU	15.00	17.00	25.00	17.0000	17.0180	14.9660	14.9840	14.9900	15.0580
M1612BU	16.00	18.00	12.00	18.0000	18.0180	15.9660	15.9840	15.9900	16.0580
M1615BU	16.00	18.00	15.00	18.0000	18.0180	15.9660	15.9840	15.9900	16.0580
M1620BU	16.00	18.00	20.00	18.0000	18.0180	15.9660	15.9840	15.9900	16.0580
M1625BU	16.00	18.00	25.00	18.0000	18.0180	15.9660	15.940	15.9900	16.0580
M1720BU*	17.00	19.00	20.00	19.0000	19.0210	16.9660	16.9840	16.9900	17.0610
M1815BU	18.00	20.00	15.00	20.0000	20.0210	17.9660	17.9840	17.9900	18.0610
M1820BU	18.00	20.00	20.00	20.0000	20.0210	17.9660	17.9840	17.9900	18.0610
M1825BU	18.00	20.00	25.00	20.0000	20.0210	17.9660	17.9840	17.9900	18.0610

** When installed in a rigid housing.

*When current inventory is depleted, these sizes will be supplied on special order basis only. Minimum order quantities may apply.

Length Size	Tolerance
Up to and including 10 mm I.D.±0.38 mm
Above 10 mm I.D.±0.25 mm



"BU" Dry Lubricant Bearings Metric Sizes

PART NUMBER	NOMINAL SIZES			RECOMMENDED				INSTALLED BEARING I.D.**	
				HOUSING BORE		SHAFT DIAMETER			
	I.D.	O.D.	LENGTH	Min.	Max.	Min.	Max.	Min.	Max.
M2015BU	20.00	23.00	15.00	23.0000	23.0210	19.9590	19.9800	19.9900	20.0620
M2020BU	20.00	23.00	20.00	23.0000	23.0210	19.9590	19.9800	19.9900	20.0620
M2025BU	20.00	23.00	25.00	23.0000	23.0210	19.9590	19.9800	19.9900	20.0620
M2030BU	20.00	23.00	30.00	23.0000	23.0210	19.9590	19.9800	19.9900	20.0620
M2215BU	22.00	25.00	15.00	25.0000	25.0210	21.9590	21.9800	21.9900	22.0710
M2220BU	22.00	25.00	20.00	25.0000	25.0210	21.9590	21.9800	21.9900	22.0710
M2225BU	22.00	25.00	25.00	25.0000	25.0210	21.9590	21.9800	21.9900	22.0710
M2420BU*	24.00	27.00	20.00	27.0000	27.0210	23.9590	23.9800	23.9900	24.0710
M2425BU	24.00	27.00	25.00	27.0000	27.0210	23.9590	23.9800	23.9900	24.0710
M2430BU	24.00	27.00	30.00	27.0000	27.0210	23.9590	23.9800	23.9900	24.0710
M2515BU	25.00	28.00	15.00	28.0000	28.0210	24.9590	24.9800	24.9900	25.0710
M2520BU	25.00	28.00	20.00	28.0000	28.0210	24.9590	24.9800	24.9900	25.0710
M2525BU	25.00	28.00	25.00	28.0000	28.0210	24.9590	24.9800	24.9900	25.0710
M2530BU	25.00	28.00	30.00	28.0000	28.0210	24.9590	24.9800	24.9900	25.0710
M2550BU	25.00	28.00	50.00	28.0000	28.0210	24.9590	24.9800	24.9900	25.0710
M2820BU	28.00	32.00	20.00	32.0000	32.0250	27.9590	27.9800	27.9900	28.0850
M2830BU	28.00	32.00	30.00	32.0000	32.0250	27.9590	27.9800	27.9900	28.0850
M3020BU	30.00	34.00	20.00	34.0000	34.0250	29.9590	29.9800	29.9900	30.0850
M3025BU	30.00	34.00	25.00	34.0000	34.0250	29.9590	29.9800	29.9900	30.0850
M3030BU	30.00	34.00	30.00	34.0000	34.0250	29.9590	29.9800	29.9900	30.0850
M3040BU	30.00	34.00	40.00	34.0000	34.0250	29.9590	29.9800	29.9900	30.0850
M3240BU	32.00	36.00	40.00	36.0000	36.0250	31.9500	31.9750	31.9900	32.0850
M3520BU	35.00	39.00	20.00	39.0000	39.0250	34.9500	34.9750	34.9900	35.0850
M3530BU	35.00	39.00	30.00	39.0000	39.0250	34.9500	34.9750	34.9900	35.0850
M3550BU	35.00	39.00	50.00	39.0000	39.0250	34.9500	34.9750	34.9900	35.0850
M4020BU	40.00	44.00	20.00	44.0000	44.0250	39.9500	39.9750	39.9900	40.0850
M4030BU	40.00	44.00	30.00	44.0000	44.0250	39.9500	39.9750	39.9900	40.0850
M4040BU	40.00	44.00	40.00	44.0000	44.0250	39.9500	39.9750	39.9900	40.0850
M4050BU	40.00	44.00	50.00	44.0000	44.0250	39.9500	39.9750	39.9900	40.0850
M4530BU	45.00	50.00	30.00	50.0000	50.0250	44.9500	44.9750	44.9900	45.1050
M4550BU	45.00	50.00	50.00	50.0000	50.0250	44.9500	44.9750	44.9900	45.1050
M5040BU	50.00	55.00	40.00	55.0000	55.0300	49.9500	49.9750	49.9900	50.1100
M5060BU	50.00	55.00	60.00	55.0000	55.0300	49.9500	49.9750	49.9900	50.1100

** When installed in a rigid housing.

*When current inventory is depleted, these sizes will be supplied on special order basis only. Minimum order quantities may apply.

Length Size	Tolerance
Up to and including 10 mm I.D.	±0.38 mm
Above 10 mm I.D.	±0.25 mm

If you require any further assistance, please call: 419-866-7000
or email: buntinginfo@buntingbearings.com

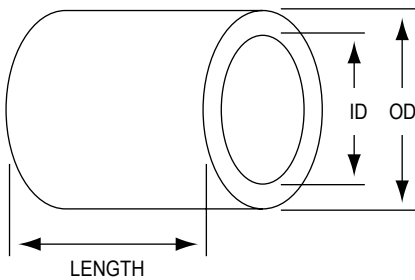
Bunting VESPEL® Precision Machined Bearings

VESPEL® - The top performing bearing. Vespel® bearings have capabilities of high speed, load, and temperature. Bunting offers a wide range of sizes as standard, off the shelf along with a full range of special, made to order sizes.

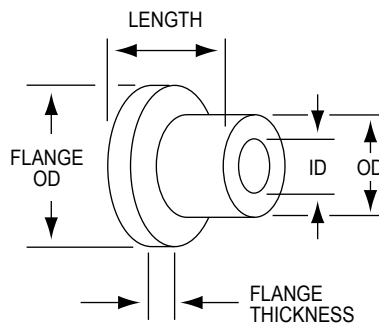
Vespel® bearings are made from polyimide resins to combine the best characteristics of plastics, metals, and ceramics. Vespel® resists wear and fights creep; properties that allow them to survive a broad range of conditions, particularly where elevated speeds and high loads present problems.

Temperature range: -400°F/+550°F

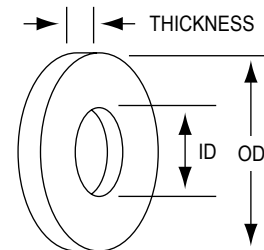
**PLAIN
BEARINGS**



**FLANGED
BEARINGS**



**THRUST
WASHERS**





VESPEL®
Sleeve (Plain) Bearings

PART NUMBER	NOMINAL SIZES			I.D. Min.	I.D. Max.	O.D. Min.	O.D. Max.	LENGTH ±0.005"	RECOMMENDED HOUSING BORE +0.003"/+0.005"
	I.D.	X	O.D.						
BVS030504	3/16	X	5/16	0.1910	0.1920	0.3135	0.3145	1/4	0.3125
BVS030506	3/16	X	5/16	0.1910	0.1920	0.3135	0.3145	3/8	0.3125
BVS030508*	3/16	X	5/16	0.1910	0.1920	0.3135	0.3145	1/2	0.3125
BVS040504	1/4	X	5/16	0.2545	0.2555	0.3135	0.3145	1/4	0.3125
BVS040512*	1/4	X	5/16	0.2545	0.2555	0.3135	0.3145	3/4	0.3125
BVS040604*	1/4	X	3/8	0.2545	0.2555	0.3760	0.3770	1/4	0.3750
BVS040606*	1/4	X	3/8	0.2545	0.2555	0.3760	0.3770	3/8	0.3750
BVS040608*	1/4	X	3/8	0.2545	0.2555	0.3760	0.3770	1/2	0.3750
BVS040612*	1/4	X	3/8	0.2545	0.2555	0.3760	0.3770	3/4	0.3750
BVS040616	1/4	X	3/8	0.2545	0.2555	0.3760	0.3770	1	0.3750
BVS040706*	1/4	X	7/16	0.2550	0.2560	0.4390	0.4400	3/8	0.4375
BVS050608*	5/16	X	3/8	0.3180	0.3190	0.3760	0.3770	1/2	0.3750
BVS050708*	5/16	X	7/16	0.3185	0.3195	0.4390	0.4400	1/2	0.4378
BVS050806	5/16	X	1/2	0.3185	0.3195	0.5015	0.5025	3/8	0.5000
BVS050812*	5/16	X	1/2	0.3185	0.3195	0.5015	0.5025	3/4	0.5000
BVS060804*	3/8	X	1/2	0.3815	0.3825	0.5015	0.5025	1/4	0.5000
BVS060806	3/8	X	1/2	0.3815	0.3825	0.5015	0.5025	3/8	0.5000
BVS060808	3/8	X	1/2	0.3815	0.3825	0.5015	0.5025	1/2	0.5000
BVS060810*	3/8	X	1/2	0.3815	0.3825	0.5015	0.5025	5/8	0.5000
BVS060812	3/8	X	1/2	0.3815	0.3825	0.5015	0.5025	3/4	0.5000
BVS060816	3/8	X	1/2	0.3815	0.3825	0.5015	0.5025	1	0.5000
BVS060820*	3/8	X	1/2	0.3815	0.3825	0.5015	0.5025	1 1/4	0.5000
BVS060906*	3/8	X	9/16	0.3815	0.3825	0.5640	0.5650	3/8	0.5625
BVS061012*	3/8	X	5/8	0.3820	0.3830	0.6270	0.6280	3/4	0.6250
BVS081006*	1/2	X	5/8	0.5085	0.5095	0.6270	0.6280	3/8	0.6250
BVS081008	1/2	X	5/8	0.5085	0.5095	0.6270	0.6280	1/2	0.6250
BVS081010	1/2	X	5/8	0.5085	0.5095	0.6270	0.6280	5/8	0.6250
BVS081012	1/2	X	5/8	0.5085	0.5095	0.6270	0.6280	3/4	0.6250
BVS081016	1/2	X	5/8	0.5085	0.5095	0.6270	0.6280	1	0.6250
BVS081024	1/2	X	5/8	0.5085	0.5095	0.6270	0.6280	1 1/2	0.6250
BVS081208	1/2	X	3/4	0.5090	0.5100	0.7525	0.7535	1/2	0.7500
BVS081212	1/2	X	3/4	0.5090	0.5100	0.7525	0.7535	3/4	0.7500
BVS081216	1/2	X	3/4	0.5090	0.5100	0.7525	0.7535	1	0.7500
BVS101206	5/8	X	3/4	0.6350	0.6360	0.7525	0.7535	3/8	0.7500
BVS101208	5/8	X	3/4	0.6350	0.6360	0.7525	0.7535	1/2	0.7500
BVS101210	5/8	X	3/4	0.6350	0.6360	0.7525	0.7535	5/8	0.7500
BVS101212	5/8	X	3/4	0.6350	0.6360	0.7525	0.7535	3/4	0.7500
BVS101216	5/8	X	3/4	0.6350	0.6360	0.7525	0.7535	1	0.7500
BVS121412	3/4	X	7/8	0.7625	0.7635	0.8780	0.8790	3/4	0.7500
BVS121416	3/4	X	7/8	0.7625	0.7635	0.8780	0.8790	1	0.7500
BVS121608	3/4	X	1	0.7630	0.7640	1.0035	1.0045	1/2	1.0000
BVS121612	3/4	X	1	0.7630	0.7640	1.0035	1.0045	3/4	1.0000
BVS121616	3/4	X	1	0.7630	0.7640	1.0035	1.0045	1	1.0000
BVS121620	3/4	X	1	0.7630	0.7640	1.0035	1.0045	1 1/4	1.0000
BVS121624	3/4	X	1	0.7630	0.7640	1.0035	1.0045	1 1/2	1.0000
BVS161816	1	X	1 1/8	1.0160	1.0170	1.1290	1.1300	1	1.1250
BVS162012	1	X	1 1/4	1.0165	1.0175	1.2545	1.2555	3/4	1.2500
BVS162016	1	X	1 1/4	1.0165	1.0175	1.2545	1.2555	1	1.2500
BVS162020	1	X	1 1/4	1.0165	1.0175	1.2545	1.2555	1 1/4	1.2500
BVS162024	1	X	1 1/4	1.0165	1.0175	1.2545	1.2555	1 1/2	1.2500

*When current inventory is depleted, these sizes will be supplied on special order basis only. Minimum order quantities may apply.

If you require any further assistance, please call: 419-866-7000
or email: buntinginfo@buntingbearings.com



**VESPEL®
Flanged Bearings**

PART NUMBER	NOMINAL SIZES			I.D. Min.	I.D. Max.	O.D. Min.	O.D. Max.	LENGTH ±0.005"	FLANGE		RECOMMENDED HOUSING BORE +0.003"/+0.005"
									O.D.	O.D.	
	I.D.	O.D.	X						±0.005"	±0.002"	
BVF030504	3/16	X	5/16	0.1910	0.1920	0.3135	0.3145	1/4	7/16	1/16	0.3125
BVF030505*	3/16	X	5/16	0.1910	0.1920	0.3135	0.3145	5/16	7/16	1/16	0.3125
BVF040603	1/4	X	3/8	0.2545	0.2555	0.3760	0.3770	3/16	1/2	1/16	0.3750
BVF040604*	1/4	X	3/8	0.2545	0.2555	0.3760	0.3770	1/4	1/2	1/16	0.3750
BVF040606	1/4	X	3/8	0.2545	0.2555	0.3760	0.3770	3/8	1/2	1/16	0.3750
BVF040608	1/4	X	3/8	0.2545	0.2555	0.3760	0.3770	1/2	1/2	1/16	0.3750
BVF040610	1/4	X	3/8	0.2545	0.2555	0.3760	0.3770	5/8	1/2	1/16	0.3750
BVF050706*	5/16	X	7/16	0.3185	0.3195	0.4390	0.4400	3/8	9/16	1/16	0.4375
BVF050806	5/16	X	1/2	0.3185	0.3195	0.5015	0.5025	3/8	11/16	1/16	0.5000
BVF060804*	3/8	X	1/2	0.3815	0.3825	0.5015	0.5025	1/4	5/8	1/16	0.5000
BVF060805	3/8	X	1/2	0.3815	0.3825	0.5015	0.5025	5/16	5/8	1/16	0.5000
BVF060806	3/8	X	1/2	0.3815	0.3825	0.5015	0.5025	3/8	5/8	1/16	0.5000
BVF060808	3/8	X	1/2	0.3815	0.3825	0.5015	0.5025	1/2	5/8	1/16	0.5000
BVF060812	3/8	X	1/2	0.3815	0.3825	0.5015	0.5025	3/4	5/8	1/16	0.5000
BVF121408*	3/4	X	7/8	0.7625	0.7635	0.8780	0.8790	1/2	1 1/8	1/8	0.8750
BVF121612	3/4	X	1	0.7630	0.7640	1.0035	1.0045	3/4	1 1/4	3/16	1.0000

*When current inventory is depleted, these sizes will be supplied on special order basis only. Minimum order quantities may apply.



**VESPEL®
Thrust Washers**

PART NUMBER	NOMINAL SIZES			I.D. Min.	I.D. Max.	O.D. Min.	O.D. Max.	THICKNESS ±0.003"
	I.D.	O.D.	X					
BVT040801*	1/4	X	1/2	0.2560	0.2660	0.4950	0.5050	1/16
BVT061001	3/8	X	5/8	0.3830	0.3930	0.6200	0.6300	1/16
BVT061201*	3/8	X	3/4	0.3830	0.3930	0.7450	0.7550	1/16
BVT081201*	1/2	X	3/4	0.5100	0.5200	0.7450	0.7550	1/16
BVT081601*	1/2	X	1	0.5100	0.5200	0.9950	1.0050	1/16
BVT101601*	5/8	X	1	0.6360	0.6460	0.9950	1.0050	1/16
BVT101602*	5/8	X	1	0.6360	0.6460	0.9950	1.0050	1/8
BVT102002*	5/8	X	1 1/4	0.6360	0.6460	1.2450	1.2550	1/8
BVT122001	3/4	X	1 1/4	0.7630	0.7730	1.2450	1.2550	1/16
BVT122002	3/4	X	1 1/4	0.7630	0.7730	1.2450	1.2550	1/8
BVT162402	1	X	1 1/2	1.0170	1.0270	1.4950	1.5050	1/8
BVT163202*	1	X	2	1.0170	1.0270	1.9950	2.0050	1/8
BVT203201*	1 1/4	X	2	1.2680	1.2780	1.9950	2.0050	1/16

*When current inventory is depleted, these sizes will be supplied on special order basis only. Minimum order quantities may apply.

Permanent Mold Cast Products

BUNTING Permanent Mold Castings and Products are designed to produce high strength non-ferrous castings with higher density, closer dimensional tolerances, and smoother finishes than parts made by sand-cast methods. Engineers have found over the years that close tolerances in the "as-cast" product can greatly reduce or eliminate secondary finishing cost. Weight reduction is also a major benefit of utilizing permanent mold castings. BUNTING also offers complete secondary machining where required, as well as capabilities in assembling a finished product. We will assist you in material recommendation and engineering considerations on form, fit, and function. If needed, we have excellent outside sources for plating, heat-treating, and powder coating.



Major Benefits of Permanent Mold Process

Enhanced Physical Properties

Rapid solidification creates a fine grain structure with superior metallurgical and mechanical properties.

Smooth Mold Filling

Gating design allows for smooth mold filling which eliminates defects caused by turbulence and inclusions that are inherent to sand castings.

Near Net Shape

The process allows for intricate shapes to be cast, which in many cases eliminates additional machining or assembly.

Excellent Surface Finishes

Cast surface finishes are typically 100 to 200 RMS, and the dense surface structure allows for easy polishing.

Dimensional Control and Low Casting Defects

Metal dies allow for close dimensional tolerances with typical part-to-part variation of only ± 0.002 ". Metal dies have far fewer casting variables than sand-casting, which makes the process much more uniform from part-to-part and run-to-run. Casting defects caused by sand inclusions, mold shift, and other variables are eliminated.

Section Thickness

Sections as thin as 1/8" can be cast in typical applications, with some as thin as 0.090" depending on the design. Sections as thick as 2" are also possible.

Cast Holes

Metal cores as small as 0.187" can be cast into the parts. Tolerances as close as +/-0.003" can be held which in many cases can eliminate the need for secondary drilling operations.

Pressure Tight

Rapid solidification produces a very sound casting with no micro-porosity that is typically found in sand castings.

Metal Inserts

Metal inserts (typically steel) can be inserted into the dies and then molten metal can be cast around the insert. This is ideal for inserting shafts into pump impellers and all types of arms and handles.

Environmentally Friendly

With the permanent mold process, all gates and scrap are recycled through our own furnaces. There is no contaminated sand to dispose of and typical permanent mold alloys contain no lead.

Advantages Versus Sand Castings:

- Weight reduction by taking advantage of the higher physical properties and thinner sections.
- Greatly reduced scrap and rework costs.
- Elimination of machining, drilling and/or assembly operations.
- Reduction of finishing and polishing operations.

Bunting Permanent Mold Process

- State of the art electric melting furnaces produce high purity, clean, consistent molten metal heats.
- An Emission Spectrometer provides accurate chemical analysis of each heat produced.
- Semi-automatic molding machines use programmable controllers to produce extremely consistent casting results.
- High quality permanent mold dies provide rapid solidification and precise dimensional control.
- Trimming room equipment for rapid removal of gates, risers, and flash.
- Trim dies provide for fast, accurate methods of removing gates, risers, and flash.
- Complete machining capabilities give Bunting the ability to provide our customers with completely finished parts and assemblies.
- CNC machining center provides for fast, precision machining operations.
- Coordinate measuring machine provides for fast, accurate measurements of all casting and machining requirements.
- Mechanical testing equipment assures Bunting products are of the highest quality materials.
- SPC control charts and capability studies are used throughout the plant to assure parts of the highest quality are produced. Process instructions provide each of our operators with critical information during each step of the manufacturing process.

Bunting ECO Products

Eco Friendly Alloys

Bunting Bearings is endeavoring to reduce its carbon footprint by using the world's resources as wisely as we can. This is enabling us to lower our consumption of gas, electricity and raw material.

Bunting Green Policy

Bunting Bearings manufactures a complete range of high performance environmentally friendly bearing solutions for industrial markets such as Marine, Medical, Utilities, Oil and other commercial markets. Our products include a wide variety of lead-free and plastic products made from the highest quality metals and polymers.

Non-lead **“GREEN”** alloys:

- **C89835 Copper-Bismuth Bronze**
Federalloy III (932 Version)
- **C90300 Tin Bronze - Navy G**
QQC-390B Type II and Type III CDA 903 SAE 620 88-8-0-4 ASTM B505 ASTM B271
- **C90700 Tin Bronze**
CDA 907 SAE 65 89-11 ASTM B505 ASTM B271
- **C86300 Manganese Bronze**
CDA 863 SAE 430B ASTM B505 ASTM B271
- **C95400 Aluminum Bronze**
CDA 954 9C ASTM B505 ASTM B271
- **C95500 Nickel Aluminum Bronze**
CDA 955 9D ASTM B505 ASTM B271
- **C95900 Aluminum Bronze**
CDA 959 ASTM B505
- **Powdered Metal SAE 841 Bronze ECO**

NOTES



COMPANY HISTORY

Bunting has grown to become one of the largest producers of bronze bearings in the United States. We are unmatched in terms of quality and customer service and provide the optimal solutions for your industry.

Historical Points:

- **1907** - Bunting Brass & Bronze was founded in Alliance, OH
- **1909** - Bunting Brass & Bronze moved from Alliance, OH, to Toledo, OH
- **1949** - Barnes Manufacturing, later renamed B-Mold, opened in Mansfield, OH
- **1952** - Apex Bearing was founded in Hudson, OH
- **1955** - Bunting Brass & Bronze acquired Detroit Sintered Metals which operated as a subsidiary until later
- **1964** - Detroit Sintered Metals began operating as a facility of Bunting Brass & Bronze in Kalamazoo, MI
- **1968** - NL Industries purchased Bunting Brass & Bronze letting it retain its name
- **1972** - Eagle-Picher Bearings and Metals Division acquired Masten Corporation and its subsidiary, Apex Bearing
- **1981** - Eagle-Picher acquired Bunting Brass & Bronze from NL Industries
- **1982** - Eagle-Picher Bearings & Metals Division was consolidated and renamed Eagle-Picher Bearings Division
- **1989** - Four Eagle-Picher Bearing Division officers purchased the division, naming it Bunting Bearings Corp.
- **1990** - The Holland, OH, facility was built to be the new corporate offices and national warehouse
- **1998** - A 56,000 sq. ft. addition was made to the Holland facility and machining operations from Delta and Mansfield were consolidated into Holland
- **2004** - Bunting Bearings Corp. was bought by Bearing Acquisition, LLC, and renamed Bunting Bearings, LLC





BUNTING BEARINGS LLC

CORPORATE HEADQUARTERS

Holland, Ohio

1001 Holland Park Blvd.
P.O. Box 729
Holland, Ohio 43528
Phone: 419-866-7000
Fax: 419-866-0653

REGIONAL SALES/SERVICE CENTERS

Holland, Ohio

1001 Holland Park Blvd.
P.O. Box 729
Holland, Ohio 43528
Phone: 419-866-7000
Fax: 419-866-0653

Houston, Texas

9700 Wallisville Rd., Suite D
Houston, Texas 77013
Phone: 713-672-7098
Fax: 713-672-0462

MANUFACTURING LOCATIONS

Delta, Ohio

200 Van Buren St.
P.O. Box 37
Delta, Ohio 43515
Phone: 419-866-7000
Fax: 419-866-0653

Holland, Ohio

1001 Holland Park Blvd.
P.O. Box 729
Holland, Ohio 43528
Phone: 419-866-7000
Fax: 419-866-0653

Portage, Michigan

4252 E. Kilgore Road
Portage, Michigan 49002
Phone: 269-345-8691
Fax: 269-345-0931

Mansfield, Ohio

153 E. 5th St.
P.O. Box 1053
Mansfield, Ohio 44902
Phone: 419-522-3323/Fax: 419-522-6011

E-mail: bunting@buntingbearings.com
Internet: www.buntingbearings.com

